

# LAGONDA



## PARTS CATALOGUE

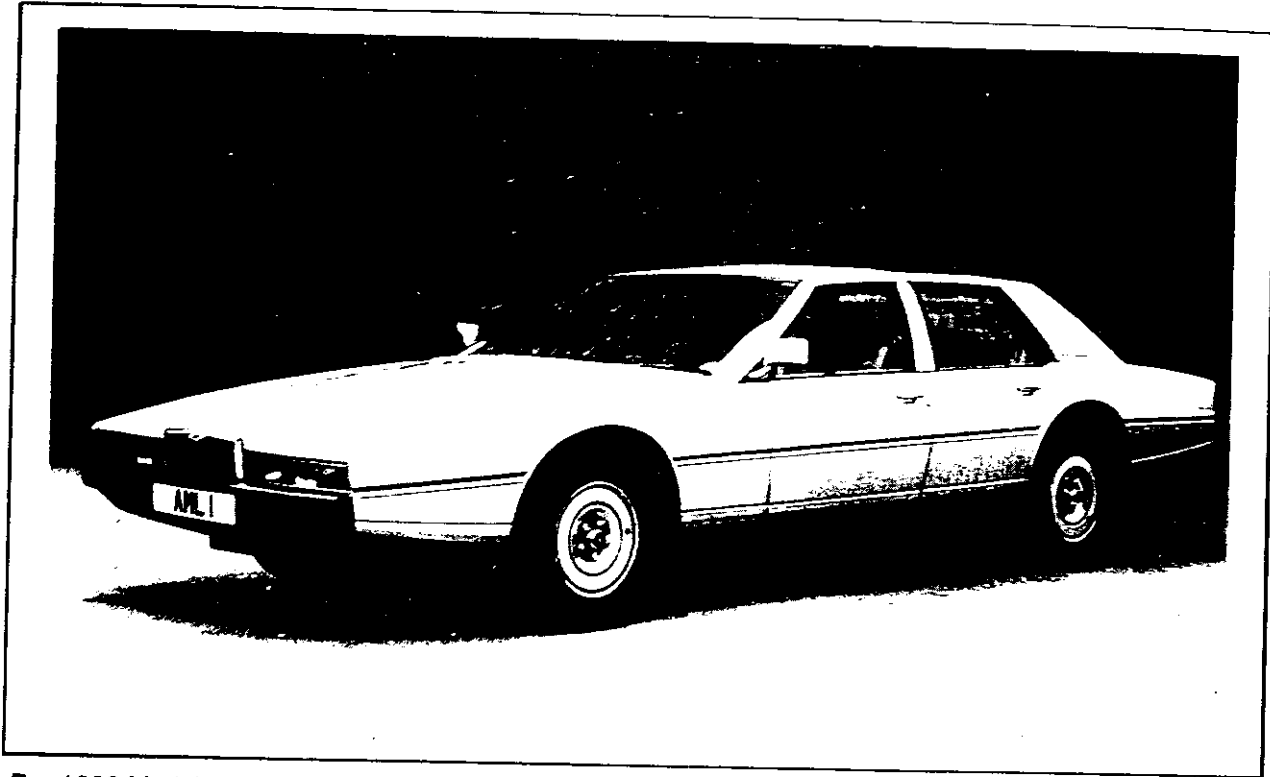
ASTON MARTIN LAGONDA LIMITED  
NEWPORT PAGNELL  
BUCKS. MK16 9AN  
ENGLAND

Telephone : 0908 610620  
Parts Department Fax : 0908 615467

**MODEL IDENTIFICATION**



Lagonda



*Pre 1988 Model*



*Post 1988 Model*



This parts catalogue is divided into nine main sections numbered 1 to 9. Each main section is again divided into sub-sections numbered 1.1, 1.2, 1.3 etc. In certain instances, a further breakdown of the sub-section is required and the numbers are 1.4A, 1.4B etc.

On each of the left hand pages of the catalogue is an exploded drawing showing the items which together make up the assembly or system covered by the sub-section. Each item is identified by an illustration number.

The right hand pages list the replacement parts by illustration number, part number and description, together with any qualifying remarks.

Each list of parts and the associated exploded drawing covers variations of the Lagonda model, but if the variation for a particular system or component is sufficiently different to warrant a separate illustration, it will be contained within its own sub-section.

At the top of each page are the identification details, i.e. sub-section number, main section title and sub-section title.

At the bottom of each page are the page number, the publication number, the date of compilation and the print quantity.

### HOW TO USE THE CATALOGUE

To find the part number of a particular component :

1. Establish the sub-section in which it is contained by reference to the Contents page.
2. Examine the exploded drawing which constitutes the left hand page and identify the illustration number of the required part.  
*Note : In a few instances it may be available only as a part of an assembly.*
3. Find the illustration number in the left hand column of the parts lists on the right hand pages
4. Establish the part number from the second column.
5. Verify the correctness of the part by reading the description in the third column.
6. Note the quantity from the fourth column.
7. Check the "Remarks" column for any other relevant information.

#### **Example :**

*To find the part number of an oil drain plug :-*

1. *Establish the section and sub-section : Section 1 - Engine, Sub-section 5 - Oil pump and sump*
2. *Identify the illustration number by referring to the exploded drawing : Illus. No. 13*
3. *Find the illustration number in the parts list and establish the part number : 691683*
4. *Verify the description : Oil drain plug, 1/2in. BSP, magnetic*
5. *Check the quantity : 2*
6. *Check the "Remarks" column : nil*

# DISTRIBUTORS AND DEALERS ORDERING PROCEDURE



The address to which orders for replacement parts should be sent is :

ASTON MARTIN LAGONDA LIMITED  
PARTS DEPARTMENT,  
TICKFORD STREET,  
NEWPORT PAGNELL,  
BUCKINGHAMSHIRE, MK16 9AN.

Telephone : 0908 610620  
Parts Department Fax : 0908 615467  
Telex : 82341

Delays in supplying parts are often caused by incorrect or insufficient details being received.

The smooth and rapid progress of orders is facilitated by the correct use of official Aston Martin Lagonda Limited order forms used by the Company. Orders received on the approved forms will take precedence over requests for parts not so documented.

The chassis and engine numbers, including all letter prefixes and suffixes of the car concerned, must be quoted on every order. This information is located on the car identification plate, situated on a wheel arch in the engine compartment, on the forward chassis member under the front right hand wheel arch or, on USA cars, visible through the windscreen on the top left hand side of the dashboard.

The full part number and description of the parts must always be given and if doubt exists, a pattern or sketch should be forwarded with the order to assist identification. Damaged or broken parts sent as patterns will not be returned unless special instructions are received to this effect.

Always specify the mode of transport for delivery of parts, i.e. airmail, air freight, post, road or collection by own transport.

A typical example of the information to be supplied is :

From: ( Distributor Name )

Re: 1979 Lagonda Chassis No. LOR/13029 Engine No. V540/3029

Item 1	06.21320	Cylinder Head Gasket	2off
Item 2	06.14308	Exhaust Valve Guide	8off
Item 3	06.14515	Exhaust Valve	8off

Despatch to ( name )  
( address )

Mode of Transport

Date.....Signature.....

Confirmation orders should be clearly marked to avoid the possibility of duplication.

Prices of replacement parts are shown in the Parts Price List, held by Distributors. Parts Price Amendments are issued periodically advising price changes. However, since prices of replacement parts are subject to alteration without notice, all goods will be invoiced at the prices ruling at the time of despatch.

## NOTE

Since the policy of the Manufacturers, Aston Martin Lagonda Limited is one of continued development, the Company reserves the right to alter specifications at any time without notice.

The name Lagonda and the associated wings device are registered by the Company throughout the world.

## COPYRIGHT

The reproduction, storage or transmission of any part of this manual, either in whole or in part, is strictly forbidden without the prior written permission of Aston Martin Lagonda Limited.



Page Number	Item Number	
1.1.1	1+	01.25839 Cylinder Block assembly, studded Also used on Swiss and Swedish cars from the end of 1988
1.2.1	3 5+	020.002.0127 Small end bush: use 02.26830 Small end bush 02.25649 Piston assembly: Also used on Swedish cars from the end of 1988
	6	080.002.0119 Gudgeon pin: Supplied with piston assemblies only 090.002.0102 Gudgeon pin: Supplied with piston assemblies only
1.4B.1	10	07.21021 Belt - water pump/air-injection pump Also used on Swiss and Swedish cars from the end of 1988
1.9B.2	55+	09.25299 Alternator: Use later alternator 09.26764



**1**

ENGINE

**2**

FUEL, EMISSION CONTROL, EXHAUST

**3**

TRANSMISSION

**4**

SUSPENSION AND STEERING

**5**

BRAKES WHEELS AND TYRES

**6**

ELECTRICS

**7**

CHASSIS AND BODY

**8**

AIR CONDITIONING

**9**

MISCELLANEOUS

**10**





<b>ENGINE</b>	<b>1</b>
<b>Cylinder Block</b>	<b>1.1</b>
<b>Crankshaft Pistons and Rods</b>	<b>1.2</b>
<b>Cylinder Head</b>	<b>1.3</b>
<b>Timing Case</b>	<b>1.4</b>
<b>Oil Pump and Sump</b>	<b>1.5</b>
<b>Oil Cooling System</b>	<b>1.6</b>
<b>Water Cooling System</b>	<b>1.7</b>
<b>Engine Mountings</b>	<b>1.8</b>
<b>Engine Electrics</b>	<b>1.9</b>

C

C

C

C

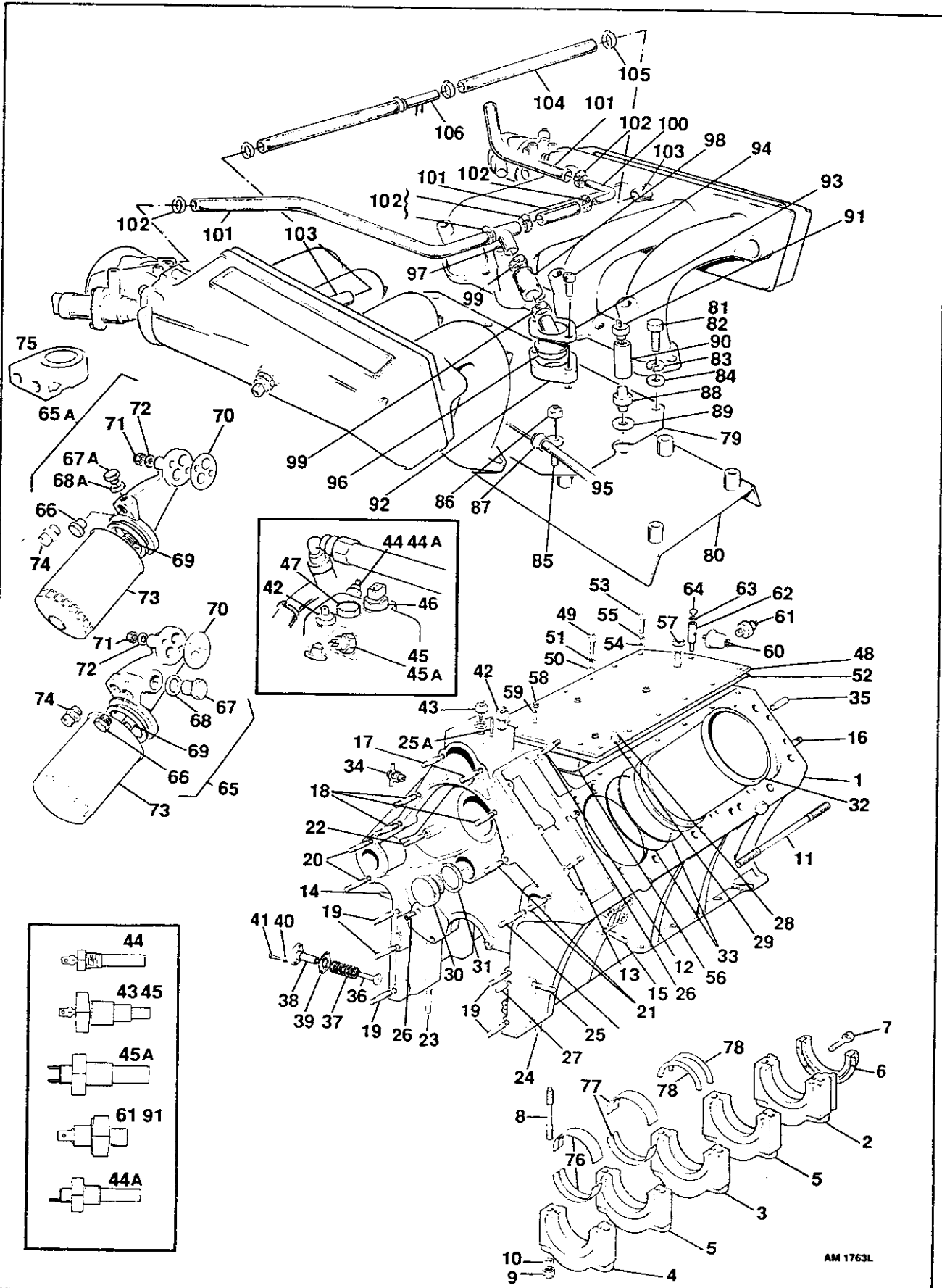
# **SECTION 1**

## **ENGINE**

# ENGINE



## Cylinder Block





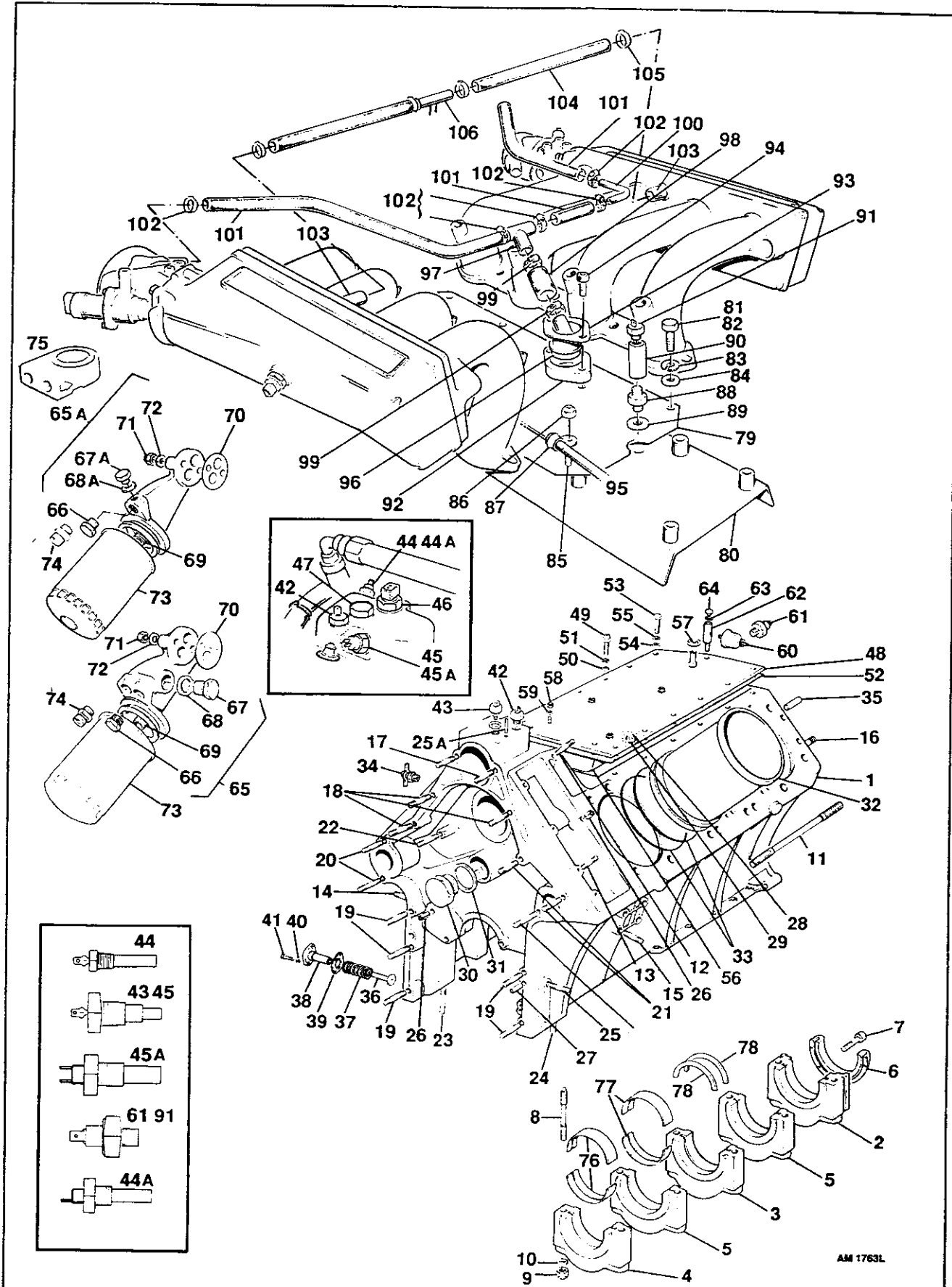
Cylinder Block

Illus No.	Part No.	Description	Qty.	Remarks
1	095.001.0001	CYLINDER BLOCK ASSEMBLY, STUDDED	1	Emission control cars, } Carb't cars except Canadian
-	01.17879	CYLINDER BLOCK ASSEMBLY, STUDDED	1	
-	01.25840	CYLINDER BLOCK ASSEMBLY, STUDDED	1	Non-USA spec. cars, } 3-screen instr.
-	01.25838	CYLINDER BLOCK ASSEMBLY, STUDDED	1	
-	01.25841	CYLINDER BLOCK ASSEMBLY, STUDDED	1	Non-USA spec. cars, } EFI cars vac-flourescent instr.
-	01.25839	CYLINDER BLOCK ASSEMBLY, STUDDED	1	
2		Main bearing cap, rear	1	} Not supplied as separate items
3		Main bearing cap, centre	1	
4		Main bearing cap, front	1	
5		Main bearing cap, intermediate	2	
6		Bearing seal, rear	1	
7	691637	Screw, socket, button head, 2BA x 5/8in. long	8	4 on later cars
-	692457	Dowel, 11/32in. x 1in. long	2	
-	692459	Loctite Superflex SL, white silicone	as reqd	
-	692576	Loctite, Grade AVV	as reqd	
-	694178	Loctite sealer	as reqd	
8	080.001.0121	Stud, main bearing	10	
9	691147	Nut, Nyloc, 1/2in. UNF	10	
10	119474	Washer, plain, 1/2in.	10	
11	01.13639	Stud, 1/2in. UNC/UNF, black	20	Cylinder head Later cars
-	095.001.0105	Stud, 1/2in. UNC/UNF, gold	20	} Cylinder head Early carburettor cars
12	691056	Stud, 3/8in. UNC/UNF x 2.47in. long	2	
13	692027	Stud, 5/16in. UNC/UNF x 3.0in. long	8	Cylinder head
14	691056	Stud, 3/8in. UNC/UNF x 2.47in. long	2	Oil filter adaptor
15	690999	Stud, 5/16in. UNC/UNF x 1.25in. long	8	Engine mounting
16	691413	Stud, 7/16in. UNC/UNF x 2.125in. long	4	Bell housing
17	691068	Stud, 5/16in. UNC/UNF x 2.95in. long	2	Front cover
-	123193	Stud, 5/16in. UNC/UNF x 3.35in. long	2	Front cover, USA spec. cars, with header tank spacer
18	691113	Stud, 5/16in. UNC/UNF x 2.7in. long	3	Front cover. 1 only on Non-USA spec. EFI block. 5 on emission carburettor cylinder block
19	691048	Stud, 5/16in. UNC/UNF x 2.1in. long	5	Front cover. 4 on std. EFI block None on USA spec. EFI block
20	691438	Stud, 5/16in. UNC/UNF x 2.88in. long	3	Front cover/alternator. 2 on EFI block.
21	691597	Stud, 5/16in. UNC/UNF x 3.1in. long	2	Front cover/air conditioning bracket. Not on emission control cars
22	125412	Stud, 1/4in. UNC/UNF x 1.2in. long	2	Timing chain rubbing strip
23	691113	Stud, 5/16in. UNC/UNF x 2.7in. long	2	Oil pump
24	691572	Stud, 5/16in. UNC/UNF x 1.93in. long	2	Oil pump
25	125412	Stud, 1/4in. UNC/UNF x 1.2in. long	2	Steering pump/EFI alternator bracket

# ENGINE



## Cylinder Block



AM 1763L



## ENGINE

## Cylinder Block

Illus No.	Part Number	Description	Qty	Remarks
25A	691592	Stud, 1/4 in. UNC/UNF x 0.88in. long	1	} Carburettor cars only. Alternator cable to cylinder block
-	020.037.0192	Clip	1	
-	119470	Washer, plain, 1/4in.	1	
-	123116	Nut, Nyloc, 1/4in. UNF	1	
26	691105	Ring dowel	4	} Cylinder block/cylinder head Front cover
-	690822	Tension pin, rear	2	
27	123111	Dowel	2	} Alternatives
28	690834	Plug, 5/8in. BSP	2	
29	690835	Washer, 5/8in. BSP	2	
30	095.001.0107	Plug, 3/4in. BSP	2	
31	691564	Washer, copper, 3/4in. BSP	2	
-	691731	Hermetite, green	as reqd	
32	01.26777	Cylinder liner, grade A	8	
-	01.26834	Cylinder liner, grade B	8	
33	080.001.0107	'O' Ring, rubber	16	
34	691487	Water tap, 1/4in. BSP	2	
35	691485	Dowel, 1in. long	2	} Service use only
-	96.17258	Dowel, 1.5in. long	2	
36	080.001.0125	Relief valve	1	Cars up to mid 1981
-	01.17541	Relief valve	1	Cars from mid 1981
-	080.001.0122	Insert, oil pressure relief valve	1	Not used with valve, Pt. No. 01.17541
37	023.001.0133	Spring	1	} Cars with vacuum fluorescent instrumentation Some later cars only
38	023.001.0145	Bush	1	
39	020.001.0147	Joint, bush	1	
-	023.001.0170	Shim	as reqd	
-	080.001.0148	Shim, 0.064in. thick	as reqd	
-	690649	Washer	1	
40	123120	Washer, spring, 3/16in.	2	
41	123122	Screw, 2BA x 5/8in. long	2	
42	89.11389	Thermostat switch, 3/8in. UNC	1	
43	38.14039	Water temperature sender, 5/8in. UNF	1	
44	38.18044	Water temperature sender, 1/8in. NPT	1	Cars from early 1982
44A	37.26296	Water temperature sender, M14. 130° C	1	} Cars with vacuum fluorescent instrumentation
-	693376	Washer, copper, M14	1	
-	694021	Adaptor plug, M14, tapped 1/8in. NPT	1	Some later cars only
45	38.20037	Water temperature switch, 5/8in. UNF	1	Cars with 3-screen instrumentation. Stamped 115A
45A	37.21873	Water temperature switch, 5/8in. UNF	1	Cars with vacuum fluorescent instrumentation
46	08.20004	Water temperature switch, M12	1	Cars with EFI
-	692071	Washer, shakeproof, M16	1	per sender unit for 5/8 in. UNF
-	022.033.0202	Washer, copper	1	per sender unit units only.
-	693059	Blanking plug, M12	1	} For carburettor cars
-	693061	Washer, M12	1	
47	01.18043	Blanking plug, 5/8in. UNF	1	} Carburettor cars
-	022.033.0202	Washer, copper	1	
48	095.001.0111	Cradle plate, vacuum tank	1	
49	095.001.0101	Stud, cradle plate	8	
50	119471	Washer, plain, 5/16in.	8	
51	119481	Washer, spring, 5/16in.	8	
52	095.001.0131	Gasket, cradle plate	1	
53	510407	Bolt, 1/4in. UNC x 7/8in.	6	







# ENGINE

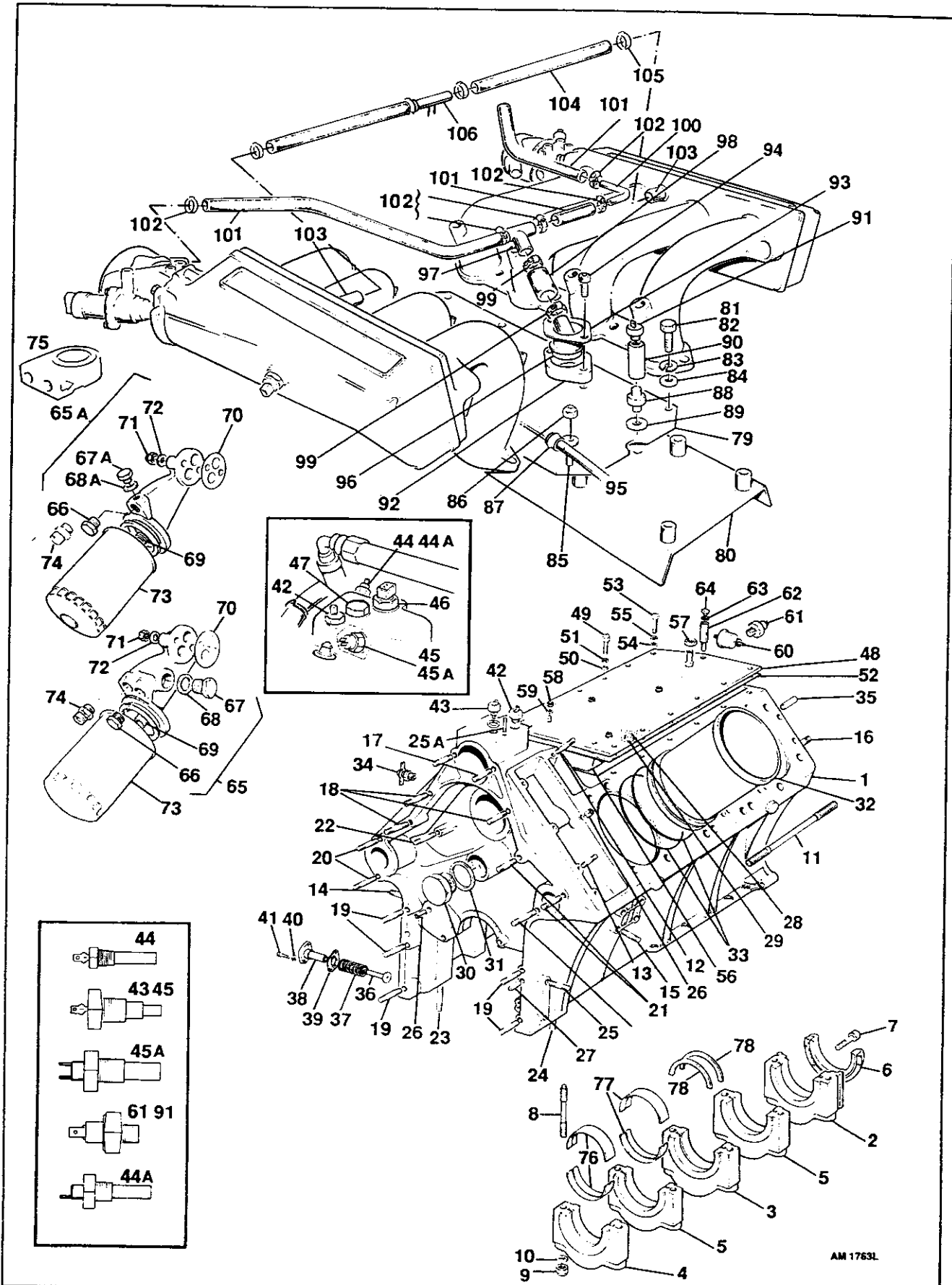
## Cylinder Block

Illus No.	Part No.	Description	Qty.	Remarks	
54	119470	Washer, plain, 1/4in.	6	} Carburettor cars	
55	119480	Washer, spring, 1/4in.	6		
56	095.001.0004	Vacuum reservoir tank assembly	1		
57	692104	Locknut, brass, 3/8in. BSP	1		
-	692004	Seal, RTV, silicone	as reqd		
58	691135	Nut, Nyloc, 1/4in UNF	2		
59	119470	Washer, plain 1/4in.	4		
60	38.14037	Oil pressure sender unit	1		
61	38.20036	Oil pressure switch, 1/8in. NPT	1	Cars with 3-screen instr.	
-	37.21871	Oil pressure sender, 1/8in. NPT	1	Cars with vac-flourescent instrumentation	
-	692133	Loctite superfast pipe sealant	as reqd		
62	01.16275	Adaptor, oil pressure	1	} Emission control engines except Canada	
-	01.17880	Extension pipe	1		
-	01.17881	Sender bracket	1	} Carburettor cars	
-	692609	Seal	1		
-	692610	Locknut, coned	1		
63	692611	Washer, folded, copper	1		
64	692561	Plug, 1/4in. BSP	1		
65	01.19078	Oil filter adaptor assembly	1		Cars to Jan '88
65A	01.26271	Oil filter adaptor assembly	1	Cars from Jan '88	} supplied without filter and restrictor
66	114163	Plug, hex. hd., 1/2in. BSP	1		
67	095.001.0107	Plug	1	Cars up to Jan '88	
67A	692561	Plug, hex. hd., 1/4in. BSP	1	Cars from Jan '88	
68	691564	Washer, sealing, copper	1	Cars up to Jan '88	
68A	01.25801	Washer, sealing	1	Cars from Jan '88	
69	095.001.0108	Union. double-ended	1		
70	080.001.0130	Gasket	1		
71	125594	Nut, Nyloc, 3/8in. UNF	2	} Oil filter adaptor to cylinder block	
72	119472	Washer, plain, 3/8in.	2		
73	095.001.0110	Filter assembly	1		
-	88.12114	Oil filter shield	1	Cars up to Chassis No. 13540	
-	77.14017	Edge seal	1mtr	Cars up to Chassis No. 13540	
74	01.16862	Union restrictor	1	Replaces item No. 66 on Illust. 65A. Cars with 18-row coolers only	
75	44.22854	Adaptor, full flow oil cooling system	1	See section 1.6	
76	080.001.0109	Bearing shell, front/centre/rear, standard, black	6	} Later cars	
-	080.001.0143	Bearing shell, front/centre/rear, standard, red	6		
-	080.001.0144	Bearing shell, front/centre/rear, standard, green	6		
-	080.001.0701	Bearing shell, front/centre/rear, 0.010in. undersize, black	6		
-	080.001.0702	Bearing shell, front/centre/rear, 0.010in. undersize, red	6		
-	080.001.0703	Bearing shell, front/centre/rear, 0.010in. undersize, green	6		

# ENGINE



## Cylinder Block



AM 1763L



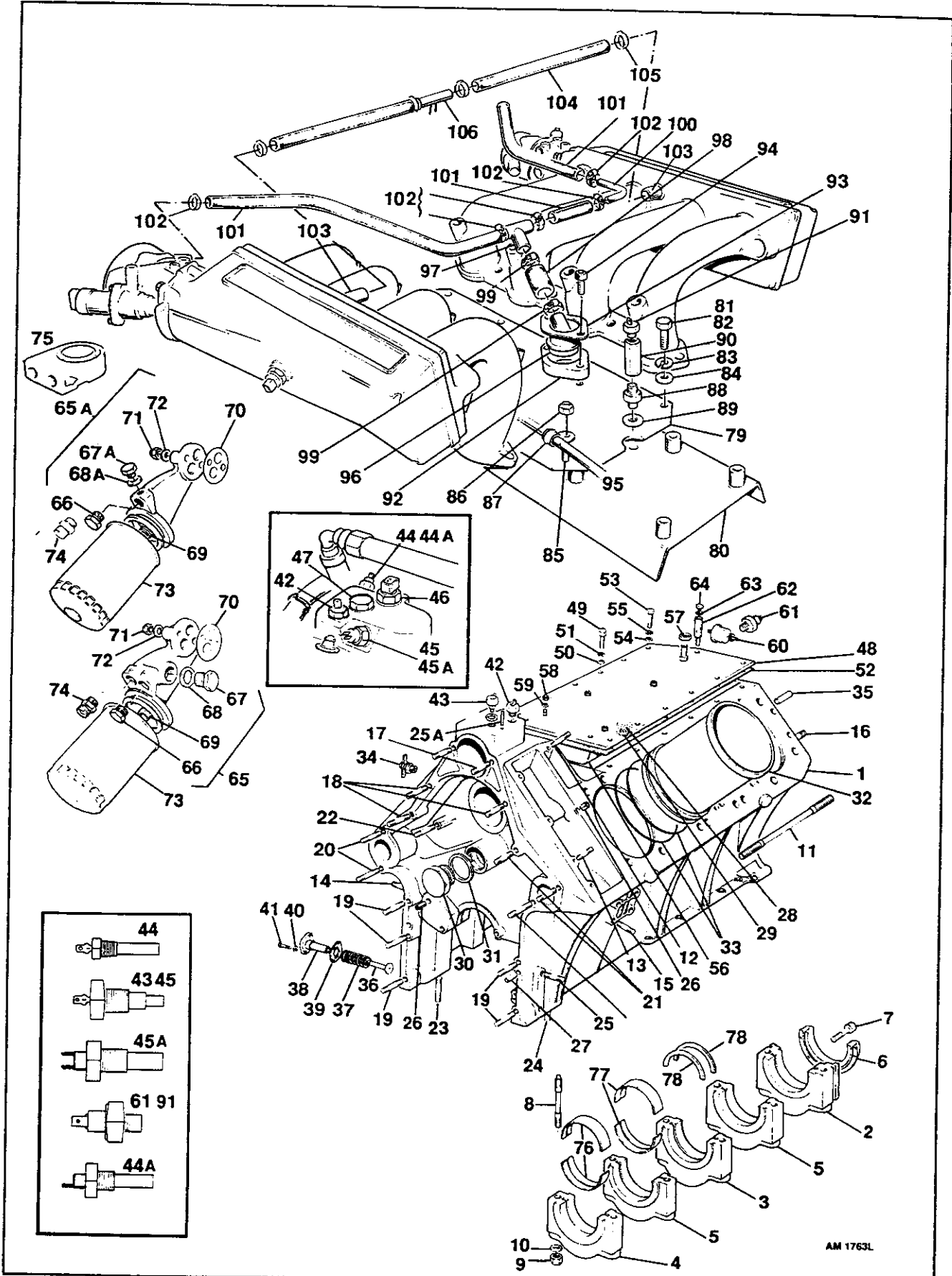
Cylinder Block

Illus No.	Part No.	Description	Qty.	Remarks
-	080.001.0707	Bearing shell, front/centre/rear, 0.020in. undersize, black	6	} Later cars
-	080.001.0708	Bearing shell, front/centre/rear, 0.020in. undersize, red	6	
-	080.001.0709	Bearing shell, front/centre/rear, 0.020in. undersize, green	6	
77	080.001.0110	Bearing shell, intermediate, standard, black	4	
-	080.001.0145	Bearing shell, intermediate, standard, red	4	
-	080.001.0146	Bearing shell, intermediate, standard, green	4	
-	080.001.0704	Bearing shell, intermediate, 0.010in. undersize, black	4	
-	080.001.0705	Bearing shell, intermediate, 0.010in. undersize, red	4	
-	080.001.0706	Bearing shell, intermediate, 0.010in. undersize, green	4	
-	080.001.0710	Bearing shell, intermediate, 0.020in. undersize, black	4	
-	080.001.0711	Bearing shell, intermediate, 0.020in. undersize, red	4	
-	080.001.0712	Bearing shell, intermediate, 0.020in. undersize, green	4	
78	080.001.0147	Thrust washer, top, 0.089 - 0.091in. red	as reqd	
-	01.15883	Thrust washer, top, 0.092in.	as reqd	
79	01.19959	Valley plate	1	Valley plate to cylinder block
-	693282	Sealer	as reqd	
-	693283	Sealer remover	as reqd	Later cars
80	01.23458	Baffle plate	1	
81	123128	Bolt, 1/4in. UNC x 7/8in. long	10	9 on later cars. Valley plate to cylinder block
82	123128	Bolt, 1/4in. UNC x 7/8in. long	6	Baffle plate to valley plate
83	110943	Washer, spring, 1/4in.	18	
84	119470	Washer, plain, 1/4in.	18	
85	693373	Stud, 1/4in. UNC/UNF x 2in. long	1	Later cars
86	541004	Nut, plain, 1/4in. UNF	2	Later cars
87	069.034.0117	Clip, large	1	Later cars
-	693241	Clip, small	1	
88	01.21240	Union, double-ended	1	Oil pressure
89	693178	Washer	1	Union to cylinder block
90	01.21335	Adaptor	1	
91	38.20036	Oil pressure switch, 1/8in. NPT	1	3-screen instrumentation
-	37.21871	Oil pressure sensor, 1/8in. NPT	1	Vac-flourescent instrumentation
-	692133	Loctite, Superfast pipe sealant	as reqd	
92	01.23443	Mounting block, engine breather	1	Later cars
93	01.20468	Plate, breather clamp	1	
-	694178	Sealer	as reqd	
94	510411	Bolt, 1/4in.UNC 1 3/8in. long	2	Later cars
-	123129	Bolt, 1/4in. UNC x 3/4in. long	2	Early cars
-	110943	Washer, spring, 1/4in.	2	
-	119470	Washer, plain, 1/4in.	2	
95		Kickdown cable	1	See Section 3

# ENGINE



## Cylinder Block



AM 1763L



# ENGINE

## Cylinder Block

Illus No.	Part No.	Description	Qty.	Remarks
96	07.19470	Engine breather assembly	1	
-	691074	'O' Ring	1	For engine breather assembly
97	08.20881	Tee piece	1	
98	691574	Hose, 1in. ID	4in.	
99	691024	Clip, hose	2	
100	01.21666	Breather pipe	1	
101	693148	Hose	as reqd	
102	692723	Clip, hose	6	Crimp-on type
103	08.21080	Adaptor, breather hose	2	
104	693148	Hose	as reqd	
105	692723	Clip, hose	4	Crimp-on type
106	08.20484	Pipe assembly, 2 stub	1	
-	08.22399	Pipe assembly. 3 stub	1	Middle East cars





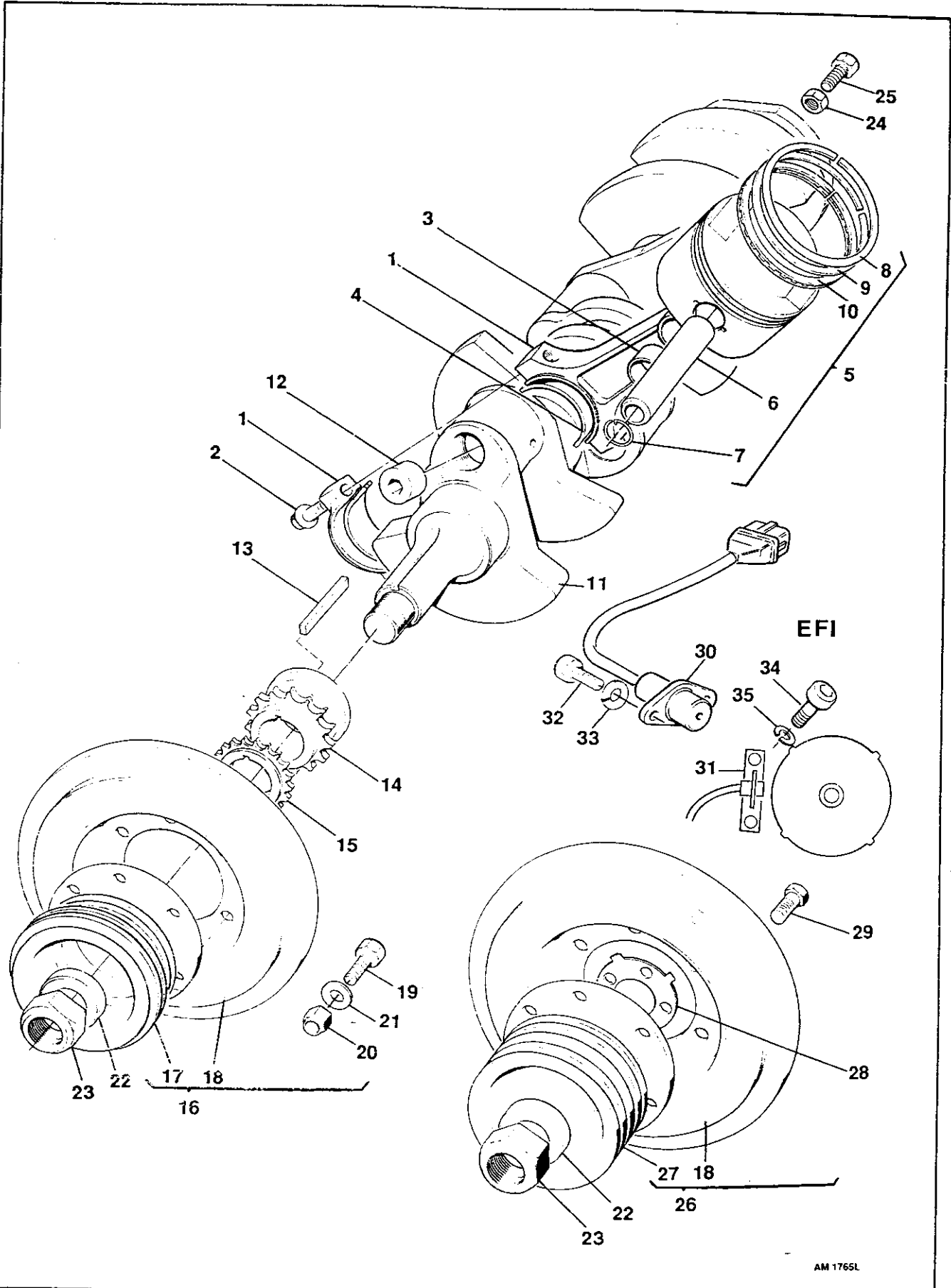
**ENGINE**

**Crankshaft, Pistons and Rods**

Illus. No.	Part No.	Description	Qty.	Remarks
1	080.002.0009	CONNECTING ROD ASSEMBLY	8	Balanced sets only
2	080.002.0110	Connecting rod bolt	16	} Part of Item 1
3	020.002.0127	Small end bush	8	
4	02.18491	Big end bearing shell, half, standard size	16	
-	02.18492	Big end bearing shell, half, 0.010 in. undersize	16	
-	02.18493	Big end bearing shell, half, 0.020 in. undersize	16	
5	02.11236	PISTON ASSEMBLY, GRADE A OR B, 9.3:1 COMPRESSION RATIO, WITH RINGS	8	Up to Chassis No. 13029
-	02.14694	PISTON ASSEMBLY, GRADE A OR B, 9.3:1 COMPRESSION RATIO, WITH RINGS	8	From Chassis No. 13030 up to September 1984
-	02.20589	PISTON ASSEMBLY, GRADE A OR B, 9.3:1 COMPRESSION RATIO, WITH RINGS	8	From October 1984 to January 1987
-	02.23299	PISTON ASSEMBLY, GRADE A OR B, 9.3:1 COMPRESSION RATIO, WITH RINGS	8	From January 1987 on
-	02.25648	PISTON ASSEMBLY, GRADE A OR B, 9.3:1 COMPRESSION RATIO, WITH RINGS	8	EFI cars from Chassis No. 13558 approx.
-	02.23306	PISTON ASSEMBLY, GRADE A OR B, 8.0:1 COMPRESSION RATIO, WITH RINGS	8	Emission control engines. Canadian and Japanese cars
-	02.25649	PISTON ASSEMBLY, GRADE A OR B, 8.0:1 COMPRESSION RATIO, WITH RINGS	8	EFI cars from Chassis No. 13558 approx. USA, Japanese and Swiss 1988 cars with emission control
6	080.002.0119	Gudgeon pin	8	
-	090.002.0102	Gudgeon pin	8	Emission control engines. Canadian and Japanese cars
7	020.002.0131	Circlip	16	
8	080.002.0120	Compression ring, top	8	Early cars
-	02.20275	Compression ring, top	8	Later cars, sold only in sets of 8
-	02.25652	Compression ring, top	8	EFI cars from Chassis No. 13558 approx.
9	02.14698	Compression ring, lower	8	Early cars
-	02.22997	Compression ring, lower	8	Later cars, sold only in sets of 8
-	02.25653	Compression ring, lower	8	EFI cars from Chassis No. 13558 approx.
10	02.22998	Oil control ring	8	Later cars. Sold only in sets of 8
-	02.25654	Oil control ring	8	EFI cars from Chassis No. 13558 approx.
11	080.002.0117	CRANKSHAFT, STANDARD SIZE	1	} Cars up to mid. 1981
-	080.002.0701	CRANKSHAFT, 0.010 in. UNDERSIZE	1	
-	080.002.0702	CRANKSHAFT, 0.020 in. UNDERSIZE	1	
-	02.17503	CRANKSHAFT, STANDARD SIZE	1	} Cars from mid. 1981 for use with new, push-in type plug
-	02.17504	CRANKSHAFT, 0.010 in. UNDERSIZE	1	
-	02.17505	CRANKSHAFT, 0.020 in. UNDERSIZE	1	
12	080.002.0102	Plug, crankshaft	4	Cars up to mid. 1981
-	02.19831	Plug, crankshaft (push-in type)	4	Cars from mid. 1981
-	691920	Loctite	as reqd.	} For use with plug, Part No. 02.19837
-	692743	Circlip	4	
13	080.002.0113	Key, crankshaft	1	
14	080.002.0114	Sprocket, timing	1	
15	020.002.0118	Sprocket, oil pump	1	
-	691730	Hylomar 800B PH32M	as reqd.	

# ENGINE

## Crankshaft, Pistons and Rods



AM 1765L





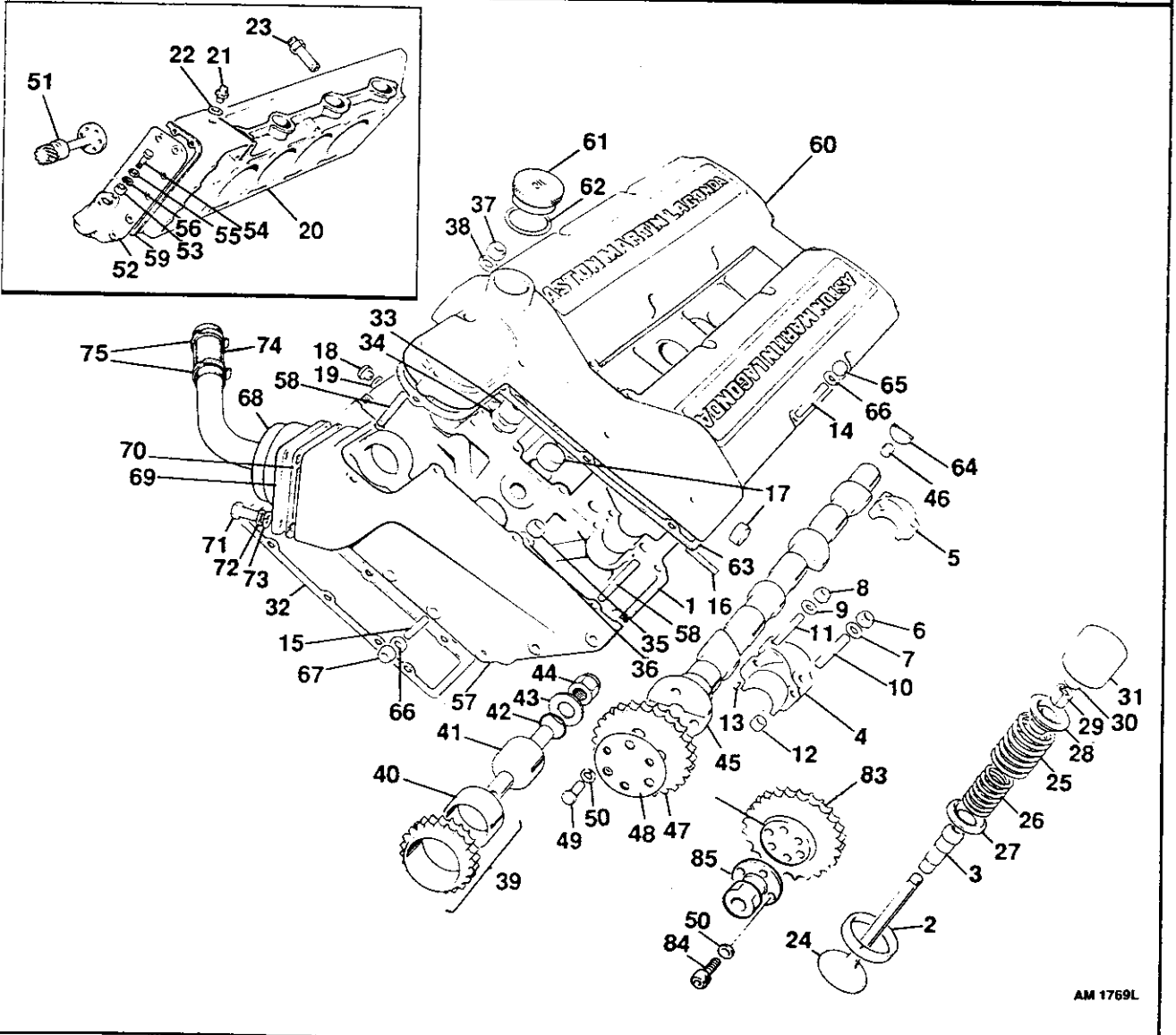
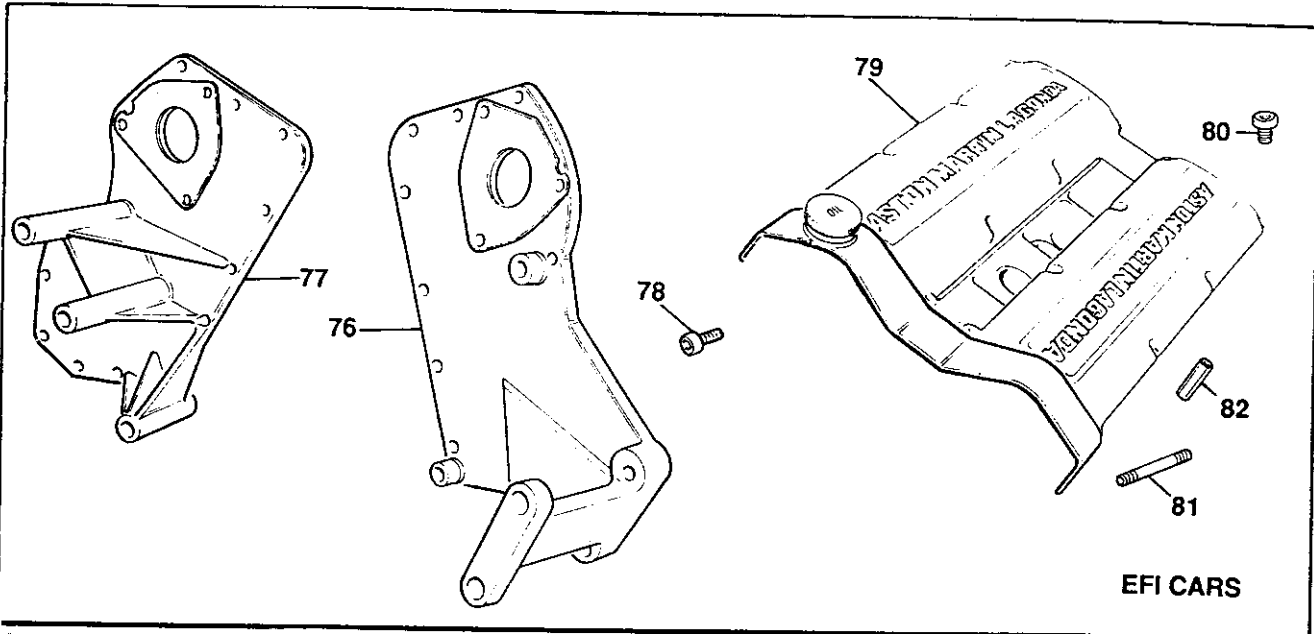
## ENGINE

## Crankshaft, Pistons and Rods

Illus No.	Part Number	Description	Qty	Remarks	
-	095.002.0003	CRANKSHAFT PULLEY AND TORSIONAL VIBRATION DAMPER ASSEMBLY	1	} Cars up to chassis no. 13020	
-	095.002.0105	Crankshaft pulley	1		
16	02.14532	CRANKSHAFT PULLEY AND TORSIONAL VIBRATION DAMPER ASSEMBLY	1	} Most cars from chassis no. 13021. (With large diameter alternator pulley)	
17	02.14413	Crankshaft pulley	1		
-	02.17021	CRANKSHAFT PULLEY AND TORSIONAL VIBRATION DAMPER ASSEMBLY	1	} Early cars, and cars with 100 amp alternator. All carburettor cars from chassis no. 13180	
-	02.17022	Crankshaft pulley	1		
18	020.002.0120	Torsional vibration damper	1		
19	690400	Bolt, special, 3/8 in. UNF	6	} Carburettor cars	
20	123113	Nut, Nyloc, 3/8 in. UNF	6		
21	119472	Washer, plain, 3/8 in.	6		
22	080.002.0116	Washer, special, crankshaft	1		
23	080.002.0126	Nut, special, crankshaft	1		
24	020.002.0114	Dowel nut	3		
25	095.002.0103	Bolt	8	Drive plate and adaptor to crankshaft	
26	02.21695	CRANKSHAFT PULLEY, TRIGGER DISC AND TORSIONAL VIBRATION DAMPER ASSEMBLY	1	} EFI cars	
27	02.21073	Crankshaft pulley	1		
-	02.26345	CRANKSHAFT PULLEY, TRIGGER DISC AND TORSIONAL VIBRATION DAMPER ASSEMBLY	1		} From chassis no. 13568. Sept. 1988
-	02.26261	Crankshaft pulley	1		
28	02.21075	Trigger disc	1		
29	123147	Bolt, 3/8 in. UNF x 3/4 in. long	6		
-	692576	Loctite, 'Studlock'	as reqd	For bolts	
30	08.20012	Crankshaft sensor	1		
31	02.20023	Sensor bracket	1		
32	693346	Screw, socket-head, M5 x 10	2	} Sensor to bracket	
33	692045	Washer, spring, M5	2		
34	690505	Capscrew, 1/4 in. UNC x 1/2 in. long	2	} Bracket to timing case	
35	110943	Washer, spring, 1/4 in.	2		

# ENGINE

## Cylinder Head



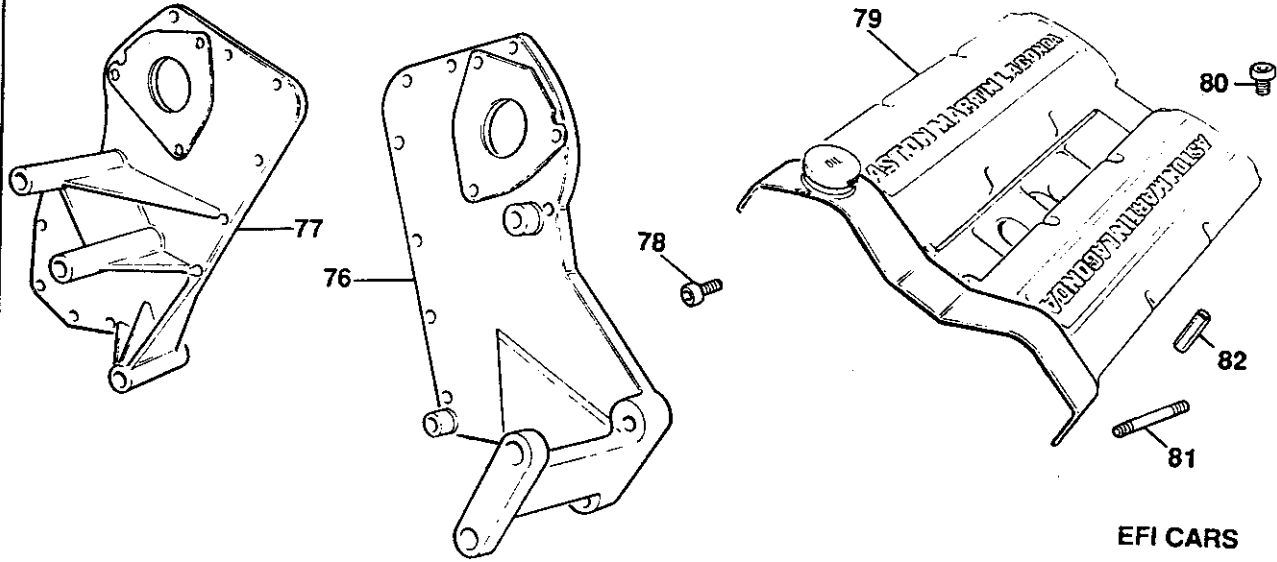


Cylinder Head

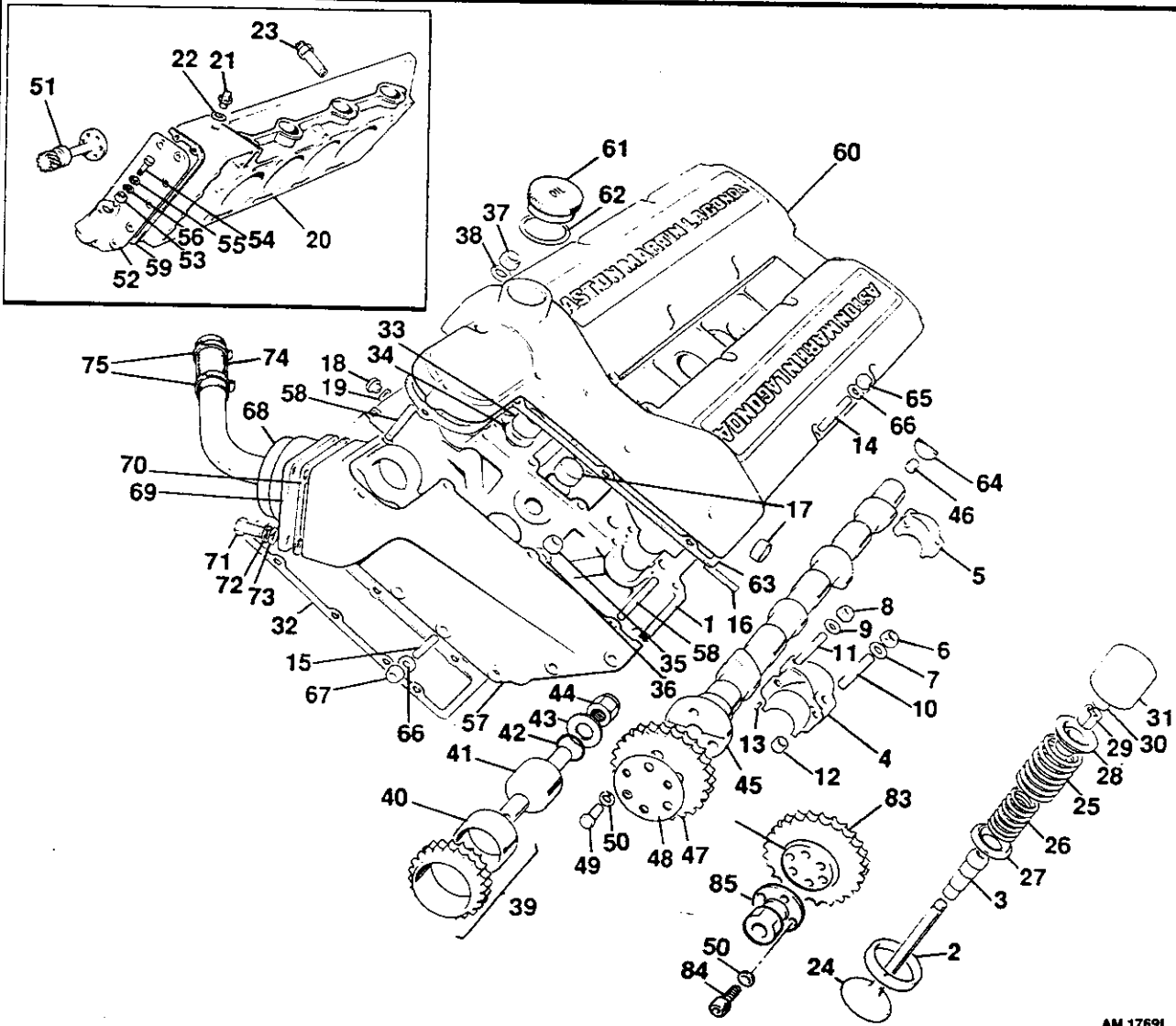
Illus. No.	Part No.	Description	Qty.	Remarks
1	06.11263	CYLINDER HEAD ASSEMBLY, STUDED, LH 'B' BANK	1	
-	06.17913	CYLINDER HEAD ASSEMBLY, STUDED, LH 'B' BANK	1	Emission control cars, except Canada.
-	06.25849	CYLINDER HEAD ASSEMBLY, STUDED, LH 'B' BANK	1	EFI cars
-	080.006.0103	Valve insert, inlet	4	Open out to suit valve head
-	080.006.0122	Valve insert, exhaust	4	Early cars
2	06.20686	Valve insert, exhaust	4	Later cars - see also Item 24.
3	06.14308	Valve guide, inlet and exhaust	8	From Chassis No. 13018
-	080.006.0104	Valve guide, inlet	4	} Cars up to Chassis No. 13017
-	080.006.0105	Valve guide, exhaust	4	
-		Camshaft bearing cap, front, inlet	1	} Not supplied separately
4		Camshaft bearing cap, front, exhaust	1	
5		Camshaft bearing cap, inlet and exhaust	8	
6	690019	Nut, Nyloc, 5/16 in., thin	10	
7	629.000.0305	Washer, plain, 5/16 in.	10	
8	123116	Nut, Nyloc, 1/4 in.	22	
9	691107	Washer, plain, 1/4 in.	22	
10	690459	Stud, 5/16 in., camshaft	10	
11	691051	Stud, 1/4 in., camshaft cap	22	
12	125568	Ring dowel	10	
13	691070	Dowel, 1/8 in.	10	
-	690822	Dowel, tension	1	Cylinder head to block
-	080.006.0121	Plug	1	Cylinder head oil gallery
-	691319	Grubscrew, 2BA x 1/4 in. socket head	2	Cars from mid. 1980 on
-	692576	Loctite, red, 'Studlock'	as reqd.	
14	691291	Stud, 1/4 in., top cover	16	Cars up to mid 1980
-	691291	Stud, 1/4 in., top cover	14	} Cars from mid 1980
-	691331	Stud, 1/4 in., top cover	2	
15	691052	Stud, short, front cover	8	
-	691052	Stud, short, front cover	5	} Emission control cars except Canada
-	691051	Stud, short, front cover	3	
16	690993	Stud, exhaust system	8	Not EFI Cars
17	097.006.0109	Core plug	8	
18	119591	Plug, flanged, 1/8 in. BSP	2	
19	095.033.0161	Washer, copper	2	
-	691355	Stud	4	} Refer to Section 2 Air Injection
-	123185	Stud	4	
20	06.11262	CYLINDER HEAD ASSEMBLY, STUDED, RH 'A' BANK	1	Cars with alternator on RH side of engine
-	06.17012	CYLINDER HEAD ASSEMBLY, STUDED, RH 'A' BANK	1	Cars with alternator on LH side of engine
-	06.25848	CYLINDER HEAD ASSEMBLY, STUDED, RH 'A' BANK	1	EFI Cars
-	080.006.0103	Valve insert, inlet	4	Open out to suit valve head.
-	080.006.0122	Valve insert, exhaust	4	Early cars
-	06.20686	Valve insert, exhaust	4	Later cars, see also Item 24.
-	06.14308	Valve guide, inlet and exhaust	8	Cars from Chassis No. 13018
-	080.006.0104	Valve guide, inlet	4	Cars up to Chassis No. 13017
-	080.006.0105	Valve guide, exhaust	4	

# ENGINE

## Cylinder Head



EFI CARS



AM 1769L

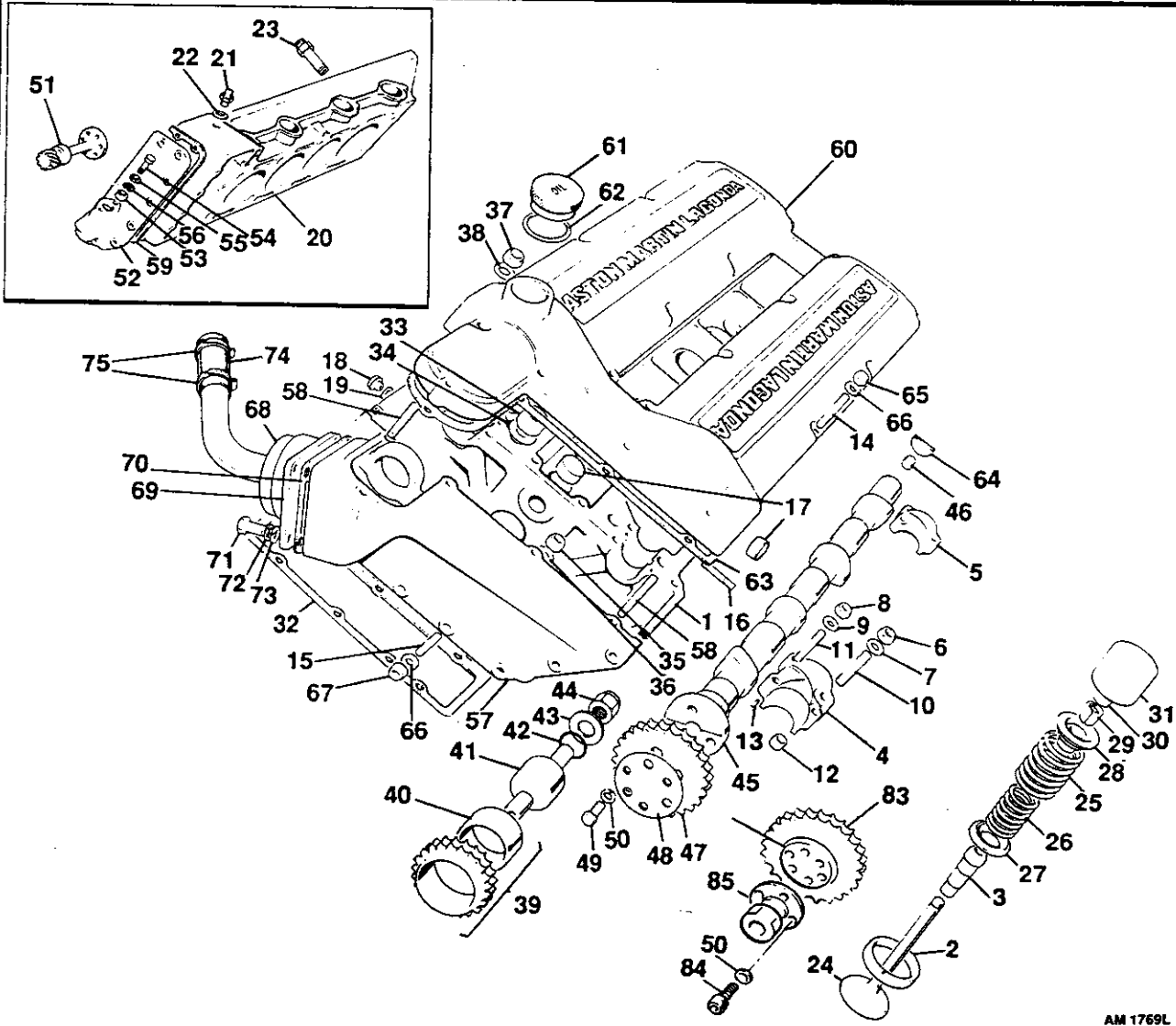
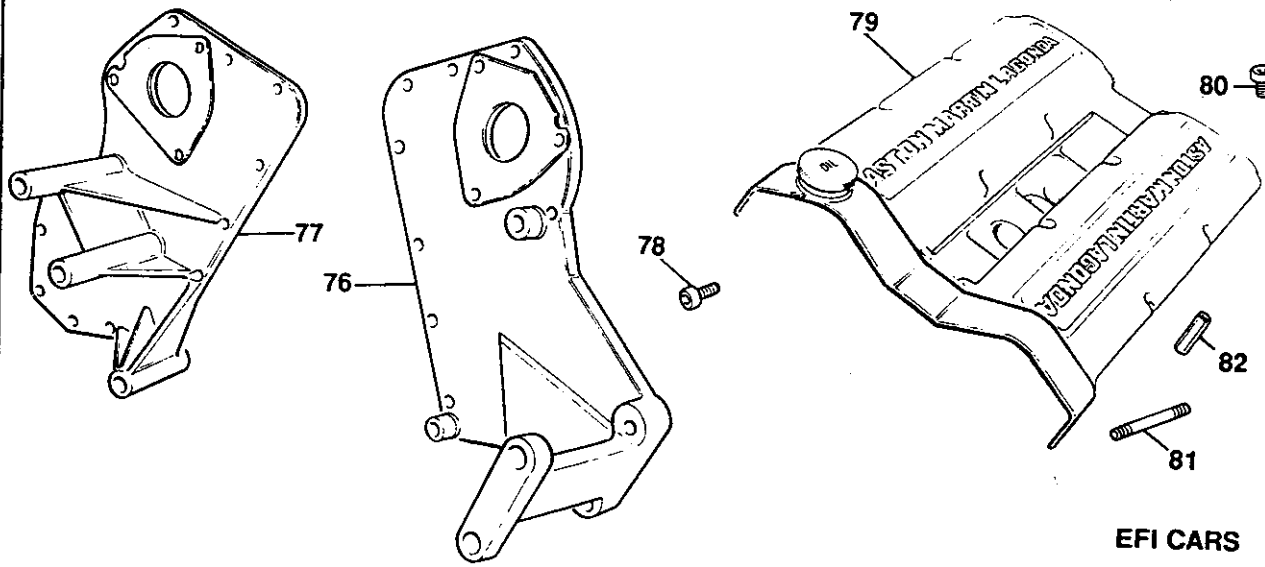


**Cylinder Head**

Illus. No.	Part No.	Description	Qty.	Remarks	
-		Camshaft bearing cap, front, inlet	1	} Not supplied separately	
-		Camshaft bearing cap, front, exhaust	1		
-		Camshaft bearing cap, inlet and exhaust	8		
-	691319	Grubscrew, 2BA x 1/4 in.	2		
-	692576	Loctite, red, Studlock'	as reqd.		
-	690019	Nut, Nyloc, 5/16 in., thin	10		
-	629.000.0305	Washer, plain, 5/16 in.	10		
-	123116	Nut, Nyloc, 1/4 in.	22		
-	691107	Washer, plain, 1/4 in.	22		
-	690459	Stud, 5/16 in., camshaft cap	10		
-	691051	Stud, 1/4 in., camshaft cap	22		
-	125568	Ring dowel	10		
-	691070	Dowel, 1/8 in.	10		
-	690822	Dowel, tension	1	Cylinder head to block	
-	080.006.0121	Plug	1	Cylinder head oil gallery	
-	691291	Stud, 1/4 in., top cover	16		
-	691052	Stud, short, front cover	5	} Not EFI Cars	
-	691291	Stud, 1/4 in., front cover	3		For cars with alternator on RH side of engine
-	691355	Stud, long, front cover	3		For cars with steering pump on RH side of engine
-	690993	Stud, exhaust manifold	8		
21	691515	Union, double-ended, 1/8 in. BSP	1		
22	095.033.0161	Washer, 1/8 in. BSP	2		
-	097.006.0109	Core plug	7		
-	119591	Flanged plug, 1/8 in. BSP	2		
-	691355	Stud	4	Refer to Section 2 - Air Injection	
-	123185	Stud	4		
23	06.11568	Adaptor, long, heater valve	1		
-	077.008.0123	Hose adaptor	1		
-	119500	Washer, fibre	1		
-	095.006.0112	Valve, inlet	8	Cars up to Chassis No. 13029	
-	095.006.0111	Valve, exhaust	8		
-	06.14514	Valve, inlet, head diam. 2.1 in.	8	} Cars from Chassis No. 13030	
24	06.20685	Valve, exhaust, head diam. 1.9 in.	8		For use with new exhaust seat
25	080.006.0112	Valve spring, outer	16		
26	080.006.0113	Valve spring, inner	16		
27	023.050.0185	Washer, valve spring	16		
28	080.006.0114	Valve spring cap	16		
29	020.006.0129	Valve cotter	16		
30	080.006.0115	Valve adjustment cap, 0.085 - 0.110 in.	as reqd.	A-Z (26 thicknesses)	
-	96.16105	Valve adjustment cap, 0.075 - 0.084 in.	as reqd.	Q-Z (10 thicknesses)	
31	06.22984	Tappet, green	16		

# ENGINE

## Cylinder Head



AM 1769L



Cylinder Head

Illus No.	Part Number	Description	Qty	Remarks
32	06.21320	Cylinder head gasket	2	} Cylinder head to block
33	06.13640	Nut, 1/2 in. UNC	20	
34	06.13641	Washer, special, 1/2 in.	20	
-	691714	Nut, 1/2 in. UNC	20	
-	069.006.0108	Washer, special, 1/2 in.	20	
35	123113	Nut, Nyloc, 3/8 in. UNF	2	
36	119472	Washer, plain, 3/8 in.	2	
37	123115	Nut, Nyloc, 5/16 in. UNF	8	
38	119471	Washer, plain, 5/16 in.	8	
39	020.006.0006	Tensioner sprocket and bush assembly, 21 teeth	2	
-	06.19206	Tensioner sprocket and bush assembly, 23 teeth	2	
40	020.006.0134	Bush, tensioner	2	
-	06.19202	Tensioner sprocket, 21 teeth	2	} Cars from chassis no. 13312
-	06.19200	Tensioner sprocket, 23 teeth	2	
-	06.19204	Needle bearing	2	} Cars from chassis no. 13381
-	06.19897	Washer	2	
-	692672	Screw, M6 x 16	2	} Cars up to chassis no. 13311
41	020.006.0135	Spindle, top tensioner	2	
-	020.006.0150	Plug	2	} Cars from chassis no. 13312
-	06.19203	Spindle, top tensioner	2	
42	692420	'O' Ring	2	
43	06.15600	Washer, special	2	
44	123117	Nut, special, 5/8 in. UNF	2	
-	080.006.0117	Rubbing strip, short	2	
-	693237	Screw, 1/4 in. UNF x 1.1/4 in. long	4	
-	690559	Washer, 1/4 in., aluminium	as reqd	
-	080.006.0120	Bonded seal	4	
-	123116	Nut, Nyloc, 1/4 in. UNF	4	
-	095.007.0117	Inlet camshaft, RH head	1	
45	095.007.0119	Inlet camshaft, LH head	1	
-	07.11269	Exhaust camshaft, RH head	1	
-	07.11270	Exhaust camshaft, LH head	1	
46	691650	Plug, rear	4	} One off each for each camshaft
-	080.007.0138	Plug, front, (not RH exhaust)	3	
47	080.007.0105	Sprocket, camshaft	4	Not EFI cars
48	080.007.0107	Washer, sprocket	3	2 on EFI cars
49	530506	Setscrew, 5/16 in. UNF x 3/4 in. long	12	Not EFI cars
50	119481	Washer, spring, 5/16 in.	12	
51	080.007.0106	Auxiliary drive gear	1	} Not EFI cars
-	080.007.0001	Front cover assembly, RH, 'A' bank	1	
52	080.007.0108	Front cover, RH	1	
-	691291	Stud, top cover	5	
-	125412	Stud, distributor	2	
53	020.006.0116	Bush	1	
54	510407	Setscrew, 1/4 in. UNC x 7/8 in. long	2	
55	119470	Washer, plain, 1/4 in.	2	
56	119480	Washer, spring, 1/4 in.	2	
-	080.007.0002	Front cover assembly, LH, 'B' bank	1	
57	080.007.0109	Front cover, LH	1	
58	691291	Stud, top cover	5	



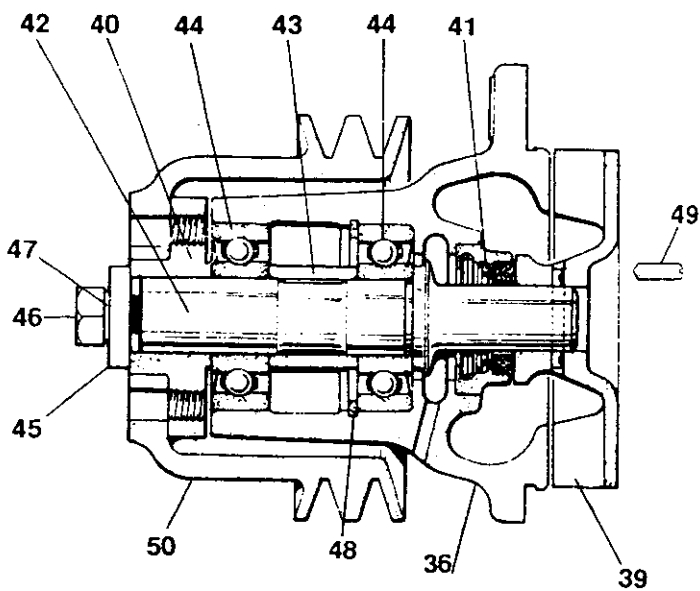
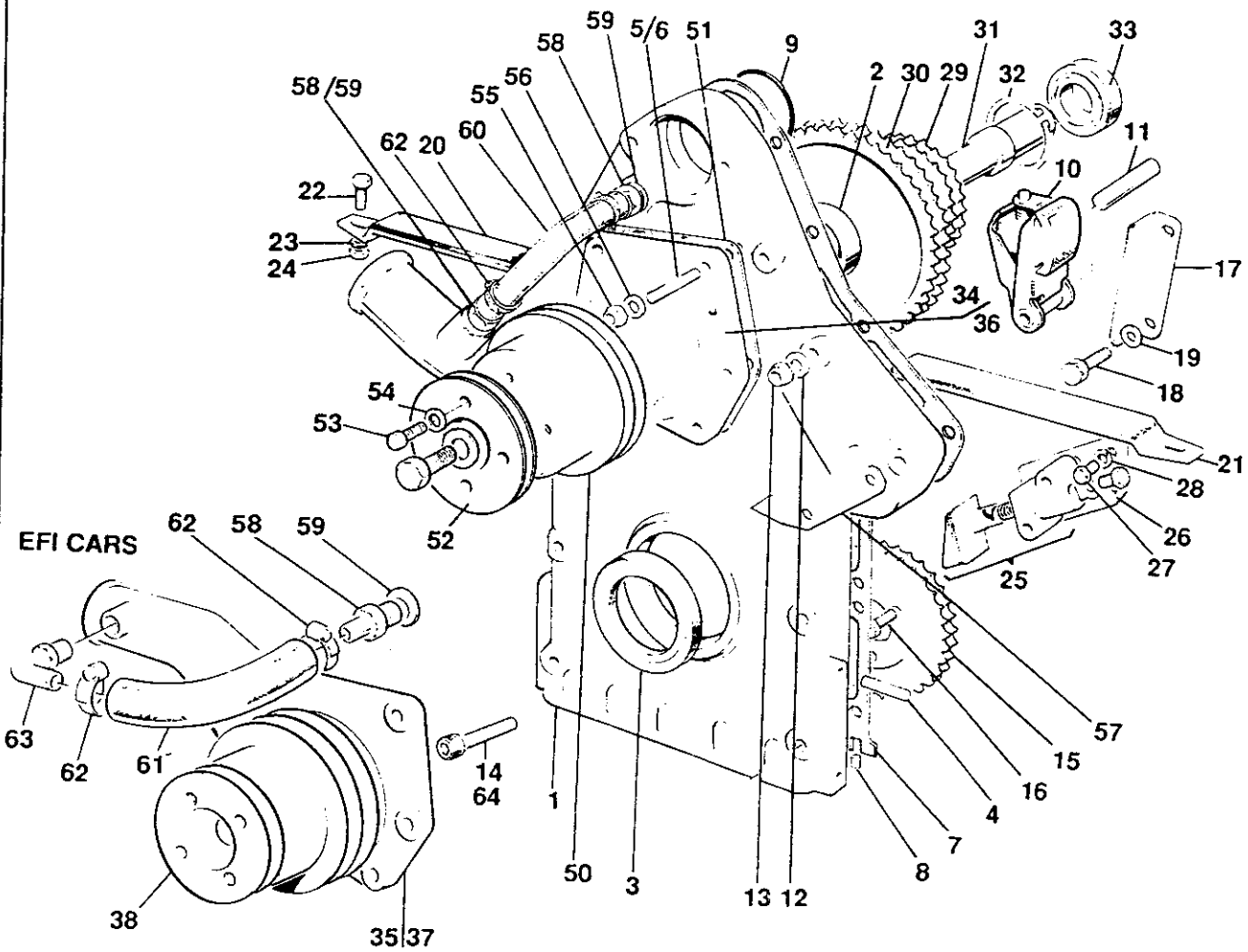




Illus. No.	Part No.	Description	Qty.	Remarks	
-	691476	Stud, compressor mounting, long	1	} Not EFI cars	
-	691331	Stud, compressor mounting, short	2		
59	080.007.0112	Gasket, front cover to head	2		
-	095.007.0102	Camshaft cover RH	1		
60	095.007.0103	Camshaft cover LH	1		
61	095.007.0101	Filler cap, oil	1		
62	095.007.0106	Sealing ring, filler cap	1		
63	080.007.0113	Gasket, camshaft cover	2		Not EFI cars
64	080.007.0111	Seal plug	4		} Not EFI cars
65	080.007.0144	Nut, special, camshaft cover	42		
66	119470	Washer, plain, 1/4 in.	60		
67	123116	Nut, Nyloc, 1/4 in. UNF	16		
68	07.10724	Breather assembly, front cover	1		
-	07.19470	Breather assembly, front cover	1		
-	691074	'O' Ring	1	All later cars (also see Item 74)	
69	095.007.0104	Retaining plate, breather assembly	1		
70	095.007.0105	Gasket, breather assembly	1	} Part No. 080.007.0128 is an alternative	
71	510508	Screw, 5/16 in. UNC x 1 in. long	4		
72	119471	Washer, plain, 5/16 in.	4	} Not EFI cars	
73	119481	Washer, spring, 5/16 in.	4		
74	691574	Hose	6 in		
-	07.17887	Hose	1		All later cars
75	690358	Clip, Wormdrive	2		
<b>EFI CARS</b>					
76	07.20018	Front cover, LH 'B' bank	1		
77	07.20019	Front cover, RH 'A' bank	1		
78	690331	Capscrew, 1/4 in. UNC x 5/8 in. long	28	} Later cars } Front covers to cylinder heads	
-	693777	Sealing ring	28		
-	694178	Sealer	As reqd		
-	693283	Sealer remover	As reqd.		
-	07.19967	Camshaft cover R.H.	1		
79	07.19966	Camshaft cover L.H.	1		
80	690333	Capscrew, 1/4 in. UNC x 1 1/2 in. long	24	} Camshaft covers to cylinder heads	
-	693215	Capscrew, 1/4 in. UNF x 3/8 in. long	8		
81	691291	Stud, 1/4 in. UNC/UNF x 2 in. long	8		
82	080.007.0131	Extended nut, 1/4 in. UNF	8		
-	110943	Washer, spring 1/4 in.	8		
-	119470	Washer, plain, 1/4 in.	8		
-	694178	Sealer	As reqd.		
-	693283	Sealer remover	As reqd.		
83	07.20291	Sprocket, camshaft	4		
84	693177	Capscrew, 5/16 in. UNF x 3/4 in. long	12		
85	07.20021	Distributor drive adaptor L.H.	1		
-	07.20022	Distributor drive adaptor R.H.	1		

# ENGINE

## Timing Case Water Pump and Sprockets



AM 1791

TP 5079-0688-150

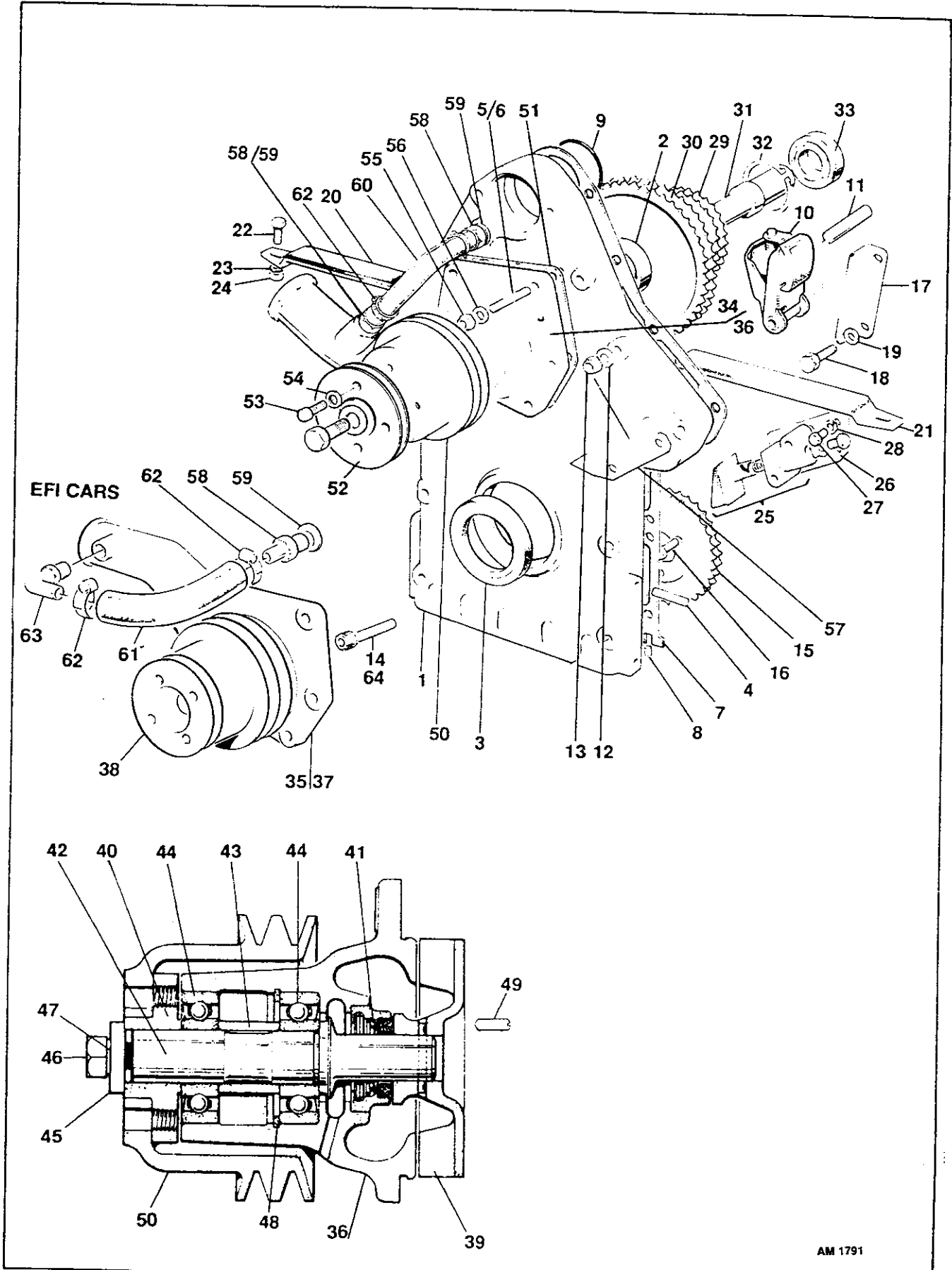


**Timing Case  
Water Pump and Sprockets**

Illus No.	Part Number	Description	Qty	Remarks
-	080.003.0003	FRONT TIMING CASE ASSEMBLY	1	
-	03.21338	FRONT TIMING CASE ASSEMBLY	1	EFI cars
-	03.26343	FRONT TIMING CASE ASSEMBLY	1	EFI cars. For later oil seal
1	080.003.0103	Front timing case	1	
-	03.19961	Front timing case	1	EFI cars
-	03.26285	Front timing case	1	EFI cars to Nov.1988
-	03.26297	Front timing case	1	Later EFI cars
2	691400	Bearing, intermediate spindle	1	
3	125439	Oil seal	1	
-	694270	Oil seal	1	From chassis no. 13568 Sept. 1988
4	125412	Stud, 1/4 in. UNC/UNF x 1.2 in. long	2	Power steering bracket or EFI alternator bracket
5	691046	Stud, 5/16 in. UNC/UNF x 1.63 in. long	5	Water pump. Four on EFI cars
6	691047	Stud, 5/16 in. UNC/UNF x 2.38 in. long	1	Water pump. Not on cars with rear air-conditioning
7	080.003.0104	Joint	1	Timing case to cylinder block
8	020.001.0126	Cork seal	2	
9	691074	'O' Ring	1	
10	095.003.0003	Tensioner, primary chain	1	
11	691036	Tension pin, 1/4 in. x 1.3/8 in. long	1	
-	691291	Stud, 1/4 in. UNC/UNF x 2 in. long	1	
-	119470	Washer, plain, 1/4 in.	2	
-	123116	Nut, Nyloc, 1/4 in. UNF	1	
12	119471	Washer, plain, 5/16 in.	15	11 on EFI cars
13	123115	Nut, Nyloc, 5/16 in. UNF	15	11 on EFI cars
14	690341	Screw, socket head, 5/16 in. UNC x 7/8 in. long	1	} EFI cars. Timing case to cylinder block
-	690342	Screw, socket head, 5/16 in. UNC x 1.1/2 in. long	3	
15	080.003.0109	Sprocket, oil pump	1	
16	690676	Setscrew, 1/4 in. UNF x 5/16 in. long	3	
-	04.21086	Setscrew, Durloc, M6 x 8	3	Later cars - also new oil pump
17	080.003.0111	Rubbing strip, primary chain	1	
18	510405	Screw, 1/4 in. UNC x 5/8 in. long	2	} Alternatives, early cars
-	692217	Screw, Durloc, 1/4 in. UNC x 5/8 in. long	2	
-	692672	Screw, Durloc, M6 x 16	2	Later cars
19	119470	Washer, plain, 1/4 in.	2	Not required with Durloc screws
20	080.003.0112	Rubbing strip, timing chain, RH	1	
21	080.003.0113	Rubbing strip, timing chain, LH	1	
22	530512	Setscrew, 5/16 in. UNF x 1.1/2 in. long	2	} Rubbing strip fixings
23	119471	Washer, plain, 5/16 in.	2	
24	123115	Nut, Nyloc, 5/16 in. UNF	2	
-	123116	Nut, Nyloc, 1/4 in. UNF	2	
-	119470	Washer, plain, 1/4 in.	2	} For cylinder block stud, Pt. no. 125412
25	020.003.0132	Tensioner, oil pump chain	1	
26	080.003.0114	Mounting bracket, chain adjuster	1	
27	510406	Screw, 1/4 in. UNC x 3/4 in. long	2	Early cars
-	692672	Screw, Durloc, M6 x 16	2	Later cars
28	119480	Washer, spring, 1/4 in.	2	Not required with Durloc screws
29	095.003.0001	Sprocket assembly, intermediate	1	
30	-	Sprocket, intermediate	1	
31	-	Spindle, intermediate	1	
32	112411	Circlip	1	
33	691774	Self-aligning bearing	1	

# ENGINE

## Timing Case Water Pump and Sprockets



AM 1791

TP 5079-0688-150



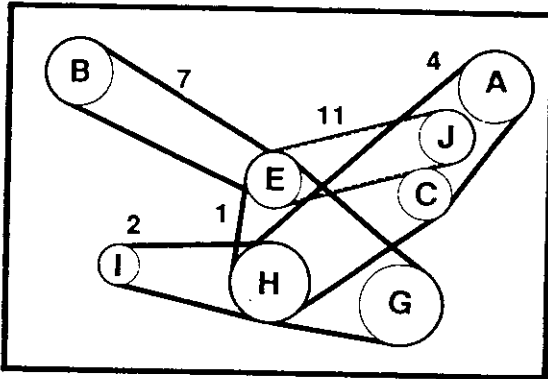
## ENGINE

Timing Case  
Water Pump and Sprockets

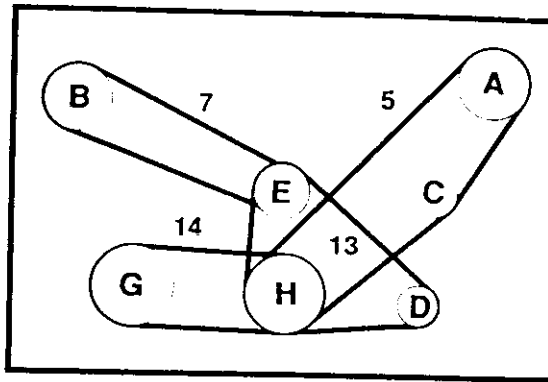
Illus No.	Part Number	Description	Qty	Remarks
34	05.17537**	WATER PUMP ASSEMBLY, WITHOUT PULLEY	1	Early carburettor cars
-	05.26303**	WATER PUMP ASSEMBLY, WITHOUT PULLEY	1	Early carb. cars. New seal
-	05.17000**	WATER PUMP ASSEMBLY, WITHOUT PULLEY	1	New seal. } Carburettor cars with rear air-conditioning. Note: items ** are for studs & nuts timing case fixings, and items + are for Capscrew fixing.
-	05.26313**	WATER PUMP ASSEMBLY, WITHOUT PULLEY	1	
-	05.26234+	WATER PUMP ASSEMBLY, WITHOUT PULLEY	1	
35	05.21231	WATER PUMP ASSEMBLY, WITH PULLEY	1	
-	05.26459	WATER PUMP ASSEMBLY, WITH PULLEY	1	EFI cars. New seal
36	080.005.0101**	Housing	1	Early carburettor cars
-	05.26304**	Housing, new seal	1	Early carburettor cars
-	05.17001**	Housing	1	} Carburettor cars with rear air-conditioning
-	05.26314**	Housing, new seal	1	
-	05.26214+	Housing, new seal	1	
37	05.20319	Housing	1	EFI cars
-	05.26458	Housing, new seal	1	EFI cars
38	05.20461	Fan pulley	1	EFI cars
39	080.005.0102	Impellor	1	
-	05.26215	Impellor	1	New seal
40	080.005.0110	Boss, pulley/water pump	1	Not EFI cars
41	080.005.0112	Water seal	1	
-	05.26217	Water seal, ceramic	1	From the end of 1988
42	092.005.0101	Spindle	1	
-	05.26216	Spindle, ceramic water seal	1	
43	020.005.0113	Distance sleeve	1	
44	125442	Ball bearing	2	691866 is alternative
45	092.005.0102	Washer	1	
46	530607	Bolt, 3/8 in. UNF x 7/8 in. long	1	
47	690368	Washer, spring, 3/8 in.	1	
48	111744	Circlip, internal	1	
-	691920	Loctite 290	as reqd	Spindle to impellor
49	691319	Grubscrew	1	
50	05.15077	Fan pulley	1	Not EFI cars
51	080.005.0104	Joint	1	Water pump to timing case
52	05.15797	Pulley, 3 in. dia., air pump belt	1	For electric fans, no spindle
-	05.18622	Pulley, 3 in. dia., air pump belt	1	For Canada
53	125589	Capscrew, 5/16 in. UNF x 1.1/8 in. long	} Not EFI cars	4
-	05.17885	Pulley, twin belts to air pumps		
-	530508	Screw, 5/16 in. UNF x 1 in. long	4	} Emission control engines - Not Canada
54	119481	Washer, spring, 5/16 in.	4	
55	123115	Nut, Nyloc, 5/16 in. UNF	6	} 5 each for carb. cars with rear air-conditioning. 4 each for EFI.
56	119471	Washer, plain, 5/16 in.	6	
57	080.007.0132	Timing pointer	1	Not EFI cars
58	077.008.0123	Hose adaptor	2	} One each for EFI cars - on timing case only
59	690625	Washer, copper	2	
60	020.032.0134	By-pass hose	1	
-	05.17116	By-pass hose	1	Carb.cars with rear air-cond.
61	05.21745	By-pass hose	1	EFI cars
62	114679	Hose clip, 16 - 25 mm	2	
63	05.20467	Angle, 90°	1	EFI cars
-	691929	Washer, copper	1	EFI cars
64	693214	Capscrew, 5/16 in. UNC x 1.1/4 in. long	1	EFI cars. Water pump to timing case

**ENGINE**

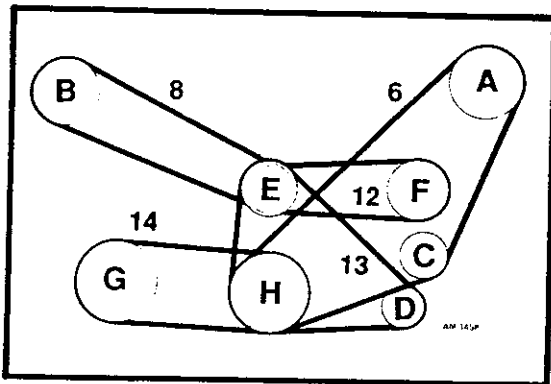
Timing Case  
Belts and Chains



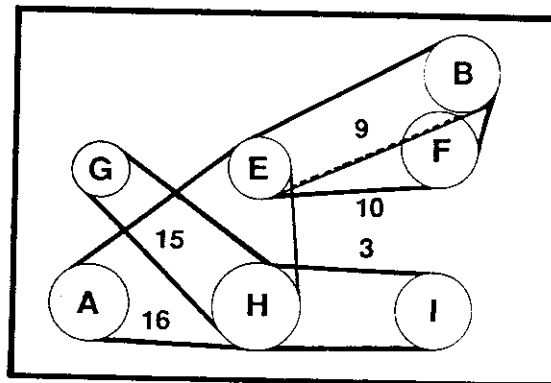
Auxiliary Drive Belts : Cars Without Rear Air-Conditioning



Auxiliary Drive Belts : Cars With Rear Air-Conditioning



Auxiliary Drive Belts : Cars With Emission Control

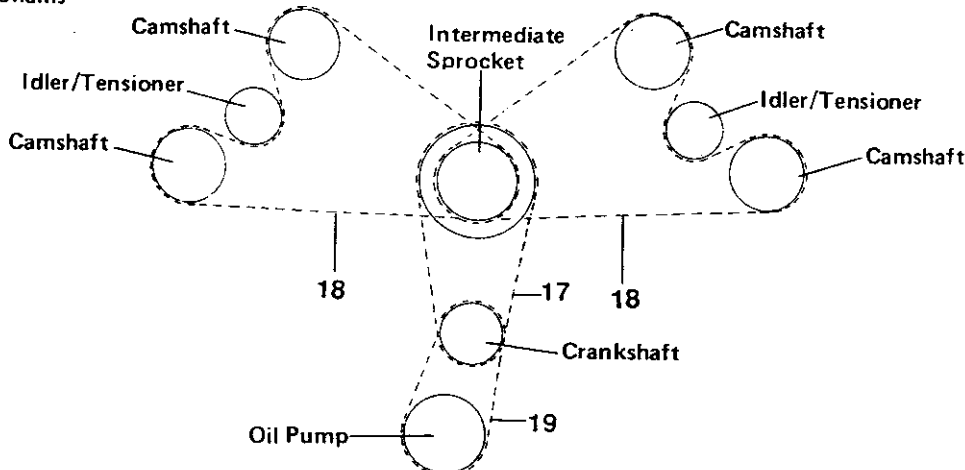


Auxiliary Drive Belts : Electronic Fuel Injection

**KEY**

- |                                      |  |
|--------------------------------------|--|
| A Air-conditioning compressor        | F Air injection pump - catalysts ( when fitted ) |
| B Air injection pump - exhaust ports | G Power steering pump                            |
| C Jockey wheel                       | H Crankshaft pulley                              |
| D Alternator - twin 'V' belt         | I Alternator - single 'V' belt                   |
| E Water pump                         | J Hydraulic fan pump ( early cars only )         |

**Timing Chains**



AM 1771

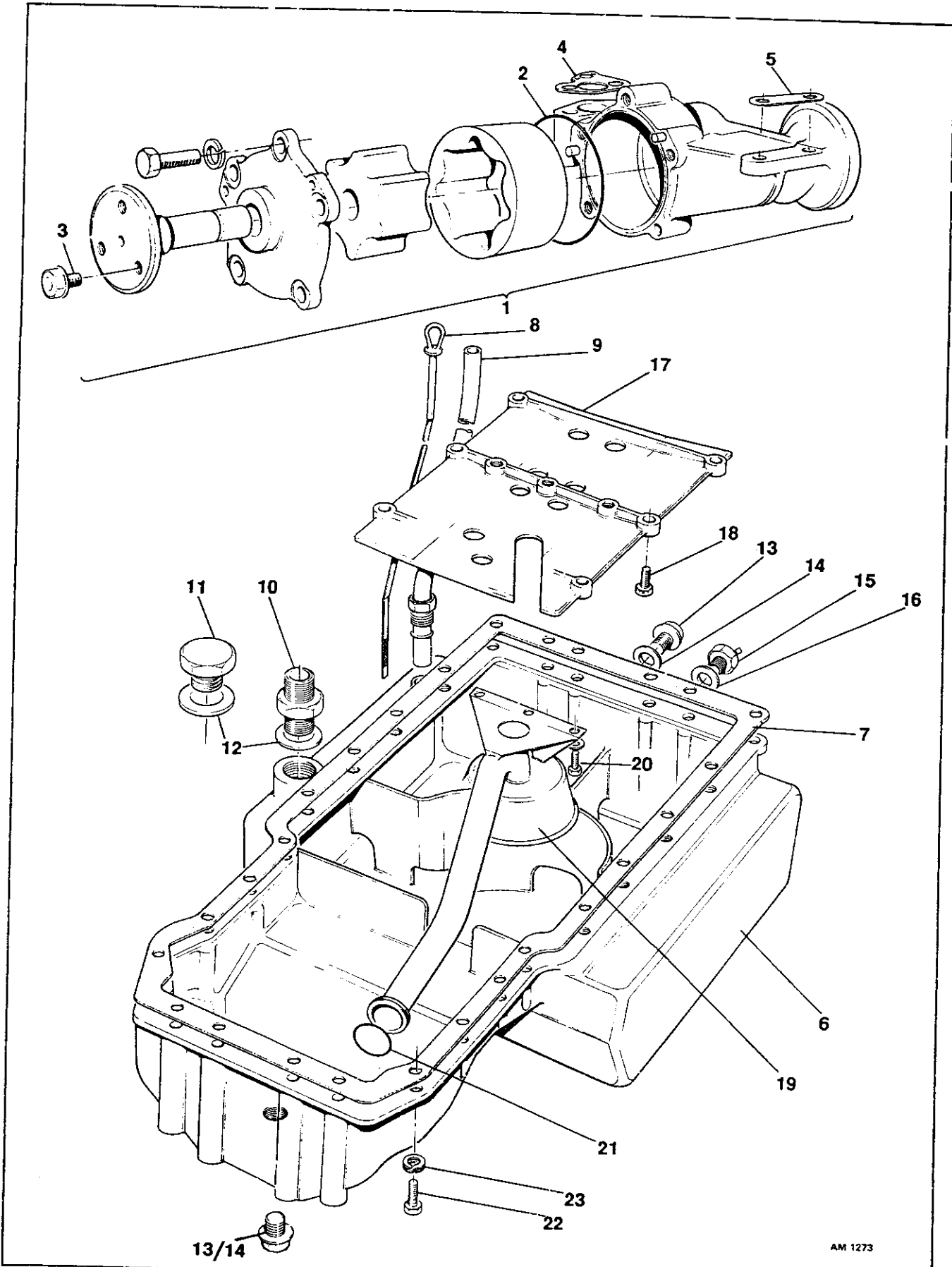
## ENGINE

Timing Case  
Belts and Chains

Illus. No.	Part No.	Description	Qty.	Remarks
1	05.14647	Belt - crankshaft/water pump/power steering pump	2	Cars from 1977 to 1981
2	080.009.0121	Belt - crankshaft/alternator, 1/2 in. top width	1	Early cars
-	09.14653	Belt - crankshaft/alternator, 3/8 in. top width	1	Cars up to Chassis No. 13020
-	09.16998	Belt - crankshaft/alternator, 3/8 in. top width	1	Cars from Chassis No. 13021
-	07.17897	Belt - crankshaft/alternator, 3/8 in. top width	1	Service modification. Certain early cars with 2.1 in. dia. alternator pulleys
3	09.21024	Belt - crankshaft/alternator	1	EFI cars
4	89.10922	Belt - crankshaft/air-conditioning compressor	1	Early compressor, 1977-1981
5	89.16806	Belt - crankshaft/air-conditioning compressor	1	Later compressor. Cars with rear air conditioning
6	89.17954	Belt - crankshaft/air-conditioning compressor	1	Emission control engines, USA
7	05.17002	Belt - water pump/air-injection pump	1	
-	07.17896	Belt - water pump/air-injection pump	1	Carburettor engines, Canada
8	07.17896	Belt - water pump/air-injection pump	1	Emission control engines, USA
9	07.22097	Belt - water pump/air-injection pump	1	EFI cars
10	07.21021	Belt - water pump/air-injection pump	1	EFI cars, USA and Japan
11	12.12164	Belt - water pump/hydraulic fan pump	1	European cars 1977 to 1981
12	07.17897	Belt - water pump/air-injection catalyst pump	1	Emission control engines, USA
13	05.17002	Belt - crankshaft/alternator/water pump	2	
14	24.17176	Belt - crankshaft/power steering pump	1	
15	24.21026	Belt - crankshaft/power steering pump	1	EFI cars
16	05.21030	Belt - crankshaft/water pump/air conditioning compressor	2	EFI cars
17	080.003.0105	Chain - primary, 70 pitches	1	
18	080.003.0106	Chain - secondary, 118 pitches	2	
19	080.003.0107	Chain - oil pump drive, 60 pitches	1	

ENGINE

Oil Pump and Sump



13/14

AM 1273





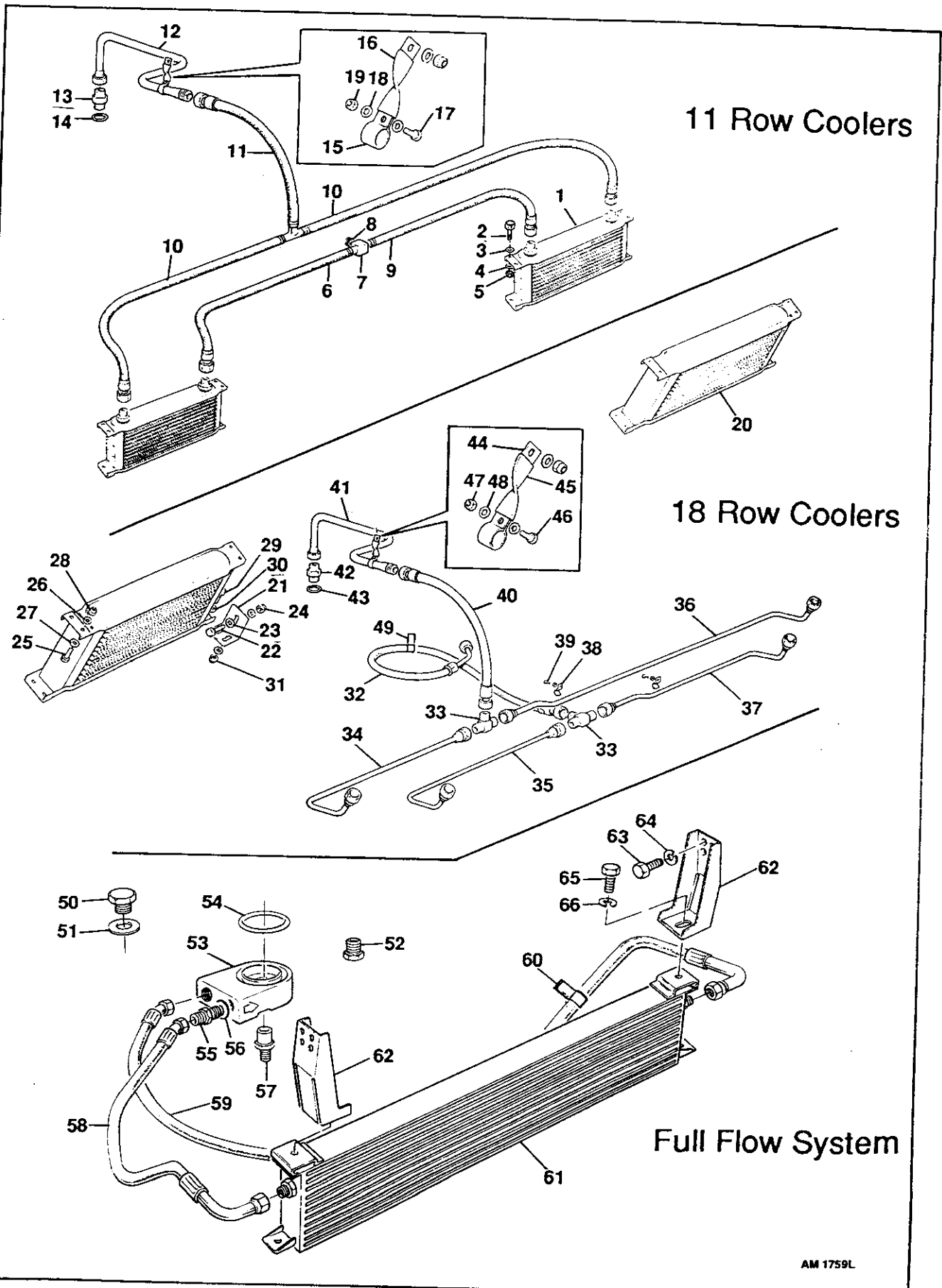
## ENGINE

## Oil Pump and Sump

Illus No.	Part Number	Description	Qty	Remarks
1	04.21089	OIL PUMP ASSEMBLY	1	Supply 3 screws, Pt. No. 04.21086 with this item
2	020.004.0700	'O' Ring	1	
3	04.21086	Screw, Durloc, M6 x 8	3	Sprocket to oil pump
-	690676	Screw, 1/4 in. UNF	3	Sprocket to oil pump(early cars)
4	080.004.0102	Joint	1	Oil pump delivery to cylinder block
5	080.004.0103	Joint	2	Oil pump mounting to cylinder block
-	690019	Nut, Nyloc, 5/16 in. UNF	4	} Oil pump to cylinder block
-	119471	Washer, plain, 5/16 in.	4	
6	04.10605	SUMP	1	
-	04.22414	SUMP	1	} Cars with vacuum flourescent instrumentation
-	04.26694	SUMP, without oil return pipe hole. From Nov.1989	1	
-	04.26697	SUMP ASSEMBLY, without oil return pipe hole	1	
-	04.26335	Sump	1	} Cars from chassis no. 13634 approx. Dec. 1989. With VF instruments.
-	04.26444	Baffle, fixed, RH	1	
-	04.26445	Baffle, fixed, LH	1	
-	694427	Screw, 10-24 UNC x 1/2 in.	8	
-	04.26438	Baffle flap assembly, hinged, RH	1	
-	04.26439	Baffle flap assembly, hinged, LH	1	
7	080.004.0114	Joint	1	Sump to cylinder block
8	04.10624	Dipstick	1	
9	080.004.0005	Tube, dipstick	1	
-	04.21760	Dipstick, spring type	1	} EFI cars
-	04.21667	Tube, dipstick	1	
-	080.004.0119	Bracket, dipstick support tube	1	
-	110807	Bolt, 2BA x 1 in. long	2	
-	690484	Nut, Nyloc, 2BA	1	
10	114984	Union, 3/4 in. BSP	1	Oil cooler return
11	095.001.0107	Plug, blanking, 3/4 in. BSP	1	Cars from chassis no. 13540
12	691564	Washer, sealing, 3/4 in. BSP	1	
13	691683	Oil drain plug, 1/2 in. BSP, magnetic	2	
14	04.20790	Washer, copper, drain plug	2	
15	38.14039	Oil temperature sender, 5/8 in. UNF	1	
-	38.20037	Oil temperature sender, 5/8 in. UNF	1	Stamped 115A. For cars with 3-screen instrumentation
16	022.033.0202	Washer, copper, 5/8 in.	1	
-	37.21872	Oil temperature sender, M14	1	} Cars with vacuum flourescent instrumentation
-	693376	Washer, copper, M14	1	
17	04.10606	Baffle plate, sump	1	
18	692216	Bolt, 5/16 in. UNC x 1.1/4 in. long	6	Baffle plate to cylinder block
19	04.10609	Oil strainer assembly	1	
20	692217	Screw, Durlok, 1/4 in. UNC x 5/8 in. long	3	Oil strainer to baffle plate
-	692672	Screw, Durlok, M6 x 16	3	Oil strainer to baffle plate (later cars)
21	692125	'O' Ring	1	
22	510509	Screw, 5/16 in. UNC x 1.1/8 in. long	8	} Sump to cylinder block
23	111902	Washer, double coil, 5/16 in.	26	
-	510508	Screw, 5/16 in. UNC x 1 in. long	14	
-	500534	Bolt, 5/16 in. UNC x 4.1/4 in. long	2	
-	500530	Bolt, 5/16 in. UNC x 3.3/4 in. long	2	
-	-	Locking wire	as reqd	

# ENGINE

## Oil Cooling System



## ENGINE

## Oil Cooling



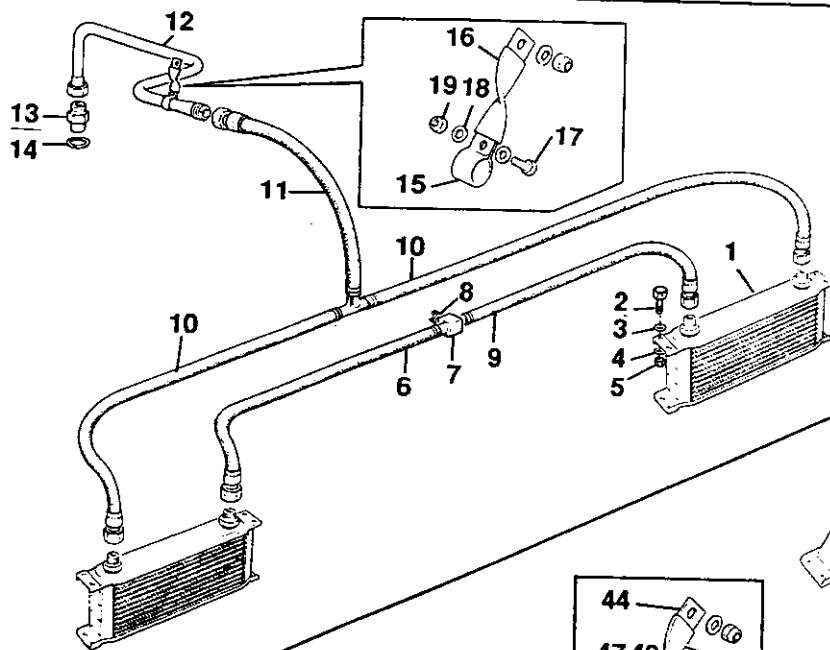
Illus. No.	Part No.	Description	Qty.	Remarks
		<b>11 ROW COOLERS (Fitted to most cars up to Chassis No. 13104)</b>		
-	44.12002	Panel, engine oil cooler mounting, RH	1	
-	44.12003	Panel, engine oil cooler mounting, LH	1	
-	692205	Rivet, 1/8 in. diam., copper	32	
1	069.044.0100	Oil cooler, engine, 1/2 in. BSP	2	
2	692088	Setscrew, M6 x 16	8	} Oil coolers to panels
3	692046	Washer, spring, M6	8	
4	692056	Washer, plain, M6	8	
5	692151	Nut, Nyloc, M6	8	
6	44.16997	Hose assembly, 45° bend	1	
7	44.11258	Tee piece, 1/2 in. BSP	1	
8	692237	Running nut union, 1/2 in. BSP	1	
-	692238	Seal	1	Tee piece to adaptor
9	44.11291	Hose assembly, 90° bend	1	Tee piece to LH oil cooler
10	44.11288	Hose assembly	1	Oil coolers interconnection
11	44.11289	Hose assembly	1	Tee piece to return pipe
12	44.10929	Return pipe	1	
13	114984	Union, 3/4 in. BSP	1	
14	691564	Washer, 3/4 in. BSP	1	
15	44.11232	Bracket, return pipe	1	
16	691951	Sleeve	as reqd.	
17	691270	Bolt, 2BA x 1/2 in. long	1	
18	119496	Washer, plain, 3/16 in.	2	
19	690484	Nut, Nyloc, 2BA	1	
		<b>18 ROW COOLERS</b>		
		<b>3/4 in. BSP oil coolers were fitted to certain cars between Chassis Nos. 13038 and 13120.</b>		
		<b>1/2 in. BSP oil coolers were fitted from Chassis No. 13121.</b>		
-	44.16530	Panel assembly, engine oil cooler mounting, RH	1	
-	44.16531	Panel assembly, engine oil cooler mounting, LH	1	
-	692205	Rivet, 1/8 in. diam., copper	40	
20	44.16813	Oil cooler, engine, 1/2 in. BSP	2	Cars from Chassis No. 13121
-	44.16567	Oil cooler, engine, 3/4 in. BSP	2	Certain cars between Chassis Nos. 13038 and 13120
21	44.16535	Mounting bracket	2	
22	692088	Setscrew, M6 x 16	2	} Mounting bracket to radiator panel
23	692056	Washer, plain, M6	2	
24	692151	Nut, Nyloc, M6	2	
25	692088	Setscrew, M6 x 16	4	} Oil coolers to panels
26	692056	Washer, plain, M6	4	
27	692046	Washer, spring, M6	4	
28	692151	Nut, Nyloc, M6	4	} Oil coolers to mounting brackets
29	692088	Setscrew, M6 x 16	4	
30	692056	Washer, plain, M6	4	
31	692151	Nut, Nyloc, M6	4	} Oil cooler feed
32	44.16997	Hose assembly	1	
-	01.16862	Restrictor assembly	1	

# ENGINE

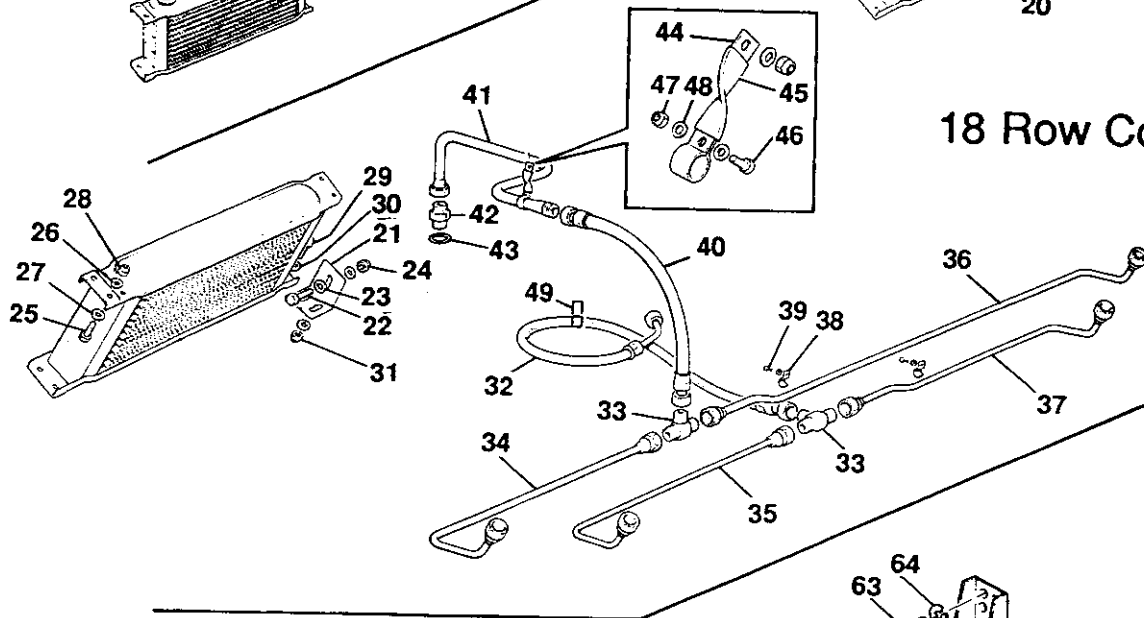
## Oil Cooling System



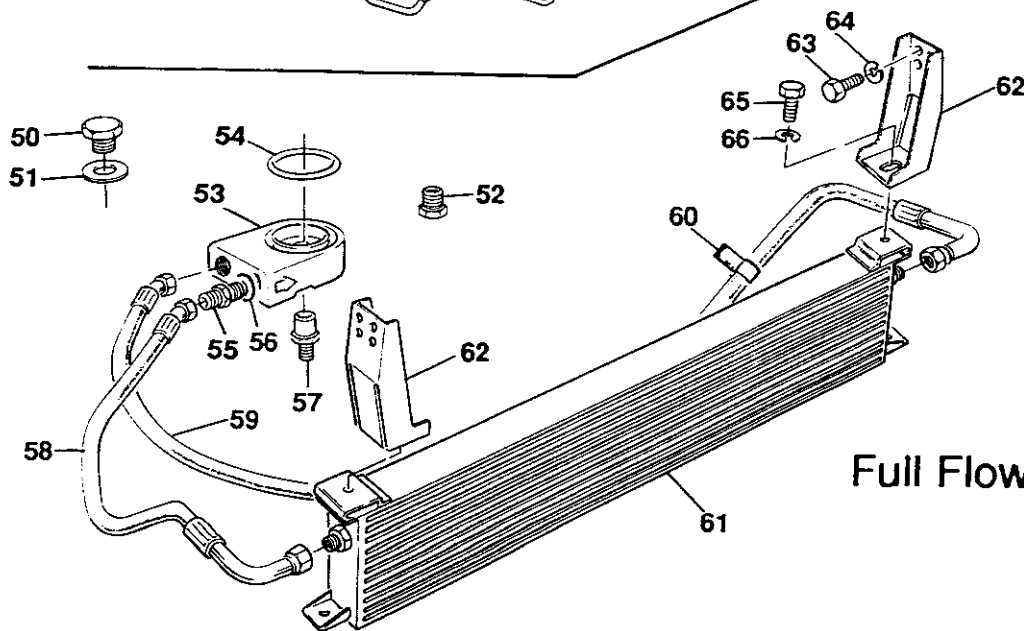
### 11 Row Coolers



### 18 Row Coolers



### Full Flow System



AM 1759L



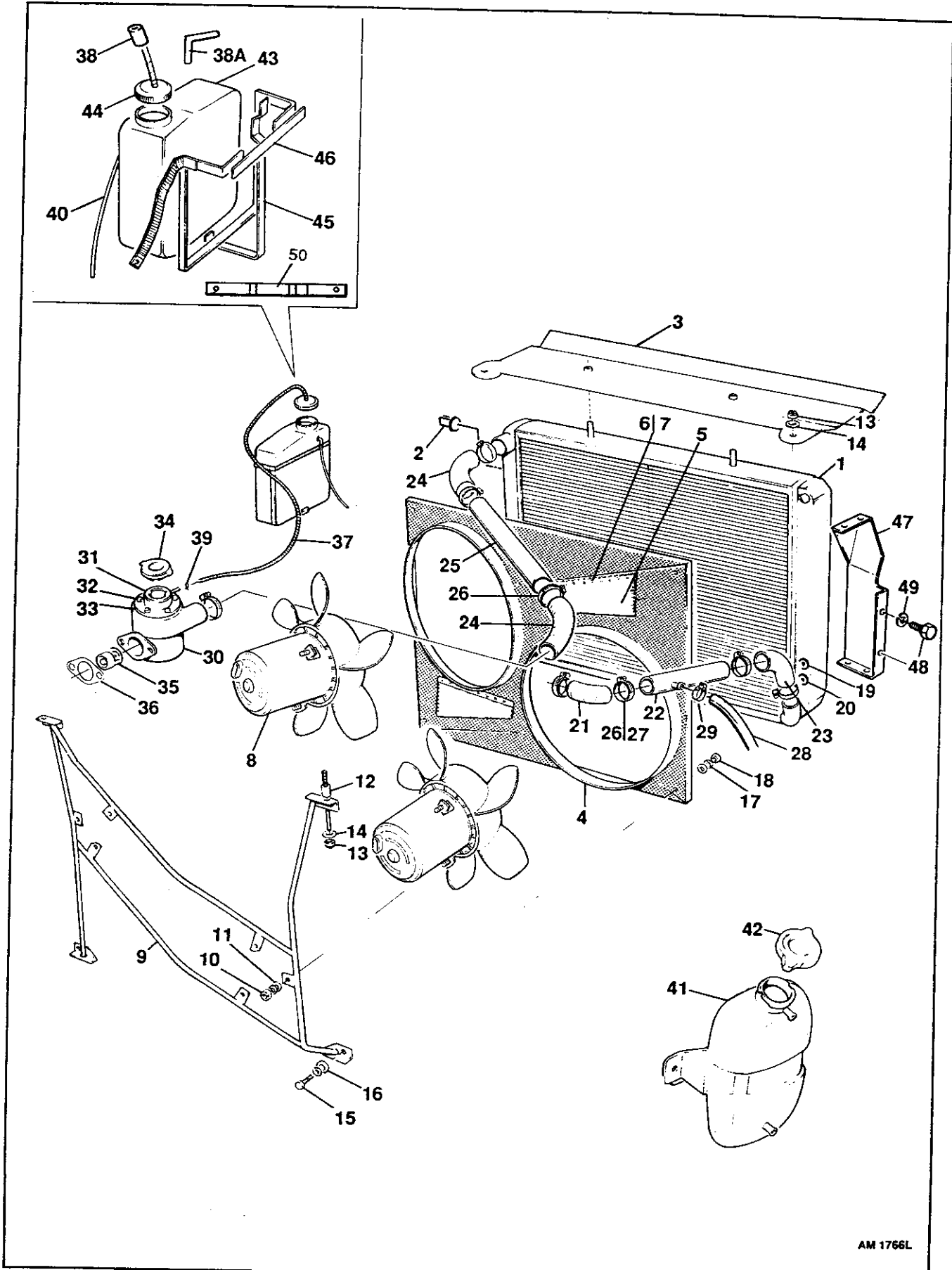
## ENGINE

## Oil Cooling

Illus No.	Part Number	Description	Qty	Remarks
33	44.11259	Tee piece, 1/2 in. BSP	2	
34	44.16726	Pipe assembly, RH outer	1	For 1/2 in. BSP oil coolers
-	44.16727	Pipe assembly, RH outer	1	For 3/4 in. BSP oil coolers
35	44.16728	Pipe assembly, RH inner	1	For 1/2 in. BSP oil coolers
-	44.16729	Pipe assembly, RH inner	1	For 3/4 in. BSP oil coolers
36	44.16730	Pipe assembly, LH outer	1	For 1/2 in. BSP oil coolers
-	44.16731	Pipe assembly, LH outer	1	For 3/4 in. BSP oil coolers
37	44.16732	Pipe assembly, LH inner	1	For 1/2 in. BSP oil coolers
-	44.16733	Pipe assembly, LH inner	1	For 3/4 in. BSP oil coolers
38	080.034.0111	Pipe clip, oil pipes	2	
39	691332	Screw, PK., No. 10 x 1/2 in.	2	
40	069.044.0103	Hose assembly, return	1	
-	44.22237	Hose assembly, return	1	EFI cars
41	44.10929	Return pipe	1	
-	44.21050	Return pipe	1	EFI cars
42	114984	Union, brass, 3/4 in. BSP	1	Cars up to end of 1982
-	692755	Union, mild steel, 3/4 in. BSP	1	Cars from the end of 1982
43	691564	Washer, 3/4 in. BSP	1	
44	44.11232	Bracket	1	
45	691951	Sieve	as reqd	
46	691270	Bolt, 2BA x 1/2 in. long	1	
47	690484	Nut, Nyloc, 2BA	1	
48	119496	Washer, plain, 3/16 in.	2	
49	020.037.0188	'P' clip	1	Feed hose to sump support (Modify fixing holes)
<b>FULL FLOW SYSTEM</b> (Fitted to cars from Chassis No. 13540)				
50	095.001.0107	Sump plug, 3/4 in. BSP	1	} Blanks off the oil return pipe hole in the sump
51	691564	Washer, copper, 3/4 in. BSP	1	
52	114163	Plug, 1/2 in. BSP	1	Oil filter housing
53	44.22854	Adaptor, oil cooler	1	
54	44.21725	'O' Ring	1	Adaptor to oil filter housing
55	691569	Union, double-ended, 3/4 in. BSP	2	
56	691564	Washer, copper, 3/4 in. BSP	2	
57	44.22999	Bolt, special	1	Adaptor to oil filter
58	44.25223	Hose assembly, 750 mm long	1	
-	44.25477	Hose assembly, 650 mm long	1	From approx. Sept. 1987
59	44.25224	Hose assembly, 1550/1500 mm long	1	
60	069.032.0138	'P' clip, oil hoses	2	
-	692005	Bolt, M5 x 16	2	} 'P' clips to chassis
-	692251	Rivnut, M5	2	
61	44.25492	Oil cooler, 10 row	1	
62	44.25225	Mounting bracket, oil cooler	2	
-	44.25682	Mounting bracket, oil cooler	2	From approx. August 1987
63	692146	Bolt, M6 x 20	4	} Brackets to chassis. 2 of each only required with later bracket
64	692046	Washer, spring, M6	4	
65	692087	Bolt, M8 x 20	2	} Oil cooler to brackets
66	692047	Washer, spring, M8	2	

# ENGINE

## Water Cooling



AM 1766L



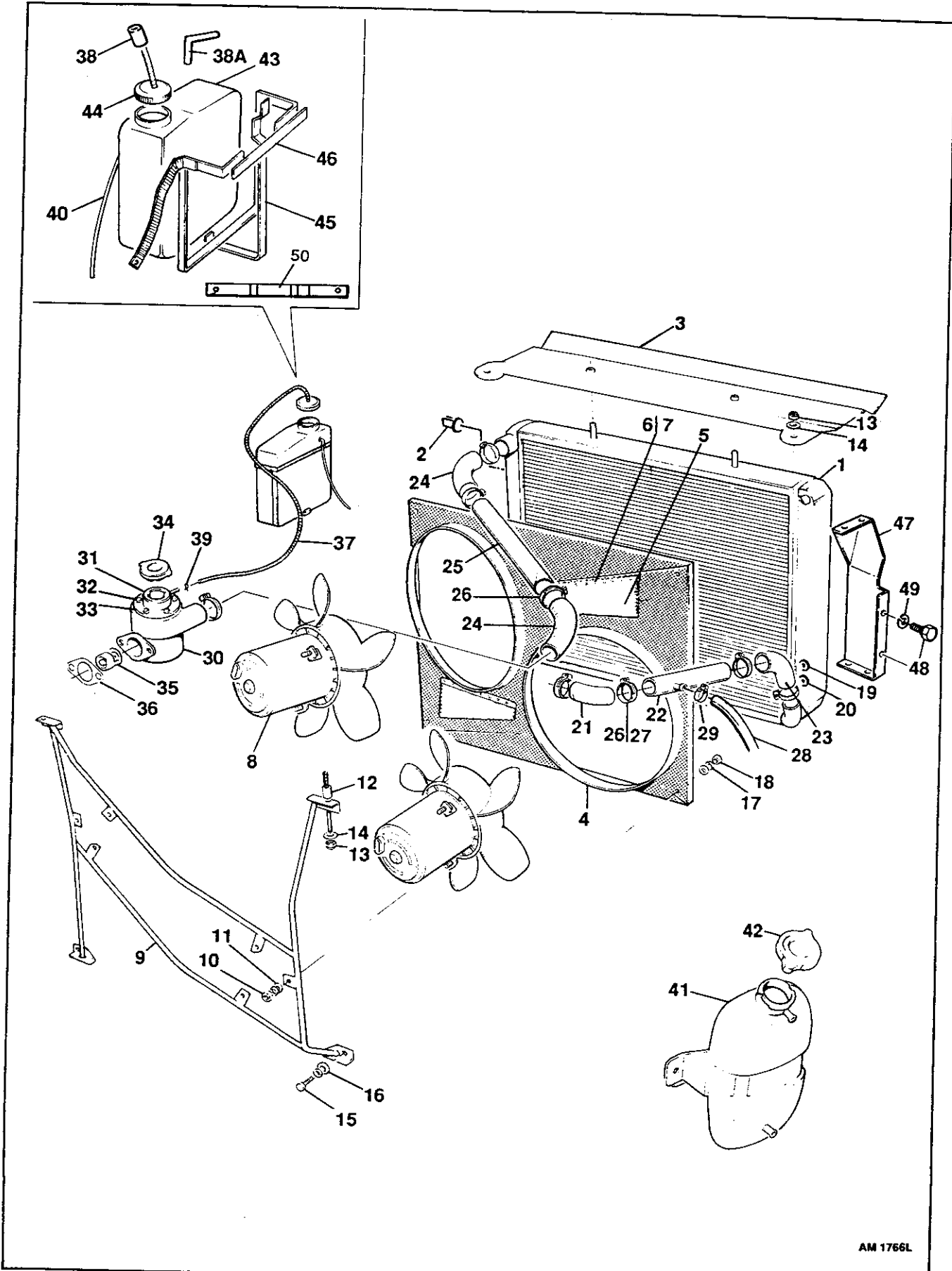
## ENGINE

## Water Cooling

Illus No.	Part Number	Description	Qty	Remarks
1	32.10847	RADIATOR ASSEMBLY	1	Early cars without rear air conditioning
-	32.17052	RADIATOR ASSEMBLY	1	} Cars with rear air-conditioning.
-	32.26425	RADIATOR ASSEMBLY From Jan. 1989	1	
2	37.14348	Low water sensor	1	
-	96.14783	Sensor eyelet, small	1	
-	96.14784	Sensor eyelet, large	1	
-	96.14781	Drain plug, plastic	2	} Early cars
-	96.14782	Washer, rubber, drain plug	2	
-	32.17583	Drain plug	2	} Later cars
-	095.033.0161	Washer	2	
-	692266	Grommet, radiator mounting	4	
3	32.15808	Radiator cowl and support top assembly	1	Cars up to chassis no. 13539
-	32.22373	Radiator cowl and support top assembly	1	Cars from chassis no. 13540
-	692126	Screw, 'Posidrive', M4 x 8	8	
-	692044	Washer, spring, M4	6	
4	32.21406	Cowl, fans	1	} Use together to replace early fan cowl
-	693823	Blanking plug	4	
-	693302	Seal, cowl to radiator	2 mtrs	
5	012016	Flap, 8 in. x 5 in. (203 mm x 127 mm)	2	Cut to the required size
6	32.16528	Strap, cooling flap	2	
7	110859	Pop rivet	8	
8	37.23018	FAN AND MOTOR ASSEMBLY, 6-BLADED	2	} Replaces 4-bladed fans and motor assembly
-	693436	Terminal	4	
-	693434	Moulding	2	
-	693435	Moulding	2	
9	32.15794	Support frame, fan and motor	1	From approx. Mid. 1986. With fan resistor and relay brackets
-	32.22388	Support frame, fan and motor	1	
10	692151	Nut, Nyloc, M6	6	
11	692056	Washer, plain, M6	6	
12	692599	Mount, rubber	4	
13	692135	Nut, Nyloc, M8	8	
14	692057	Washer, plain, M8	8	
15	692215	Bolt, M5 x 20	4	
16	690257	Washer, plain, 3/16 in.	4	
17	692045	Washer, spring, M5	4	
18	692075	Nut, M5	4	
-	692262	Bolt, M6 x 12	4	
-	692151	Nut, Nyloc, M6	4	
-	692056	Washer, plain, M6	4	
19	37.15802	Switch, cooling fan, 87° C	1	
20	37.15803	Switch, cooling fan, 97° C	1	
-	32.15804	Bush	2	} Switch spares
-	32.15805	Clip	2	
-	020.032.0134	By-pass hose, water pump	1	Early cars
-	05.17116	By-pass hose, water pump	1	} Not EFI cars } cars with rear air-conditioning
-	05.21745	By-pass hose, water pump	1	
-	114679	Hose clips	2	
21	092.032.0104	Hose, tube to water pump	1	Early cars
-	32.17053	Hose, tube to water pump	1	} Not EFI cars } cars with rear air-conditioning
-	32.21609	Hose, tube to water pump	1	

# ENGINE

## Water Cooling



AM 1766L





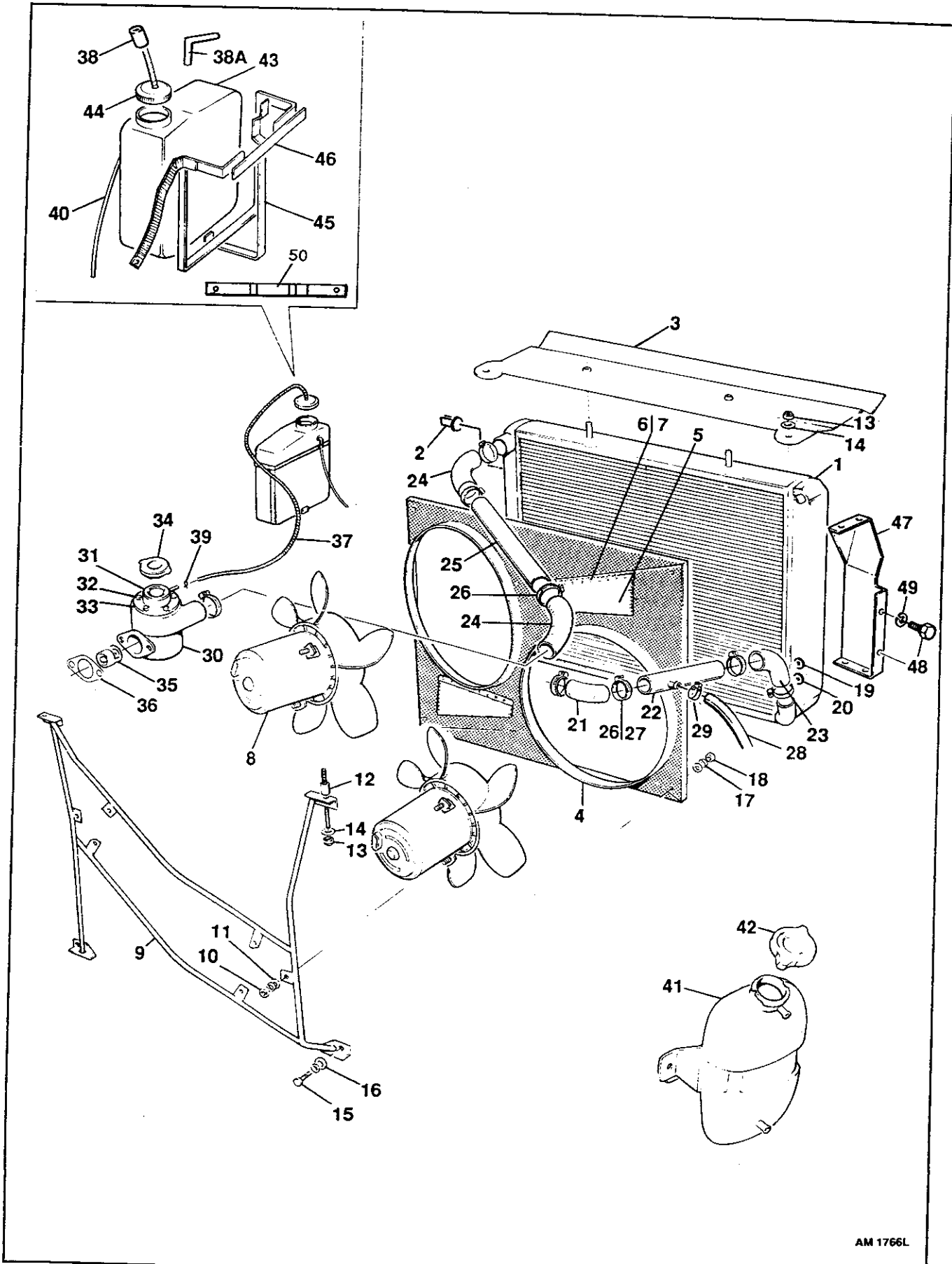
## ENGINE

## Water Cooling

Illus No.	Part Number	Description	Qty	Remarks
22	32.11585	Tube assembly, intermediate	1	Early cars
-	32.17054	Tube assembly, intermediate	1	Cars with rear air-conditioning
-	32.17922	Tube assembly, intermediate, with switch mounting	1	USA cars with rear air-conditioning } Not EFI cars
-	37.14630	Switch	1	
-	692520	Seal	1	
-	32.21751	Tube assembly, intermediate	1	All EFI cars
23	32.15503	Hose, tube to radiator	1	Early cars
-	32.17056	Hose, tube to radiator	1	Not EFI cars } cars with rear
-	32.21622	Hose, tube to radiator	1	EFI cars } air-conditioning
24	069.032.0141	Hose	2	
-	693150	'Loctite'	as reqd	Use at header tank end of item 24
25	32.11592	Tube, intermediate	1	
26	691408	Hose clip, 35 - 50 mm	8	Early cars
27	692000	Hose clip, 40 - 60 mm	4	Cars with rear air-conditioning
28	691919	Hose, water valve to tube	6 ft.	(1.8 metres)
29	691024	Hose clip, 20 - 32 mm	2	
30	03.11576	HEADER TANK ASSEMBLY	1	
-	03.26120	HEADER TANK ASSEMBLY	1	Cars from chassis no. 13578
31	095.003.0005	Filler neck assembly	1	
-	03.26117	Filler neck assembly	1	Cars from chassis no. 13578
32	691595	Screw, 10-24 UNC x 1/2 in. long	6	
-	119488	Washer, spring, 3/16 in.	6	Filler neck assembly to header tank bowl
33	080.003.0125	Gasket	1	
-	691462	Sealer	as reqd	
-	119471	Washer, plain, 5/16 in.	2	Header tank to timing case
-	123115	Nut, Nyloc, 5/16 in. UNF	2	
34	095.003.0102	Pressure cap	1	
-	03.26115	Pressure cap	1	Cars from chassis no. 13578. Not on cars with later single fan
-	080.003.0123	Sealing ring, pressure cap	1	
-	03.21287	Spacer, header tank extension piece, 1/4 in. thick	1	USA and emission control cars. Not Canadian carburettor cars Not EFI cars
-	03.17882	Header tank extension piece	1	
-	530508	Bolt, 5/16 in. UNF x 1 in. long	2	
-	119471	Washer, plain, 5/16 in.	4	
-	123115	Nut, Nyloc, 5/16 in. UNF	2	
35	095.003.0104	Thermostat, 74° C	1	Not EFI cars
-	095.003.0103	Thermostat, 82° C	1	EFI cars
36	080.003.0110	Joint, header tank to timing case	1	4 for USA and emission control carburettor cars, except Canadian.
37	692307	Hose, header to expansion tank	6 ft.	(1.8 metres)
38	34.21175	In-line adaptor	1	
38A	32.26267	In-line adaptor, right angled	1	From chassis nos: 13573/75
39	691786	Hose clip	1	Later cars
-	691787	Cable clip, plastic	3	
40	692319	Tube	1.5 ft	(457 mm) Later cars
-	691786	Hose clip, header tank hose	2	Early cars
41	092.032.0105	Expansion tank	1	
42	092.032.0106	Tank cap	1	
-	030.008.0058	Overflow tube	1.5 ft	(457 mm)

# ENGINE

## Water Cooling



AM 1766L



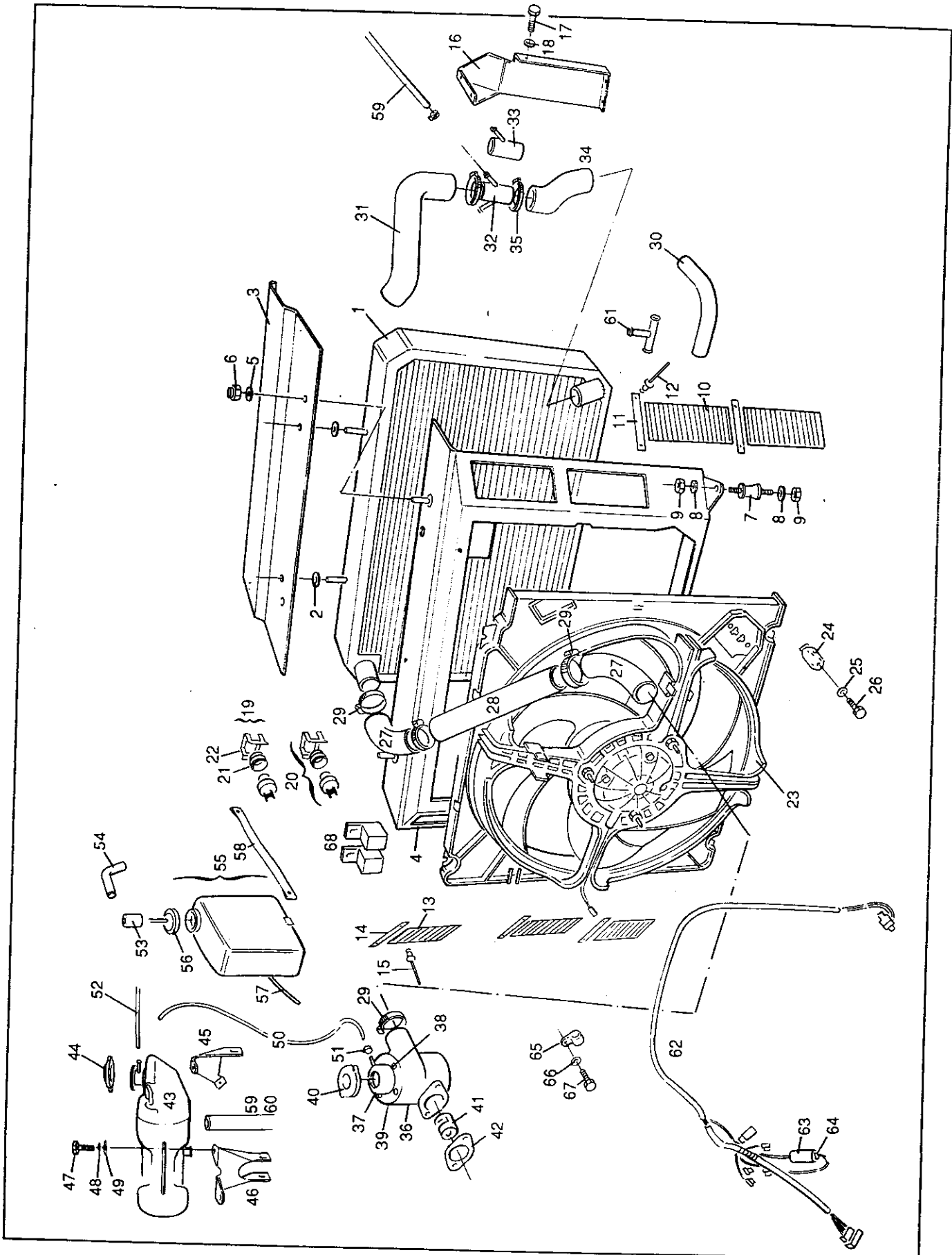
## ENGINE

## Water Cooling

Illus No.	Part Number	Description	Qty	Remarks
43	32.17338	Expansion tank	1	
-	32.17780	Connector, overflow tube, straight	1	Later cars
-	32.17141	Connector, overflow tube, angled	1	Early cars
44	32.17779	Cap and hose	1	Later cars
-	32.17058	Cap	1	Early cars
45	32.17059	Bracket and strap assembly	1	
46	32.17106	Support bar assembly	1	
-	692262	Screw, M6 x 12	4	} Frame to support bar
-	692056	Washer, plain, M6	4	
-	692046	Washer, spring, M6	4	
-	32.25772	Radiator side cowl, LH	1	
47	32.23921	Radiator side cowl, RH	1	
48	692005	Screw, M5 x 16	8	} Side cowls attachment
49	692045	Washer, spring, M5	8	
50	32.22686	Retaining strap, expansion tank	1	Cars from chassis no. 13540

ENGINE

Water Cooling





## ENGINE

## Water Cooling

Illus No.	Part Number	Description	Qty	Remarks
1	32.50760	RADIATOR ASSEMBLY	1	
2	692266	Grommet, radiator mounting	4	
3	32.22373	Radiator cowl and support top assembly	1	Cars from chassis no. 13540
-	692126	Screw, 'Posidrive', M4 x 8	2	
-	692044	Washer, spring, M4	2	
4	32.26514	Cowl, fan	1	
-	693302	Seal, cowl to radiator	2 mtrs	
5	692056	Washer, plain, M6	2	} Fan cowl to support top
6	692151	Nut, Nyloc, M6	2	
7	692599	Mount, rubber	2	
8	692057	Washer, plain, M8	4	
9	692135	Nut, Nyloc, M8	4	
10	32.26524	Rubber flap, fan cowl, RH	2	
11	32.26525	Retaining strip, flap	2	
12	110859	Pop rivet, 1/8 in.	4	
13	32.26526	Rubber flap, fan cowl, LH	3	
14	32.26527	Retaining strip, flap	3	
15	110859	Pop rivet, 1/8 in.	9	
-	32.25772	Radiator side cowl, LH	1	
16	32.23921	Radiator side cowl, RH	1	
17	692005	Screw, M5 x 16	8	} Side cowls attachment
18	692045	Washer, spring, M5	8	
-	690257	Washer, plain, 3/16 in. ID.	6	} Fan cowl attach
-	692452	Screw, M5 x 16, countersunk head	2	
19	32.52534	Switch, cooling fan, 95° C	1	
20	32.52535	Switch, cooling fan, 103° C	1	
21	32.15804	Bush	2	} Switch spares
22	32.15805	Clip	2	
23	32.26492	Electric fan and cowl assembly	1	
24	37.52615	Resister, fan speed	1	
25	692055	Washer, plain, M5	2	
26	692243	Screw, M5 x 16	2	
-	110859	Pop rivet, 1/8 in.	14	Fan to cowl attach
27	069.032.0141	Hose	2	
-	693150	'Loctite'	as reqd	Use at header tank end of item 27
28	32.11592	Tube, intermediate	1	
29	691408	Hose clip, 35 - 50 mm	4	
30	05.21745	By-pass hose, water pump	1	
-	114679	Hose clips, 16 - 25 mm	2	
31	32.21609	Hose, tube to water pump	1	
32	32.26528	Tube assembly, intermediate	1	RHD
33	32.21751	Tube assembly, intermediate	1	LHD
34	32.21622	Hose, tube to radiator	1	
35	692000	Hose clip, 40 - 60 mm	4	
-	03.11576	HEADER TANK ASSEMBLY	1	
36	03.26120	HEADER TANK ASSEMBLY	1	Cars from chassis no. 13578
-	095.003.0005	Filler neck assembly	1	
37	03.26117	Filler neck assembly	1	Cars from chassis no. 13578
38	691595	Screw, 10-24 UNC x 1/2 in. long	6	} Filler neck assembly to header tank bowl
-	119488	Washer, spring, 3/16 in.	6	
39	080.003.0125	Gasket	1	
-	691462	Sealer	as reqd	





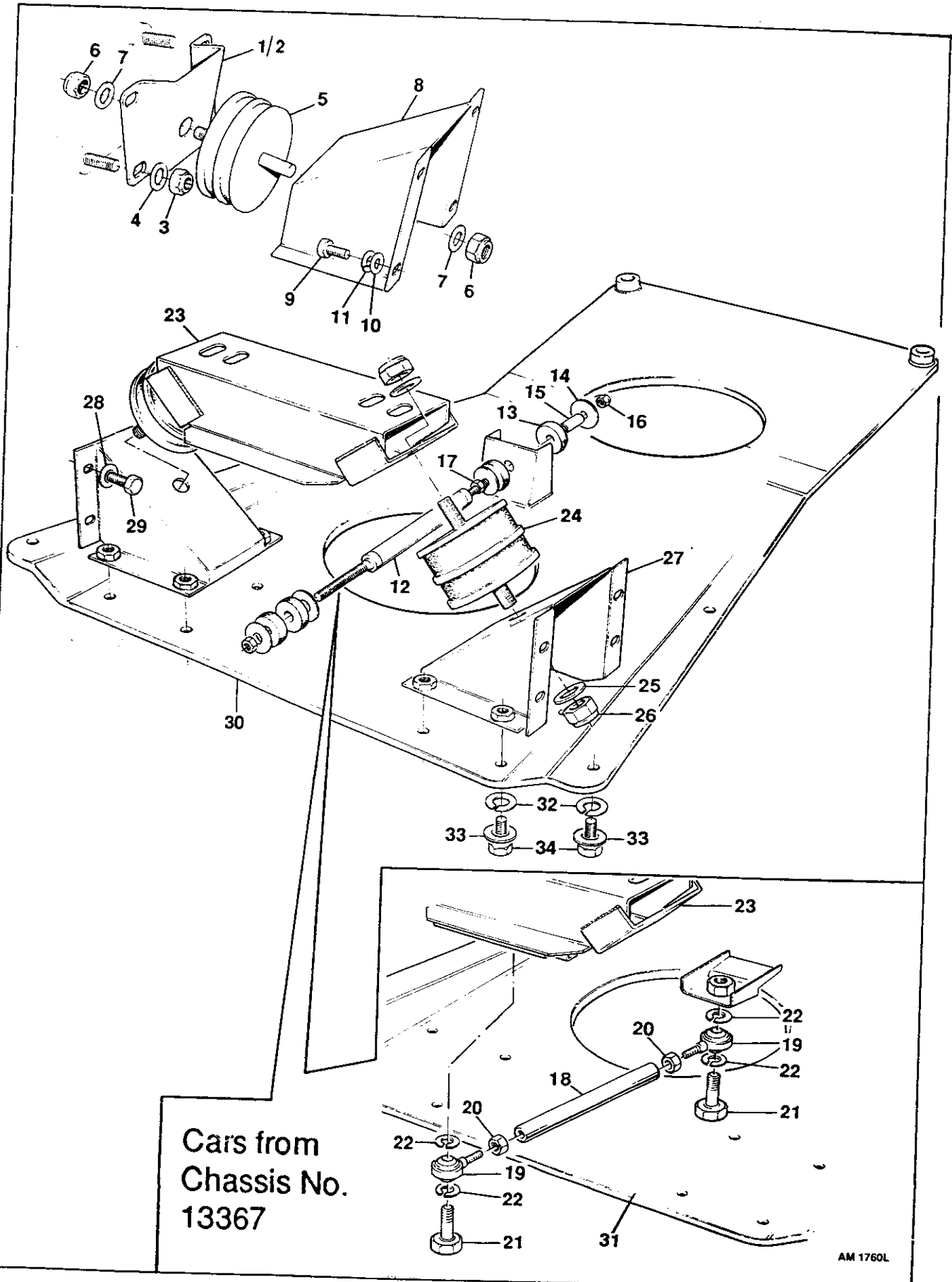
## ENGINE

## Water Cooling

Illus No.	Part Number	Description	Qty	Remarks
-	119471	Washer, plain, 5/16 in.	2	} Header tank to timing case
-	123115	Nut, Nyloc, 5/16 in. UNF	2	
40	092.032.0106	Cap	1	
-	080.003.0123	Sealing ring, pressure cap	1	
41	095.003.0104	Thermostat, 74° C	1	Hot climate cars
-	095.003.0103	Thermostat, 82° C	1	Cool climate cars
42	080.003.0110	Joint, header tank to timing case	1	
43	32.52442	Expansion tank	1	RHD
-	32.52321	Expansion tank	1	LHD
44	32.52322	Cap, expansion tank	1	
45	32.26613	Mounting bracket, forward	1	RHD
-	32.26611	Mounting bracket, forward	1	LHD
46	32.26615	Mounting bracket, rear	1	RHD
-	32.26591	Mounting bracket, rear	1	LHD
-	692215	Screw, M5 x 20	2	} Bracket fixings
-	693793	Washer, plain, M5	2	
-	692088	Screw, M6 x 16	2	
-	690386	Washer, plain, 1/4 in.	2	} Expansion tank to brackets
47	692088	Screw, M6 x 16	3	
48	692046	Washer, spring, M6	3	
49	690386	Washer, plain, 1/4 in.	3	
50	692644	Hose, header tank to expansion tank	as reqd	
51	692613	Hose clip, 8 - 16 mm	2	
52	692644	Hose, expansion tank to overflow expansion tank	as reqd	
-	692613	Hose clip, 8 - 16 mm	2	
53	34.21175	In-line adaptor	1	
54	32.26267	In-line adaptor, right angled	1	From chassis nos: 13573/75
-	691786	Hose clip	1	
-	691787	Cable clip, plastic	3	
55	32.17338	Expansion tank	1	
-	32.17780	Connector, overflow tube, straight	1	
56	32.17779	Cap and hose	1	
57	692319	Tube	1.5 ft	(457 mm)
58	32.22686	Retaining strap	1	
59	691919	Hose, expansion tank to lower tube	as reqd	RHD. See section 8.1C for water valve hose
-	114679	Hose clip, 16 - 25 mm	2	RHD
60	691919	Hose, expansion tank to tee	as reqd	LHD. See section 8.1C for water valve hose
61	32.26592	Tee-piece, water valve hose	1	LHD
-	114679	Hose clip, 16 - 25 mm	6	LHD
62	-	Fan harness	1	See section 6.3D
-	692704	Terminal socket	2	
-	692703	Terminal pin	2	
-	692843	Socket housing, 2 way	1	
-	692832	Pin housing, 2 way	1	
63	37.15115	Delay unit	1	
64	37.15116	Resister	1	
-	693488	'P' Clip	1	
65	692525	'P' Clip, nylon, 1/4 in.	5	} Fan harness to cowl
66	692054	Washer, plain, M4	5	
67	692210	Screw, M4 x 12	5	
68	37.21063	Relay, square, silver or black, 4RA	2	} Relays to fan cowl
-	692054	Washer, plain, M4	2	
-	692126	Screw, M4 x 8	2	

# ENGINE

## Engine Mountings





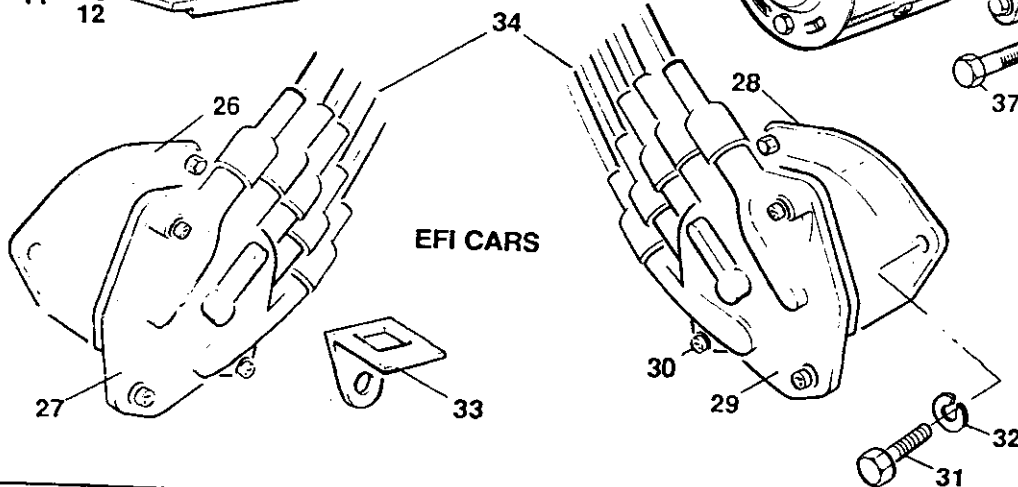
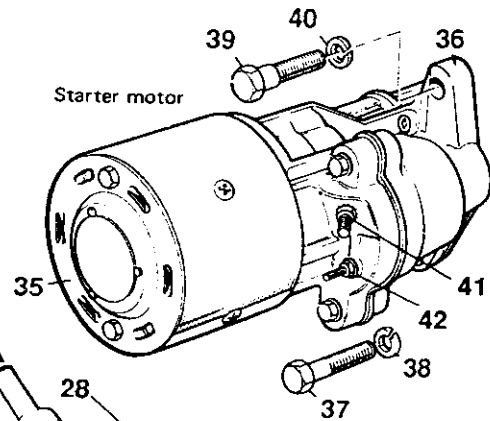
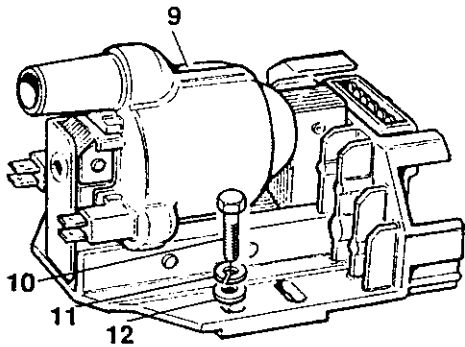
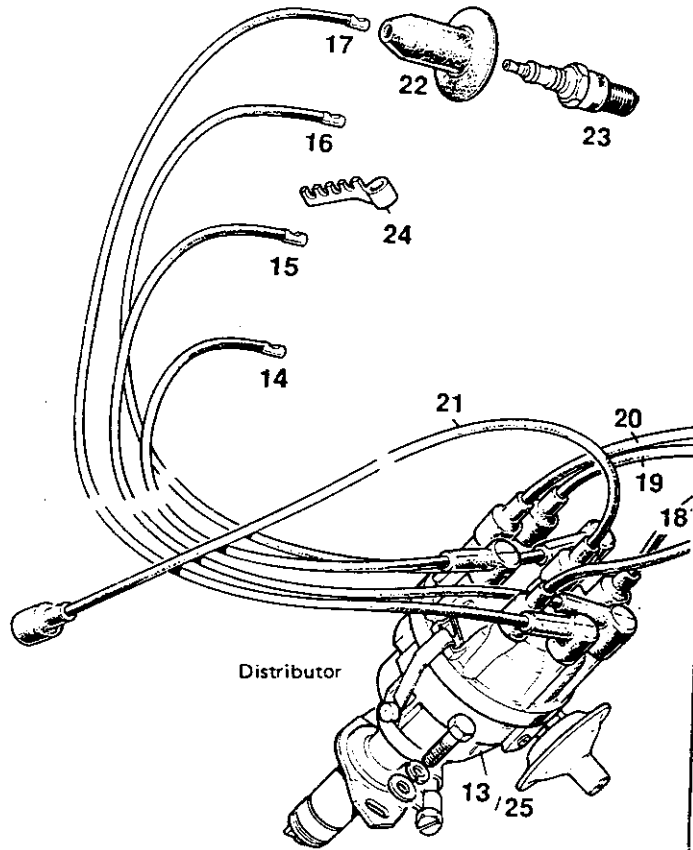
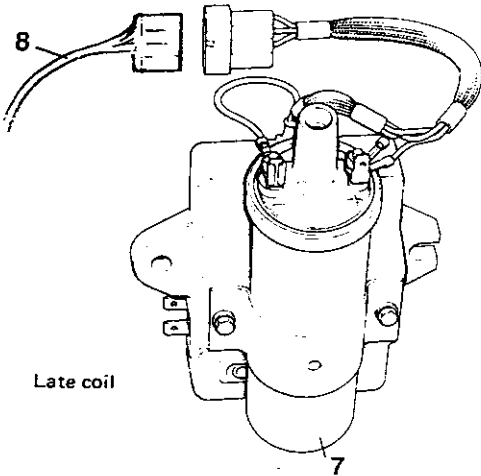
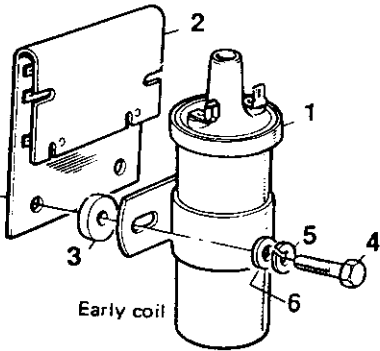
## ENGINE



## Engine Mountings

Illus. No.	Part No.	Description	Qty.	Remarks
1	095.010.0003	Bracket, engine mounting, front, LH	1	
2	095.010.0004	Bracket, engine mounting, front, RH	1	
3	123115	Nut, Nyloc, 5/16 in. UNF	8	
4	119471	Washer, plain, 5/16 in.	8	
5	095.010.0101	Rubber mounting	2	
6	692034	Nut, Nyloc, M10	4	
7	690919	Washer, plain	4	
8	10.11064	Bracket assembly, engine mounting	2	
9	692087	Screw, hexagon head, M8 x 20	8	
10	692057	Washer, plain, M8	8	
11	692047	Washer, spring, M8	8	
-	020.010.0116	Shim, thin, mounting, metal	4	
-	020.010.0166	Shim, thick, mounting, metal	2	
12	080.010.0006	Strut assembly, engine stay	1	
13	020.034.0118	Rubber bush	4	} Cars up to Chassis No. 13366
14	690407	Washer, special	4	
15	020.010.0173	Distance tube	2	
16	123115	Nut, Nyloc, 5/16 in. UNF	2	
17	542005	Locknut, 5/16 in. UNF	2	
18	10.19838	Rod, engine stay	1	} Cars from Chassis No. 13367
19	70.18983	End bearing	2	
20	692077	Nut, M8	2	
21	692129	Bolt, M8 x 25	2	
22	692047	Washer, spring, M8	4	
23	42.10741	Bracket assembly, gearbox	1	} Bracket to gearbox
-	510706	Bolt, 7/16 in, UNC x 3/4 in. long	2	
-	114139	Washer, 7/16 in.	2	
24	095.010.0102	Rubber mounting	2	
25	690919	Washer, plain	4	
26	692034	Nut, Nyloc, M10	4	
27	42.10730	Bracket assembly, gearbox	2	
28	692047	Washer, spring, M8	8	
29	692089	Bolt, M8 x 16	8	
30	42.11299	Panel	1	Cars up to Chassis No. 13366
31	42.19834	Panel	1	Cars from Chassis No. 13367
32	692047	Washer, spring, M8	14	
33	692057	Washer, plain, M8	14	
34	692089	Bolt, M8 x 16	14	

**ENGINE**  
Electrical  
Coil, Distributor and Starter Motor



AM 1783

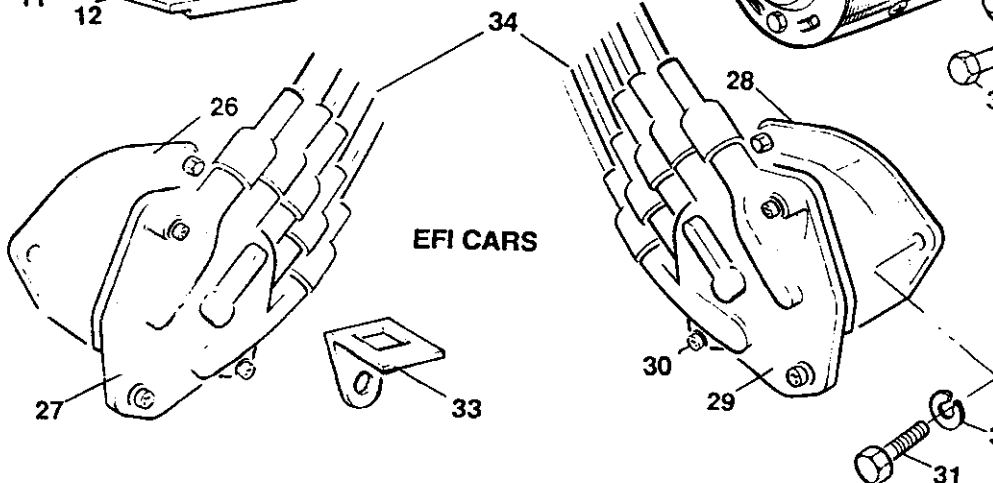
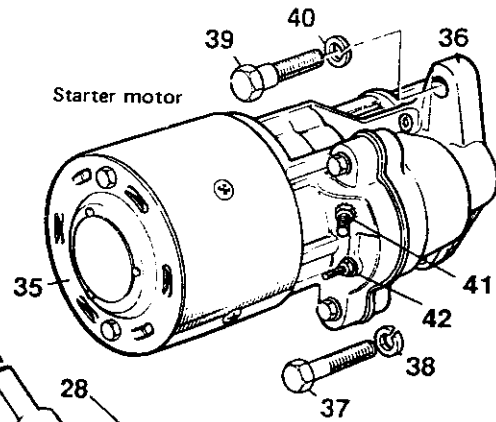
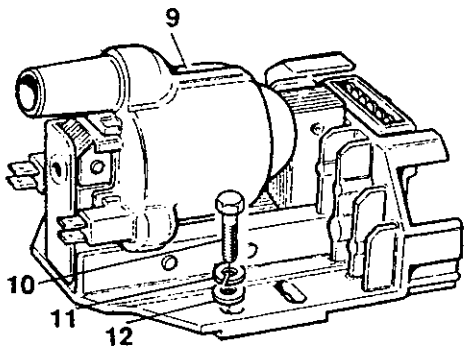
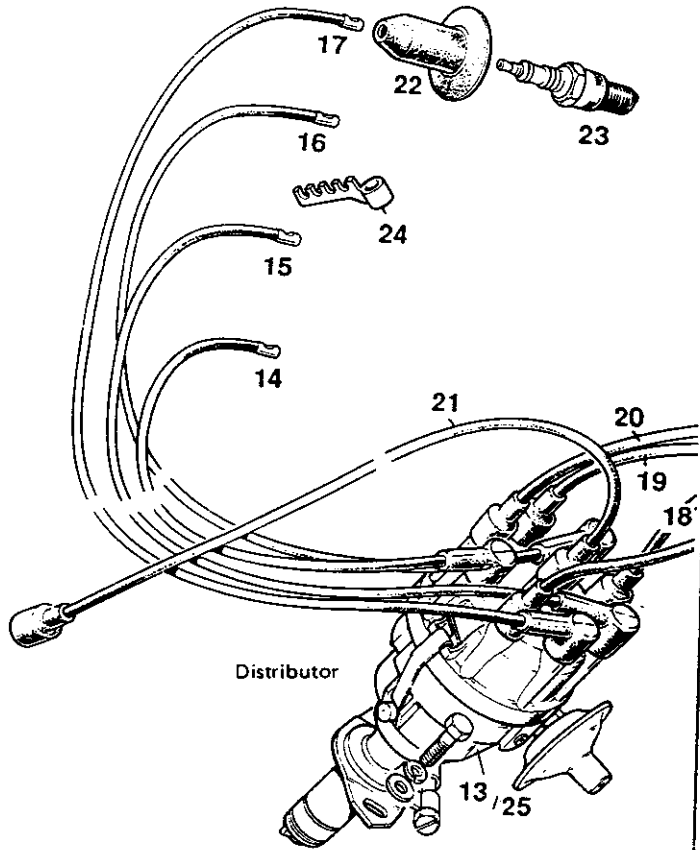
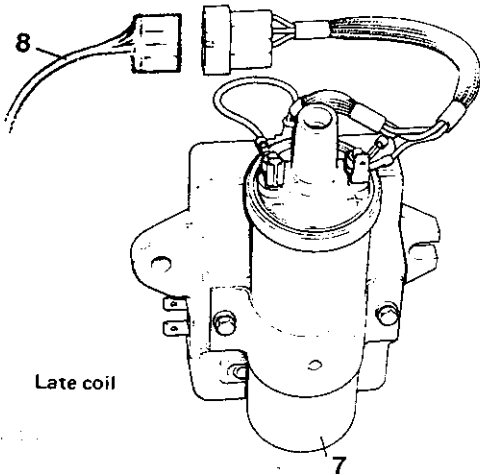
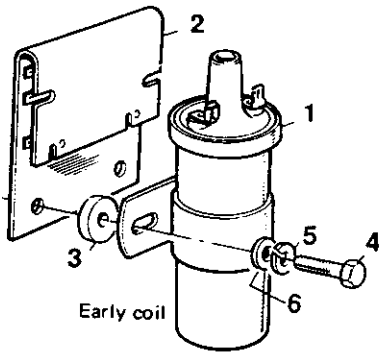
**ENGINE****Electrical****Coil, Distributor and Starter Motor**

Illus No.	Part Number	Description	Qty	Remarks
1	07.12110	IGNITION COIL	1	Cars up to chassis no. 13029
-	07.14831	IGNITION COIL	1	Cars from chassis no. 13030 to 13197
2	07.12111	Resister	1	Cars up to chassis no. 13029
-	07.14678	Resister	1	Cars from chassis no. 13030 to 13197
3	069.064.0050	Spacer, coil to resister	2	Cars up to chassis no. 13197
4	692129	Screw, M8 x 25	2	
5	692047	Washer, spring, M8	2	
6	692057	Washer, plain, M8	2	
7	07.18000	Coil/amplifier unit	1	"Constant Energy ignition" Cars from chassis no. 13198
-	692740	Harness plug	1	
-	692704	Terminal	2	
8	07.18002	Trigger lead	1	Cars with 3-screen instrumentation
-	07.20118	Trigger lead	1	
9	07.20015	IGNITION COIL WITH POWER MODULE	2	
10	690800	Bolt, 5/16 in. UNF x 3/4 in. long	4	} Ignition coil } EFI cars } fixings }
11	110954	Washer, spring, 5/16 in.	4	
12	119471	Washer, plain, 5/16 in.	4	
-	123115	Nut, Nyloc, 5/16 in. UNF	4	
13	07.11332	DISTRIBUTOR	1	Cars up to chassis no. 13029
-	07.14830	DISTRIBUTOR (now obsolete, use C.E. ignition)	1	Cars from chassis no. 13030 to 13197
-	07.18209	Distributor cap	1	
-	07.18210	Rotor arm	1	
-	96.14663	Timing disc	1	Cars up to chassis no. 13197
-	96.14664	Pick-up module/amplifier	1	Cars up to chassis no. 13029
-	07.17246	Pick-up module/amplifier	1	Cars from chassis no. 13030 to 13197
-	96.15446	Suppressor	1	Cars up to chassis no. 13197
-	96.15445	Vacuum unit	1	Cars up to chassis no. 13029
-	07.17247	Vacuum unit	1	Cars from chassis no. 13030
-	080.007.0713	'O' Ring seal	1	
-	692546	Tube, Nylon, vacuum	as reqd	
-	080.007.0116	Driven pinion	1	Not EFI cars
-	07.21757	Ignition lead set	1	Later cars, not EFI
14	080.007.0117	Ignition lead assembly, No. 1, 18 in.	1	
15	080.007.0118	Ignition lead assembly, No. 2, 21 in.	1	
16	080.007.0119	Ignition lead assembly, No. 3, 27.5 in.	1	
17	080.007.0120	Ignition lead assembly, No. 4, 32 in.	1	
18	080.007.0122	Ignition lead assembly, Nos. 5 & 6, 32 in.	1	
19	080.007.0123	Ignition lead assembly, No. 7, 39 in.	1	
20	080.007.0124	Ignition lead assembly, No. 8, 42 in.	1	
21	07.14733	Ignition lead assembly, coil to distributor, 32 in.	1	
22	080.007.0126	Ignition lead shroud	8	Part of ignition leads
23	07.13297	SPARK PLUG, BPR 6EV	8	Cars up to chassis no. 13029
-	07.14641	SPARK PLUG, BPR 5EV	8	USA, Canadian and Japanese cars from chassis no. 13030. Swedish & Swiss EFI cars from 1988, (from 13560).
-	07.20987	SPARK PLUG, BPR 6EY	8	European cars from chassis no 13030. Not on Swedish or Swiss EFI cars from 1988.

# ENGINE

## Electrical

### Coil, Distributor and Starter Motor



AM 1783



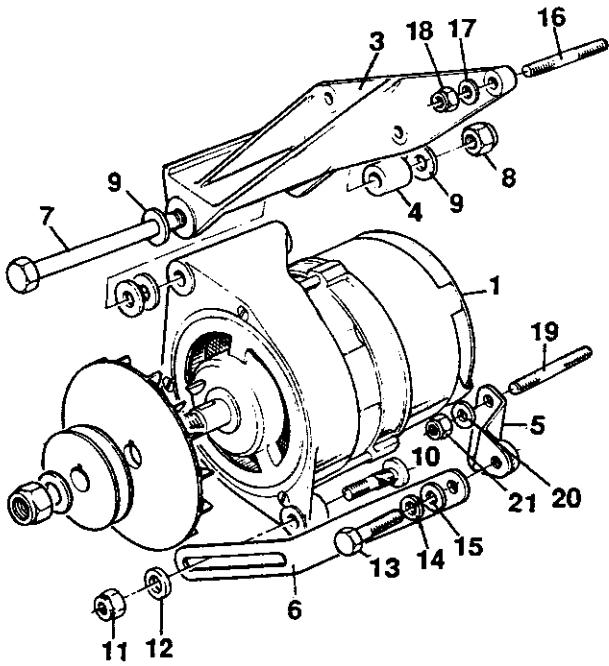
## ENGINE

## Electrical

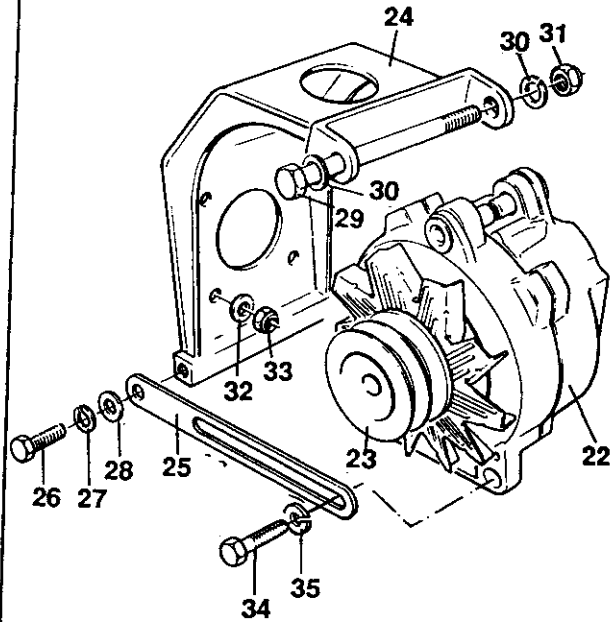
## Coil, Distributor and Starter Motor

Illus No.	Part Number	Description	Qty	Remarks
-	693355	Copa slip	as reqd	
24	080.007.0139	Clip, ignition leads	10	Not EFI cars
25	07.18001	DISTRIBUTOR	1	
-	07.18209	Distributor cap	1	"Constant Energy ignition" Cars from chassis no. 13198
-	07.18210	Rotor arm	1	
-	07.18211	Pick-up and base plate	1	
-	07.18212	Flash shield	1	
-	07.17247	Vacuum unit	1	
-	080.007.0713	'O' Ring seal	1	
-	07.18214	Seal, vacuum unit to body	1	
26	07.20013	DISTRIBUTOR ASSEMBLY, RH	1	
27	07.25569	Distributor cap, RH	1	} EFI cars. } Cylinders 5.2.3.8
-	07.25570	Pick-up assembly	1	
-	07.25572	Timing disc	1	
-	07.25571	Harness terminal block	1	
28	07.20014	DISTRIBUTOR ASSEMBLY, LH	1	
29	07.25568	Distributor cap, LH	1	
30	07.25573	Screw, distributor cap to body	6	
-	07.25574	Washer, distributor cap to body	6	
-	07.25575	Cork seal for screw	6	} Used on both distributors
-	07.25576	Rotor arm	2	
-	07.25577	'O' Ring, distributor oil seal	2	} Distributors to } front covers
31	692146	Bolt, M6 x 20	6	
32	692046	Washer, spring, M6	6	
33	07.22607	Bracket, crankshaft sensor lead support	1	See 'Crankshaft' Section 1.2
-	-	Crankshaft sensor	-	
34	37.21685	Ignition lead set	1	as reqd Ignition lead protection
-	693212	'Spirap', 1/2 in. O.D.	as reqd	
35	096.009.0109	STARTER MOTOR	1	
36	09.19211	Spacer, 2 mm	1	
37	500712	Bolt, 7/16 in. UNC x 1.1/2 in. long	1	
38	119483	Washer, spring, 7/16 in.	1	
39	081.009.0111	Bolt, stepped, 7/16 in. UNC x 1.1/2 in. long	1	
40	626869	Washer, spring, 9/16 in.	1	
41	691577	Locknut, 5/16 in. UNC	1	
42	691578	Locknut, No. 8 UNC	1	

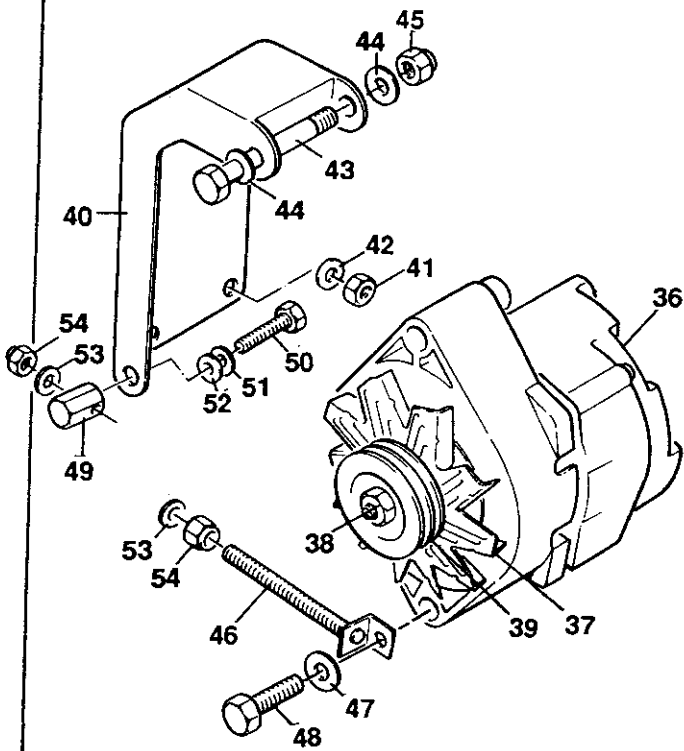
**ENGINE**  
**Electrical**  
**Alternator**



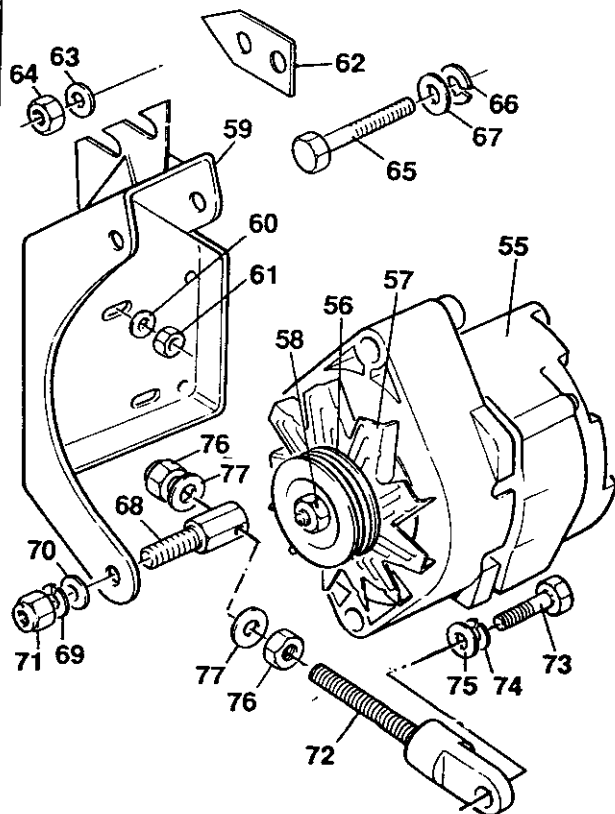
75 amp alternator



100 amp alternator



108 amp alternator



E.F.I. alternator

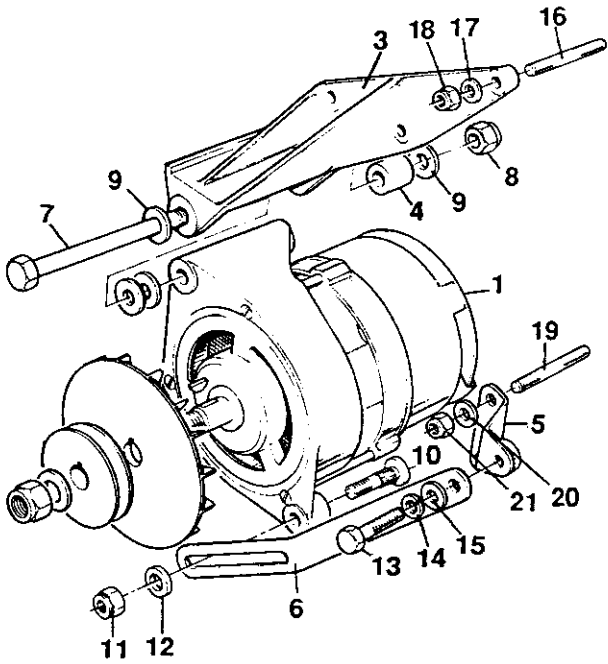
AM 1784L



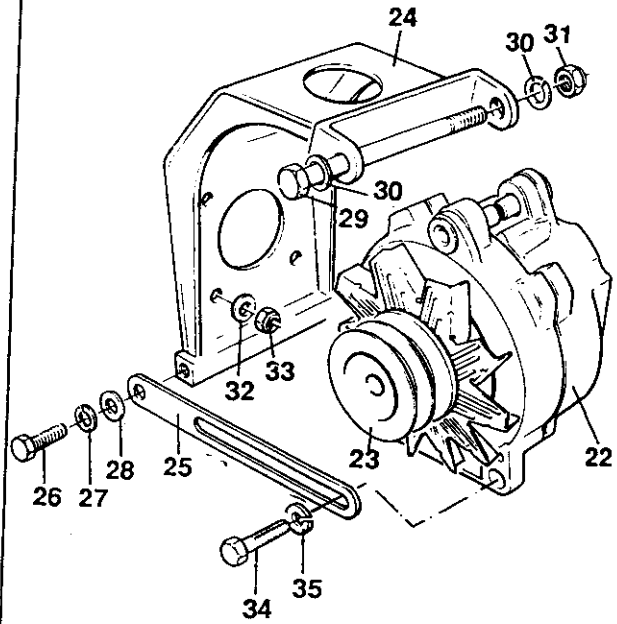
## ENGINE Electrical Alternator

Illus. No.	Part No.	Description	Qty.	Remarks	
1	080.009.0117	ALTERNATOR, 75 AMP	1		
-	09.16860	ALTERNATOR, 75 AMP	1	Later cars, positive and negative terminals reversed	
2	080.009.0118	Alternator pulley, 2.8 in. dia., 1/2 in. top width belt	1	Early cars	
-	095.009.0103	Alternator pulley, 2.8 in. dia., 3/8 in. top width belt	1	Later cars up to Chassis No. 13020	
-	09.14652	Alternator pulley, 2.5 in. dia., 3/8 in. top width belt	1	From Chassis No. 13021	
-	96.16003	Alternator pulley, 2.1 in. dia., 3/8 in. top width belt	1	Service mod. and early Hong Kong cars	
3	080.009.0119	Mounting bracket	1		
4	691658	Spring bush	1		
5	080.009.0009	Bracket	1		
-	080.009.0122	Regulator	1	75 amp alternator only	
6	080.009.0120	Adjusting link	1		
7	520744	Bolt, 7/16 in. UNF x 5.5 in. long	1		
8	690415	Nut, Nyloc, 7/16 in. UNF	12		
9	119473	Washer, plain, 7/16 in.	as reqd.		
10	09.14742	Adjusting stud	1		
-	691920	Loctite 'Studloc'	as reqd.		
11	123113	Nut, Nyloc, 3/8 in. UNF	1		
12	119472	Washer, plain 3/8 in.	1		
13	530506	Setscrew, 5/16 in. UNF x 3/4 in. long	1		
14	119481	Washer, spring, 5/16 in.	1		
15	119471	Washer, plain, 5/16 in.	1		
16	691291	Stud, 1/4 in. UNC/UNF x 2 in. long	3		
17	119470	Washer, plain 1/4 in.	3		
18	123116	Nut, Nyloc, 1/4 in. UNF	3		
19	691438	Stud, 5/16 in. UNF/UNC x 2.88 in. long	2		
20	119471	Washer, plain, 5/16 in.	2		
21	123115	Nut, Nyloc, 5/16 in. UNF	2		
22	09.17023	ALTERNATOR AND PULLEY ASSEMBLY, 100 AMP	1		
23	09.18184	Alternator pulley / fan assembly	1		
-	09.17363	Main terminal insulator	2		
24	09.17024	Mounting bracket	1		
25	24.17048	Adjusting link	1		
26	692089	Screw, M8 x 16	1		
27	692047	Washer, spring, M8	1		
28	692057	Washer, plain, M8	1		
29	520644	Bolt, 3/8 in. UNF x 5 1/2 in. long	1		
30	119472	Washer, plain, 3/8 in.	1	} Alternator pivot	
31	123113	Nut, Nyloc, 3/8 in. UNF	1		
32	119470	Washer, plain, 1/4 in.	4		
33	123116	Nut, Nyloc, 1/4 in. UNF	4		
34	520616	Bolt, 3/8 in. UNF x 2 in. long	1		
35	690919	Washer, plain, 3/8 in. ID x 1 in. OD	1		
-	119472	Washer, plain, 3/8 in.	1		
-	123113	Nut, Nyloc, 3/8 in. UNF	1		
					} Bracket to cylinder block
				Some early export cars and all cars after Chassis No. 13180 up to 13425	

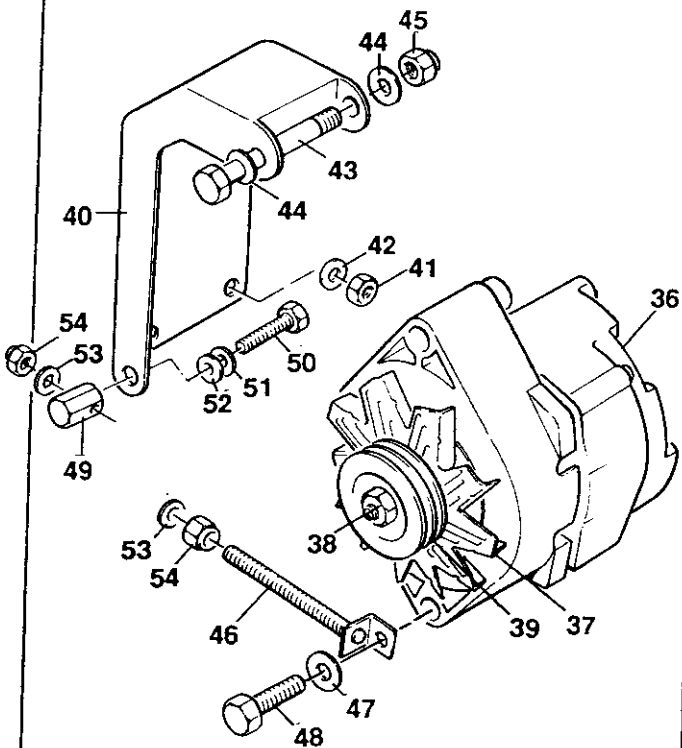
ENGINE  
Electrical  
Alternator



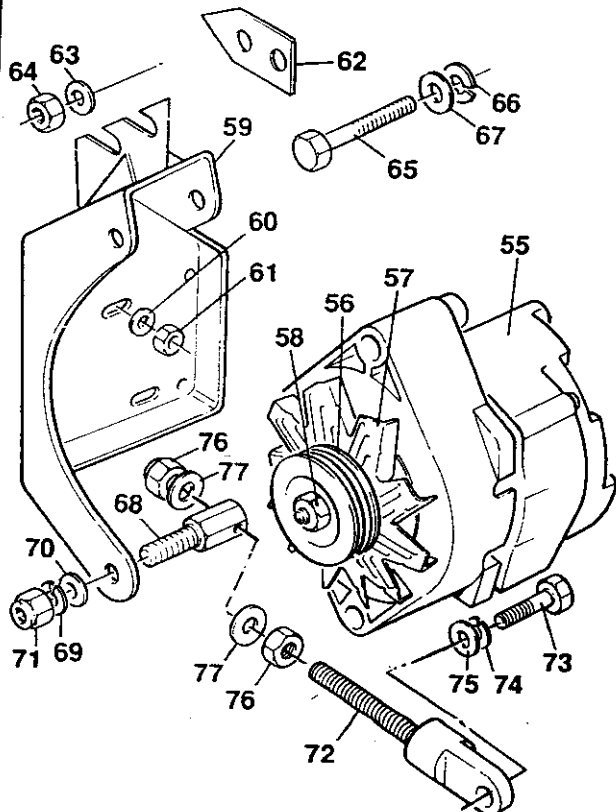
75 amp alternator



100 amp alternator



108 amp alternator



E.F.I. alternator

AM 1784L





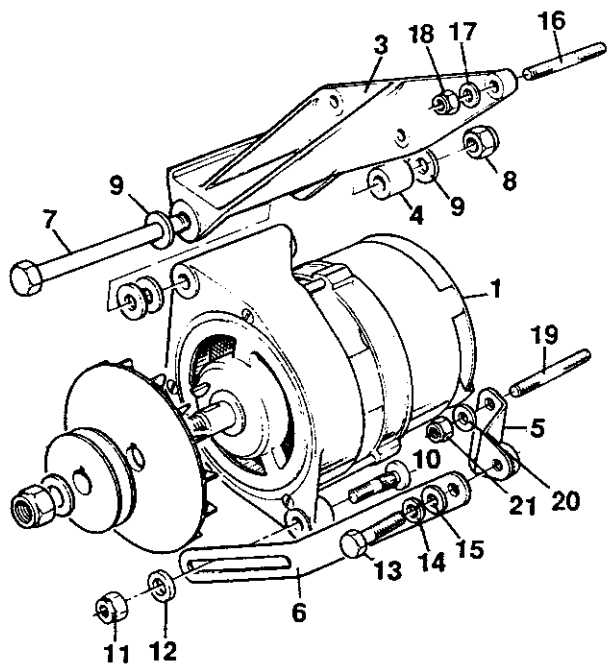
# ENGINE

## Electrical

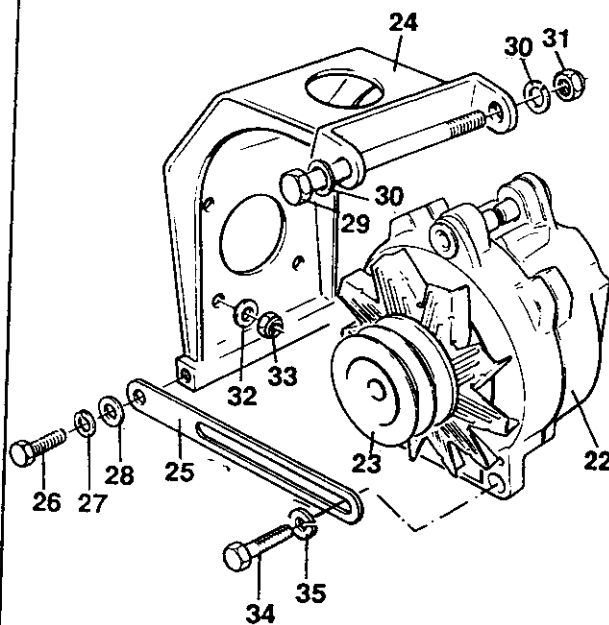
### Alternator

Illus. No.	Part No.	Description	Qty.	Remarks
36	09.20623	ALTERNATOR, PULLEY AND FAN ASSEMBLY, 108 AMP	1	From Chassis No. 13426 4-groove pulley fitted, change on fitting. 2-spade harness terminals
37		Alternator fan	1	
38		Nut	1	Pulley and fan to alternator
39		Pulley, 2 grooves, 2.3 in. dia	1	
	692076	Nut, plain, M6	1	} Feed cable to alternator } Earth cable to alternator } Screw and nut securing ]
	692056	Washer, plain, M6	1	
	692066	Washer, shakeproof, M6	1	
	692138	Screw, M10 x 20	1	
	692058	Washer, plain, M10	1	
	692068	Washer, shakeproof, M10	1	
	692184	Loctite, blue	as reqd.	
40	09.20752	Mounting bracket	1	
41	123116	Nut, Nyloc, 1/4 in. UNF	4	} Alternator bracket to cylinder block
42	119470	Washer, plain, 1/4 in.	4	
43	693111	Bolt, M10 x 80	1	} Alternator pivot
44	692058	Washer, plain, M10	2	
45	692034	Nut, Nyloc, M10	1	
46	09.20580	Adjusting bar	1	
47	692048	Washer, spring, M10	1	} Adjusting bar to alternator
48	692185	Screw, M10 x 25	1	
49	09.20583	Adjusting block	1	
50	693112	Screw, M10 x 15	1	} Adjusting block to bracket
51	692048	Washer, spring, M10	1	
52	692058	Washer, plain, M10	1	
53	692048	Washer, spring, M10	2	} Adjusting bar locking
54	692034	Nut, Nyoc, M10	2	
-	693128	Resistor	1	Wired in by relay box - See Section 7.
55	09.20623	ALTERNATOR, FAN AND PULLEY ASSEMBLY	1	EFI Cars up to Mid. 1986 2-spade harness terminal
-	09.22308	ALTERNATOR, FAN AND PULLEY ASSEMBLY	1	EFI Cars with vacuum - fluorescent instrumentation from from mid 1986.
-	09.25299	ALTERNATOR, FAN AND PULLEY ASSEMBLY	1	4 pin harness block EFI Cars with vacuum - fluorescent instrumentation from March 1987 4-pin harness block
56	09.21777	Alternator pulley, 4 groove	1	
57		Alternator fan	1	
58		Alternator pulley nut	1	} Alternator to mounting bracket } Adjusting link to alternator and bracket } Early EFI cars. If bracket replacement is necessary fit later parts as illustrated
-	09.21153	Alternator mounting bracket	1	
-	692099	Bolt, M10 x 70	1	
-	692048	Washer, spring, M10	1	
-	09.20456	Alternator lower brace	1	
-	09.20459	Alternator adjusting link	1	
-	692138	Bolt, M10 x 20	2	
-	692048	Washer, spring, M10	2	
-	692058	Washer, plain, M10	2	

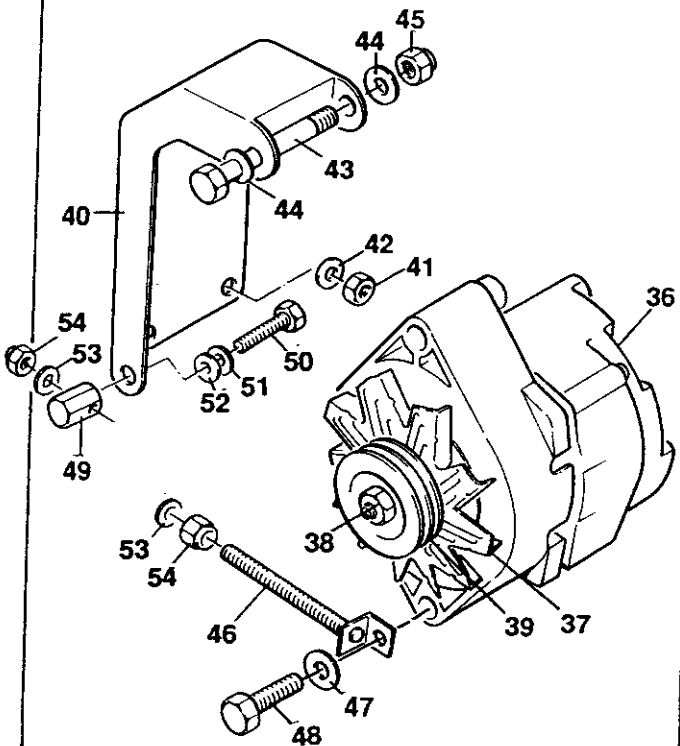
**ENGINE  
Electrical  
Alternator**



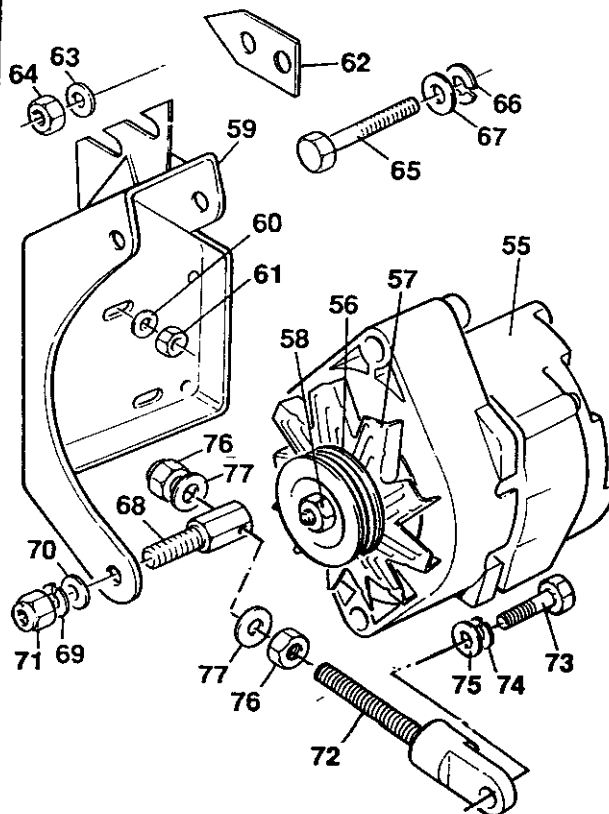
75 amp alternator



100 amp alternator



108 amp alternator



E.F.I. alternator

AM 1784L



## ENGINE

### Electrical Alternator

Illus. No.	Part No.	Description	Qty.	Remarks
59	09.23709	Alternator mounting bracket	1	} Mounting bracket to cylinder block
60	119470	Washer, plain, 1/4 in.	4	
61	123116	Nut, Nyloc, 1/4 in. UNF	4	
62	09.23587	Timing pointer	1	
63	119471	Washer, plain, 5/16 in.	2	} Timing pointer and alternator bracket to cylinder block
64	123115	Nut, Nyloc, 5/16 in. UNF	2	
65	693776	Bolt, M10 x 80	1	} Alternator pivot
66	692048	Washer, spring, M10	1	
67	692058	Washer, plain, M10	1	
68	09.23642	Adjuster block	1	} Adjuster block to mounting bracket
69	692048	Washer, spring, M10	1	
70	692058	Washer, plain, M10	1	
71	692034	Nut, Nyloc, M10	1	
-	692078	Nut, plain, M10	1	} Alternatives
72	09.23643	Adjuster rod	1	
73	692708	Bolt, M10 x 35	1	} Adjuster rod to alternator
74	692048	Washer, spring, M10	1	
75	692058	Washer, plain, M10	1	
76	692078	Nut, plain, M10	2	} Alternator adjusting
77	692058	Washer, plain, M10	2	



**FUEL, EMISSION CONTROL, EXHAUST**

**Contents**

<b>FUEL, EMISSION CONTROL, EXHAUST</b>	<b>2</b>
<b>Carburettors and Manifolds</b>	<b>2.1</b>
<b>Air Box and Filters</b>	<b>2.2</b>
<b>Air Injection System</b>	<b>2.3</b>
<b>Vacuum System</b>	<b>2.4</b>
<b>Electronic Fuel Injection</b>	<b>2.5</b>
<b>Fuel System</b>	<b>2.6</b>
<b>Exhaust System</b>	<b>2.7</b>



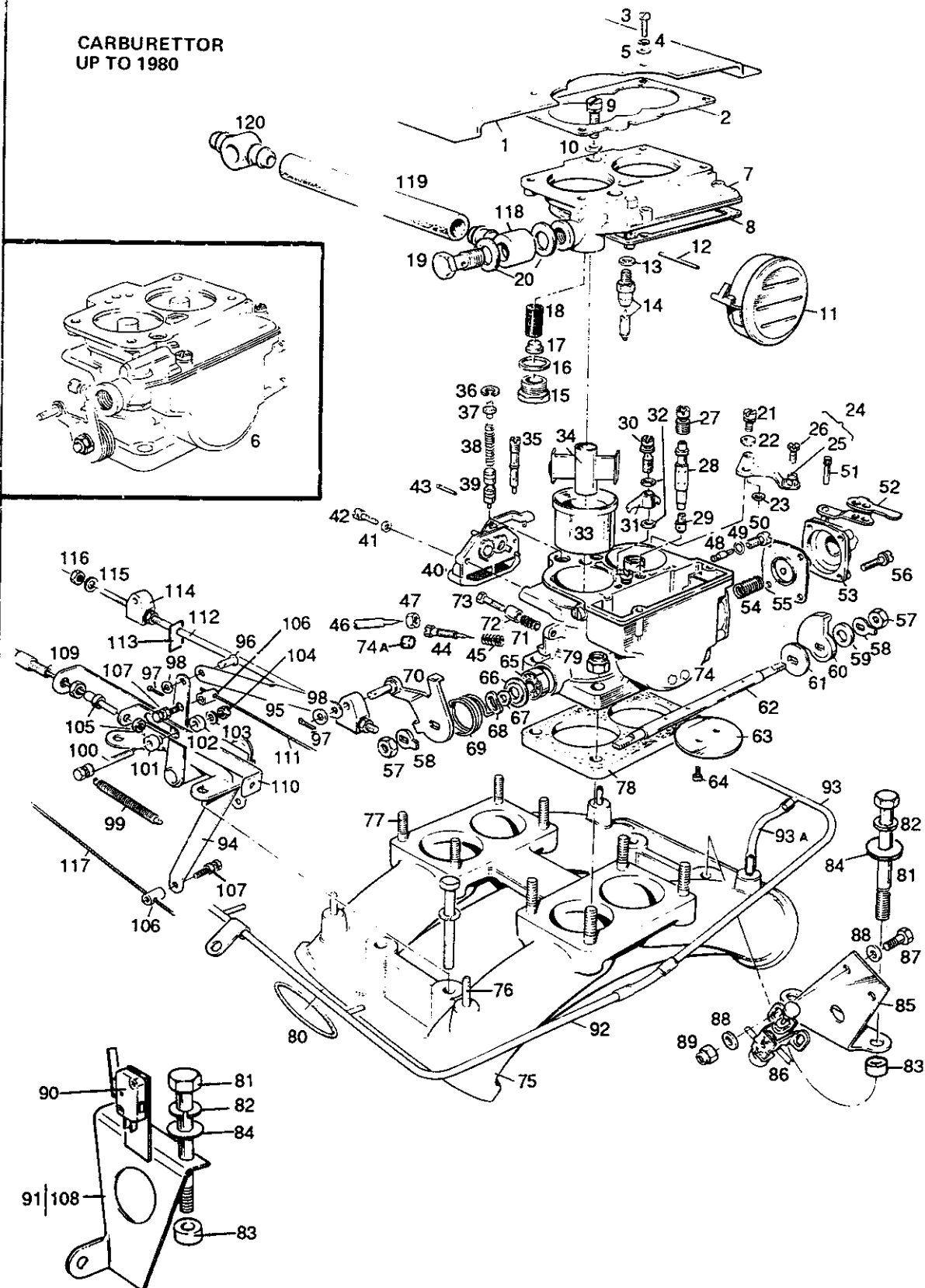
**SECTION 2**  
**FUEL, EMISSION CONTROL, EXHAUST**

# FUEL, EMISSION CONTROL, EXHAUST

## Carburettors and Manifolds



CARBURETTOR  
UP TO 1980



AM 1277





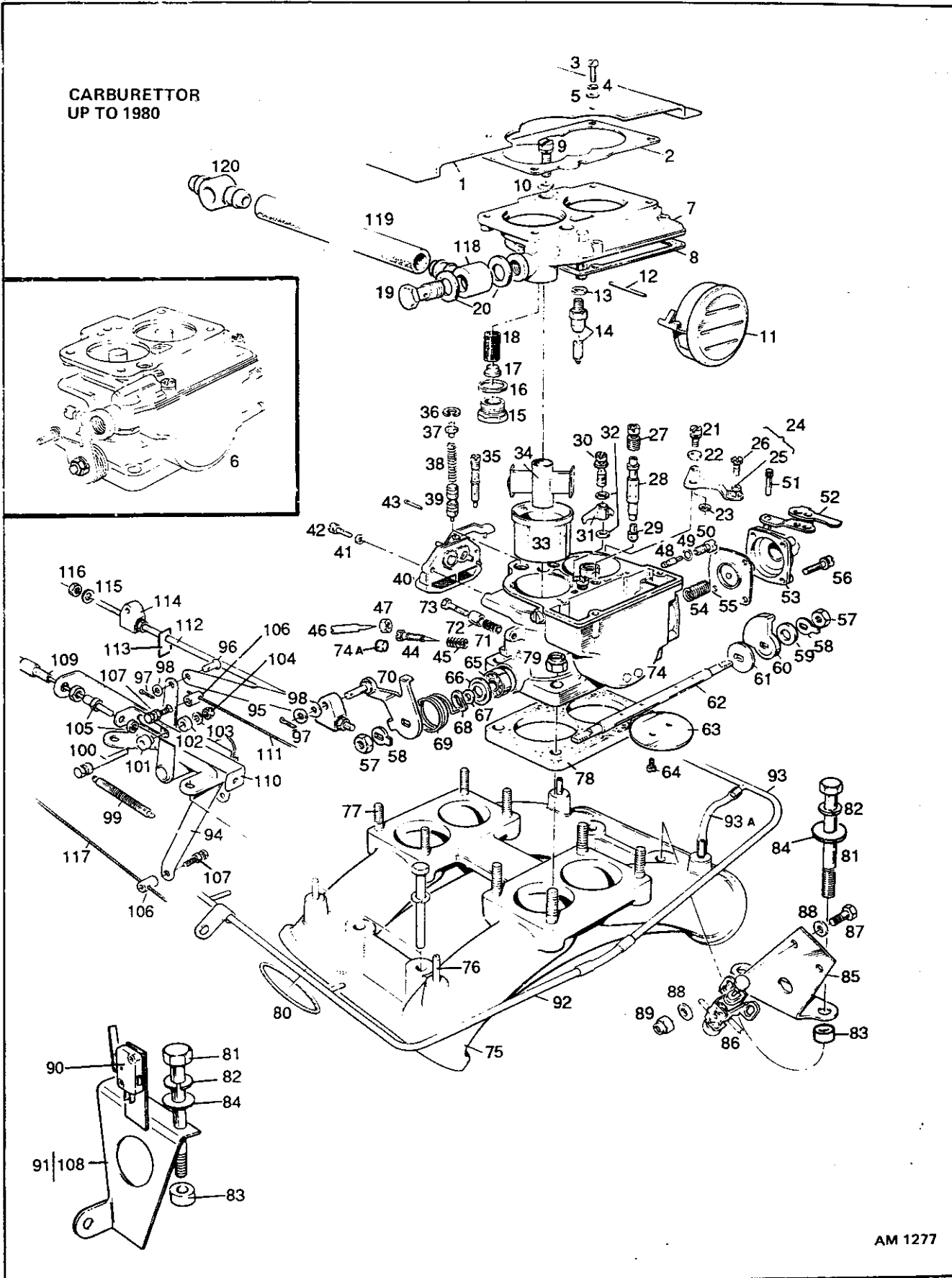
## FUEL, EMISSION CONTROL, EXHAUST

### Carburetors and Manifolds

Illus. No.	Part No.	Description	Qty	Remarks
1	-	Air box base assembly	1	See Section 2.2
2	095.008.0113	Gasket	4	Emission control engines, except Canada
-	08.14535	Gasket	4	
3	08.12237	Screw	16	
4	-	Washer, spring	16	
5	122422	Washer, plain	16	
6	08.12109	<b>CARBURETTOR ASSEMBLY</b>	4	Cars up to Chassis No. 13029
7	-	Carburettor cover	4	Externally choked
8	095.008.0714	Gasket, carburettor cover	4	
-	08.17245	Gasket, carburettor cover	4	} Carburettor cover to body
9	095.008.0700	Screw	16	
10	021.008.0833	Washer, plain	16	
11	095.008.0711	Float	4	
12	095.008.0723	Pivot pin, float	4	
13	095.008.0716	Seal, needle valve	4	
14	095.008.0712	Needle valve, size 200	4	
15	08.16171	Plug, filter inspection	4	
16	095.008.0720	Seal, plug	4	
17	08.16170	Bush, filter inspection	4	
18	095.008.0719	Filter element	4	
19	095.008.0703	Banjo bolt	4	
20	095.008.0705	Washer, fibre	8	
21	08.19167	Screw, mounting	4	} Starter control
22	08.19168	Bush	4	
23	08.19166	Washer	4	
24	08.19170	Lever assembly	4	
25	-	Lever	4	
26	-	Screw, wire securing	4	
27	095.008.0738	Jet, air corrector, size 200	8	
28	097.008.0702	Emulsion tube F39	8	
29	095.008.0737	Jet, main, size 140	8	
30	095.008.0755	Valve, delivery	4	} Accelerator pump
31	095.008.0731	Jet, size 45	4	
32	095.008.0715	Seal, jet	8	
33	095.008.0704	Choke	8	
34	08.12515	Venturi	8	
35	-	Jet, starter	8	
36	08.19195	Ring, retaining	8	
37	08.19196	Spring valve and retainer	8	
38	095.008.0748	Spring, starter valve	8	
39	08.19197	Starter valve	8	
40	-	Cover assembly	4	
41	08.19189	Washer	8	
42	08.16181	Screw, cover to body	8	
43	-	Pin, spring	4	
44	095.008.0732	Screw, mixture control	8	
45	095.008.0733	Spring, mixture control screw	8	
-	095.008.0734	Shroud, mixture control screw	8	
-	095.008.0739	Locating pin, shroud	8	
46	08.19187	Screw, by-pass air control	8	

# FUEL, EMISSION CONTROL, EXHAUST

## Carburetors and Manifolds



## FUEL, EMISSION CONTROL, EXHAUST

## Carburetors and Manifolds



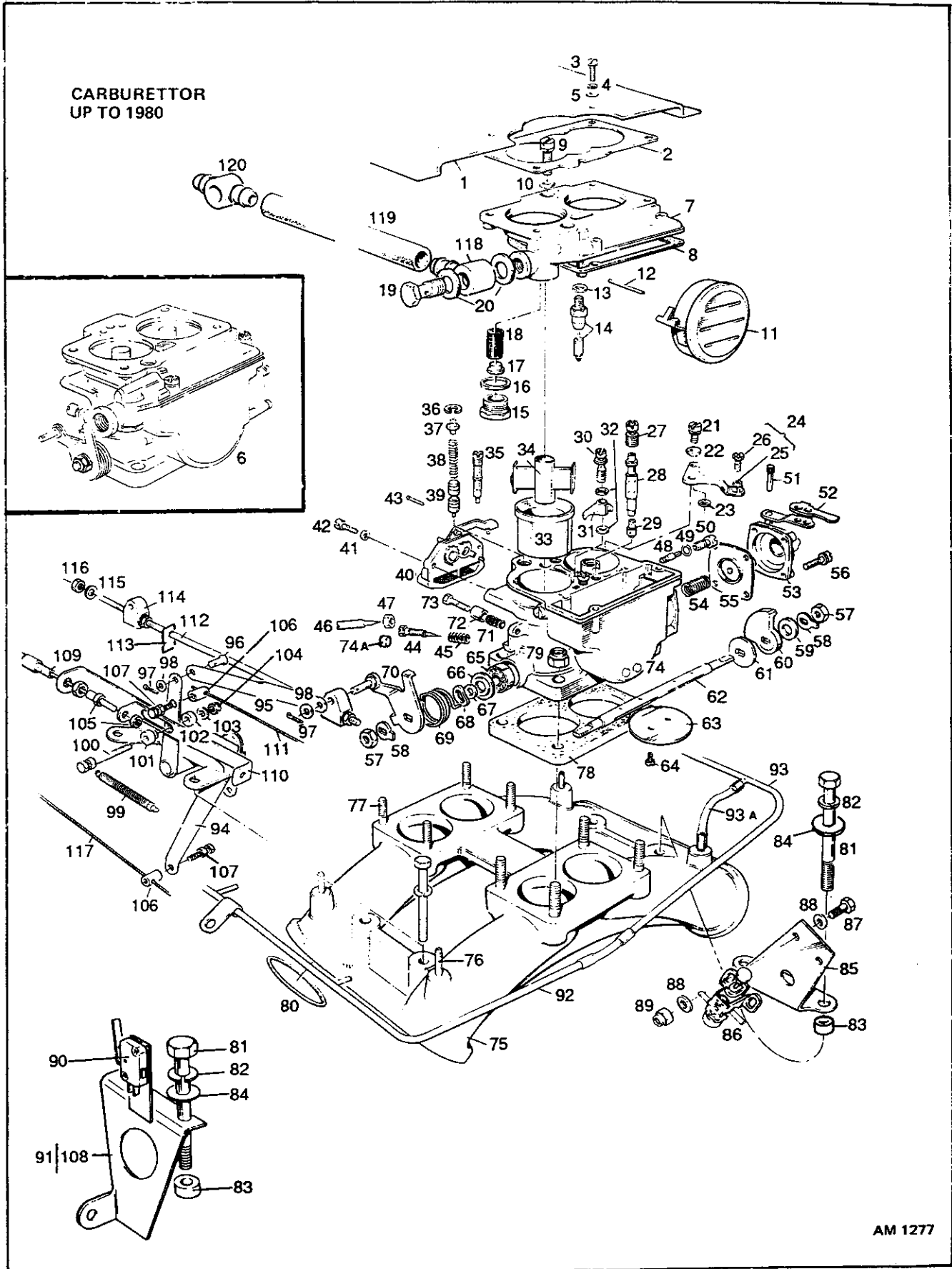
Illus. No.	Part No.	Description	Qty	Remarks
47	08.19198	Nut, by-pass air control	8	
48	095.008.0749	Jet, idle, size 55	8	
49	095.008.0740	Seal, idle jet	8	
50	08.16180	Holder, idle jet	4	
-	-	Cover, accelerator pump	4	
51	-	Pivot	4	
52	-	Lever	4	
53	08.19199	Housing	4	
54	095.008.0718	Spring, return	4	
55	095.008.0717	Diaphragm, accelerator pump	16	Cover to body
56	-	Screw	8	
57	08.16176	Nut	8	
58	021.008.0203	Washer, lock	4	
59	-	Washer, spacing	4	
60	08.19179	Cam	4	
61	-	Washer	4	
62	-	Spindle, throttle plate	8	
63	-	Throttle plate	16	
64	-	Screw, throttle plate	8	
65	08.16179	Bearing, throttle plate spindle	8	
66	08.19182	Washer	8	
67	08.19183	Spacer	8	
68	08.19184	Washer, friction	4	
69	08.19185	Spring, throttle plate return	4	
70	08.18177	Lever, throttle plate	4	
71	095.008.0733	Spring, throttle plate stop control	4	
72	-	Sleeve, spring	4	
73	-	Screw, throttle plate stop control	4	
74	-	Carburettor body	16	
74A	095.008.0736	Plug, tamperproof, blue	16	Production only
-	-	Plug, tamperproof, white	4	
-	095.008.0754	Carburettor gasket kit	2	
75	08.10714	Inlet manifold	8	
76	095.008.0117	Tapping tube	16	
77	691584	Stud, 5/16in. UNF/UNC x 1.38in. long	16	} Emission control cars
-	690459	Stud, 5/16in. UNF/UNC x 1.75in. long	16	
-	119471	Washer, plain, 5/16in.	4	
78	095.008.0112	Gasket	16	
79	690019	Locknut, thin, 5/16in.	8	
80	095.007.0106	'O' Ring	8	
81	520528	Bolt, manifold, 5/16in. UNF x 3.5in. long	2	Replaces 2 off, Part No. 520528 when used with spacers (item 83)
-	520530	Bolt, manifold, 5/16in. UNF x 3.75in. long	2	
82	119481	Washer, spring, 5/16in.	8	
83	055.050.0428	Spacer	2	
84	119471	Washer, plain, 5/16in.	8	
85	08.11957	Bracket	1	} Cars up to Chassis no. 13029.
86	095.089.0061	Vacuum valve	1	
87	691270	Screw, 2BA x 1/2in. long	2	} Fitted to manifold
88	119496	Washer, plain, 2BA	4	
89	690484	Nut, Nyloc, 2BA	2	

# FUEL, EMISSION CONTROL, EXHAUST

## Carburetors and Manifolds



CARBURETTOR  
UP TO 1980



AM 1277



# FUEL, EMISSION CONTROL, EXHAUST

## Carburettors and Manifolds

Illus. No.	Part No.	Description	Qty	Remarks
90	095.038.0107	Micro switch	1	Fitted to air box base, or to manifold bracket Pt.No. 08.16711 on later cars Cars from Chassis No. 13030
-	691160	Screw, 6BA x 3/4in.	2	
-	110907	Washer, 6BA	4	
-	691347	Nut, 6BA	2	
		} Micro switch fixings		
91	08.16711	Bracket, micro switch mounting	1	Fitted to manifold
92	095.008.0146	Vacuum rail, RH	1	} Emission control cars
-	08.17904	Vacuum rail, RH	1	
-	692730	Clip, pipe swivel	1	
93	095.008.0145	Vacuum rail, LH	1	
93A	692546	Tube, Nylon	as reqd	
94	08.11609	Pivot	1	On early cars, the cruise control cable runs over the rear inlet manifold
-	08.14618	Pivot	1	On later cars, the cruise control cable runs below the rear inlet manifold
95	08.11613	Throttle link	1	
96	691469	Hinge pin	1	
97	690352	Split pin	5	
98	119496	Washer, plain, 2BA	5	
99	080.008.0201	Spring, kickdown	1	
100	096.031.0103	Bolt, kickdown	1	
101	096.031.0105	Ferrule, kickdown	1	
102	096.031.0104	Spacer, kickdown	1	
103	122422	Washer, 2BA	1	
104	690484	Half nut, Nyloc, 2BA	1	
105	111109	Nut, 2BA	2	
106	032.034.0031	Trunnion	2	
107	032.034.0032	Screw	2	
-	13.11614	Cruise control cable support	1	Early cars } Fixed to rear inlet manifold Later cars } Later cars }
-	08.14679	Cruise control cable support	1	
108	08.16711	Cruise control cable and micro switch support	1	
109	096.031.0101	Kickdown cable	1	
110	096.031.0109	Kickdown slide	1	
111	29.11149	Throttle cable, RHD, M6 thread	1	Total length 1930mm
-	29.15681	Throttle cable, LHD and later RHD, M6 and M8 threads	1	Total length 2050mm
112	095.008.0139	Throttle rod	1	
113	08.16714	Rod striker	1	
114	095.008.0103	Throttle clamp	4	5 on emission control engines
115	119496	Washer, 2BA	8	
116	112941	Nut, 2BA	8	
-	097.008.0101	Rod end nut	1	
117	13.14723	Cruise control cable	1	Emission control engines, except Canada
-	13.17921	Cruise control cable	1	
118	08.13439	Banjo, end	1	} From Chassis No. 13030
119	692574	Feed tube, Nylon	as reqd	
120	08.13438	Banjo, straight	3	Up to Chassis No. 13029
-	08.11555	Fuel rail assembly	1	

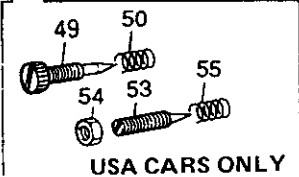
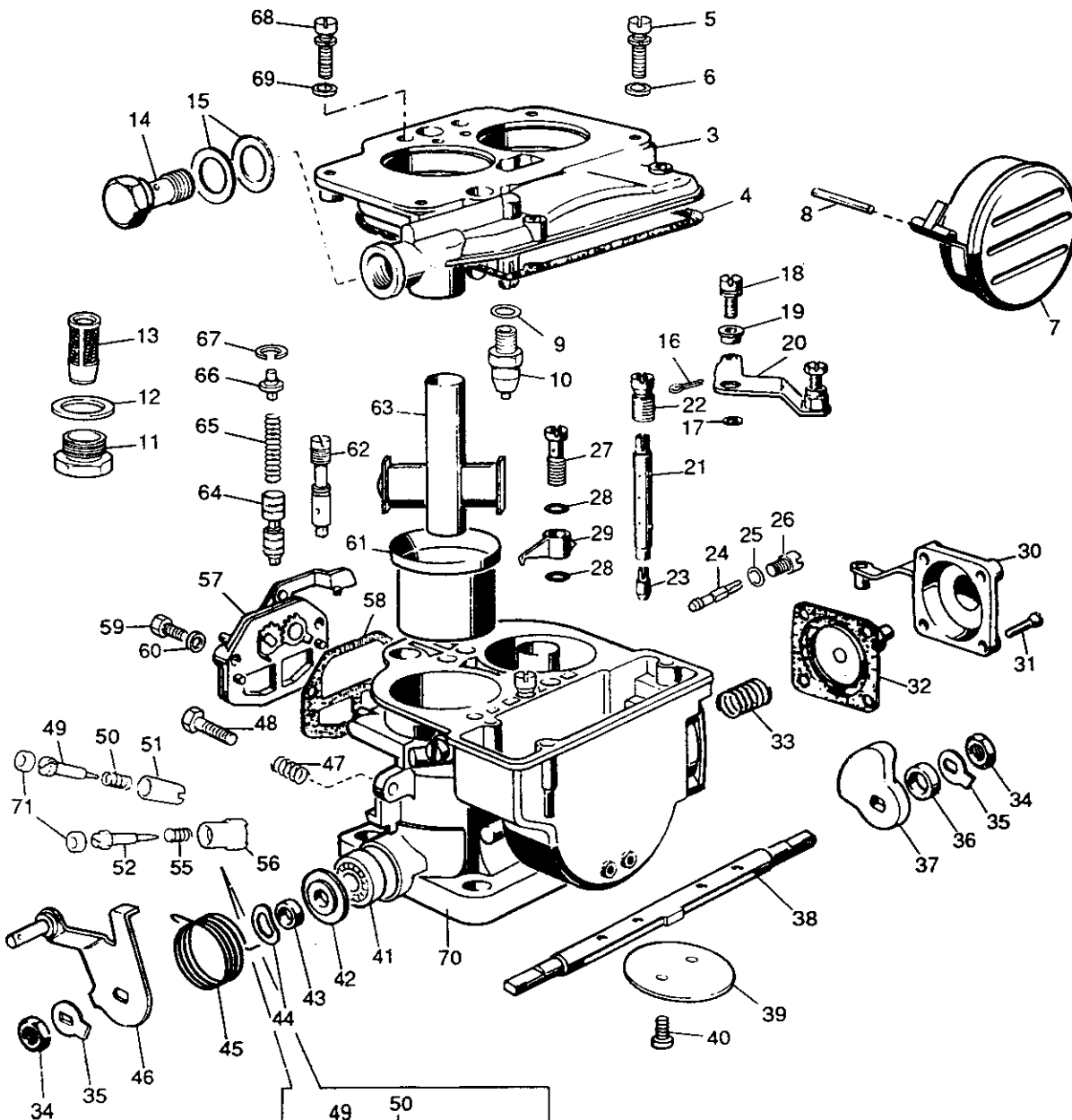
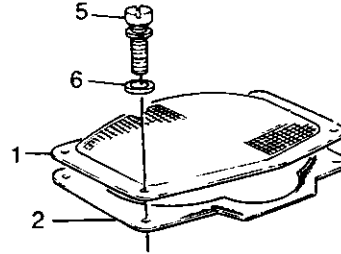
# FUEL, EMISSION CONTROL, EXHAUST

## Carburetors and Manifolds

Cars from 1980 on and USA Cars



FROM 1980 AND USA CARS



USA CARS ONLY

FOR MANIFOLD SEE 2.1A.

AM 1517



# FUEL, EMISSION CONTROL, EXHAUST

## Carburettors and Manifolds

Cars from 1980 on and USA Cars

Illus. No.	Part No.	Description	Qty	Remarks	
1	08.16595	Flame trap	4	} Emission control cars	
2	095.008.0113	Gasket	4		
-	08.19344	CARBURETTOR ASSEMBLY	4	All cars from Chassis No. 13030 on Canadian cars 1984 on Emission control cars	
-	08.19345	CARBURETTOR ASSEMBLY	4		
-	08.17872	CARBURETTOR ASSEMBLY	4		
3	08.19164	Top cover	4		
4	08.17245	Gasket, top cover	4	} Air box base to carburettor. Also used for fixing flame traps on USA cars	
5	095.008.0700	Screw	16		
6	021.008.0833	Washer, plain	16		
7	08.19172	Float	4	Not USA cars Emission control and Canadian Cars	
-	08.19173	Float, plastic	4		
8	095.008.0723	Pivot pin, float	4	} Starter control	
9	095.008.0716	Seal, needle valve	4		
10	095.008.0712	Needle valve, size 200	4		
11	08.16171	Plug, filter inspection	4		
12	095.008.0720	Seal	4		
13	021.008.0775	Filter element	4		
14	095.008.0703	Banjo bolt	4		
15	095.008.0705	Washer, fibre	8		
16	08.19165	Split pin	4		
17	08.19166	Washer, plain	4		
18	08.19167	Screw	4		
19	08.19168	Bush	4		
20	08.19170	Lever assembly	4		
21	097.008.0702	Emulsion tube F39	8		
22	095.008.0738	Jet, air corrector, size 200	8		Not USA cars Emission control and Canadian cars
-	08.19169	Jet, air corrector, size 160	8		
23	095.008.0737	Jet, main, size 140	8		Emission control and Canadian cars
-	08.19175	Jet, main, size 145	8		
24	095.008.0749	Jet, slow running, size 55	8		Emission control cars Canadian cars only
-	08.15934	Jet, slow running, size 60	8		
-	097.008.0153	Jet, slow running, size 57	8		
25	095.008.0740	Seal, slow running jet	8	} Throttle plate mechanism	
26	08.16180	Holder, slow running jet	8		
27	095.008.0755	Delivery valve, accelerator pump	4		
28	08.19174	Seal	8		
29	095.008.0731	Jet, pump, size 45	4		
30	08.19199	Housing	4		
31	08.19176	Screw	16		
32	095.008.0717	Diaphragm, accelerator pump	4		
33	08.19177	Spring, return	4		
34	08.16176	Nut	8		
35	021.008.0203	Washer, lock	8		
36	08.19178	Washer, spacer	4		
37	08.19179	Cam	4		
38	08.19180	Spindle	4		
39	08.19181	Throttle plate	8		

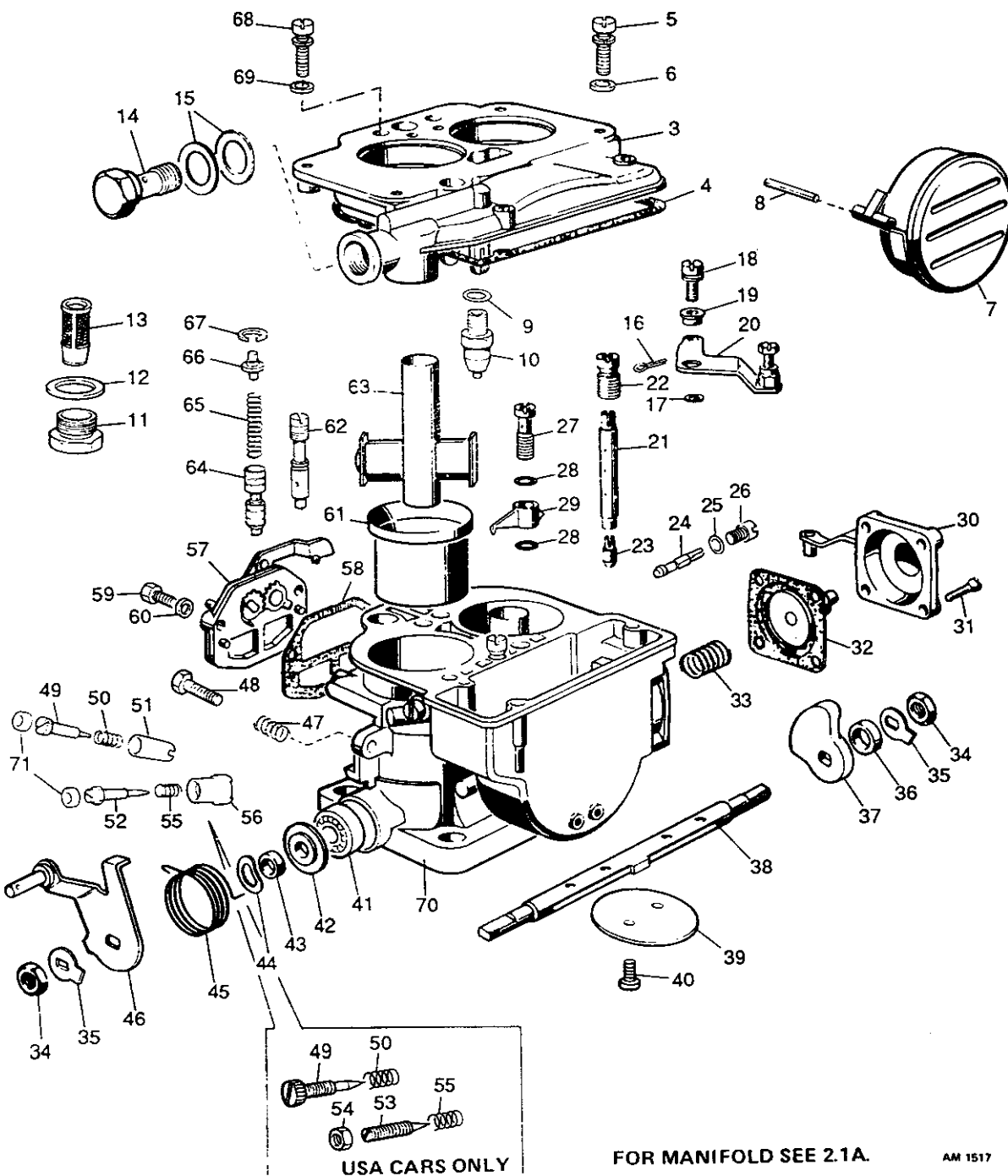
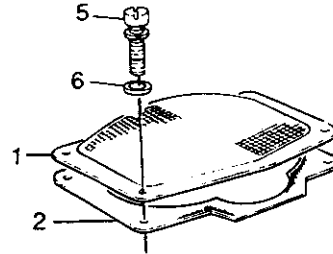
# FUEL, EMISSION CONTROL, EXHAUST

## Carburetors and Manifolds

Cars from 1980 on and USA Cars



FROM 1980 AND USA CARS







# FUEL, EMISSION CONTROL, EXHAUST

## Carburetors and Manifolds

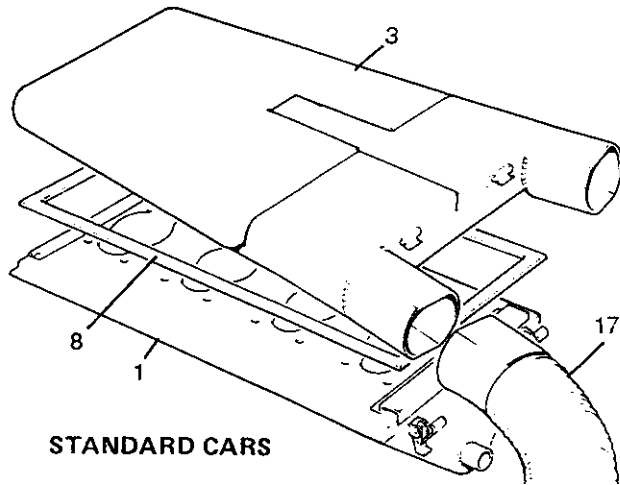
Cars from 1980 on and USA Cars

Illus. No.	Part No.	Description	Qty	Remarks
40	08.16188	Screw	16	} Throttle plate mechanism
41	08.16179	Bearing	8	
42	08.19182	Washer	8	
43	08.19183	Spacer	8	
44	08.19184	Washer, friction	8	
45	08.19185	Spring, throttle return	4	
46	08.18177	Lever, throttle plate	4	
47	095.008.0733	Spring, throttle adjusting	4	
48	08.19188	Screw, throttle adjusting	4	
49	095.008.0732	Screw, mixture	8	
50	095.008.0733	Spring	8	} Not USA or Canadian cars
51	095.008.0734	Housing	8	
52	08.19186	Screw, by-pass air control	8	} USA and Canadian cars only
53	08.19187	Screw, by-pass air control	8	
54	08.19198	Nut, by-pass air control	8	} USA and Canadian cars only
55	095.008.0743	Spring	8	
56	08.19171	Housing	8	} Not USA and Canadian cars
57	08.19190	Cover assembly	4	
58	08.19191	Joint, cover assembly	4	} Not USA or Canadian cars
59	08.16181	Screw	8	
60	08.19189	Washer	8	} USA and Canadian cars
61	095.008.0704	Choke	8	
62	08.19192	Jet, starter, size 80	8	} Not USA or Canadian cars
-	08.19193	Jet, starter, size 60	8	
63	08.19194	Venturi	8	} USA and Canadian cars
64	08.19197	Starter valve	8	
65	095.008.0748	Spring, starter valve	8	} Not USA or Canadian cars
66	08.19196	Retainer, starter valve spring	8	
67	08.19195	Ring, retaining	8	} USA and Canadian cars
68	095.008.0700	Screw	20	
69	021.008.0833	Washer, plain	20	} Not USA or Canadian cars
70	-	Carburettor body	4	
71	095.008.0736	Plug, tamperproof, blue	16	} Production only
-	-	Plug, tamperproof, white	16	
-	095.008.0754	Carburettor gasket kit	4	

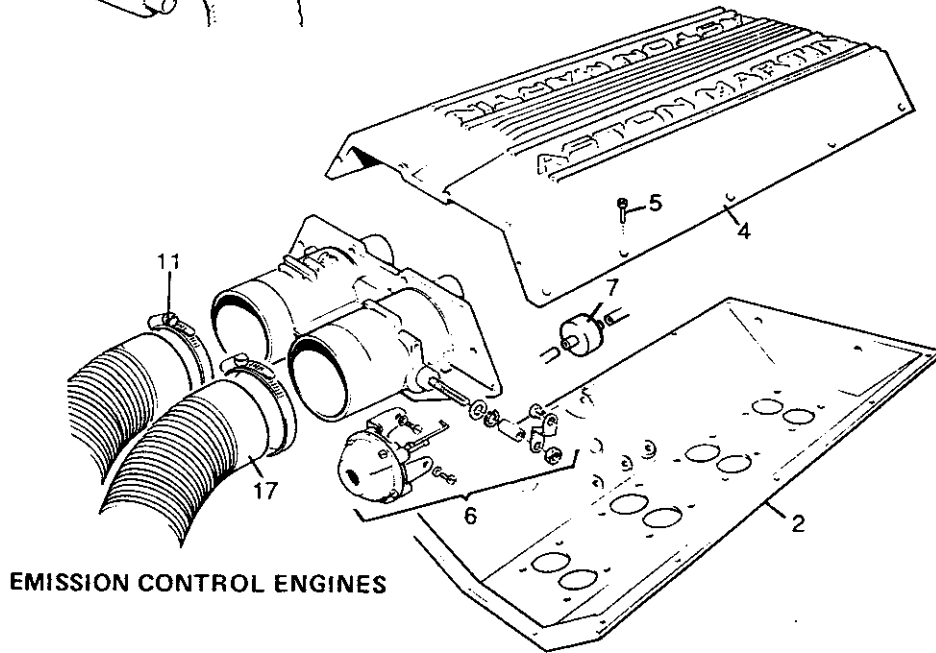
# FUEL, EMISSION CONTROL, EXHAUST

Air box and Filters

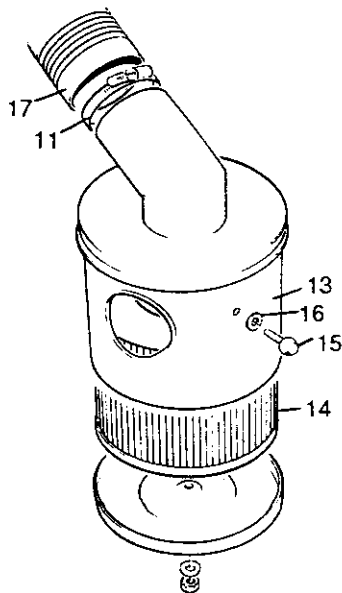
Carburettor Cars



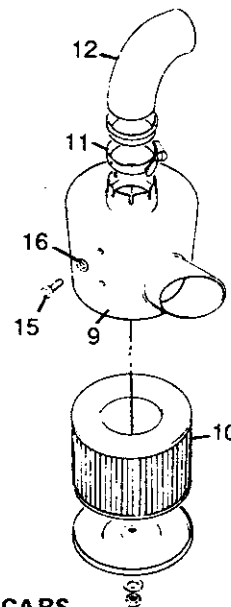
STANDARD CARS



EMISSION CONTROL ENGINES



LATER CARS



EARLY CARS

AM 1824 M



## FUEL, EMISSION CONTROL, EXHAUST

## Air box and Filters

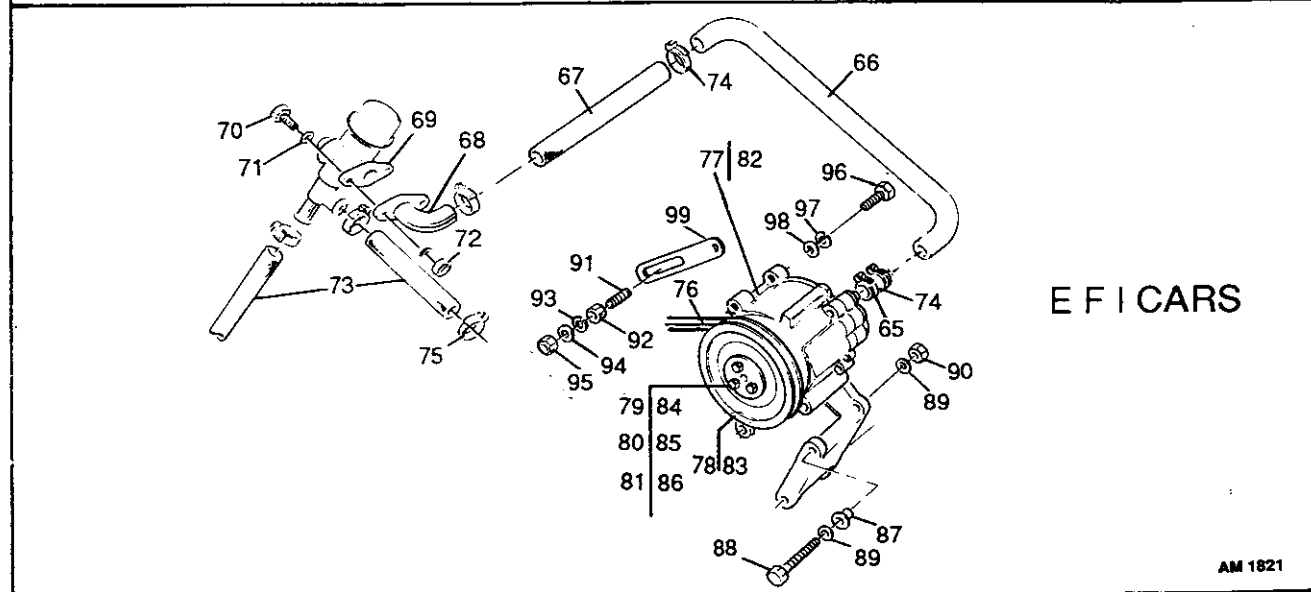
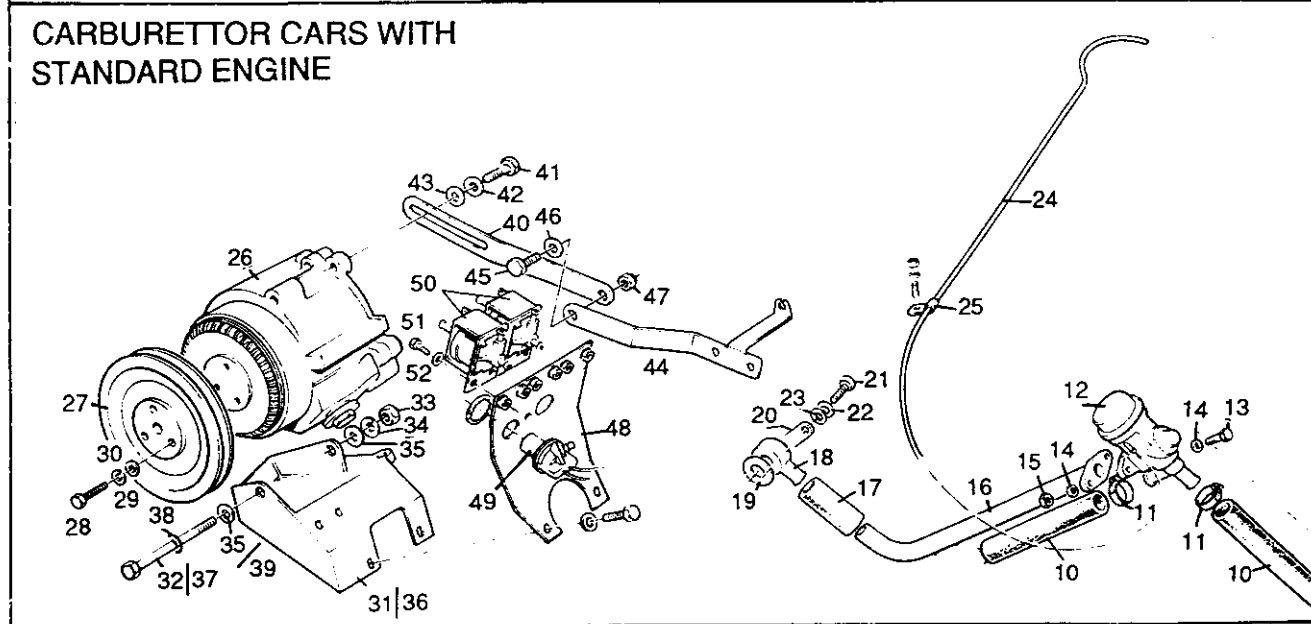
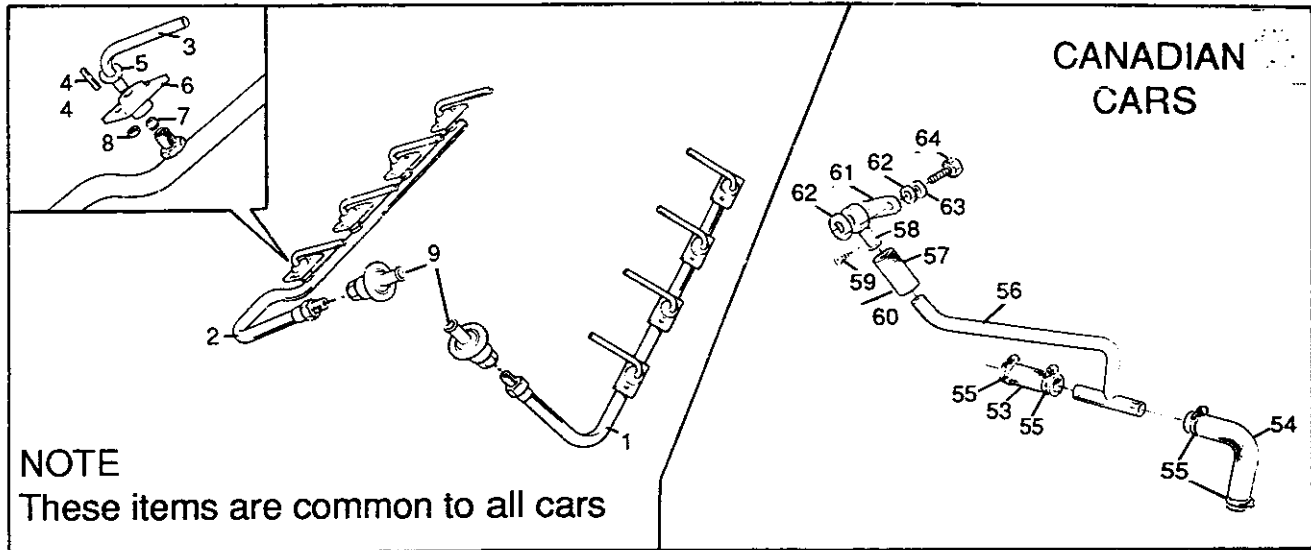
## Carburettor Cars

Illus. No.	Part No.	Description	Qty	Remarks
-	08.10722	Air box, base assembly	1	Early cars
1	08.15067	Air box, base assembly	1	Later cars
-	08.18625	Air box, base assembly	1	} Saudi Arabian cars from Chassis No. 13327 (1984)
-	08.18536	Filter, base purge tube	1	
2	08.14466	Air box, base assembly	1	Emission control engines
-	08.13365	Air box, top assembly	1	Early cars
3	08.15068	Air box, top assembly	1	Later cars
-	08.19415	Air box, top assembly	1	Saudi Arabian cars from Chassis No. 13327 (1984)
4	08.14464	Air box, top assembly	1	} Emission control engines
5	692487	Capscrew, M5 x 20	10	
-	692593	Capscrew, M5 x 14	8	
-	692488	Capscrew, M5 x 50	2	
-	08.16568	Air box plug, tamperproofing	2	
6	08.17900	Air box, front assembly	1	
7	07.15226	Delay valve, flap closing, yellow/black	1	
8	691780	Sealing strip	5 ft	
-	692373	Rubber seal	5 ft	
-	692612	Adhesive	as reqd	
9	08.14372	Air filter assembly, RH	1	} Up to chassis Nos. 13194/6
-	08.14371	Air filter assembly, LH	1	
10	96.14665	Air filter element	2	
11	111914	Hose clip	4	} Up to Chassis No.13029 From Chassis No. 13030 to 13194/6
-	08.11860	Tube, air cleaner, straight	2	
12	08.16030	Tube, air cleaner, curved	2	} From Chassis nos. 13195/7, (except later Swiss cars)
13	08.18036	Air filter assembly	2	
14	08.18037	Air filter element	2	
-	08.19246	Air filter assembly ( with trumpet )	2	
14	08.18037	Air filter element	2	} Swiss cars from Chassis no. 13320
15	692088	Screw, hex. hd., M6 x 16	4	
16	692046	Washer, spring, M6	4	} Up to Chassis No.13029 From Chassis No. 13030
-	095.008.0123	Trunking, grey	2	
17	692744	Trunking, black	5 ft	

# FUEL, EMISSION CONTROL, EXHAUST

## Air Injection System

Cars with Single Air Pump





# FUEL, EMISSION CONTROL, EXHAUST

## Air Injection System

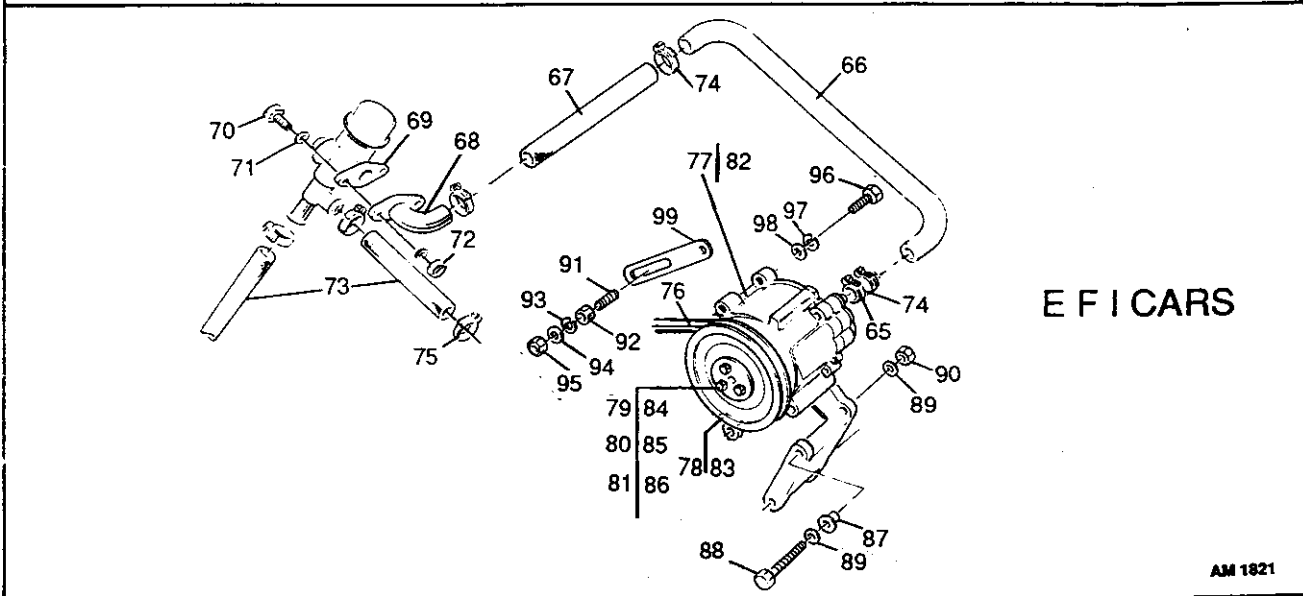
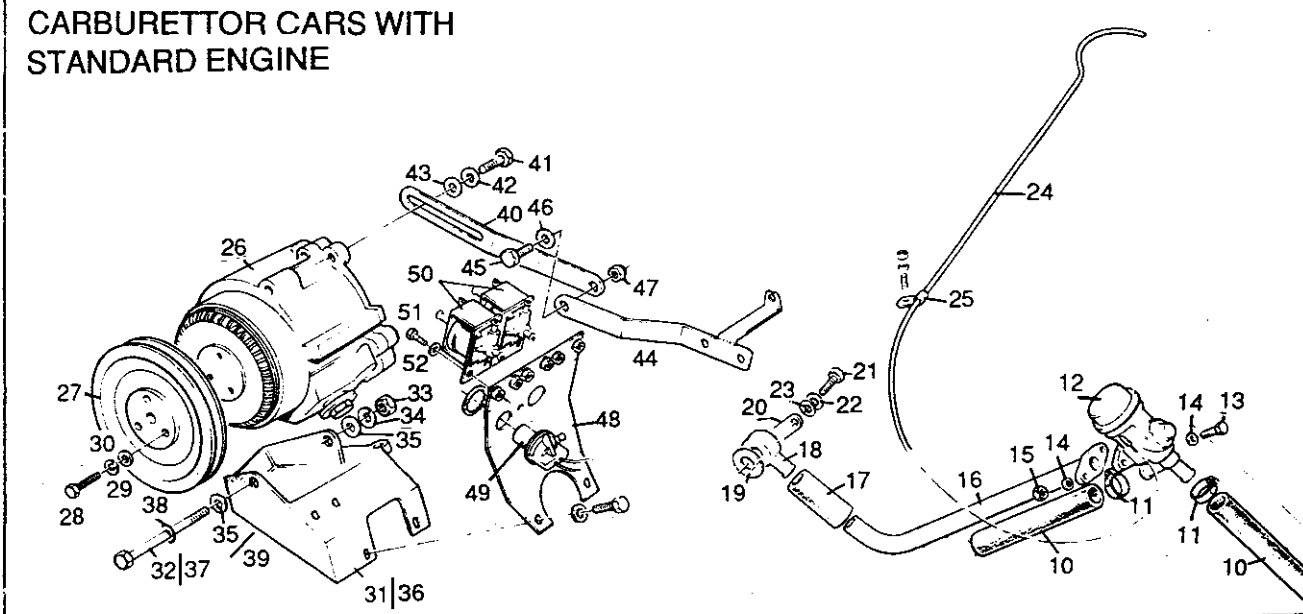
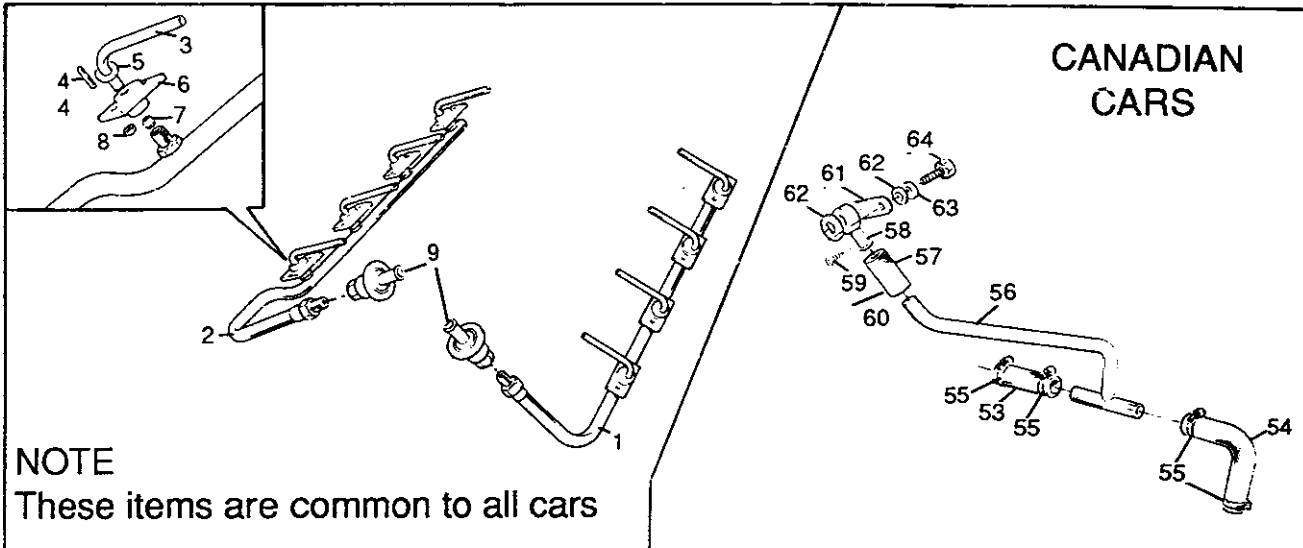
### Cars with Single Air Pump

Illus. No.	Part No.	Description	Qty	Remarks
		<b>Items 1 to 9 are common to all versions</b>		
1	07.19587	Manifold assembly, LH	1	
2	07.21237	Manifold assembly, RH	1	
3	090.007.0112	Tube, air injection	8	
4	691355	Stud, 1/4in. UNF/UNC x 1.38in. long	8	
4A	123185	Stud, 1/4in. UNF/UNC x 1.35in. long	8	
5	690625	Washer, copper	8	
6	090.007.0113	Flange	8	
7	691628	Tubing sleeve	8	
8	691629	Nut, brass, 1/4in. UNF	16	
9	090.007.0119	Check valve	2	
		<b>CARBURETTOR CARS- STANDARD ENGINE</b>		
		<b>Manifolds, Pipes and Hoses</b>		
10	691919	Hose, 5/8in. ID x 5 3/4in. long	2	
11	691024	Clip, worm drive	3	
12	095.007.0107	Diverter valve	1	
13	520408	Bolt, 1/4in. UNF x 1in. long	2	} Fixings, diverter valve
14	119470	Washer, plain, 1/4in.	4	
15	690046	Nut, Nyloc, 1/4in. UNF	2	} To diverter valve
16	07.11060	Pipe	1	
17	691919	Hose, 5/8in. ID x 2 1/2in. long	1	
18	07.11057	Pipe, air supply	1	
-	691462	Loctite 'Plastic Gasket'	as reqd	} Pipe, air supply to air pump
19	119502	Washer. Alternative to 'Loctite'	1	
20	07.11056	Retaining plate	1	
21	692250	Bolt, hex. hd., M8 x 40	2	
22	692047	Washer, spring, M8	2	
23	692057	Washer, plain, M8	2	
24	692546	Tubing	as reqd	
25	020.033.0245	'P' clip	as reqd	
		<b>Air Pumps and Fixings</b>		
26	07.17397	Air pump	1	
27	07.15075	Pulley, air pump, 4.6in. dia.	1	
28	692146	Bolt, M6 x 20	3	} Pulley fixings
29	692046	Washer, spring, M6	3	
30	692056	Washer, plain, M6	3	
31	07.10803	Bracket	1	} Cars up to Chassis No. 13326
32	500640	Bolt, 3/8in. UNC x 5in. long	1	
33	544006	Nut, 3/8in. UNC	1	
34	119482	Washer, spring, 3/8in.	1	
35	119472	Washer, plain, 3/8in.	2	
36	07.10803	Bracket, ( with metric-tapped boss)	1	} Cars from Chassis No. 13327
37	692813	Bolt, M10 x 120	1	
38	692048	Washer, spring, M10	1	
39	692058	Washer, plain, M10	1	
40	07.10807	Adjusting link	1	

# FUEL, EMISSION CONTROL, EXHAUST

## Air Injection System

### Cars with Single Air Pump



AM 1821



# FUEL, EMISSION CONTROL, EXHAUST

## Air Injection System

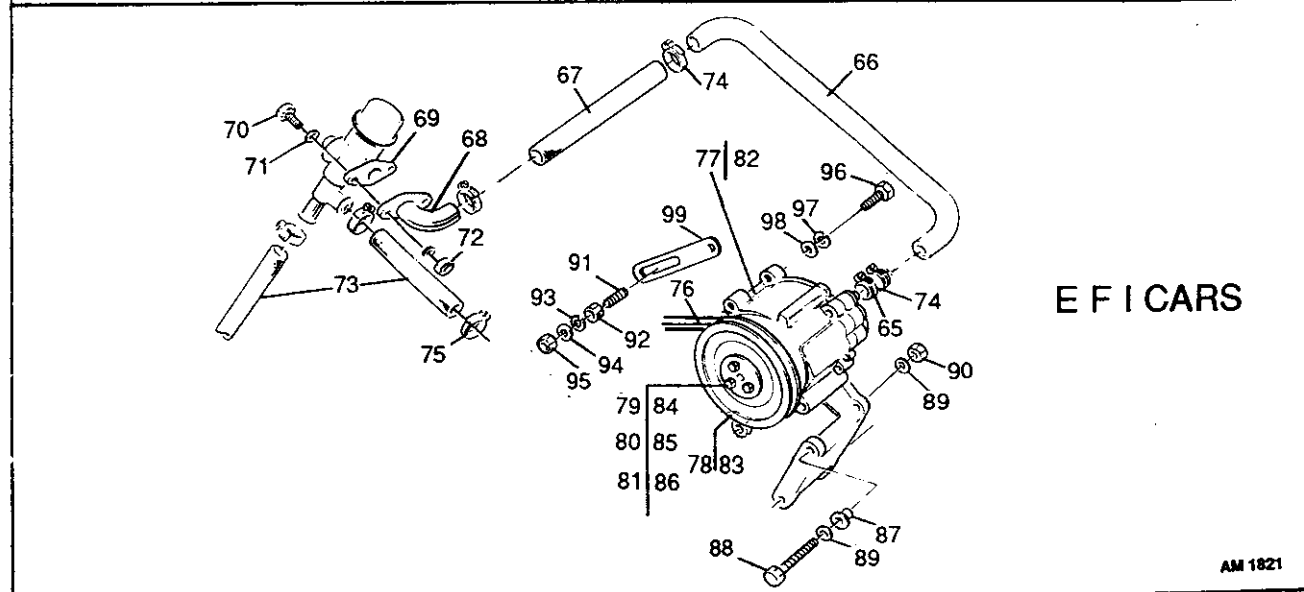
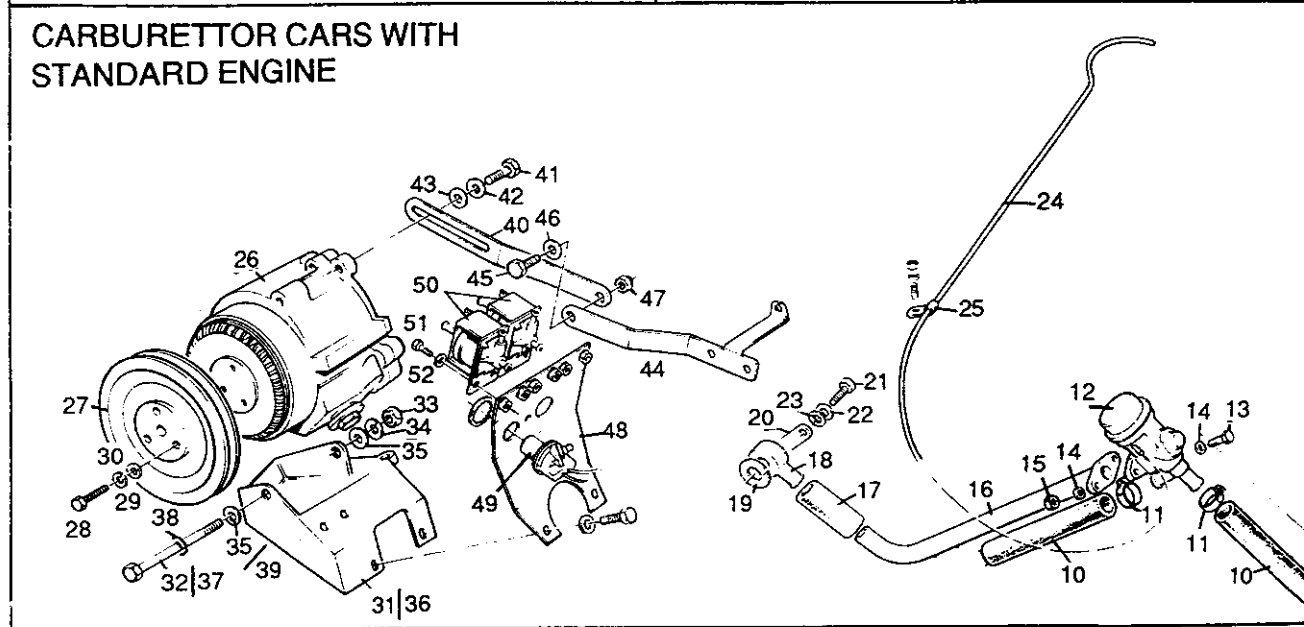
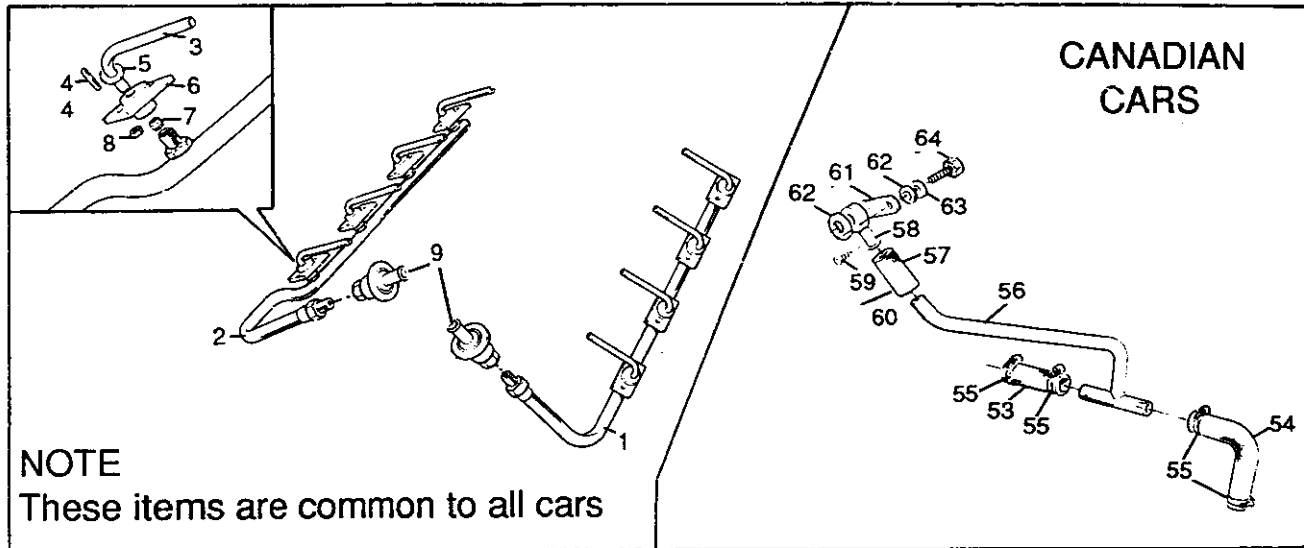
### Cars with Single Air Pump

Illus. No.	Part No.	Description	Qty	Remarks
41	692202	Bolt, M10 x 30	1	
42	692048	Washer, spring, M10	1	
43	692058	Washer, plain, M10	1	
44	07.11652	Mounting bracket, adjusting link	1	
45	520609	Bolt, 3/8in. UNF x 1 1/8in. long	1	} Adjusting link to bracket
46	119472	Washer, plain, 3/8in.	2	
47	123113	Nut, Nyloc, 3/8in. UNF	1	
48	07.15329	Mounting bracket, distributor vacuum switches	1	
49	07.15210	Distributor valve switch	1	Blue
50	07.20955	Distributor vacuum valve	2	Silver
-	07.16042	Valve lettering, A.B.C.D	as reqd	
51	692353	Screw, M4 x 8	4	
52	692054	Washer, plain, M4	4	
<b>CANADIAN CARBURETTOR CARS</b>				
<b>Manifolds, Pipes and Hoses</b>				
53	121823	Hose, 3/4in. ID x 6in. long	1	
54	07.17920	Hose	1	
55	692723	Clip	4	
56	07.17917	Pipe, air feed	1	
57	691919	Hose, 5/8in. ID x 2 1/2 in. long	1	
58	07.11057	Pipe, air supply	1	
59	691782	Screw, self tapping, No. 6 x 3/8in. long	1	
60	692459	Loctite, 'Superflex', silicone rubber	as reqd	
61	07.11056	Retaining plate	1	} Pipe, air supply to air pump
62	692057	Washer, plain, M8	2	
63	692047	Washer, spring, M8	2	
64	692250	Bolt, hex. hd., M8 x 40	2	
<b>Air Pumps and Fixings</b>				
These parts are identical with those used for the Standard Carburettor Cars - Items 26 - 52				
<b>ALL EFI CARS</b>				
<b>Manifolds, Pipes and Hoses</b>				
65	121823	Hose, 3/4in. ID x 3in. long	1	
66	07.21160	Air pipe	1	
67	121823	Hose, 3/4in. ID x 8in. long	1	
68	07.21167	Pipe assembly	1	To diverter valve
69	095.007.0107	Diverter valve	1	
70	520408	Bolt, 1/4in. UNF x 1in. long	2	} Fixings - diverter valve to pipe assembly
71	119470	Washer, plain, 1/4in.	4	
72	690046	Nut, Nyloc, 1/4in. UNF	2	
73	691919	Hose, 5/8in. ID x 5 3/4in. long	2	
74	692723	Hose clip	4	Crimp on type
75	691024	Hose clip	4	
76	-	Drive belt	1	See Section 1.4B

# FUEL, EMISSION CONTROL, EXHAUST

## Air Injection System

### Cars with Single Air Pump







# FUEL, EMISSION CONTROL, EXHAUST

## Air Injection System

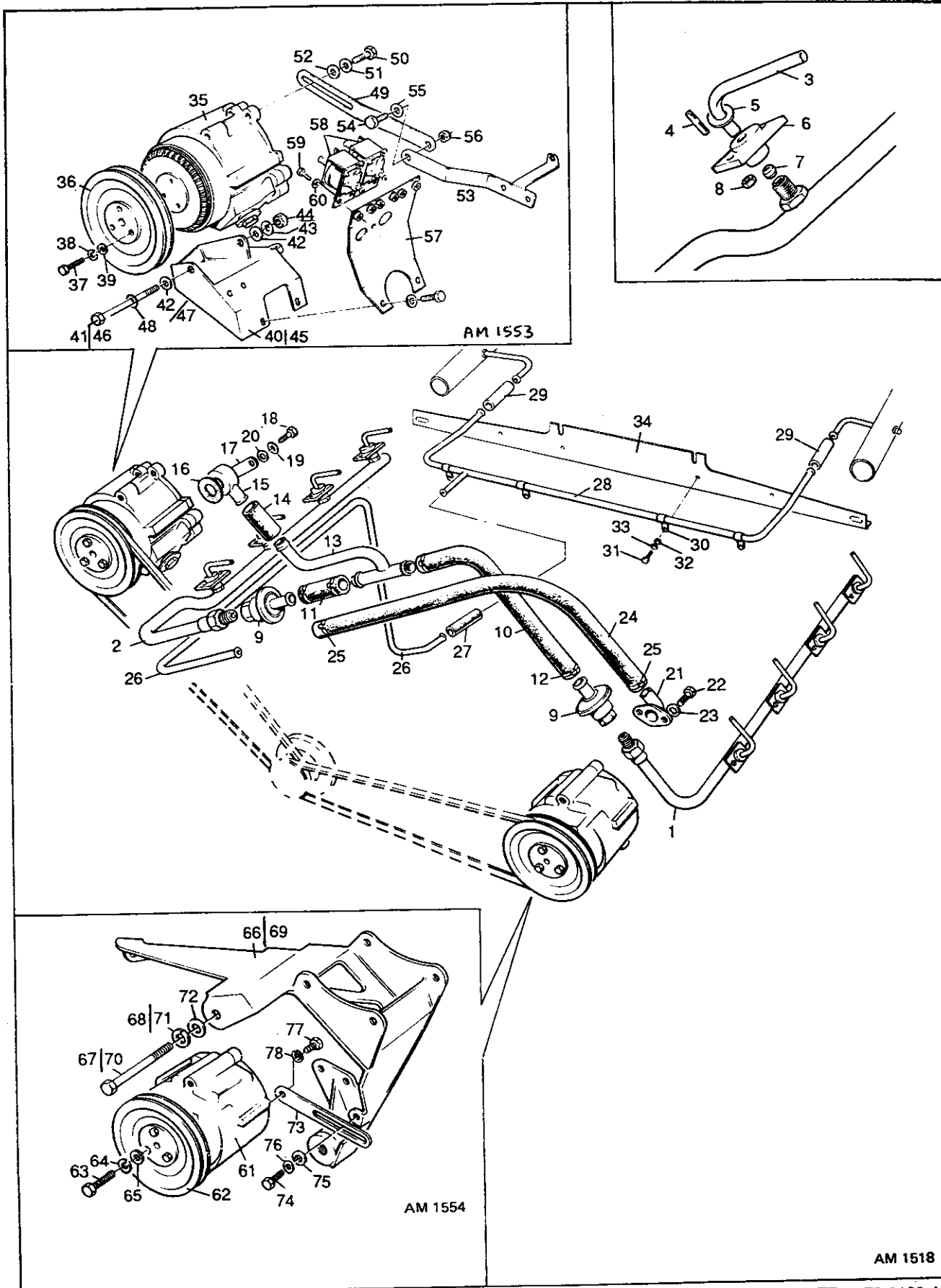
### Cars with Single Air Pump

Illus. No.	Part No.	Description	Qty	Remarks
<b>Air Pumps and Fixings</b>				
77	07.17397	Air pump	1	} Cars up to mid 1987
78	07.15075	Pulley, air pump, 4.6in. dia.	1	
79	692146	Bolt, M6 x 20	3	
80	692046	Washer, spring, M6	3	
81	692056	Washer, plain, M6	3	
82	07.22769	Air pump	1	} Cars from mid 1987
83	07.22741	Pulley, air pump, 4.6 in. dia.	1	
84	692087	Bolt, M8 x 20	3	
85	692047	Washer, spring, M8	3	
86	692057	Washer, plain, M8	3	
87	07.21077	Bush, air pump bolt	1	} Adjuster link to front cover
88	693217	Bolt, M10 x 160	1	
89	692058	Washer, plain, M10	2	
90	692034	Nut, Nyloc, M10	1	
91	07.21233	Stud, M8 x 35	1	
92	07.21151	Spacer, 3mm thick	1	
93	692047	Washer, spring, M8	1	
94	692057	Washer, plain, M8	1	
95	692135	Nut, Nyloc, M8	1	
96	692185	Bolt, M10 x 25	1	
97	692048	Washer, spring, M10	1	} Adjuster link to air pump
98	692058	Washer, plain, M10	1	
99	07.21078	Adjuster link	1	

# FUEL, EMISSION CONTROL, EXHAUST

## Air Injection System

### Emission Control Cars





# FUEL, EMISSION CONTROL, EXHAUST

## Air Injection System

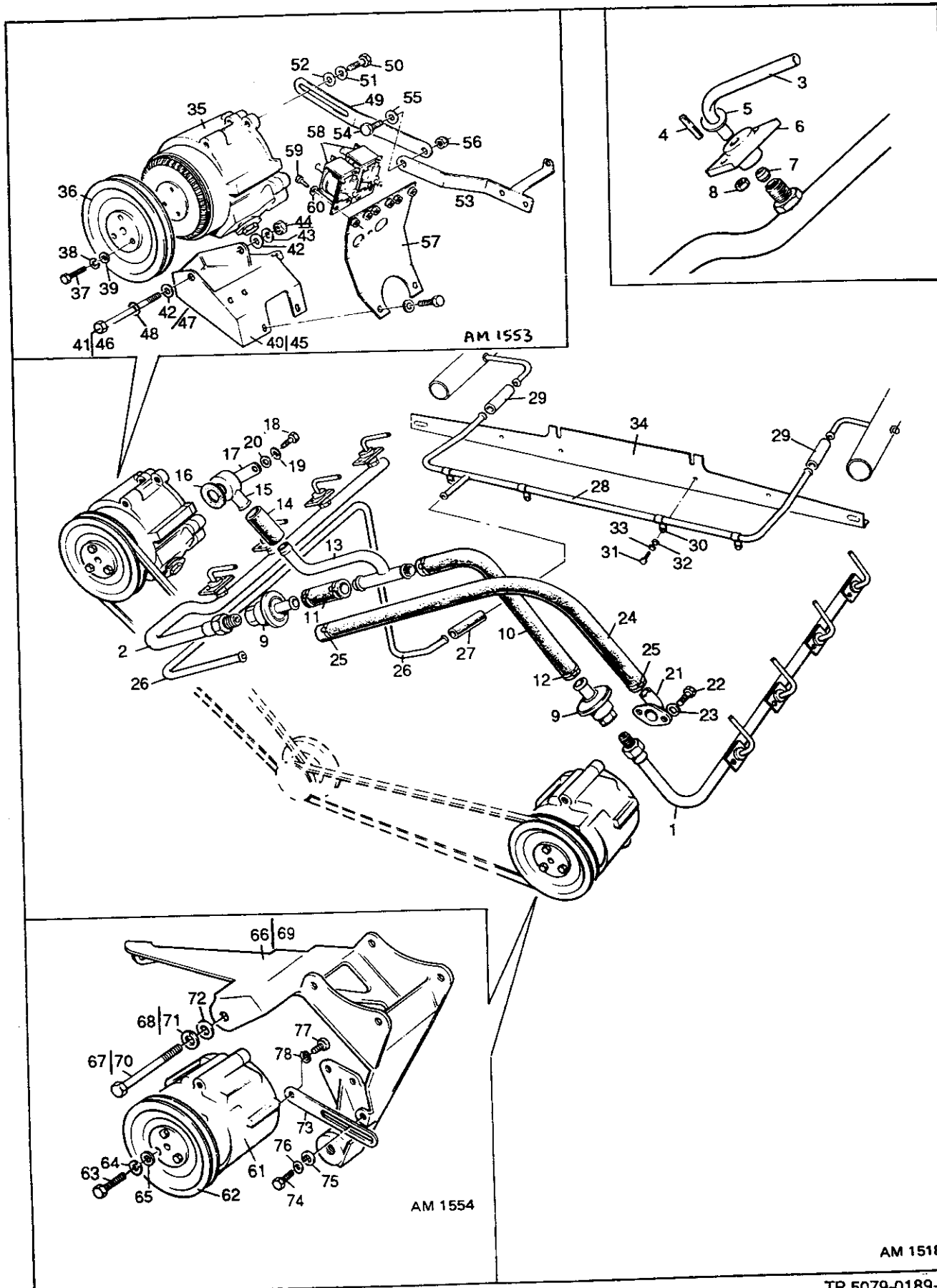
### Emission Control Cars

Illus. No.	Part No.	Description	Qty	Remarks	
<b>CARBURETTOR CARS</b>					
<b>Manifolds, Pipes and Hoses</b>					
1	07.19587	Manifold assembly, LH	1	} Air injection assembly	
2	07.21237	Manifold assembly, RH	1		
3	090.007.0112	Tube, air injection	8		
4	691355	Stud, long, 1/4in. UNF/UNC x 1.38in. long	8		
-	123185	Stud, short, 1/4in. UNF/UNC x 1.35in. long	8		
5	690625	Washer, copper	8		
6	090.007.0113	Flange	8		
7	691628	Tubing sleeve	8		
8	691629	Nut, brass, 1/4in. UNF	16		
9	090.007.0119	Check valve	2		
10	07.17920	Hose	1		} Crimp-on type
11	121823	Hose, 3/4in. ID x 4in. long	1		
12	692723	Hose clip	4		
13	07.17917	Air pipe	1		
14	691919	Hose, 5/8in. ID x 3in. long	1		
15	07.11057	Pipe, air supply, manifold injection	1		
-	691462	Loctite, plastic gasket	as reqd		
16	119502	Washer. Alternative to 'Loctite'	1		
17	07.11056	Retaining plate	1		
18	692250	Bolt, M8 x 40	2		
19	692047	Washer, spring, M8	2		
20	692057	Washer, plain, M8	2		
21	07.17888	Pipe, air supply, catalyst injection	1		
-	07.17893	Gasket	1		
22	692089	Screw, M8 x 16	2	} Pipe to air pump	
23	692047	Washer, spring, M8	2		
24	691919	Hose, 5/8in. ID x 2 ft long	1	} Secondary pump to catalyst air injection	
25	692722	Hose clip	2		
26	07.17892	Air pipe	1		
-	020.037.0188	'P' clip	3		
-	020.037.0189	'P' clip	3		
-	692090	Screw, M5 x 12	3		
-	692055	Washer, plain, M5	6		
-	692045	Washer, spring, M5	3		
-	692075	Nut, M5	3		
27	35.17946	Hose	1		Air feed pipe to cross tube
28	35.17942	Cross tube	1	} Cross tube to pipe nozzle	
29	35.17945	Hose	2		
-	692674	Hose clip	6	} Cross tube to support bar	
30	692208	'P' clip	4		
31	692005	Screw, M5 x 16	4		
32	692055	Washer, plain, M5	4		
33	692045	Washer, spring, M5	4		
34	-	Support bar	4		
					See Exhaust System Section

# FUEL, EMISSION CONTROL, EXHAUST

## Air Injection System

### Emission Control Cars





# FUEL, EMISSION CONTROL, EXHAUST

## Air Injection System

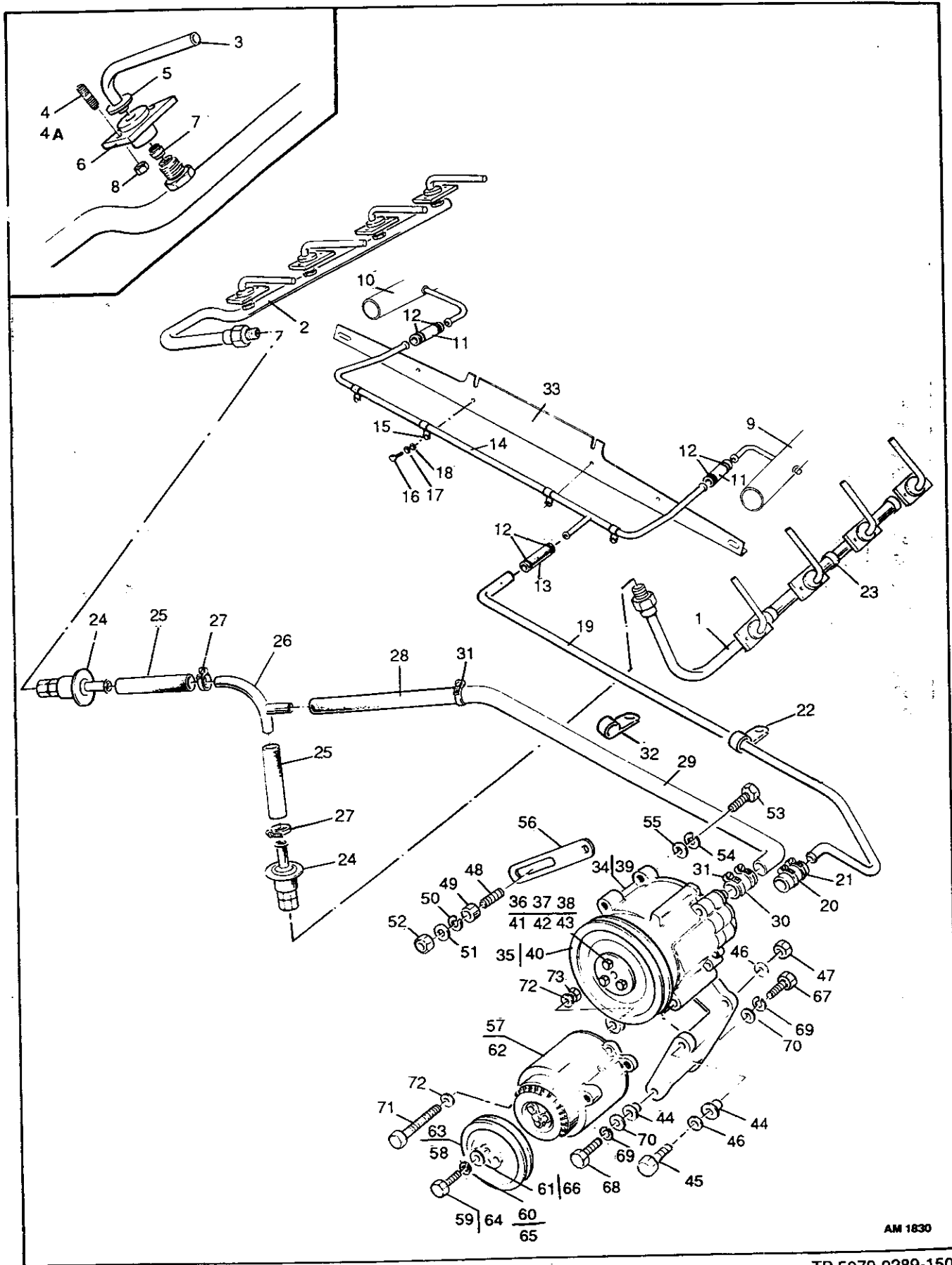
### Emission Control Cars

Illus. No.	Part No.	Description	Qty	Remarks
<b>Air Pumps and Fixings</b>				
35	07.17397	Air pump, primary	1	Manifold air injection
36	07.15075	Pulley, 4.6in. dia.	1	
37	692146	Bolt, M6 x 20	3	} Fixings, pulley to air pump
38	692046	Washer, spring, M6	3	
39	692056	Washer, plain, M6	3	
40	07.10803	Mounting bracket, primary pump	1	Cars up to Oct. 1983
41	500640	Bolt, 3/8in. UNC x 5in.	1	} Primary pump to mounting bracket, up to Oct. 1983
42	119472	Washer, plain, 3/8in.	2	
43	119482	Washer, spring, 3/8in.	1	
44	544006	Nut, 3/8in.UNC	1	
45	07.10803	Mounting bracket, primary pump (with metric-tapped boss)	1	Cars after Oct. 1983
46	692813	Bolt, M10 x 120	1	} Primary pump to mounting bracket with metric boss; Cars after October 1983
47	692058	Washer, plain, M10	1	
48	692048	Washer, spring, M10	1	
49	07.10807	Adjusting link, primary pump	1	} Adjusting link to primary pump
50	692202	Bolt, M10 x 30	1	
51	692048	Washer, spring, M10	1	
52	692058	Washer, plain, M10	1	
53	07.17894	Adjusting link mounting bracket	1	} Adjusting link mounting bracket to adjusting link
54	520609	Bolt, 3/8in. UNF x 1 1/8in. long	1	
55	119472	Washer, plain, 3/8in.	1	
56	123113	Nut, 3/8in. UNF	1	
57	07.15329	Mounting bracket, distributor vacuum switch	1	
58	07.20955	Distributor vacuum valve	2	Silver
59	692353	Screw, M4 x 8	4	} Vacuum valve fixings
60	692054	Washer, plain, M4	4	
-	07.16042	Valve lettering A.B.C.D	as reqd	
61	07.17397	Air pump, secondary	1	Catalyst air injection
62	07.15075	Pulley, 4.6in. dia.	1	
63	692146	Bolt, M6 x 20	3	} Fixings, pulley to air pump
64	692046	Washer, spring, M6	3	
65	692056	Washer, plain, M6	3	
66	89.17916	Mounting bracket, secondary pump	1	For cars up to Oct. 1983
67	520636	Bolt, 3/8in. UNF x 4 1/2in. long	1	} Secondary pump to mounting bracket For cars up to Oct. 1983
68	119482	Washer, spring, 3/8in.	1	
69	89.17916	Mounting bracket, secondary pump (with metric-tapped boss)	1	For cars after Oct. 1983
70	692813	Bolt, M10 x 120	1	} Secondary pump to mounting bracket with metric boss; after October 1983
71	692048	Washer, spring, M10	1	
72	692058	Washer, plain, M10	1	
73	07.17895	Adjusting link, secondary pump	1	} Adjusting link to bracket
74	692087	Bolt, M8 x 20	1	
75	692057	Washer, plain, M8	1	
76	692047	Washer, spring, M8	1	
77	692202	Bolt, M10 x 30	1	} Adjusting link to secondary pump
78	692048	Washer, spring, M10	1	

# FUEL, EMISSION CONTROL, EXHAUST

## Air Injection System

EFI Cars-USA, Japanese, & Swiss from 1988



AM 1830



## FUEL, EMISSION CONTROL, EXHAUST

### Air Injection System

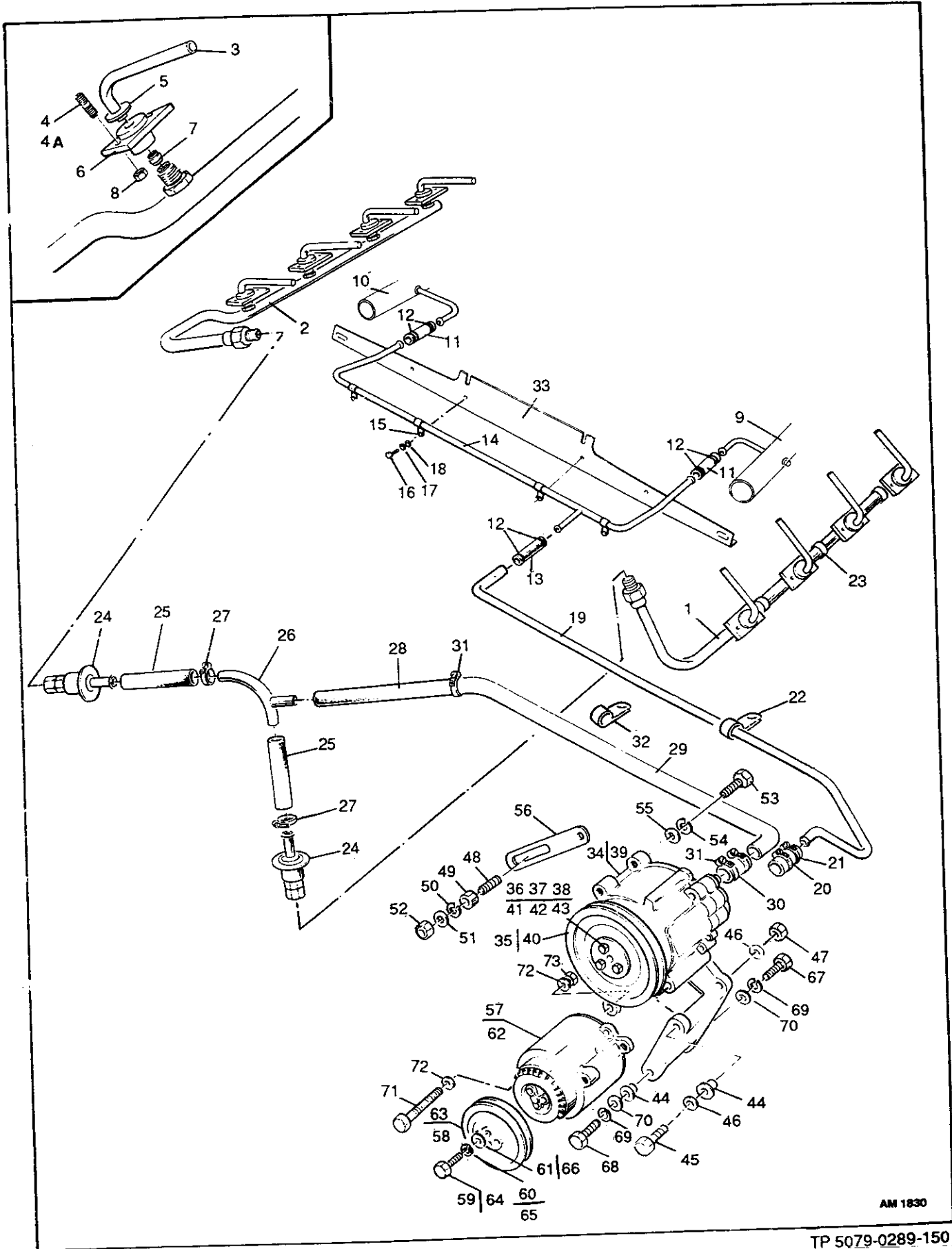
EFI Cars - USA & Japanese. Swiss from 1988

Illus. No.	Part No.	Description	Qty	Remarks
<b>Manifolds, Pipes and Hoses</b>				
1	07.19587	Manifold assembly, LH	1	
2	07.21237	Manifold assembly, RH	1	
3	090.007.0112	Tube, air injection	8	
4	691355	Stud, long, 1/4in. UNF/UNC x 1.38in. Long	8	} Air injection assembly
4A	123185	Stud, short, 1/4in. UNF/UNC X 1.35in long	8	
5	690625	Washer, copper	8	
6	090.007.0113	Flange	8	
7	691628	Tubing sleeve	8	
8	691629	Nut, brass, 1/4in. UNF	16	
9	35.21544	Exhaust pipe, intermediate, LH	1	
10	35.21545	Exhaust pipe, intermediate, RH	1	
11	35.17945	Hose	2	Cross tube to pipe nozzles
12	692674	Hose clip	6	
13	35.17946	Hose	1	Air feed pipe to cross tube
14	35.21744	Cross tube	1	
15	692208	'P' clip	4	} Fixings - cross tube to support bar
16	692005	Screw, M5 x 16	4	
17	692045	Washer, spring, M5	4	
18	692055	Washer, plain, M5	4	
19	07.21766	Air pipe	1	At side of engine
20	691919	Hose, 5/8in. ID. x 3in. long	1	
21	692722	Hose clip	2	Crimp on type
22	020.037.0188	'P' clip	3	} Securing together of 'P' clips, items 22 and 23. } Holds air pipe to manifold assembly LH
23	020.037 0189	'P' clip	3	
-	692090	Screw, M5 x 12	3	
-	692075	Nut, M5	3	
-	692055	Washer, plain, M5	6	
-	692045	Washer, spring, M5	3	
24	090.007.0119	Check valve	2	
25	691919	Hose, 5/8in. ID x 6in. long	2	
26	07.21578	Air pipe	1	
27	691024	Hose clip	4	
28	121823	Hose, 3/4in. ID x 8in. long	1	
29	07.21160	Air pipe	1	
30	121823	Hose, 3/4in. ID x 3in. long	1	
31	692723	Hose clip	4	Crimp on type
32	020.033.0245	'P' clip	as reqd	
33	-	Support bar		See Exhaust System section
<b>Air Pumps and Fixings</b>				
34	07.17397	Air pump, primary	1	} Pulley fixings } Cars up to mid 1987
35	07.15075	Pulley, air pump, 4.6in. dia.	1	
36	692146	Bolt, M6 x 20	3	
37	692046	Washer, spring, M6	3	
38	692056	Washer, plain, M6	3	
39	07.22769	Air pump, primary	1	
40	07.22741	Pulley, air pump, 4.6in. dia.	1	} Pulley fixings } Cars after mid 1987
41	692087	Bolt, M8 x 20	3	
42	692047	Washer, spring, M8	3	
43	692057	Washer, plain, M8	3	

# FUEL, EMISSION CONTROL, EXHAUST

## Air Injection System

EFI Cars-USA, Japanese, & Swiss from 1988



AM 1830





# FUEL, EMISSION CONTROL, EXHAUST

## Air Injection System

EFI Cars - USA & Japanese. Swiss from 1988

Illus. No.	Part No.	Description	Qty	Remarks
44	07.21077	Bush, air pump bolt	2	
45	693217	Bolt, M10 x 160	1	
46	692058	Washer, plain, M10	2	
47	692034	Nut, Nyloc, M10	1	
48	07.21233	Stud, M8 x 35	1	
49	07.21151	Spacer, 3mm thick	1	} Adjuster link to front cover
50	692047	Washer, spring, M8	1	
51	692057	Washer, plain, M8	1	
52	692135	Nut, Nyloc, M8	1	
53	692185	Bolt, M10 x 25	1	} Adjuster link to air pump
54	692048	Washer, spring, M10	1	
55	692058	Washer, plain, M10	1	
56	07.21078	Adjuster link	1	
57	07.17397	Air pump, secondary	1	
58	07.21623	Pulley, air pump, 3.9in. dia.	1	} Pulley fixings } Cars up to mid 1987
59	693236	Bolt, M6 x 25	3	
60	692046	Washer, spring, M6	3	
61	692056	Washer, plain, M6	3	
62	07.22769	Air pump, secondary	1	
63	07.22742	Pulley, air pump, 3.9in. dia.	1	} Pulley fixings } Cars after mid 1987
64	692129	Bolt, M8 x 25	3	
65	692047	Washer, spring, M8	3	
66	692057	Washer, plain, M8	3	
67	692516	Bolt, M10 x 45	1	
68	692229	Bolt, M10 x 40	1	
69	692048	Washer, spring, M10	2	
70	692058	Washer, plain, M10	2	
71	693218	Bolt, M10 x 140	1	
72	692058	Washer, plain, M10	2	
73	692034	Nut, Nyloc, M10	1	

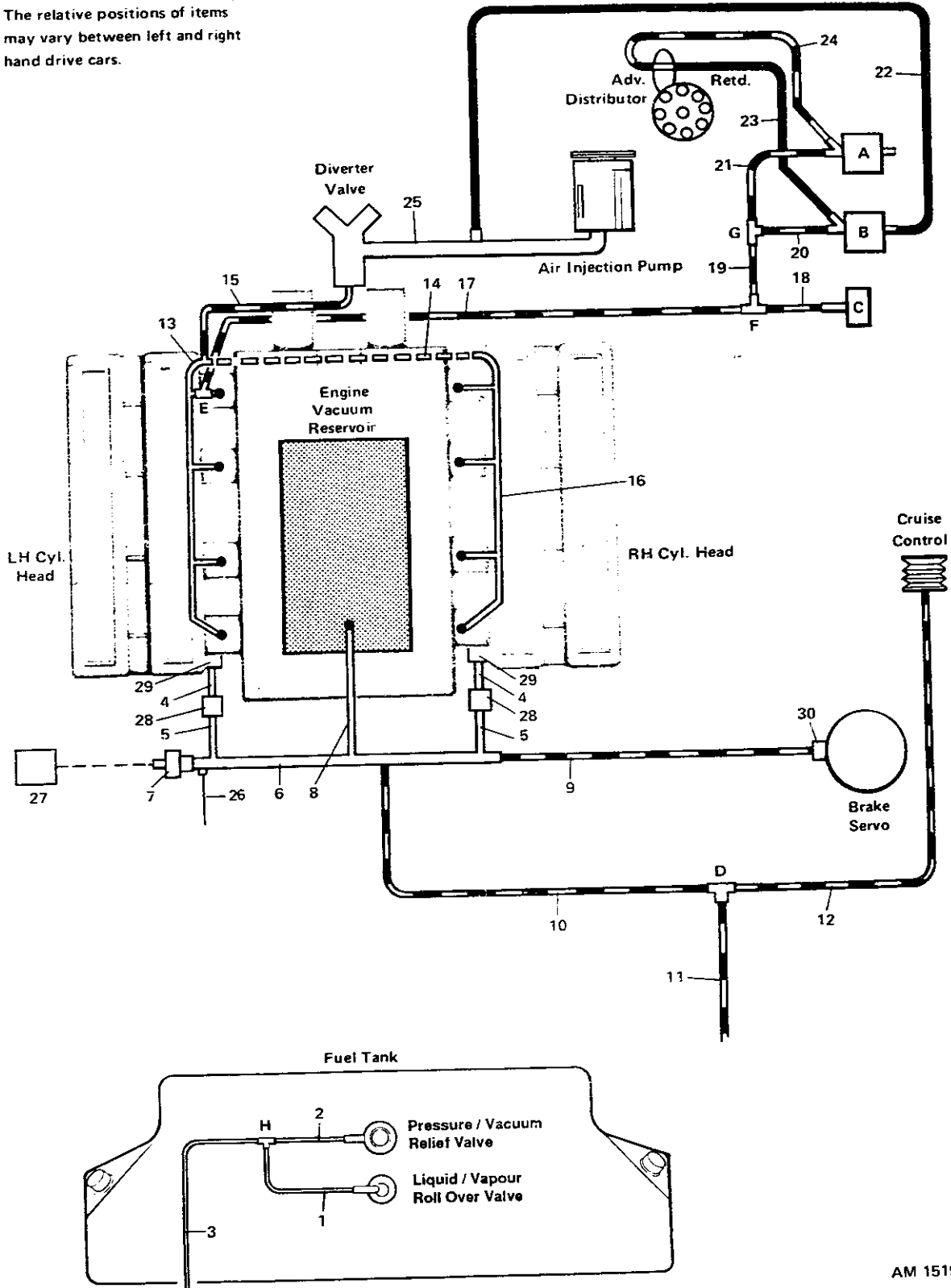
# FUEL, EMISSION CONTROL, EXHAUST

## Vacuum System

### Standard Carburettor Cars 1980



The relative positions of items may vary between left and right hand drive cars.



AM 1519



## FUEL, EMISSION CONTROL, EXHAUST

## Vacuum System

## Standard Carburettor Cars 1980

Illus. No.	Part No.	Description	Qty	Remarks
1	692235	Tubing, natural, 0.187in. ID, 6in.(152mm)	1	Tank roll-over valve to tee piece 'H'
2	692105	Tubing, 0.242in. ID, 8in.(203mm)	1	Pressure/vacuum relief valve to tee piece 'H'
3	692105	Tubing, 0.242in. ID, 40in.(1010mm)	1	Tee piece 'H' to atmosphere
4	692643	Hose, vacuum, 11/32in. ID, 1 3/4in.(44mm)	2	Cylinder head to non-return valve
5	692643	Hose, vacuum, 11/32in. ID 1 3/4in. (44mm)	2	Non-return valve to vacuum rail
6	33.16715	Vacuum rail, 5 hose outlets	1	
7	33.16742	Switch, vacuum warning	1	
8	692643	Hose, vacuum, 11/32in. ID, 8in.(203mm)	1	Vacuum reservoir to vacuum rail
-	692643	Hose, vacuum, 11/32in. ID, 24in.(610mm)	1	LHD cars Vacuum rail
9	692643	Hose, vacuum, 11/32in. ID, 40in.(1016mm)	1	RHD cars to servo
10	692644	Hose, vacuum, 7/32in. ID, 4in.(102mm)	1	Vacuum rail to tee piece 'D'
11	692644	Hose, vacuum, 7/32in. ID, 17in.(432mm)	1	Tee piece 'D' to air conditioning
12	692644	Hose, vacuum, 7/32in. ID, 45in.(1143mm)	1	Tee piece 'D' to cruise control
13	095.008.0145	Rail, vacuum, LH	1	
14	691495	Hose, petrol, 1/4in. ID, 13in.(330mm)	1	RH vacuum rail to LH vacuum rail
15	692546	Tubing, black, 1/8in. ID, 20in.(508mm)	1	LH vacuum rail to diverter valve
16	095.008.0146	Rail, vacuum, RH	1	
17	692546	Tubing, black, 1/8in. ID, 12in.(305mm)	1	Tee piece 'E' to tee piece 'F'
18	692546	Tubing, black, 1/8in. ID, 4in.(100mm)	1	Vacuum solenoid 'C' to tee piece 'F'
19	692546	Tubing, black, 1/8in. ID, 4in.(100mm)	1	Tee piece 'F' to tee piece 'G'
20	692546	Tubing, black, 1/8in. ID, 4in.(100mm)	1	Vacuum solenoid 'B' to tee piece 'G'
21	692546	Tubing, black, 1/8in. ID, 4in.(100mm)	1	Vacuum solenoid 'A' to tee piece 'G'
22	692546	Tubing, black, 1/8in. ID, 46in.(1170mm)	1	Vacuum solenoid 'B' to air injection
23	692546	Tubing, black, 1/8in. ID, 12in.(305mm)	1	Vacuum solenoid 'B' to distributor (ignition retard side)
24	692546	Tubing, black, 1/8in. ID, 22in.(560mm)	1	Vacuum solenoid 'A' to distributor - (ignition advance side)
25	-	Air injection piping		
26	095.037.0005	Earth lead, vacuum switch	1	
-	37.15763	Harness, vacuum switch	1	
27	37.16007	Warning unit 'Low Vacuum'	1	
-	112189	Screw, 2BA	2	} Fixings, warning unit to wheelarch
-	691976	Rivnut, 2BA	2	
28	33.16743	Vacuum non-return valve, push-in type	2	
29	069.033.0168	Banjo	2	
-	022.033.0265	Bolt, banjo	2	
-	022.033.0202	Washer, copper	4	
30	96.14672	Servo non-return valve	1	Part of brake servo
-	692634	Clip, hose, worm drive	as reqd	} For hoses 11/32in. ID, Part No. 692643
-	692645	Clip, hose, crimp on	as reqd	
-	692613	Clip, hose, worm drive	as reqd	} For hoses 7/32in. ID, Part No. 692644
-	692671	Clip, hose, crimp on	as reqd	

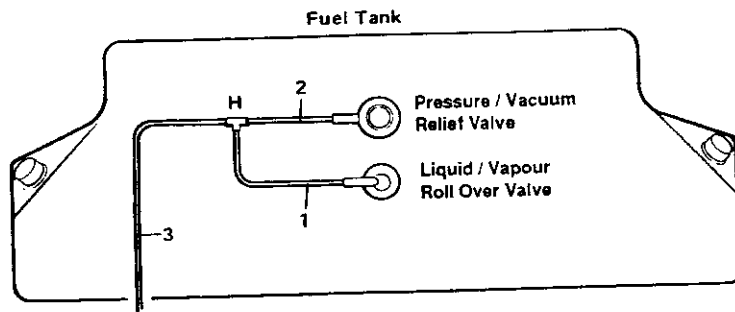
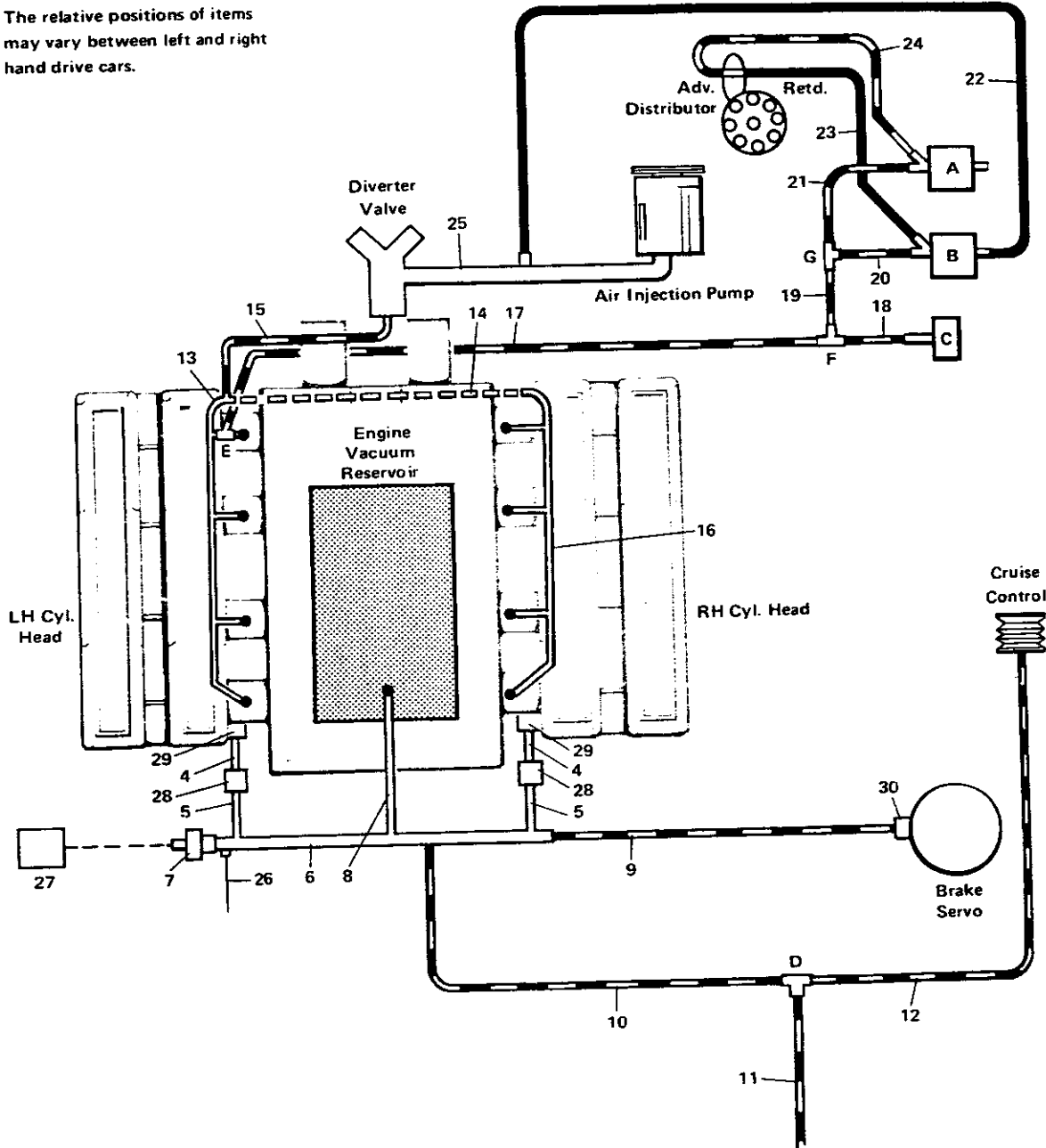
# FUEL, EMISSION CONTROL, EXHAUST

## Vacuum System

### Standard Carburettor Cars 1980



The relative positions of items may vary between left and right hand drive cars.



AM 1519



# FUEL, EMISSION CONTROL, EXHAUST

## Vacuum System

### Standard Carburettor Cars 1980

Illus. No.	Part No.	Description	Qty	Remarks
-	692203	Tee piece, 6-4-6mm	as reqd	} For vacuum hoses
-	692201	Tee piece, 6-6-6mm	as reqd	
-	692446	Tee piece, 10-6-10mm	as reqd	
<p><b>Note:</b> Some cars have been fitted with new valves, Item 28, Part No. 33.16743, and hoses, Part No. 692643 and 692644 but not the rail, Item 6. Therefore the layout will differ on these cars.</p>				
-	048.033.0258	Vacuum non-return valve, screw-in type	2	} Early cars
-	022.033.0202	Washer	2	
-	691080	Clip, hose	as reqd	
-	691489	Vacuum hose, 3/8in. ID	as reqd	
-	692307	Vacuum hose, 1/4in. ID	as reqd	
-	692181	Tee piece, 10-10-10mm	as reqd	
-	692203	Tee piece, 6-4-6mm	as reqd	
-	692446	Tee piece, 10-6-10mm	as reqd	

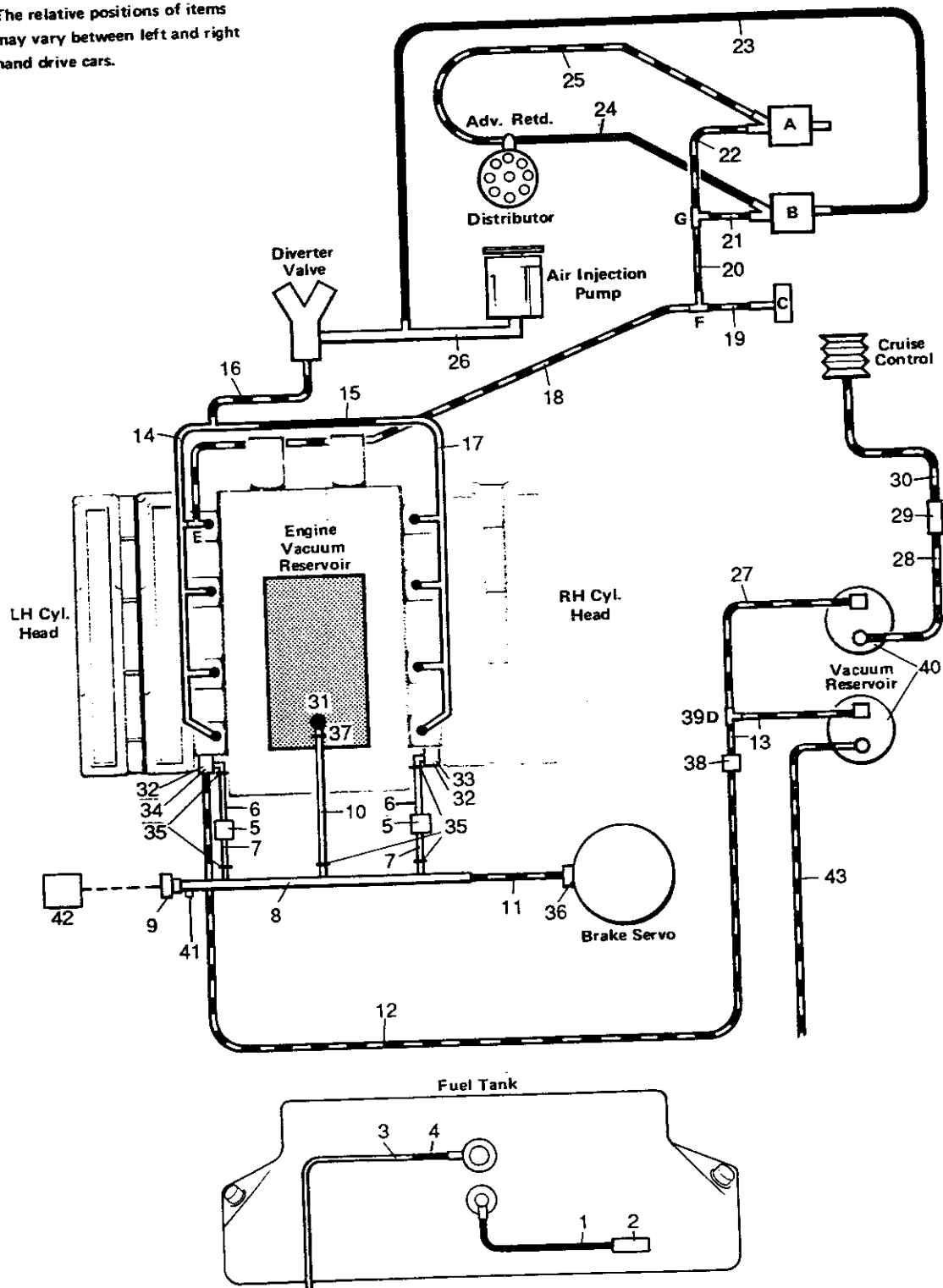
# FUEL, EMISSION CONTROL, EXHAUST

## Vacuum System

### Standard Carburettor Cars 1983



The relative positions of items may vary between left and right hand drive cars.





## FUEL, EMISSION CONTROL, EXHAUST

## Vacuum System

## Standard Carburettor Cars 1983

Illus. No.	Part No.	Description	Qty	Remarks
1	692235	Tubing, natural, 0.187in. ID, 48in.(1220mm)	1	} Fuel tank roll-over valve to atmosphere. Not Canadian or Saudia Arabian cars
2	030.08.0058	Tubing, clear, 1/4in. ID, 2in.(50mm)	1	
3	692105	Tubing, black, 0.242in. ID, 48in.(1220mm)	1	
4	691624	Tubing, black, 0.312in ID, 6in.(150mm)	1	
5	33.16743	Vacuum non-return valve	2	
6	692643	Hose, vacuum, 11/32in. ID, 1 3/4in.(34mm)	2	
7	692643	Hose, vacuum, 11/32in. ID, 1 3/4in.(34mm)	2	Cylinder head to non-return valve
8	33.18275	Rail, vacuum, 4 hose outlets	1	Non-return valve to vacuum rail
9	33.16742	Switch, vacuum warning	1	
10	692643	Hose, vacuum, 11/32in. ID, 8in.(203mm)	1	Engine vacuum reservoir to vacuum rail
11	692643	Hose, vacuum, 11/32in. ID, 40in.(1020mm)	1	RHD } Vacuum rail to
-	692643	Hose, vacuum, 11/32in. ID, 24in.(609mm)	1	LHD } brake servo
12	692644	Hose, vacuum 7/32in. ID, 24in.(609mm)	1	RHD } Banjo bolt to
-	692644	Hose, vacuum, 7/32in. ID, 36in.(900mm)	1	LHD } non-return valve
13	692644	Hose, vacuum, 7/32in. ID, 3in.(75mm)	1	Non-return valve to tee piece 'D'
	692644	Hose, vacuum, 7/32in. ID, 3in.(75mm)	1	Tee piece 'D' to vacuum reservoir tank
14	095.008.0145	Rail, vacuum, LH	1	
15	691495	Hose, petrol, 1/4in. ID, 13in.(330mm)	1	RH to LH vacuum rails
16	692546	Tubing, black, 1/8in. ID, 20in.(508mm)	1	LH vacuum rail to diverter valve. Not Canadian cars
17	095.008.0146	Rail, vacuum, RH	1	
18	692546	Tubing, black, 1/8in. ID, 12in.(305mm)	1	Tee piece 'E' to tee piece 'F'
19	692546	Tubing, black, 1/8in. ID, 4in.(100mm)	1	Tee piece 'F' to vacuum solenoid 'C'
20	692546	Tubing, black, 1/8in. ID, 4in.(100mm)	1	Tee piece 'F' to tee piece 'G'
21	692546	Tubing, black, 1/8in. ID, 4in. (100mm)	1	Tee piece 'G' to vacuum solenoid 'B'
22	692546	Tubing, black, 1/8in. ID, 4in.(100mm)	1	Tee piece 'G' to vacuum solenoid 'A'
23	692546	Tubing, black, 1/8in. ID, 46in.(1170mm)	1	Vacuum solenoid 'B' to air injection
24	692546	Tubing, black, 1/8in. ID, 12in.(305mm)	1	Vacuum solenoid 'B' to distributor (ignition retard side)
25	692546	Tubing, black, 1/8in. ID, 22in.(560mm)	1	Vacuum solenoid 'A' to distributor (ignition advance side)
26	-	Air injection piping		} Not Canadian Cars
27	692644	Tubing, black, 7/32in. ID, 8in.(200mm)	1	
28	692546	Tubing, black, 1/8in. ID, 3in(75mm)	1	Tee piece 'D' to vacuum reservoir tank
29	692732	Adaptor, 6mm to 4mm	1	Vacuum reservoir tank to adaptor
30	692644	Hose, vacuum, 7/32in. ID, 60in.(1520mm)	1	RHD } Adaptor to
-	692644	Hose, vacuum, 7/32in. ID, 12in.(305mm)	1	LHD } cruise control

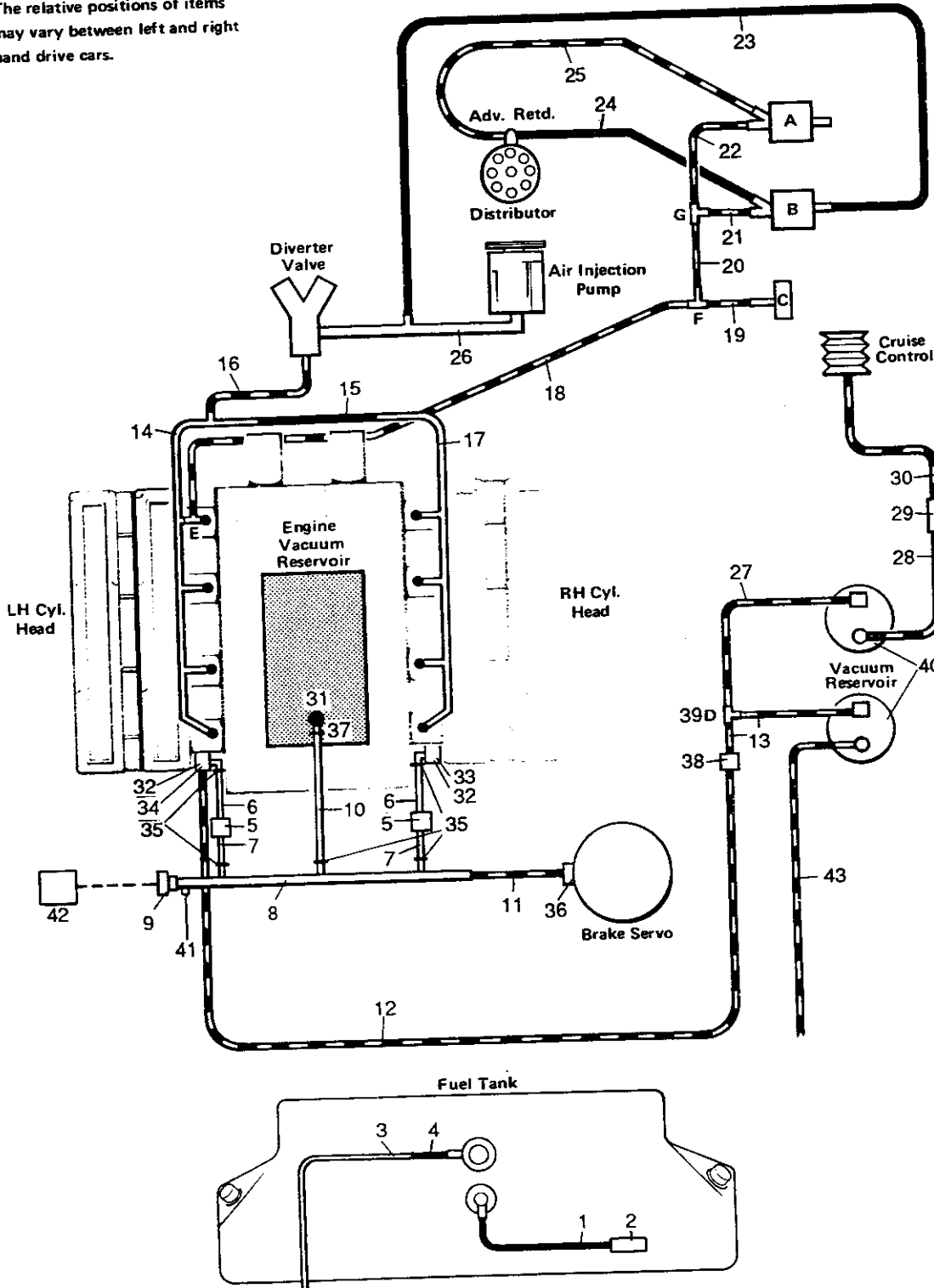


# FUEL, EMISSION CONTROL, EXHAUST

## Vacuum System

### Standard Carburettor Cars 1983

The relative positions of items may vary between left and right hand drive cars.







## FUEL, EMISSION CONTROL, EXHAUST

## Vacuum System

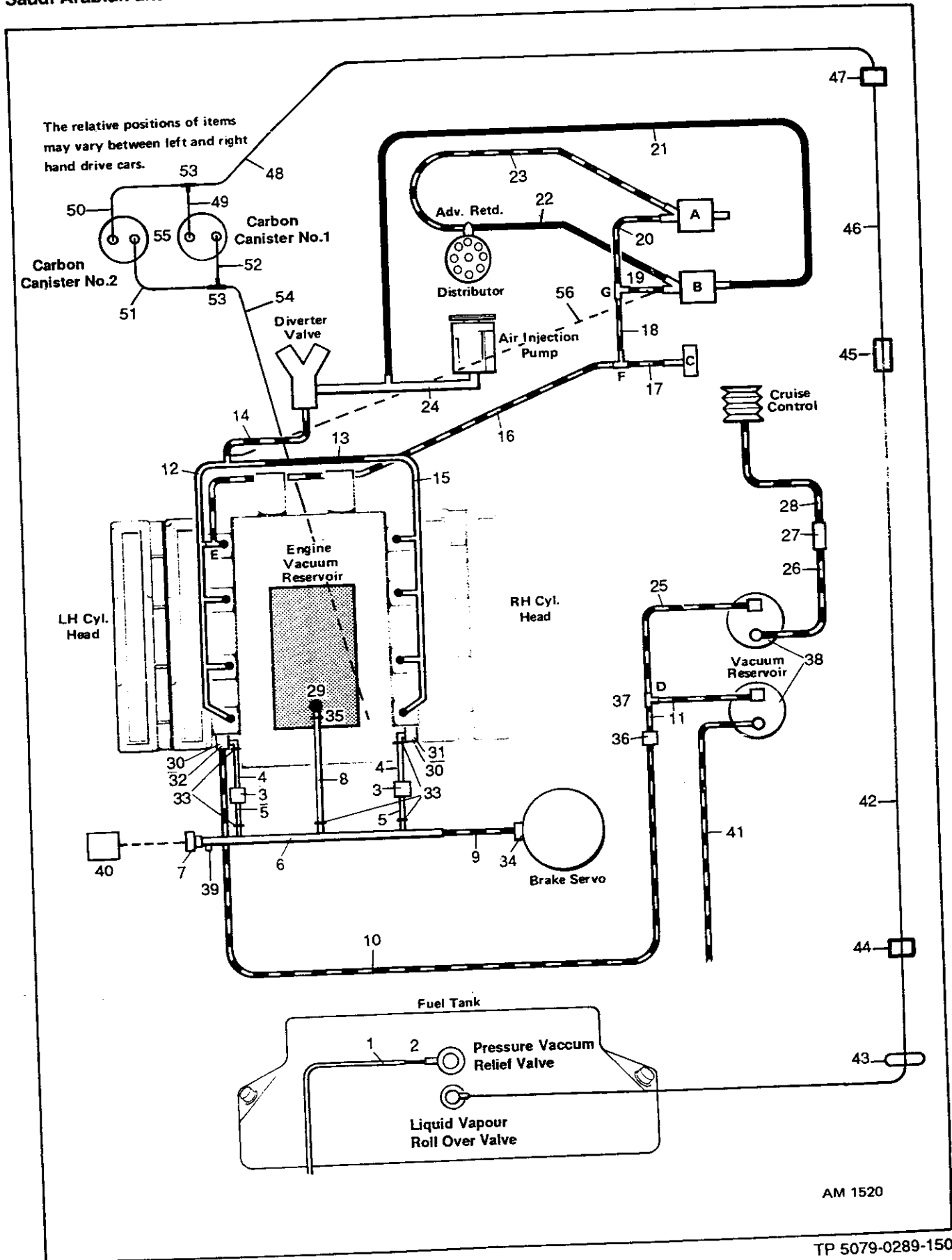
## Standard Carburettor Cars 1963

Illus. No.	Part No.	Description	Qty	Remarks
31	095.001.0005	Adaptor	1	Part of engine vacuum reservoir
32	069.033.0168	Banjo	2	
-	022.033.0202	Washer, sealing	4	
33	022.033.0265	Banjo bolt	1	
34	095.033.0176	Banjo bolt	1	
35	692645	'O' clip	5	
36	96.14672	Servo non-return valve	1	Part of brake servo
37	692634	Clip, hose	2	
38	095.034.0126	Non-return valve	1	
39	692201	Tee piece d, 6-6-6mm	1	
40	693060	Vacuum reservoir tank	2	Air conditioning and cruise control
-	33.18217	Mounting bracket, vacuum reservoir tanks	1	
-	692203	Tee piece, vacuum hose, 6-4-6mm	as reqd	
-	692446	Tee piece, vacuum hose, 10-6-10mm	as reqd	
41	095.037.0005	Earth lead, vacuum switch	1	Up to 1985
-	37.21292	Earth lead, vacuum switch	1	From 1985
-	37.15763	Harness lead, vacuum switch	1	} Up to
42	37.16007	Warning unit, 'Low Vacuum'	1	} Chassis No. 13283
-	37.18878	Warning unit 'Low Vacuum'	1	} From Chassis No.13284
-	112189	Screw, 2BA	2	} Fixings, warning unit
-	691976	Rivnut, 2BA	2	} to wheelarch
43	692644	Hose, vacuum, 7/32in. ID, 17in.(432mm)	1	Vacuum reservoir tank to air conditioning

# FUEL, EMISSION CONTROL, EXHAUST

## Vacuum System

Saudi Arabian and Canadian Carburettor Cars, 1984 on





# FUEL, EMISSION CONTROL, EXHAUST

## Vacuum System

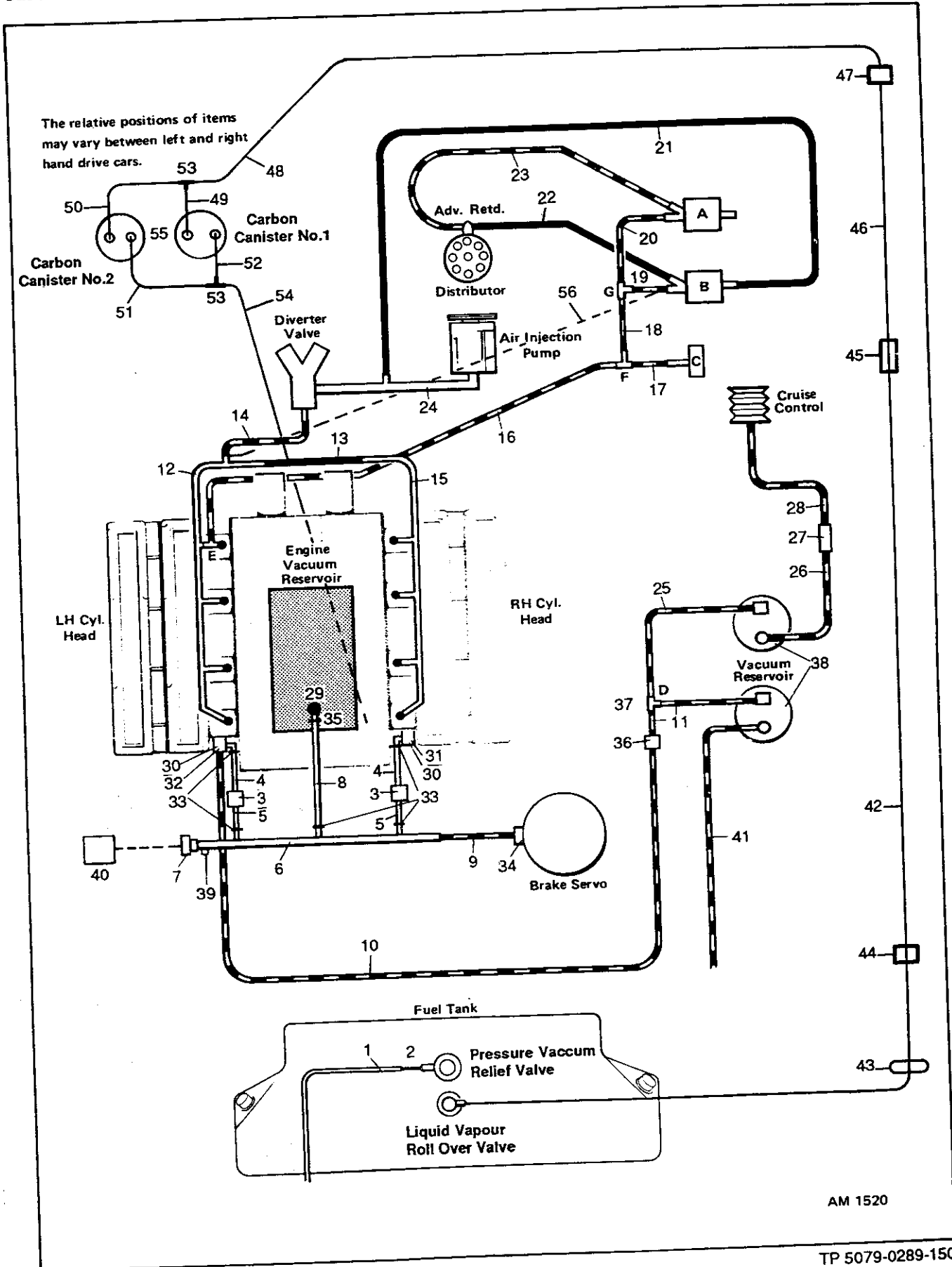
Saudi Arabian and Canadian Carburettor Cars, 1984 on

Illus. No.	Part No.	Description	Qty	Remarks
1	692105	Tubing, black, 0.242in. ID, 48in.(1220mm)	1	} Pressure/vacuum relief valve to atmosphere
2	691624	Tubing, black, 0.312in. ID, 6in.(150mm)	1	
3	33.16743	Vacuum non-return valve	2	
4	692643	Hose, vacuum, 1 1/32in. ID, 1 3/4in.(34mm)	2	
5	692643	Hose, vacuum, 1 1/32in. ID, 1 3/4in.(34mm)	2	Cylinder head to non-return valve
6	33.18275	Rail, vacuum, 4 hose outlets	1	Non-return valve to vacuum rail
7	33.16742	Switch, vacuum warning	1	
8	692643	Hose, vacuum, 1 1/32in. ID, 8in.(203mm)	1	Engine vacuum reservoir to vacuum rail
9	692643	Hose, vacuum, 1 1/32in. ID, 40in.(1020mm)	1	RHD } Vacuum rail
-	692643	Hose, vacuum, 1 1/32in. ID, 24in.(609mm)	1	LHD } to brake servo
10	692644	Hose, vacuum, 7/32in. ID, 24in.(609mm)	1	RHD } Banjo bolt to
-	692644	Hose, vacuum, 7/32in. ID, 36in.(900mm)	1	LHD } non-return valve
11	692644	{ Hose, vacuum, 7/32in. ID, 3in.(75mm)	1	Non-return valve to tee piece 'D'
	692644	{ Hose, vacuum, 7/32in. ID, 3in.(75mm)	1	Tee piece 'D' to vacuum reservoir tank
12	095.008.0145	Rail, vacuum, LH	1	
13	691495	Hose, petrol, 1/4in. ID 13in.(330mm)	1	RH vacuum rail to LH vacuum rail
14	692546	Tubing, black, 1/8in. ID, 20in.(508mm)	1	LH vacuum rail to diverter valve. Not Canadian cars
15	095.008.0146	Rail, vacuum, RH	1	
16	692546	Tubing, black, 1/8in. ID, 12in.(305mm)	1	Tee piece 'E' to tee piece 'F'
17	692546	Tubing, black, 1/8in. ID, 4in.(100mm)	1	Tee piece 'F' to vacuum solenoid 'C'
18	692546	Tubing, black, 1/8in. ID, 4in.(100mm)	1	Tee piece 'F' to tee piece 'G'
19	692546	Tubing, black, 1/8in. ID, 4in.(100mm)	1	Tee piece 'G' to vacuum solenoid 'B'
20	692546	Tubing, black, 1/8in. ID, 4in.(100mm)	1	Tee piece 'G' to vacuum solenoid 'A'
21	692546	Tubing, black, 1/8in. ID, 46in.(1170mm)	1	Vacuum solenoid 'B' to air injection
22	692546	Tubing, black, 1/8in. ID, 12in.(305mm)	1	Vacuum solenoid 'B' to distributor (ignition retard side)
23	692546	Tubing, black, 1/8in. ID, 22in.(560mm)	1	Vacuum solenoid 'A' to distributor (ignition advance side)
24	-	Air injection piping		} Not Canadian cars
25	692644	Hose, vacuum, 7/32in. ID, 8in.(200mm)	1	
26	692546	Tubing, black, 1/8in. ID, 3in.(75mm)	1	Tee piece 'D' to vacuum reservoir tank
27	692546	Tubing, black, 1/8in. ID, 3in.(75mm)	1	Vacuum reservoir tank to adaptor
28	692732	Adaptor, 6mm to 4mm	1	
29	692644	Hose, vacuum, 7/32in. ID, 60in.(1520mm)	1	RHD } Adaptor to
-	692644	Hose, vacuum, 7/32in. ID, 12in.(305mm)	1	LHD } cruise control
29	095.001.0005	Adaptor	1	Part of engine vacuum reservoir

# FUEL, EMISSION CONTROL, EXHAUST

## Vacuum System

Saudi Arabian and Canadian Carburettor Cars, 1984 on





# FUEL, EMISSION CONTROL, EXHAUST

## Vacuum System

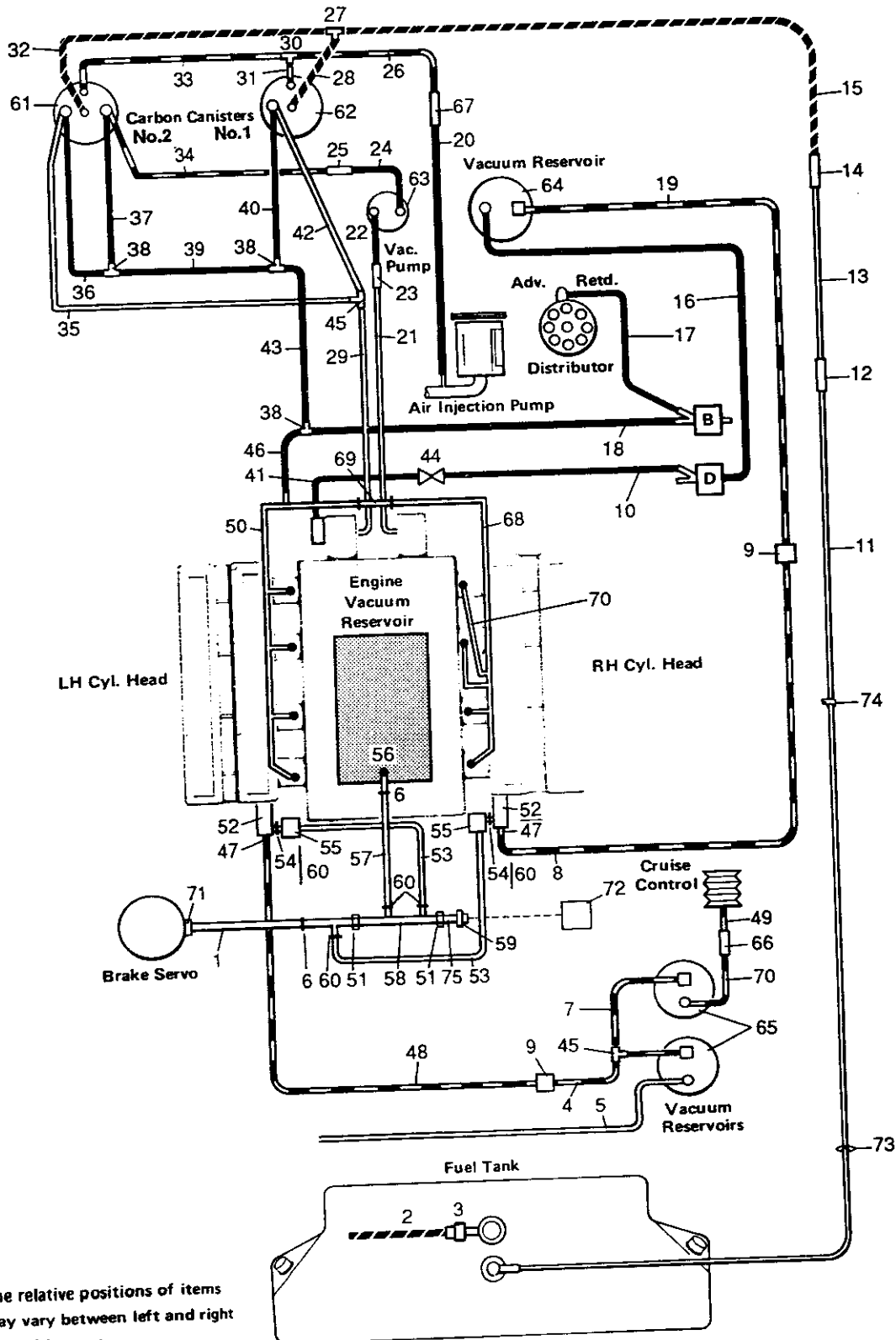
Saudi Arabian and Canadian Carburettor Cars, 1984 on

Illus. No.	Part No.	Description	Qty	Remarks
30	069.033.0168	Banjo	2	
-	022.033.0202	Washer, sealing	4	
31	022.033.0265	Banjo bolt	1	
32	095.033.0176	Banjo bolt	1	
33	692645	'O' clip	5	
34	96.14672	Servo non-return valve	1	Part of brake servo
35	692634	Clip, hose	2	
36	095.034.0126	Non-return valve	1	
37	692201	Tee piece 'D', 6-6-6mm	1	
38	693060	Vacuum reservoir tank	2	Air conditioning and cruise control
-	33.18217	Mounting bracket, vacuum reservoir tanks	1	
-	692203	Tee piece, vacuum hose, 6-4-6mm	as reqd	
-	692446	Tee piece, vacuum hose, 10-6-10mm	as reqd	
39	095.037.0005	Earth lead, vacuum switch	1	Up to 1985
-	37.21292	Earth lead, vacuum switch	1	From 1985
-	37.15763	Harness lead, vacuum switch	1	} Cars up to Chassis no. 13283
40	37.16007	Warning unit, ' Low Vacuum '	1	
-	37.18878	Warning unit, ' Low Vacuum '	1	} Cars from Chassis No. 13284
-	112189	Screw, 2BA	2	
-	691976	Rivnut, 2BA	2	} Fixings, warning unit to wheel arch
41	692644	Hose, vacuum, 7/32in. ID, 17in.(432mm)	1	Vacuum reservoir tank to air conditioning
42	692235	Tubing, natural, 0.187in. ID,(4267mm)	1	Fuel tank roll-over valve to adaptor
43	122010	Grommet	1	Tubing through boot
44	692525	'P' clip	14	Tubing support
45	692728	Adaptor, equal, 0.187in.	1	
46	692729	Tubing, natural,0.187in. ID, 60in(1524mm)	1	Adaptor to adaptor
47	097.034.0118	Adaptor, 0.187in. to 0.312in.	1	
48	691624	Tubing, black, 0.312in. ID, 12in.(305mm)	1	Adaptor to tee
49	691624	Tubing, black, 0.312in. ID, 3in.(75mm)	1	Tee to canister No.1 (centre)
50	691624	Tubing, black, 0.312in. ID, 6in.(150mm)	1	Tee to canister No. 2 (centre)
51	691624	Tubing, black, 0.312in. ID, 6in.(150mm)	1	Tee to canister No. 2 (side)
52	691624	Tubing, black, 0.312in. ID, 3in.(75mm)	1	Tee to canister No. 1 (side)
53	692182	Tee piece, 8-8-8mm	2	
54	691490	Hose, 5/16in. ID, 42in.(1067mm)	1	Tee to air box base
55	097.034.0107	Carbon canister	2	
-	34.18641	Retaining strap, carbon canisters	1	
-	692045	Washer, spring, M5	1	} Retaining strap closing
-	692287	Screw, M5 x 30	1	
-	34.18640	Central support bracket, carbon canisters	1	
-	34.17984	Side support bracket	1	
-	692090	Screw, M5 x 12	5	} Fixings, support bracket to chassis
-	692045	Washer, spring, M5	5	
56	692546	Tubing, black, 1/8in. ID, 22in(560mm)	1	Vacuum rail to vacuum solenoid B. Canadian cars only

# FUEL, EMISSION CONTROL, EXHAUST

## Vacuum System

### Emission Control Carburettor Cars



The relative positions of items may vary between left and right hand drive cars.



# FUEL, EMISSION CONTROL, EXHAUST

## Vacuum System

### Emission Control Carburettor Cars

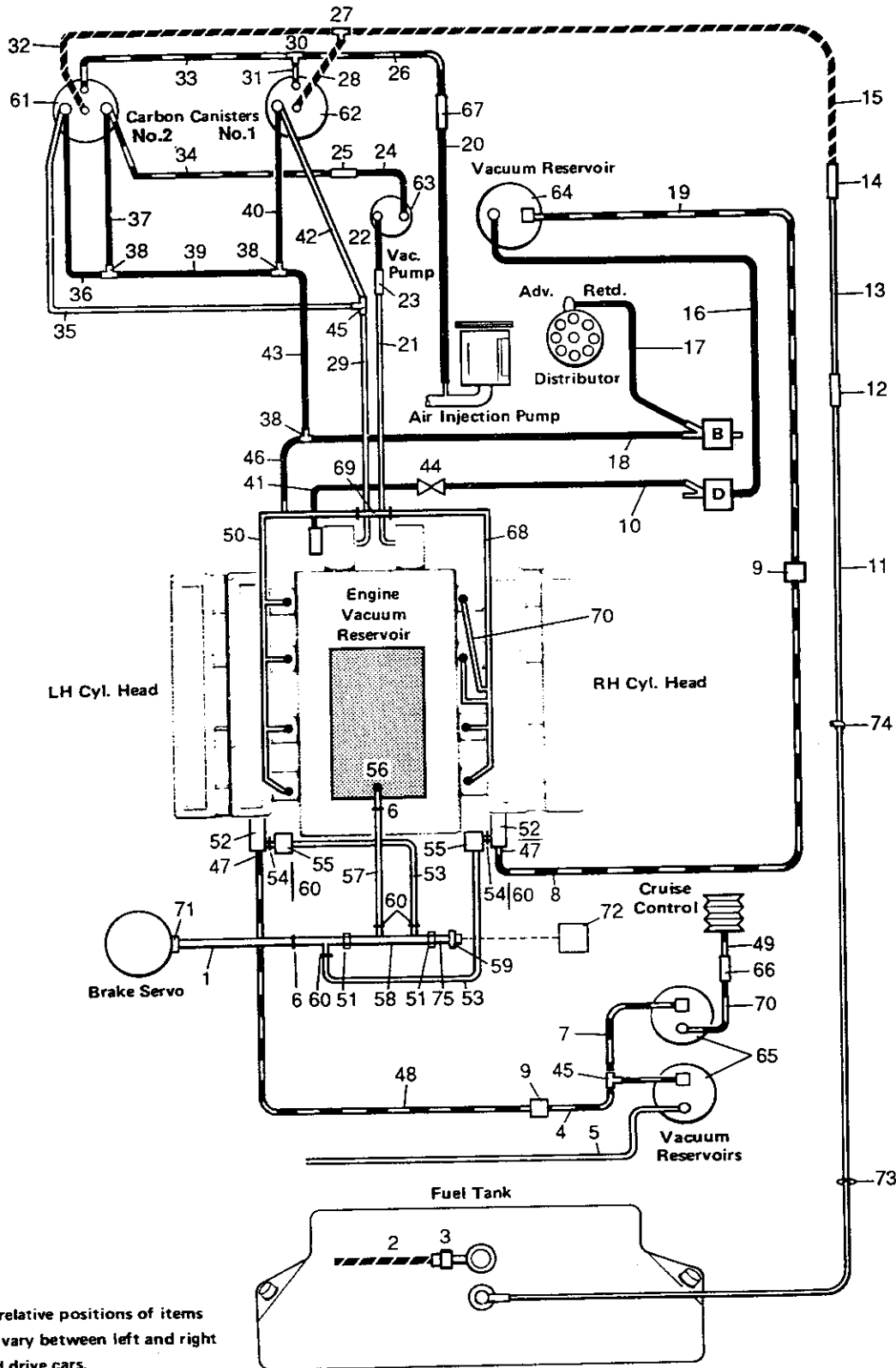
Illus. No.	Part No.	Description	Qty	Remarks
1	692643	Hose, vacuum, 11/32in. ID, 24in.(610mm)	1	Vacuum rail to brake servo
2	692105	Tubing, black, 0.242in. ID, 48in.(1220mm)	1	} Fuel tank pressure relief valve to atmosphere
3	691624	Tubing, black, 0.312in. ID, 6in.(150mm)	1	
4	692644	Hose, vacuum, 7/32in. ID, 3in.(75mm)	1	Non-return valve to tee piece
5	692644	Hose, vacuum, 7/32in. ID, 17in.(432mm)	1	Vacuum reservoir tank to air conditioning
6	692634	Hose clip	2	
7	692644	Hose, vacuum, 7/32in. ID, 8in.(203mm)	1	Tee piece to vacuum reservoir tank
8	692644	Hose, vacuum, 7/32in. ID, 48in.(1220mm)	1	Banjo bolt to non-return valve
9	095.034.0126	Non-return valve	2	
10	692546	Tubing, black, 1/8in. ID, 17in.(432mm)	1	Distributor valve 'D' to delay valve
11	692235	Tubing, natural, 0.187in. ID, 168in.(4267mm)	1	Roll-over valve to adaptor
12	692728	Adaptor, equal, 0.187in.	1	
13	692729	Tubing, natural, 0.187in. ID, 60in.(1524mm)	1	Adaptor to adaptor
14	097.034.0118	Adaptor, 0.187in. to 0.312in.	1	
15	691624	Tubing, black, 0.312in. ID, 12in.(305mm)	1	Adaptor to tee piece
16	692546	Tubing, black, 1/8in. ID, 25in.(635mm)	1	Vacuum reservoir to vacuum solenoid 'D'
17	692546	Tubing, black, 1/8in. ID, 16in.(406mm)	1	Vacuum solenoid 'B' to distributor
18	692546	Tubing, black, 1/8in. ID, 19in.(483mm)	1	Tee piece to vacuum solenoid 'B'
19	692644	Hose, vacuum, 7/32in. ID, 42in.(1067mm)	1	Non-return valve to vacuum reservoir
20	692546	Tubing, black, 1/8in. ID, 18in.(457mm)	1	Pressure take-off to adaptor
21	691495	Hose, petrol, 1/4in. ID, 25in.(635mm)	1	RH side of air box to adaptor
-	691495	Hose, petrol, 1/4in. ID, 28in.(711mm)	1	} RH side of air box to vacuum pump. Later vac. pump - no adaptor used.
-	692671	Hose clip	1	
22	692546	Tubing, black, 1/8in. ID, 3in. (75mm)	1	Adaptor to vacuum pump inlet } Not with later vac. pump
23	692732	Adaptor, 5mm to 4mm	1	
24	692546	Tubing, black, 1/8in. ID, 8in.(203mm)	1	Vacuum pump outlet to adaptor
-	691495	Hose, petrol, 1/4in. ID, 8in.(203mm)	1	} Later vacuum pump outlet to adaptor
-	692671	Hose clip	1	
25	097.034.0120	Adaptor, 0.187in. to 0.375in.	1	
-	692782	Adaptor, 10mm to 6mm	1	For use with later vacuum pump
26	692643	Hose, vacuum, 11/2in. ID, 18in.(457mm)	1	Adaptor to tee piece
27	692182	Tee piece, 8-8-8mm	1	
28	691624	Tubing, black, 0.312in. ID, 5 1/2in.(140mm)	1	Tee piece to No. 1 canister
29	691495	Hose, petrol, 1/4in. ID, 28in.(711mm)	1	LH side of air box to tee piece
30	692181	Tee piece, 10-10-10mm	1	
31	692643	Hose, vacuum, 11/32in. ID, 3in.(76mm)	1	Tee piece to No. 1 canister
32	691624	Tubing, black, 0.312in. ID, 10in.(254mm)	1	Tee piece to No. 2 canister
33	692643	Hose, vacuum, 11/32in. ID, 3in.(76mm)	1	Tee piece to No. 2 canister
34	692643	Hose, vacuum, 11/32in. ID, 12in.(305mm)	1	Adaptor to No. 2 canister
35	691495	Hose, petrol, 1/4in. ID, 11in.(279mm)	1	Tee piece to No. 2 canister
36	692546	Tubing, black, 1/8in. ID, 3 1/2in.(89mm)	1	Tee piece to No. 2 canister
37	692546	Tubing, black, 1/8in. ID, 3in.(76mm)	1	Tee piece to No. 2 canister
38	020.037.0768	Tee piece, 3mm	3	

# FUEL, EMISSION CONTROL, EXHAUST



## Vacuum System

### Emission Control Carburettor Cars



The relative positions of items may vary between left and right hand drive cars.





# FUEL, EMISSION CONTROL, EXHAUST

## Vacuum System

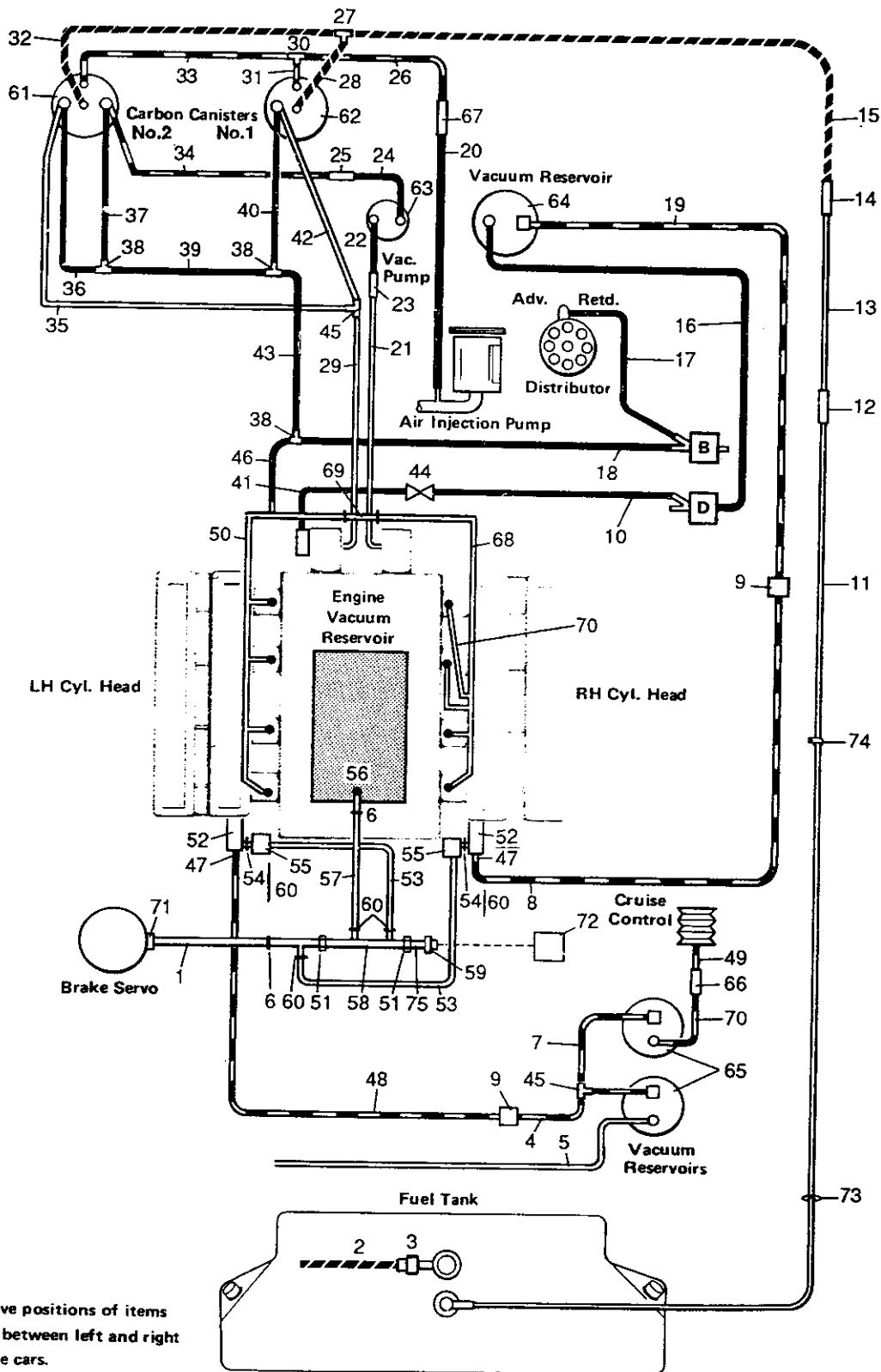
### Emission Control Carburettor Cars

Illus. No.	Part No.	Description	Qty	Remarks
39	692546	Tubing, black, 1/8in. ID, 7in.(178mm)	1	Tee piece to tee piece
40	692546	Tubing, black, 1/8in. ID, 3in.(76mm)	1	Tee piece to No. 1 canister
41	692546	Tubing, black, 1/8in. ID, 3 1/2in.(89mm)	1	Delay valve to flap valve
42	691495	Hose, petrol, 1/4in. ID, 4in.(102mm)	1	Tee piece to No. 1 canister
43	692546	Tubing, black, 1/8in. ID, 23in.(584mm)	1	Tee piece to tee piece
44	07.15226	Delay valve (yellow/black)	1	
45	692201	Tee piece, 6-6-6mm	2	
46	692546	Tubing, black, 1/8in. ID, 3in.(76mm)	1	LH vacuum rail to tee piece
47	692671	'O' clip	2	
48	692644	Hose, vacuum, 7/32in. ID, 36in.(915mm)	1	Banjo bolt to non-return valve
49	692644	Hose, vacuum, 7/32in. ID, 12in.(305mm)	1	Adaptor to cruise control
50	095.008.0145	Vacuum rail, LH	1	
51	020.037.0191	'P' clip	2	} Later cars
-	692090	Screw, M5 x 12	2	
-	692055	Washer, plain, M5	2	} Early cars
-	692726	Clip	2	
-	111205	Drive screw	2	
52	069.033.0168	Banjo	2	
-	022.033.0202	Gasket	4	
-	095.033.0176	Banjo bolt	2	
53	692643	Hose, vacuum, 11/32in. ID, 9in.(228mm)	2	Vacuum rail to non-return valve
54	692643	Hose, vacuum, 11/32in. ID, 1 3/4in.(19mm)	2	Non-return valve to banjo
55	33.16743	Non-return valve	2	
56	095.01.0005	Adaptor	1	Part of engine vacuum reservoir
57	692643	Hose, vacuum, 11/32in. ID, 7in.(178mm)	1	Vacuum tank to vacuum rail
58	33.18275	Vacuum rail, 4 hose outlets	1	
59	33.16742	Switch, vacuum warning	1	
60	692645	'O' clip	5	
61	097.034.0117	Carbon canister No. 2, air box	1	Carburettor vapour
62	097.034.0116	Carbon canister No. 1, fuel tank	1	Fuel tank vapour
-	34.15188	Drain tap	2	Base of each canister
-	692547	Loctite	as reqd	
-	34.17984	Mounting bracket, canisters	1	
-	34.17981	Central support, canisters	1	
-	34.17985	Strap, canister location	1	
-	692287	Screw, M5 x 30	1	} Strap fixing
-	692045	Washer, spring, M5	1	
-	692090	Screw, M5 x 12	5	} Fixings - bracket to chassis
-	692045	Washer, spring, M5	5	
63	34.17670	Vacuum pump	1	Early cars
-	34.18967	Vacuum pump	1	Later cars
-	34.17672	Anti-vibration mounting	1	Early cars
-	692781	Anti-vibration mounting	2	Later cars
-	692045	Washer, spring, M5	4	} Fixings, anti-vibration mount to bracket
-	692075	Nut, M5	4	
-	34.18965	Mounting bracket, vacuum pump	1	} Later cars
-	34.19019	Mounting bracket, vacuum pump bracket to chassis	1	
-	692090	Screw, M5 x 12	2	} Mounting bracket to cross member
-	692045	Washer, spring, M5	2	
-	692267	Screw, M6 x 30	1	} Anti-vibration mount to bracket
-	692056	Washer, plain, M6	1	
-	692151	Nut, Nyloc, M6	1	} Vacuum pump to anti-vibration mounting
-	110913	Screw, 4BA x 3/8in. long	2	
-	119495	Washer, plain, 4BA	4	
-	119521	Locknut, 4BA	2	

# FUEL, EMISSION CONTROL, EXHAUST

## Vacuum System

### Emission Control Carburettor Cars





## FUEL, EMISSION CONTROL, EXHAUST

## Vacuum System

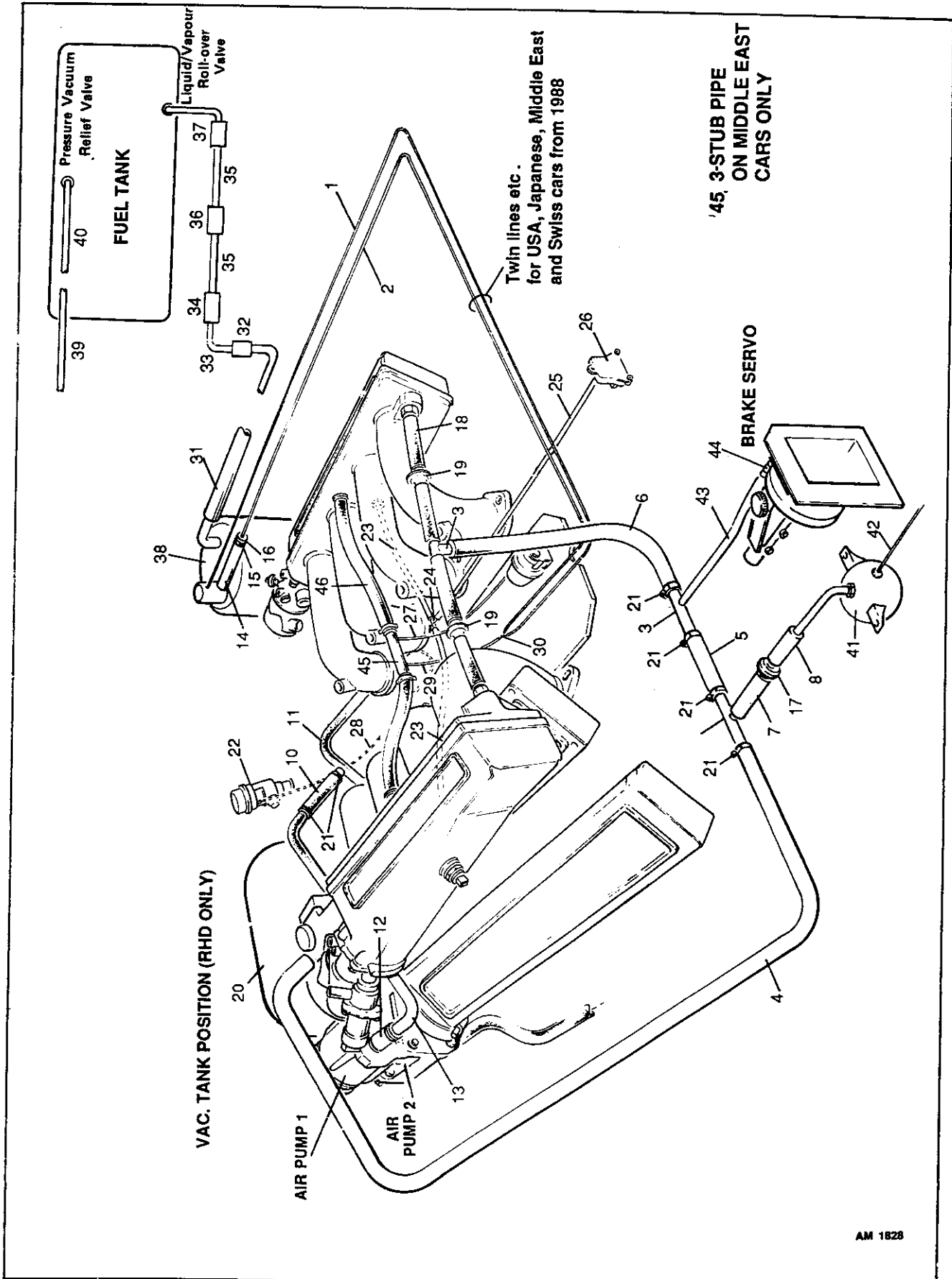
## Emission Control Carburettor Cars

Illus. No.	Part No.	Description	Qty	Remarks
-	691158	Screw, 4BA x 1/4in. long	2	} Fixings, later vacuum pump, Part No.34.18967 to bracket Part No.34.18965
-	119495	Washer, plain, 4BA	2	
64	693060	Vacuum reservoir, air box flaps	1	} Fixings, vacuum reservoir (Part No. 693060) to cross member
-	692090	Screw, M5 x 12	2	
-	692055	Washer, plain, M5	2	
-	692045	Washer, spring, M5	2	
65	693060	Vacuum reservoir, air conditioning and cruise control	2	
-	33.18217	Mounting bracket	1	
66	692732	Adaptor, 6mm to 4mm	1	
67	097.034.0120	Adaptor, 0.187in. to 0.375in.	1	
68	08.17904	Vacuum rail, RH	1	
69	692546	Tubing, black, 1/8in. ID, 2in.(50mm)	1	Vacuum rail RH to vacuum rail LH
70	692546	Tubing, black, 1/8in. ID,	as reqd	
71	96.14672	Servo non-return valve	1	Part of brake servo
72	37.16007	Warning unit ' Low Vacuum '	1	Up to Chassis No. 13283
-	37.18878	Warning unit ' Low Vacuum '	1	From Chassis No. 13284
-	37.15763	Harness	1	Up to Chassis No. 13283
-	112189	Screw, 2BA	2	} Fixings, Warning unit to wheelarch
-	691976	Rivnut, 2BA	2	
73	122010	Grommet	1	Tubing through boot
74	692525	'P' clip, 1/4 in.	14	Tubing support
75	095.037.0005	Earth lead, vacuum switch	1	Up to 1985
-	37.21292	Earth lead, vacuum switch	1	From 1985

# FUEL, EMISSION CONTROL, EXHAUST

## Vacuum System

### EFI Cars



AM 1828



## FUEL, EMISSION CONTROL, EXHAUST

## Vacuum System

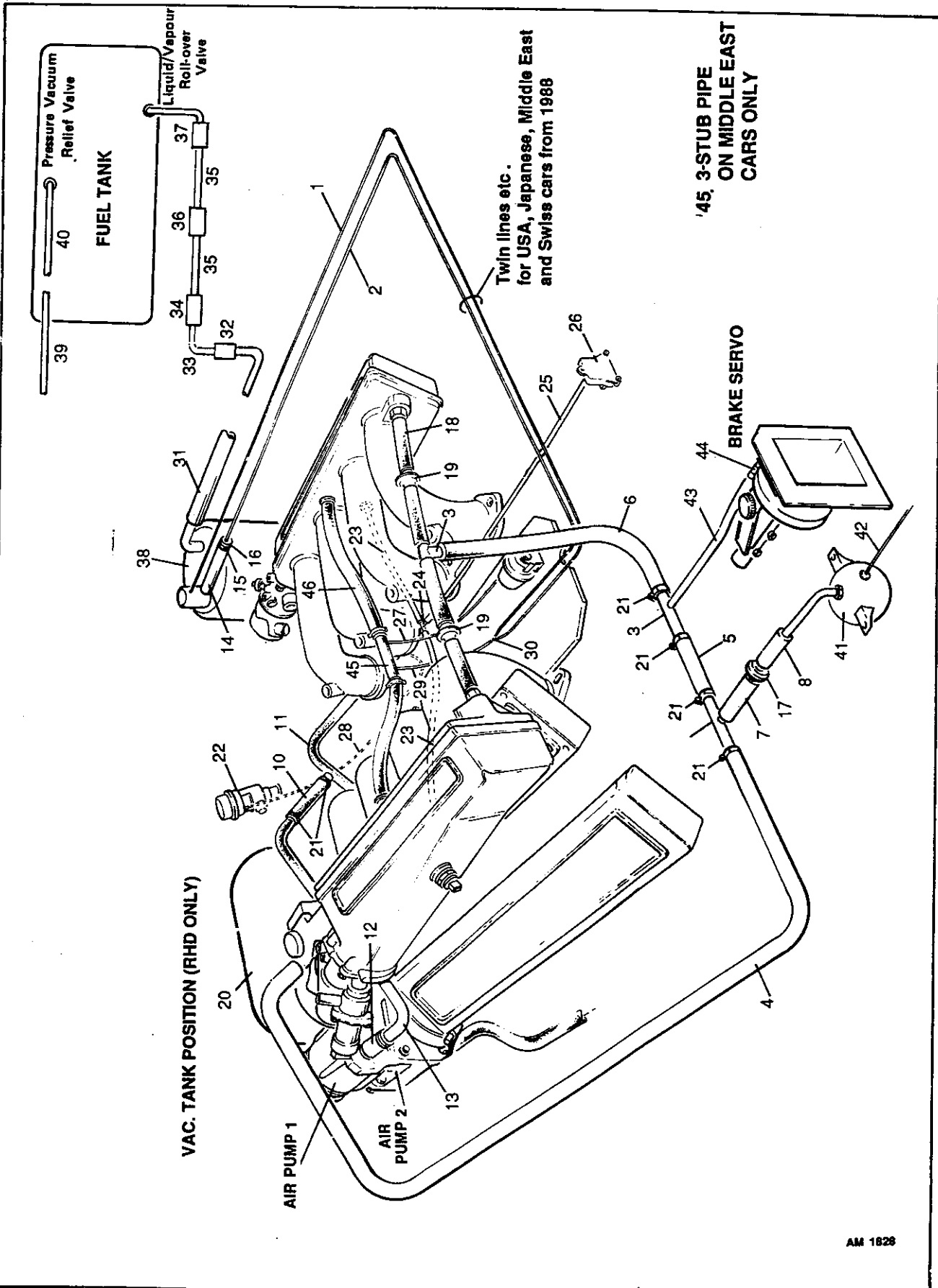
## EFI Cars

Illus. No.	Part No.	Description	Qty	Remarks
1	692546	Tubing, black, 1/8in. ID, 82in.(2100mm)	1	Carbon canister to "Y" piece Reducing adaptor to "Y" piece
2	692546	Tubing, black, 1/8in. ID, 82in.(2100mm)	1	
3	692181	Tee piece, 10-10-10mm	2	USA, Japanese and Middle East Cars. Swiss cars from 1988
4	692643	Hose, vacuum, 11/32in. ID, 75in.(1905mm)	1	
-	28.21171	Pipe, vacuum, primary, 11in.(280mm)	1	Later Cars } Vacuum tank Early cars } to tee piece
-	28.21218	Pipe, vacuum, secondary, 28in.(710mm)	1	
5	692643	Hose, vacuum, 11/32in. ID, 8in.(204mm)	1	Tee piece to tee piece
6	692643	Hose, vacuum, 11/32in. ID, 31in.(788mm)	1	Tee piece to tee piece
7	692307	Hose, vacuum, 1/4in. ID, 3in.(76mm)	1	Tee piece to non-return valve
-	693280	Hose, vacuum, 6mm ID. For later plastic N/R valve	4 in.	Tee piece to non-return valve
8	693293	Hose, fuel, 4.8mm ID, 1.5in.(38mm)	1	Non-return valve to air conditioning vacuum reservoir
9	692446	Tee piece, 10-6-10mm	1	Air pipe to feed pipe
10		Hose, 4.75in.(120mm)	1	
11		Feed pipe	1	See Section 2.3
12		Hose, 2.75in.(70mm)	1	
13		Pipe	1	No. 1 air pump to pipe
14	691495	Hose, vacuum, 1/4in. ID, 2.75in.(70m)	1	
15	692732	Adaptor, 6mm to 4mm	1	Carbon canister to adaptor
16	692671	Clip	2	
17	095.034.0126	Non-return valve, metal case	1	From approx. August 1989
-	694657	Non-return valve, plastic case	1	
-	693280	Hose, vacuum, 6mm ID.	4 in.	
-	692732	Reducing adaptor, 6mm - 4mm	1	
18	692643	Hose, vacuum, 11/32in. ID, 3.5in.(85mm)	4	See also Section 5.1C
19	33.16743	Non-return valve	2	
20	28.20878	Vacuum tank, brakes	1	Hose clip
21	692634	Hose clip	4	
22	095.007.0107	Diverter valve	1	Choke union to tee piece
23	692546	Tubing, black, 1/8in. ID, 17.5in.(440mm)	1	
24	08.21067	Tee piece, 4-4-4mm	1	Tee piece to absolute pressure sensor
25	692546	Tubing, black, 1/8in. ID, 13in.(320mm)	1	
26	08.20002	Absolute pressure sensor	1	Fixings, absolute pressure sensor to bulkhead
-	08.20861	Spacer	1	
-	692287	Screw, M5 x 30	3	
-	692045	Washer, spring, M5	5	
-	692055	Washer, plain, M5	8	
27	692546	Tubing, black, 1/8in. ID, 8in.(200mm)	1	Pipe assembly to fuel pressure regulator
28	692546	Tubing, black, 1/8in. ID, 20in.(500mm)	1	Pipe assembly to diverter valve. Not USA or Japanese cars, or Swiss cars from 1988

# FUEL, EMISSION CONTROL, EXHAUST

## Vacuum System

### EFI Cars



AM 1828



## FUEL, EMISSION CONTROL, EXHAUST

## Vacuum System

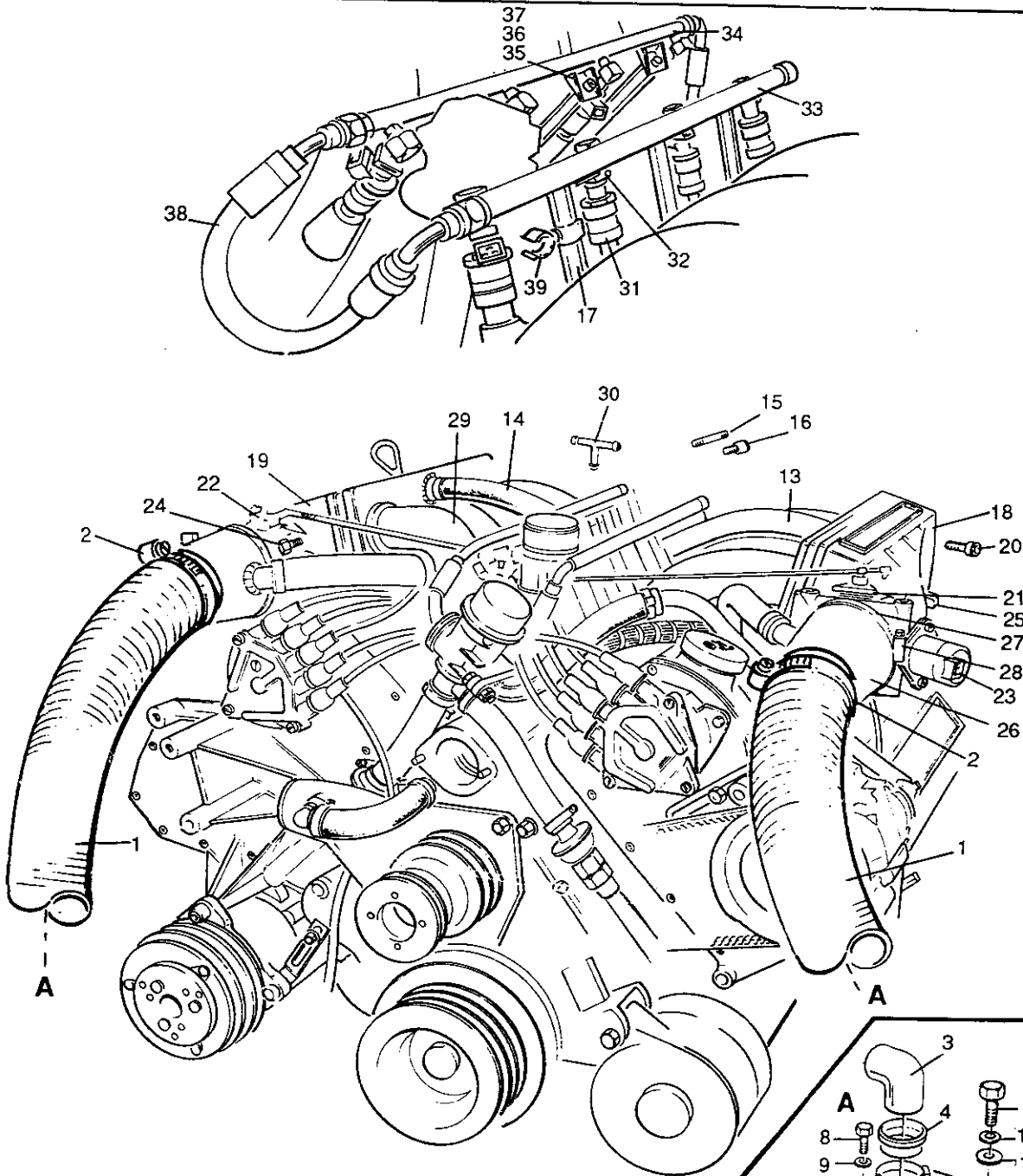
## EFI Cars

Illus. No.	Part No.	Description	Qty	Remarks
29	692546	Tubing, black, 1/8in. ID, 4in.(100mm)	1	Pipe assembly to 'Y' piece
30	08.21068	'Y' piece, 4-4-4mm	1	
31	691624	Tubing, black, 0.312in. ID, 2.5in.(60mm)	1	Adaptor to adaptor USA, Japanese and Middle East Cars. Swiss cars from 1988
32	097.034.0118	Adaptor, 0.187in. to 0.312	1	
33	692729	Tubing, natural, 0.187in. ID, 80in.(2000mm)	1	
34	692728	Adaptor, equal, 0.187in.	1	
35	692235	Tubing, natural, 0.187in. ID, 180in.(4500mm)	1	
36	692525	'P' clip	14	
37	122010	Grommet	1	
38	097.034.0116	Carbon canister	1	
-	34.15188	Drain cap	1	
-	692547	Loctite	as reqd	
-	691489	Hose, 3/8in. ID, 16in.(400mm)	1	Canister drain
-	08.20888	Mounting bracket, carbon canister	1	} Fixings mounting bracket } Early Cars USA, Japanese and Middle East Cars. Swiss cars from 1988
-	530408	Screw, 1/4in. UNF x 1in. long	2	
-	110943	Washer, spring, 1/4in.	2	
-	119470	Washer, plain, 1/4in.	2	
-	08.21732	Mounting bracket, carbon canister	1	
-	08.22644	Mounting bracket, carbon canister, new air horn kit, mid 1988	1	
-	08.23365	Mounting bracket, carbon canister	1	
-	692088	Screw, M6 x 16	4	
-	692046	Washer, spring, M6	4	
-	692056	Washer, plain, M6	4	
-	692146	Screw, M6 x 20	1	
-	692056	Washer, plain, M6	2	
-	692076	Nut, plain, M6	1	From Chassis No. 13541 } Later Cars
39	692105	Tubing, black, 0.242in. ID, 49in.(1220mm)	1	} Pressure relief valve to atmosphere - All cars
40	691624	Tubing, black, 0.312in. ID, 6in.(150mm)	1	
41	693060	Air-conditioning vacuum reservoir	1	Vacuum reservoir to air-conditioning
-	33.18217	Mounting bracket, vacuum reservoir	1	
42	692644	Hose, vacuum, 7/32in. ID	as reqd	Tee piece to brake servo
43	692643	Hose, vacuum, 11/32in. ID	as reqd	
44	96.14672	Servo non-return valve	1	} See section 1.1
45	-	Pipe assembly, 2 stub or 3 stub	1	
46	-	Hose	as reqd	

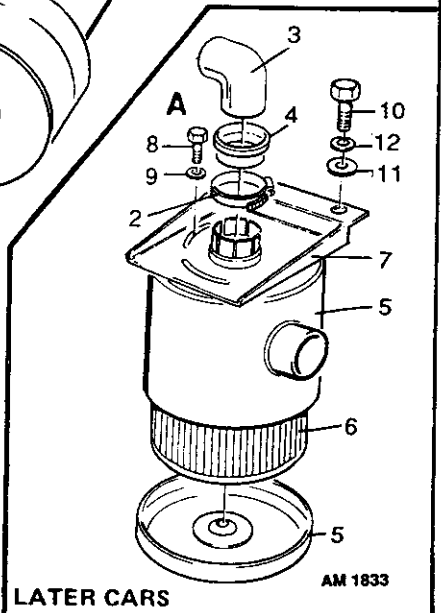
# FUEL, EMISSION CONTROL, EXHAUST

## EFI System

### Inlet Manifolds and Fuel Rails



NOTE : SEE SECTION 2.2 FOR EARLY AIR FILTER HOUSING AND FILTER ASSEMBLY







## FUEL, EMISSION CONTROL, EXHAUST

## EFI System

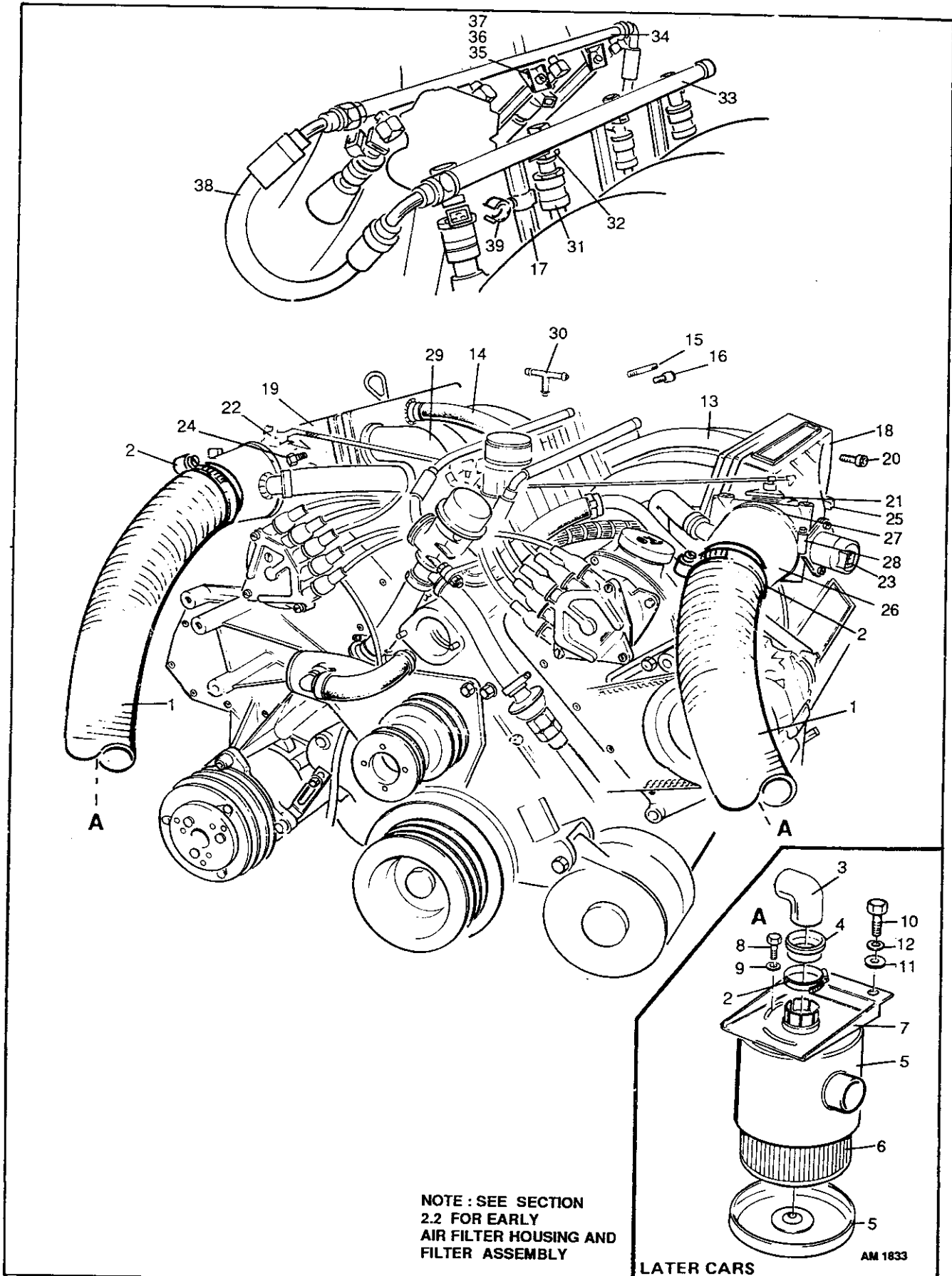
## Inlet Manifolds and Fuel Rails

Illus. No.	Part No.	Description	Qty	Remarks
1	08.24048	Air intake trunking, 21in.(540mm), or 23in. (590mm) long	2	Replaces earlier hoses, 24in.(620mm) long
2	111914	Hose clip, 2.75 to 3.5in. (70 to 90mm)	6	
3	08.21800	Air filter elbow	2	
4	08.21229	Seal	2	
5	08.21651	Air filter assembly (plastic case)	2	Later cars
6	08.25971	Air filter element (metal reinforced)	2	Replaces early, non-reinforced elements in pairs
7	08.21654	Bracket, air filter	2	
8	692088	Bolt, M6 x 16	6	} Air filter attachment to bracket
9	692046	Washer, spring, M6	6	
10	692088	Bolt, M6 x 16	4	} Bracket to cross member
11	692056	Washer, plain, M6	4	
12	692046	Washer, spring, M6	4	
-	08.21887	Air filter trumpet	2	} Swiss cars up to mid 1988
-	692465	Pop rivet, trumpet to air filter case	8	
-	08.24144	Air filter trumpet, LH	1	
-	692465	Pop rivet	4	Trumpet to air filter case
-	08.24143	Air filter elbow, 90°, LH	1	
-	693431	Loctite, elbow to air filter case	as reqd	
-	08.24080	Intake flap assembly, RH	1	
-	77.18300	Seal, 9.5in. (240mm)	1	} Flap assembly to air filter case
-	692465	Pop rivet	4	
-	89.16457	Servo motor	1	Intake flap assembly
-	692314	Nut, Nyloc, M4	2	} Servo motor to flap assembly
-	08.24081	Retaining pin	1	
-	693805	Spire clip fixer	1	
-	08.25947	Bush	1	
-	08.24048	Air intake hose, 21in. (540mm) or 23in.(590mm) long	1	
-	08.24049	Air intake hose, 28.75in. (730mm) long	1	
-	08.24050	Air intake hose, 7in. (180mm) long	2	} Early cars
-	08.24089	Tee piece, metal	1	
-	08.25997	Air intake trunking, 4.75in. (120mm) long	1	
-	08.25998	Air intake trunking, 10in. (250mm) long	1	
-	08.25681	Tee piece, GRP	1	} Later cars
-	08.21239	Bracket, intake trunking	1	
-	692088	Bolt, M6 x 16	1	} Bracket to chassis cross member
-	692046	Washer, spring, M6	1	
-	692292	Rivnut, M6	1	
-	111914	Hose clip, 2.75 to 3.5in. (70 to 90mm)	10	
-	07.14870	Vacuum switch	1	
-	692353	Bolt, M4 x 8	2	} Vacuum switch to air cleaner bracket
-	692314	Nut, Nyloc, M4	2	
13	08.22052	Inlet manifold assembly, LH	1	
14	08.22066	Inlet manifold assembly, RH	1	

# FUEL, EMISSION CONTROL, EXHAUST

## EFI System

### Inlet Manifolds and Fuel Rails





## FUEL, EMISSION CONTROL, EXHAUST

## EFI System

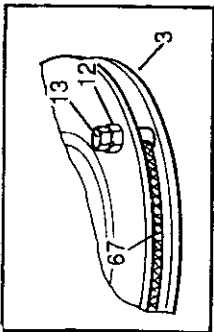
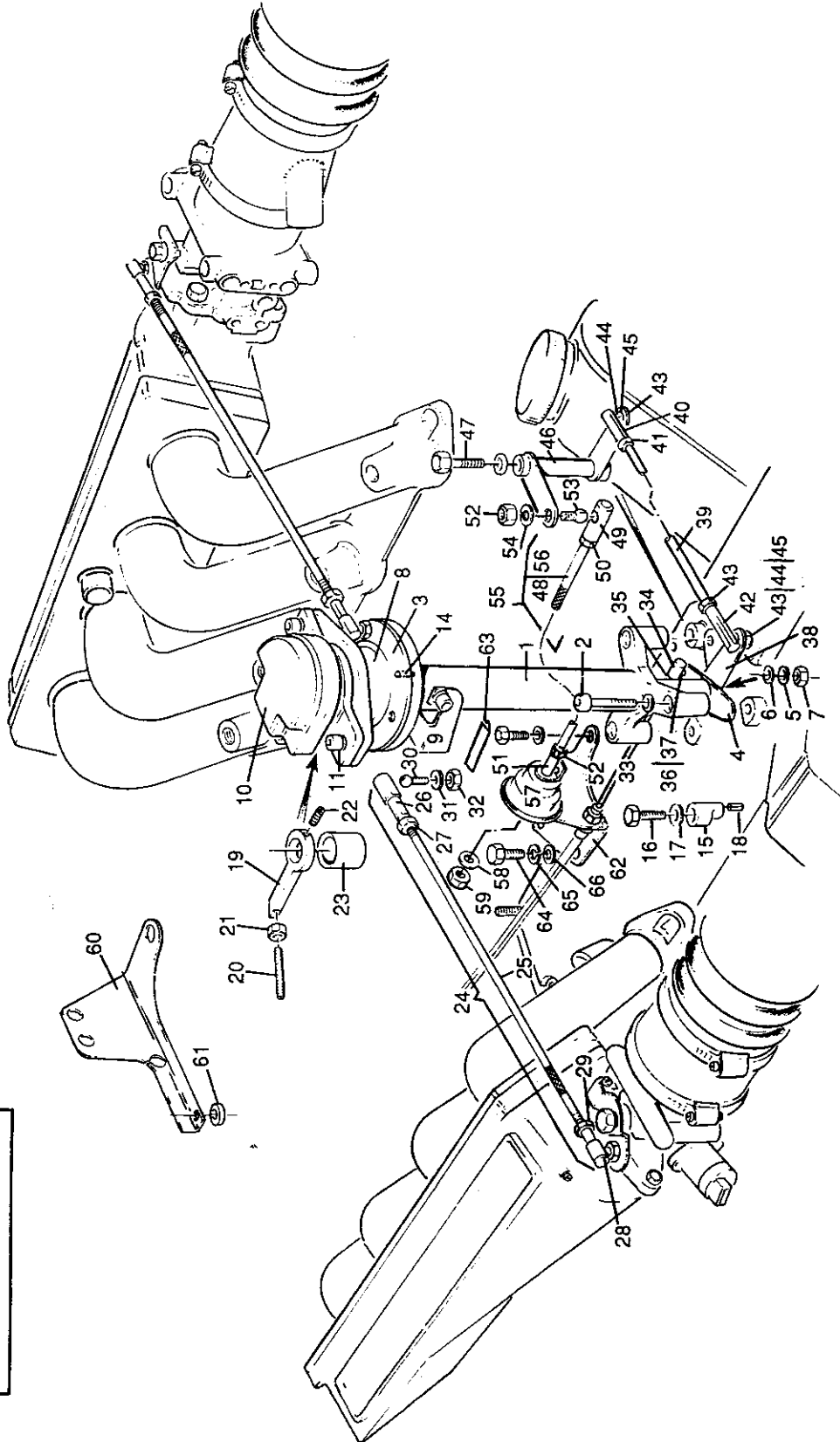
## Inlet Manifolds and Fuel Rails

Illus. No.	Part No.	Description	Qty	Remarks
-	095.007.0106	'O' ring	8	
15	123185	Stud, 1/4in. UNC/UNF x 1.35in. long	4	
16	690332	Capscrew, 1/4in. UNC x 3/4in. long	6	} Fuel rail } mounting } Inlet manifolds } to } cylinder heads
17	08.20863	Boss	6	
-	08.20864	Stud, 1/4in. UNC/UNC x 1.3in. (33mm) long	6	
-	119470	Washer, plain, 1/4in.	16	
-	123116	Nut, Nyloc, 1/4in. UNF	4	
-	123116	Nut, Nyloc, 1/4in. UNF	1	
18	08.19964	Plenum chamber, LH	1	
19	08.19965	Plenum chamber, RH	1	
20	693226	Capscrew, 10-32 UNF x 2in. (50mm) long	20	} Plenum chambers } to } inlet manifolds
-	694178	Sealer	as reqd	
-	693283	Sealer remover	as reqd	
21	08.20010	Throttle body, LH	1	
22	08.20009	Throttle body, RH	1	
23	08.20011	Idle air valve	2	
-	694031	'O' ring, large	2	
-	694030	'O' ring, small	2	
-	694178	Sealer	as reqd	} Throttle bodies } to } plenum chambers
-	693283	Sealer remover	as reqd	
24	123128	Bolt, 1/4in. UNC x 7/8in. long	8	
-	119470	Washer, plain, 1/4in.	8	
-	110943	Washer, spring, 1/4in.	8	
25	08.20003	Air temperature sensor	1	
26	08.21230	Hose adaptor	2	
27	08.21229	Seal	2	Adaptor to throttle bodies
28	111914	Hose clip, 2.75in. to 3.5in. (70mm to 90mm)	2	
29	08.21079	Choke union	2	} Absolute pressure } sensor
30	08.21067	Tee piece, 4-4-4mm	1	
-	692546	Tubing, black, 1/8in. ID	as reqd	} tubing
31	08.20006	Injector	8	
-	08.21835	'O' ring	16	
-	45.21836	Lubricating fluid, 'O' rings	as reqd	
32	08.20303	Injector retaining clip	8	
-	08.20305	Fuel rail assembly, LH	1	} Square section, } early cars
-	08.20306	Fuel rail assembly, RH	1	
33	08.22832	Fuel rail assembly, LH	1	} Round section, } later cars
34	08.22831	Fuel rail assembly, RH	1	
35	690505	Capscrew, 1/4in. UNC x 1/2in. long	6	} Fuel rail fixings
36	110943	Washer, spring, 1/4in.	6	
37	119470	Washer, plain, 1/4in.	6	
38	08.22007	Fuel rail interconnecting hose	1	Cars up to Oct 1987
-	08.24207	Fuel rail interconnecting hose	1	Cars from Oct 1987
39	37.25235	Harness clip	6	Later cars with revised harness route

FUEL, EMISSION CONTROL, EXHAUST

EFI System

Throttle Linkage



AM 1829



## FUEL, EMISSION CONTROL, EXHAUST

## EFI System

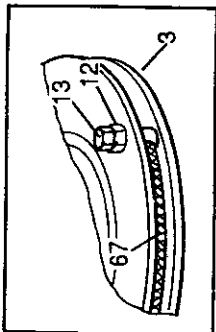
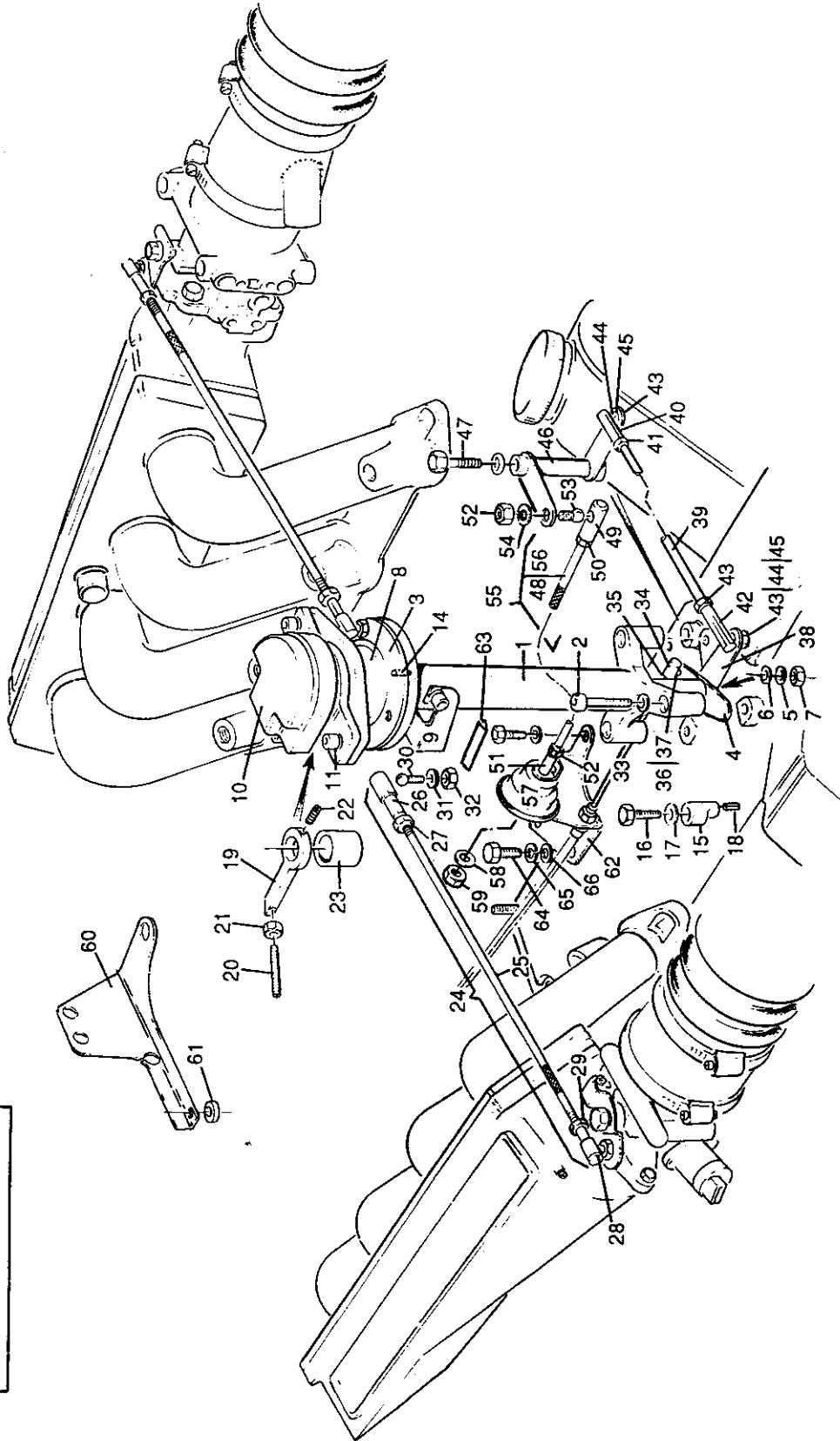
## Throttle Linkage

Illus. No.	Part No.	Description	Qty	Remarks
1	08.19960	Throttle spindle housing	1	
2	690333	Capscrew, 1/4in. UNC x 1 1/2in	3	Housing to valley plate
3	08.21498	Cable wheel and spindle assembly	1	
-	08.20465	Spacer, upper, 2mm thick	1	Cable wheel to housing, early cars
-	08.21818	Spacer, upper, 4mm thick	1	Cable wheel to housing, later cars
-	08.21036	Ball bearing	2	} Cable wheel } spindle
-	08.20876	Spacer, ball bearings	1	
-	08.20466	Spacer, lower, 10mm thick	1	} Lower throttle lever to housing } Stamped 'T'
4	08.21501	Lower throttle lever	1	
5	692047	Washer, spring, M8	1	} Lower levers to spindle
6	692057	Washer, plain, M8	1	
7	692077	Nut, plain, M8	1	
8	08.20471	Mounting, throttle potentiometer	1	
-	08.21482	Anchor bracket, throttle cable	1	Early cars
9	08.22083	Anchor bracket assembly, throttle cable	1	Later cars (threaded boss)
-	693213	Capscrew, 10-24 UNC x 2in.	2	} Mounting } to housing
-	08.21502	Ring dowel	2	
10	08.20005	Throttle potentiometer	1	
11	693219	Capscrew, 8-32 UNC x 1/2in.	2	} Potentiometer to mounting
-	119488	Washer, spring, 3/16in.	2	
-	122422	Washer, plain, 3/16in.	2	
12	032.034.0031	Trunnion	1	} Accelerator cable inner } to cable wheel
13	032.034.0032	Screw	1	
14	693384	Tension pin, 6mm long	2	Later cars
15	08.21807	Cam, throttle stop	1	} Throttle } stop cam } to valley plate
16	08.21820	Screw, M4 x 29	1	
17	692044	Washer, spring, M4	1	
18	693292	Spring pin, 26mm long	1	} Later cars. } Fitted in place } of items 15 to 18
19	08.23339	Lever, throttle stop	1	
20	693749	Grubscrew, M4 x 20	1	
21	692074	Nut, plain, M4	1	
22	693971	Grubscrew, M4 x 8	1	
23	08.23538	Spacer	1	
24	08.25989	Throttle rod assembly	2	
25	08.20483	Throttle rod	2	
26	08.21629	Rod end, 10-32 UNF, LH thread	2	
27	693231	Locknut, 10-32 UNF, LH thread	2	
28	08.21049	Rod end, 10-32UNF, RH thread	2	
29	691620	Locknut, 10-32 UNF, RH thread	2	
30	08.20874	Ball joint	2	
31	591.000.0203	Washer, spring, No. 10	2	
32	691620	Locknut, 10-32 UNF, RH thread	2	
33	-	Kickdown cable	1	See Section 3.3
34	08.21049	Rod end, 10-32 UNF, RH thread	1	} Kickdown cable } to } lower throttle } lever (item 4)
35	691620	Locking nut, 10-32 UNF, RH thread	2	
36	08.20874	Ball joint	1	
37	591.000.0203	Washer, spring, No. 10	1	

FUEL, EMISSION CONTROL, EXHAUST

EFI System

Throttle Linkage





## FUEL, EMISSION CONTROL, EXHAUST

## EFI System

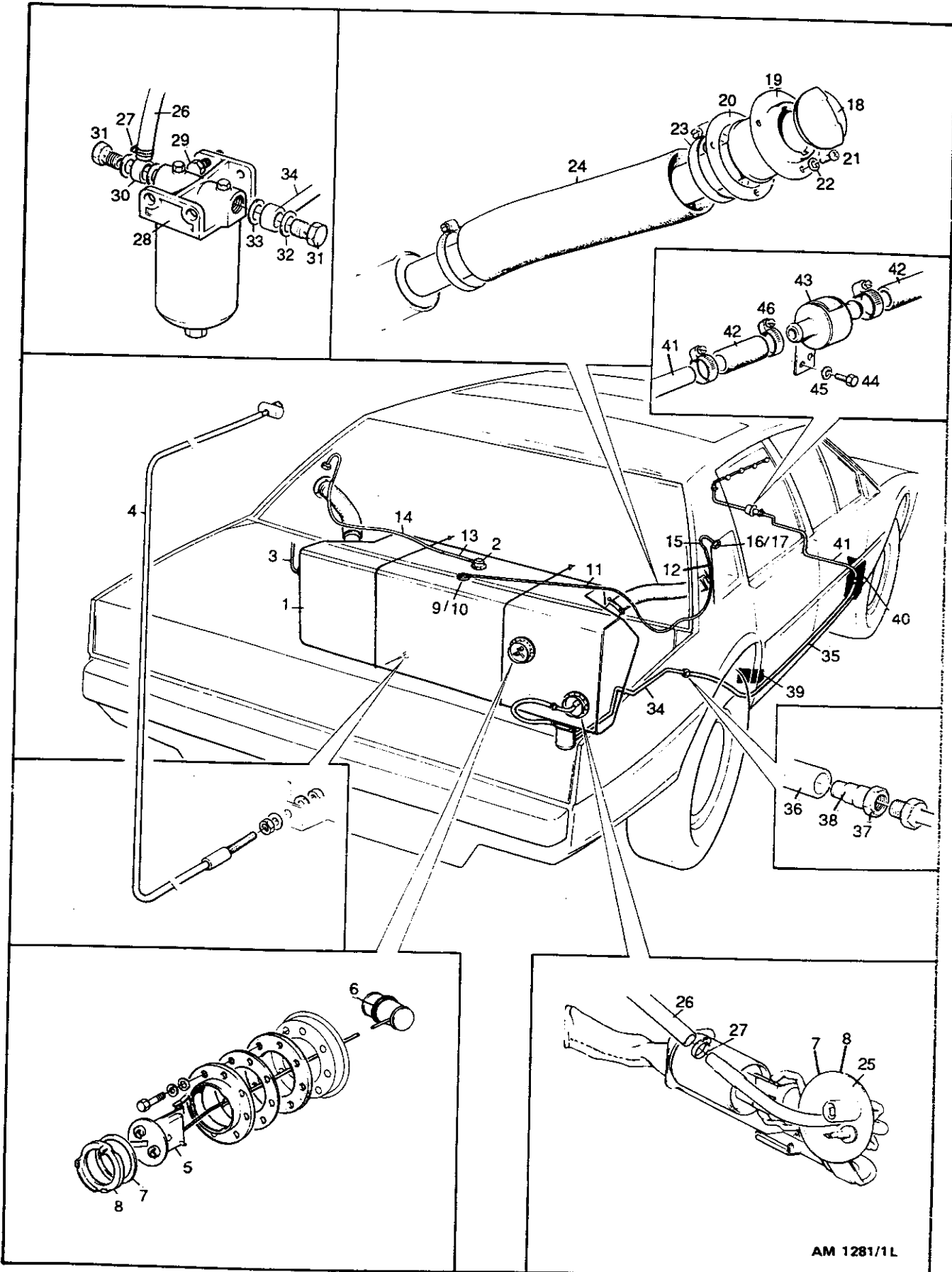
## Throttle Linkage

Illus. No.	Part No.	Description	Qty	Remarks
38	13.21040	Lower lever	1	Lower lever to housing
-	13.21039	Spacer	1	
39	13.21047	Link, short, 45mm long	1	Cruise Control
40	08.21629	Rod end, 10-32 UNF, LH thread	1	
41	693231	Locking nut, 10-32 UNF, LH thread	1	
42	08.21049	Rod end, 10-32 UNF, RH thread	1	
43	691620	Locking nut, 10-32 UNF, RH thread	3	
44	08.20874	Ball joint	2	
45	591.000.0203	Washer, spring, No. 10	2	
46	13.21044	Shaft assembly	1	
47	13.21045	Bolt	1	
48	13.21048	Link, long, 107mm	1	
49	08.21629	Rod end, 10-32 UNF, LH thread	1	
50	693231	Locking nut, 10-32 UNF, LH thread	1	
51	08.21049	Rod end, 10-32 UNF, RH thread	1	
52	691620	Locking nut, 10-32 UNF, RH thread	2	
53	08.20874	Ball joint	1	
54	591.000.0203	Washer, spring, No. 10	1	
55	13.25538	Link and rod ends assembly	1	
56	13.25381	Link, long, 93mm long	1	
-	13.25760	Ball joint assembly, LH	1	
-	693231	Locking nut, 10-32 UNF, LH	1	
-	13.25761	Rod end, M5, RH	1	
-	692075	Locking nut, M5, RH	1	
57	37.21594	Throttle actuator (rubber at link end)	1	
-	08.25387	Throttle actuator (plastic body-rubber at link end)	1	
58	692046	Washer, spring, M8	1	Actuator to bracket
59	692077	Nut, plain, M8	1	
60	08.21158	Cable abutment bracket	1	Early cars
61	08.21164	Spacer	1	
-	510409	Bolt, 1/4in. UNC x 1 1/8in. long	1	
-	123129	Bolt, 1/4in. UNC x 3/4in. long	1	
-	110943	Washer, spring, 1/4in.	2	
-	119470	Washer, plain, 1/4in.	2	
62	08.23463	Cable abutment bracket	1	
63	77.14017	Bracket edge protector	as reqd	Later cars
64	123128	Bolt, 1/4in. UNC x 7/8in. long	3	
65	110943	Washer, spring, 1/4in.	3	
66	119470	Washer, plain, 1/4in.	3	
67	-	Throttle cable assembly	1	

# FUEL, EMISSION CONTROL, EXHAUST

## The Fuel System

### Early Carburettor Cars







# FUEL, EMISSION CONTROL, EXHAUST

## The Fuel System

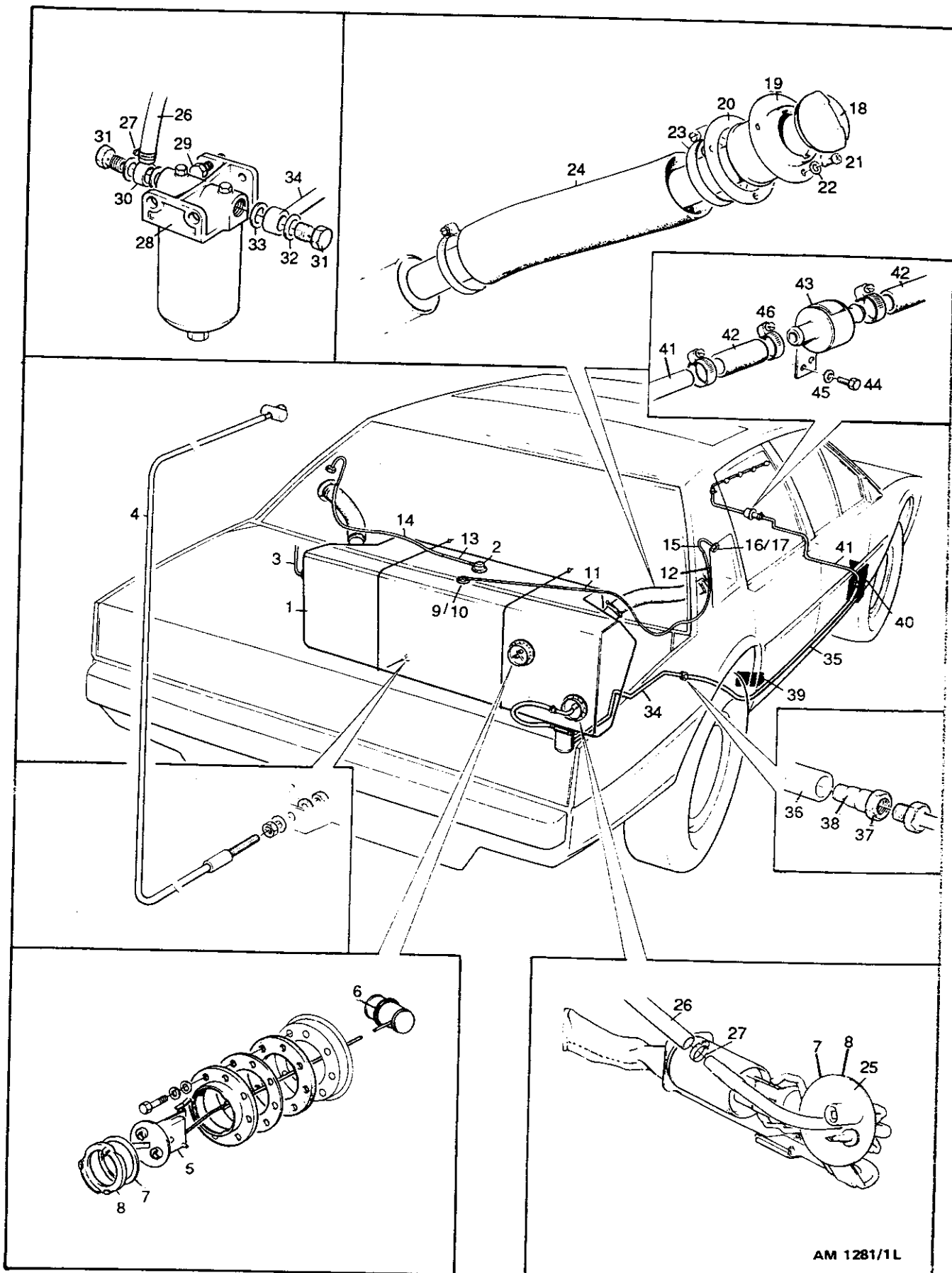
### Early Carburettor Cars

Illus. No.	Part No.	Description	Qty	Remarks
1	34.10519	Fuel tank assembly	1	
2	090.034.0002	Pressure/vacuum relief valve assembly	1	
-	090.034.0102	Gasket	1	
-	691611	Jointing compound, Golden Hermetite	as reqd	
-	090.034.0120	Ring stiffener	2	
3	055.034.0138	Fuel tank earthing strap	1	Early cars, bare wire
-	095.037.0023	Fuel tank earthing strap	1	Later cars, covered wire
4	34.11002	Fuel tank cable, 32 1/4in. long	2	Early cars
-	34.17080	Fuel tank cable, 25 1/2in. or 24 1/2in. long	2	Later cars
5	34.13861	Sender unit	1	
6	692513	Anti-knock ring	2	
7	069.034.0111	Sealing ring	2	} Sender unit and fuel pump to tank
8	069.034.0110	Locking ring	2	
9	095.034.0124	Roll-over valve	1	
10	095.034.0125	Rubber seal	1	
11	692235	Tubing, Nylaflex, white, 0.187in. ID	4ft	
12	030.008.0058	Tubing, clear, 1/4in. ID	2in.	
13	691624	Tubing, black, 0.312in. ID	6in.	
14	692105	Tubing, Nylaflex, black, 0.242in. ID	4ft	
15	34.16853	Pipe assembly	2	
16	692312	Locknut	2	
17	691905	Washer	2	
18	097.068.0020	Filler cap	2	
-	68.16936	Filler cap/neck assembly	2	} Belgian cars } Cars up to Chassis No. 13132, approx.
19	68.13387	Filler neck assembly	2	
20	68.16322	Flange	2	
-	68.17261	Filler neck assembly, LH	1	} Belgian cars }
-	68.18405	Filler neck assembly, LH, with cap	1	
-	68.17262	Filler neck assembly, RH	1	} Belgian cars } Cars from Chassis No. 13133, approx.
-	68.18404	Filler neck assembly, RH, with cap	1	
-	68.17269	Neck securing ring	2	
-	692673	Neck breather hose	3ft	
-	692674	Hose clip	4	
-	692210	Screw, M4 x 12	6	} Early cars }
-	692054	Washer, plain, M4	6	
-	692314	Nut, Nyloc, M4	6	} Later cars }
21	692242	Screw, M5 x 12	6	
22	692055	Washer, plain, M5	6	
23	692000	Hose clip, 40 - 60mm	4	
24	692741	Hose	2 1/2ft	
25	34.16140	Fuel pump assembly	1	
26	691489	Hose, rubber, 3/8in. ID	2ft	Fuel pump to filter
27	692634	Hose clip, 12 - 22mm	2	
-	691612	Sealant	as reqd	
28	095.034.0009	Fuel filter assembly	1	
-	095.034.0700	Fuel filter element kit	1	
-	34.17717	Filter bowl	1	
29	692087	Set screw, M8 x 20	2	} Filter fixings }
-	692047	Washer, spring, M8	2	
-	692057	Washer, plain, M8	2	
30	690440	Banjo fitting	2	
31	690446	Banjo bolt, 3/8in. BSP	2	
32	690625	Washer, copper	2	
33	692010	Washer, copper	2	

# FUEL, EMISSION CONTROL, EXHAUST

## The Fuel System

### Early Carburettor Cars



AM 1281/1L



FUEL, EMISSION CONTROL, EXHAUST

The Fuel System

Early Carburettor Cars

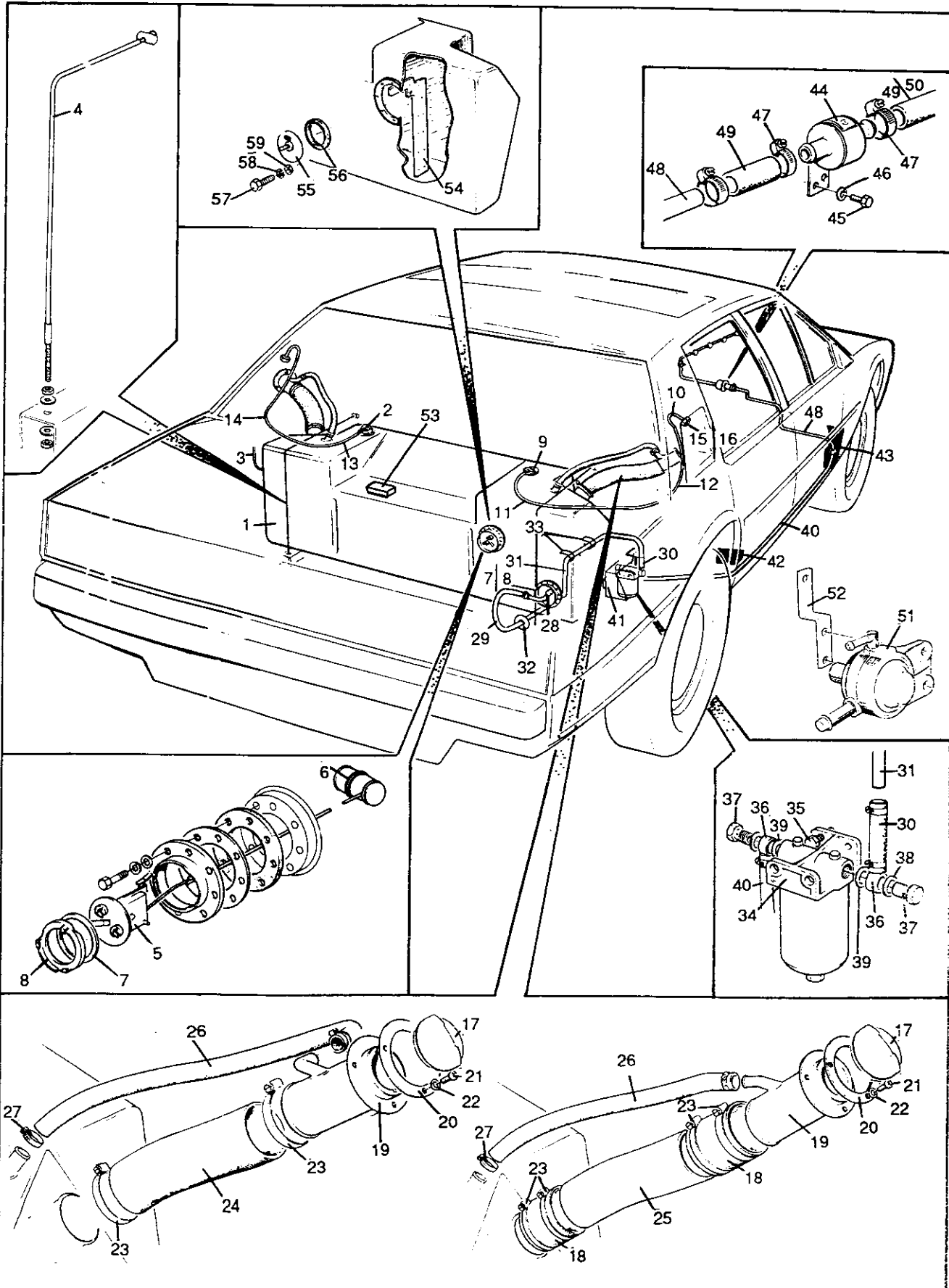
Illus. No.	Part No.	Description	Qty	Remarks
34	34.11127	Pipe assembly	1	Over rear axle from filter
-	692209	'P' clip, Nylon, 3/8in.	1	
35	34.11608	Main fuel line assembly	1	Main fuel line protection
-	069.089.0617	Sleeve, Nylon, 7/8in. OD, 14in. long	2	
36	690444	Hose, 1/2in. OD, 10ft long	1	
37	691878	Nut, 3/8in. BSP	2	
38	080.034.0119	Nipple, 3/8in. tube	2	
-	692208	'P' clip, 1/2in. nylon	14	
-	627.000.0609	Screw, No. 6	15	
-	692054	Washer, plain, M4	15	
-	692211	Locknut	15	
-	691138	'P' clip, 7/8in.	1	
-	692234	Grommet	1	Main fuel line protection
-	635.000.0220	Blanking plug, 1 1/4in. dia.	1	
39	21.16802	Fuel line chassis protector	1	Main fuel line protection
40	88.15084	Stone guard	1	
41	34.16335	Fuel pipe assembly to carburettors	1	
-	34.11161	Fuel pipe assembly to carburettors	1	Replace with later black switch and fixings
-	-	Fuel pump inertia cut-off switch, red	1	
-	37.16851	Fuel pump inertia cut-off switch, black	1	To Chassis No. 13078 (approx)
-	37.18032	Switch bracket		
-	692637	Harness plug	1	From Chassis No. 13079 (approx)
-	692638	Terminal		
42	691489	Hose, fuel, rubber, 3/8in. ID, 18in. long	1	From Chassis No. 13079, (approx.)
43	34.15853	Fuel cut-off valve	1	
44	616.000.0308	Screw	2	
45	590.000.0603	Washer	2	
-	691323	Rivnut	2	
46	692613	Gear clamp, 8 - 16mm	4	

} Fixed to bulk-head

# FUEL, EMISSION CONTROL, EXHAUST

## The Fuel System

### Later and Emission Control Carburettor Cars





# FUEL, EMISSION CONTROL, EXHAUST

## The Fuel System

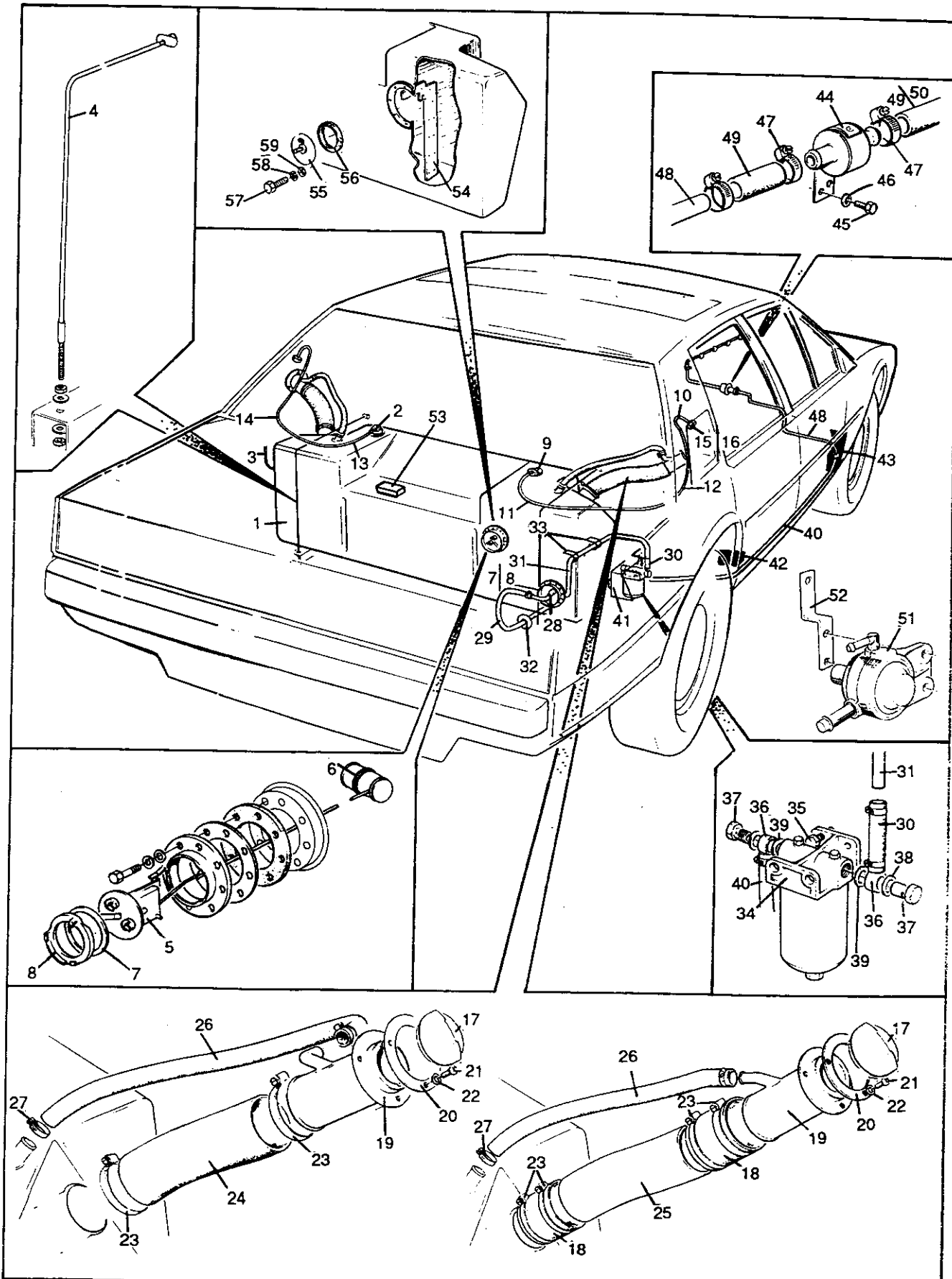
### Later and Emission Control Carburettor Cars

Illus. No.	Part No.	Description	Qty	Remarks
1	34.20909	Fuel tank assembly (complete with 2 fixing rings for sender and pump)	1	
-	34.20908	Fuel tank assembly (complete with fixing ring for pump and boss for transmitter)	1	Cars with 3-screen instrumentation.
2	090.034.0002	Pressure/vacuum relief valve assembly	1	
-	090.034.0102	Gasket	1	
-	691611	Jointing compound, Golden Hermetite	as reqd	
-	090.034.0120	Ring stiffener	2	
3	055.034.0138	Fuel tank earthing strap	1	Early cars, bare wire
-	095.037.0023	Fuel tank earthing strap	1	Later cars, covered wire
-	37.21293	Fuel tank earthing strap	1	Later cars, covered wire
4	34.17080	Fuel tank cable, 25 1/2in. or 24 1/2in. long	2	
5	34.17418	Sender unit	1	} Not cars with
6	692513	Anti-knock ring	2	
7	069.034.0111	Sealing ring	2	} Sender and fuel pump to tank.
8	069.034.0110	Locking ring	2	
9	095.034.0124	Roll-over valve	1	
-	095.034.0125	Rubber seal	1	
10	34.16853	Pipe assembly	2	
11	692235	Tubing, Nylaflex, white, 0.187in. ID	4ft	
12	030.008.0058	Tubing, clear, 1/4in. ID	2in.	
13	691624	Tubing, black, 0.312in. ID	6in.	
14	692105	Tubing, Nylaflex, black, 0.242in. ID	4ft	
15	692312	Locknut	2	
16	691905	Washer	2	
17	097.068.0020	Filler cap	2	
-	68.16936	Filler neck and cap assembly	2	} Belgian cars } Cars up to Chassis No. 13132, approx.
-	68.13387	Filler neck assembly	2	
-	68.16322	Flange	2	
18	68.17818	Hose	4	Early cars
-	68.17261	Filler neck assembly, LH	1	} Belgian cars } Cars from Chassis Nos 13133 approx to 13539 approx
19	68.17262	Filler neck assembly, RH	1	
-	68.18405	Filler neck and cap assembly, LH	1	
-	68.18404	Filler neck and cap assembly, RH	1	
-	68.18063	Filler neck and cap assembly, LH	1	
-	68.18062	Filler neck and cap assembly, RH	1	} USA and Canadian emission control cars
20	68.17269	Neck securing ring	2	
-	692210	Screw, M4 x12	6	} Early cars
-	692054	Washer, plain, M4	6	
-	692314	Nut, Nyloc, M4	6	
21	692242	Screw, M5 x 12	6	} Later cars
22	692055	Washer, plain, M5	6	
23	692000	Hose clip, 40 - 60mm	8	4 on later cars
24	692741	Hose, 11in. long	2	Later cars and USA cars
25	68.17811	Connecting pipe	2	Early cars
26	692673	Neck breather hose	3ft	
27	692674	Hose clip, 20 - 32mm	4	

# FUEL, EMISSION CONTROL, EXHAUST

## The Fuel System

### Later and Emission Control Carburettor Cars





# FUEL, EMISSION CONTROL, EXHAUST

## The Fuel System

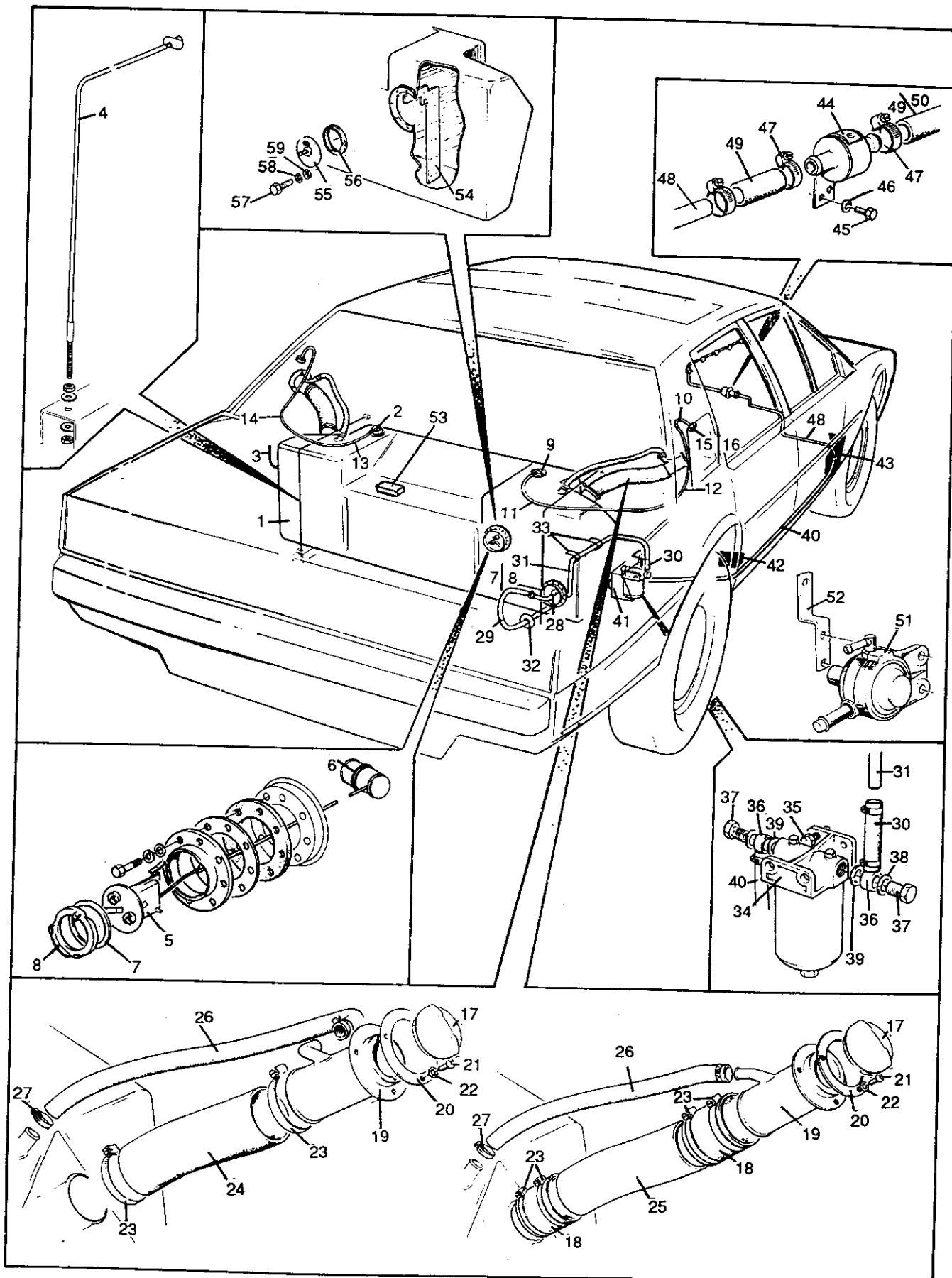
### Later and Emission Control Carburettor Cars

Illus. No.	Part No.	Description	Qty	Remarks
28	34.16140	Fuel pump assembly	1	Fuel pump } to pipe } Cars from Chassis Pipe to } No. 13218 fuel filter }
29	691489	Hose, rubber, 3/8in. ID, 300mm long	1	
30	691489	Hose, rubber, 3/8in. ID, 102mm long	1	
-	691489	Hose, rubber, 3/8in. ID, 610mm long	1	
-	110883	Hose clip	4	2 off up to Chassis No. 13217
31	34.17832	Fuel pipe	1	Over axle to fuel filter. Cars from Chassis No. 13218
-	34.11127	Fuel pipe	1	Over axle from filter. Cars up to Chassis No. 13217
32	692665	Grommet	1	} Cars from } Chassis No. 13218
33	692209	'P' clip, nylon, 3/8in.	2	
-	691612	Sealant	as reqd	
34	095.034.0009	Fuel filter assembly	1	
-	095.034.0700	Fuel filter element kit	1	
-	34.17717	Filter bowl	1	
35	692087	Setscrew, M8 x 20	2	
-	692047	Washer, spring, M8	2	
-	692057	Washer, plain, M8	2	
36	690440	Banjo fitting	2	1 off up to Chassis No. 13217
37	690446	Banjo bolt, 3/8in. BSP	2	
38	690625	Washer, copper, outer	2	
39	692010	Washer, copper, inner	2	
40	34.18206	Main fuel line	1	Cars from Chassis No. 13218
-	34.11608	Main fuel line	1	Cars up to Chassis No. 13217
-	690444	Hose, 1/2in. OD, 10ft long	1	
-	691878	Nut, 3/8in. BSP	2	} One only from } Chassis No. 13218
-	080.034.0119	Nipple, 3/8in. tube	2	
-	690440	Banjo union	1	From Chassis No. 13218
-	069.089.0617	Sleeve, Nylon, 7/8in. OD x 14in. long	2	Main fuel line protection
-	692208	'P' clip, nylon, 1/2in.	14	
-	627.000.0609	Screw, No. 6	15	
-	692054	Washer, plain, M4	15	
-	692211	Locknut	15	
-	691138	'P' clip, 7/8in.	1	
-	692234	Grommet	1	
-	635.000.0220	Blanking plug, 1 1/4in. dia	1	
41	86.18633	Heat shield, fuel filter	1	} Heatshield } to bulkhead } Later } Heatshield } cars to } fuel filter }
-	692005	Screw, M5 x 16	1	
-	692045	Washer, spring, M5	1	
-	692129	Screw, M8 x 25	2	
-	692057	Washer, plain, M8	4	
-	692135	Nut, Nyloc, M8	2	
42	21.16802	Fuel line chassis protector	1	
43	88.15084	Stoneguard	1	
44	34.15853	Fuel cut-off valve	1	
45	616.000.0308	Screw	2	} Cars from } Chassis No. 13079, approx.
46	590.000.0603	Washer	2	
-	691323	Rivnut	2	
47	692613	Hose clip, 8 - 16mm	4	
48	34.16335	Fuel pipe assembly	1	

# FUEL, EMISSION CONTROL, EXHAUST

## The Fuel System

### Later and Emission Control Carburettor Cars







# FUEL, EMISSION CONTROL, EXHAUST

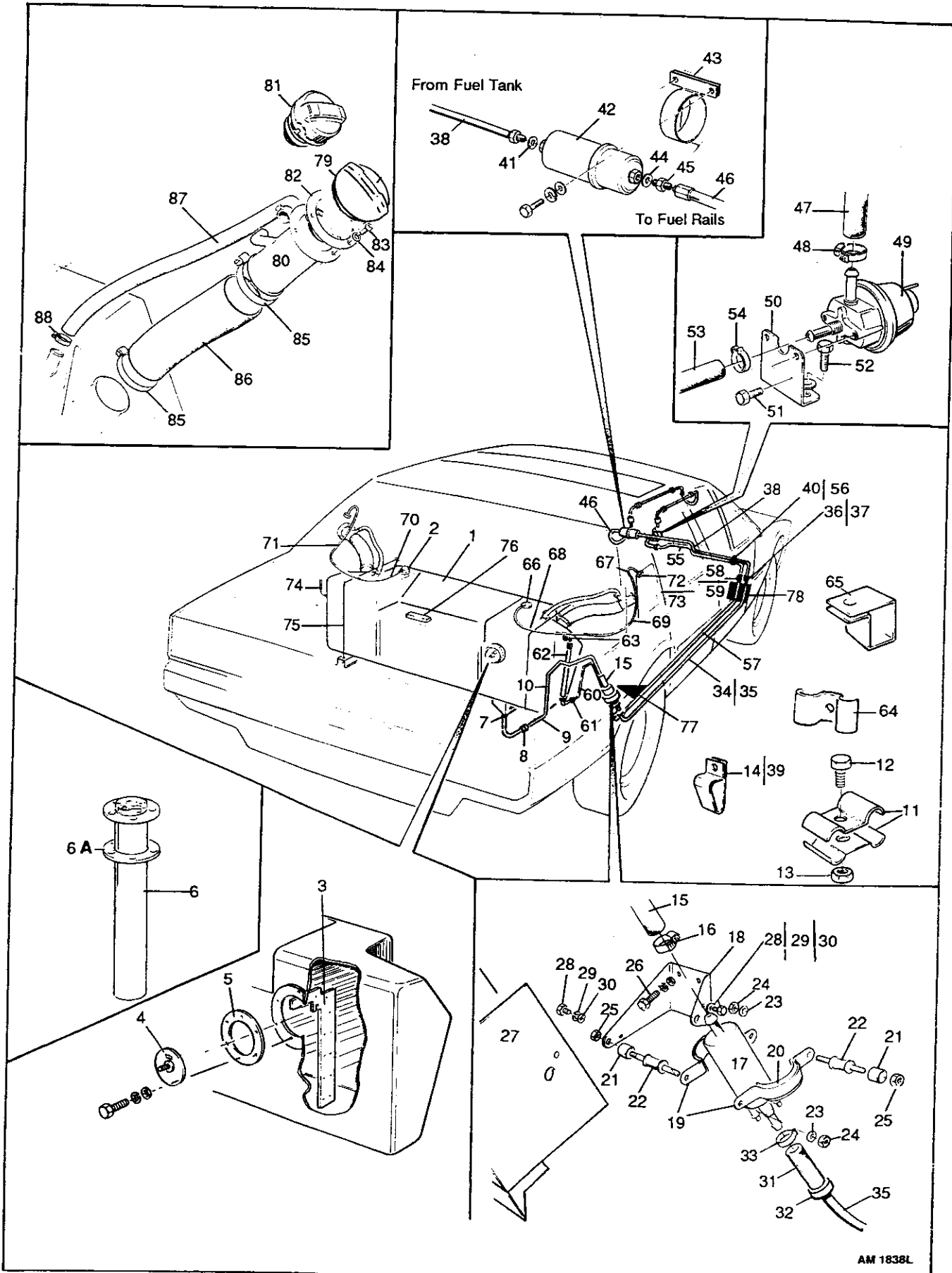
## The Fuel System

### Later and Emission Control Carburettor Cars

Illus. No.	Part No.	Description	Qty	Remarks	
-	34.11161	Fuel pipe assembly to carburettor	1	Replace with later black switch and fixings	
-	-	Fuel pump inertia cut-off switch, red	1		
-	37.16851	Fuel pump inertia cut-off switch, black	1	Cars from Chassis No. 13079, approx.	
-	37.18032	Switch bracket	1		
-	692637	Harness plug	1		
-	692638	Terminal	2		
49	691489	Fuel hose, rubber, 3/8in. ID, 18in. long	1	Later cars with pressure regulator	
50	691490	Fuel hose, rubber, 5/16in. ID, 15in. long	1		
-	080.034.0119	Nipple, 3/8in. tube	1	USA cars, air box base	
-	34.19665	Nipple, 5/16in. tube	1		
-	691878	Nut, 3/8in. BSP	1		
-	692760	Fuel connection, swivel, 3/8in. BSP	1		
-	08.14435	Fuel union through air box base	1		
-	022.033.0202	Washer, copper	1		
-	692104	Nut, 3/8in. BSP	1		
-	692010	Washer, sealing	1		
51	34.19651	Fuel pressure regulator	1		Regulator to bulkhead
-	34.19652	Distance tube	2		
-	692828	Bolt, M6 x 55	2		
-	692056	Washer, plain, M6	2		
-	692046	Washer, spring, M6	2		
-	692613	Hose clip, 8 - 16mm	2	Cars from Chassis No. 13372 approx. plus Chassis No. 13370	
52	34.20754	Bracket	1		
53	38.20034	Fuel level transmitter module	1	Regulator fixing, early cars	
54	38.20035	Fuel level transmitter	1		
55	34.20626	Mounting plate assembly - Fuel level transmitter	1	Mounting plate to fuel tank	
56	34.14635	Gasket	1		
57	692210	Screw, M4 x 12	9		
58	692044	Washer, spring, M4	9		
59	692054	Washer, plain, M4	9		
				Cars with 3-screen instrumentation	

# FUEL, EMISSION CONTROL & EXHAUST

The Fuel System  
EFI Cars to 1988





# FUEL, EMISSION CONTROL, EXHAUST

## The Fuel System

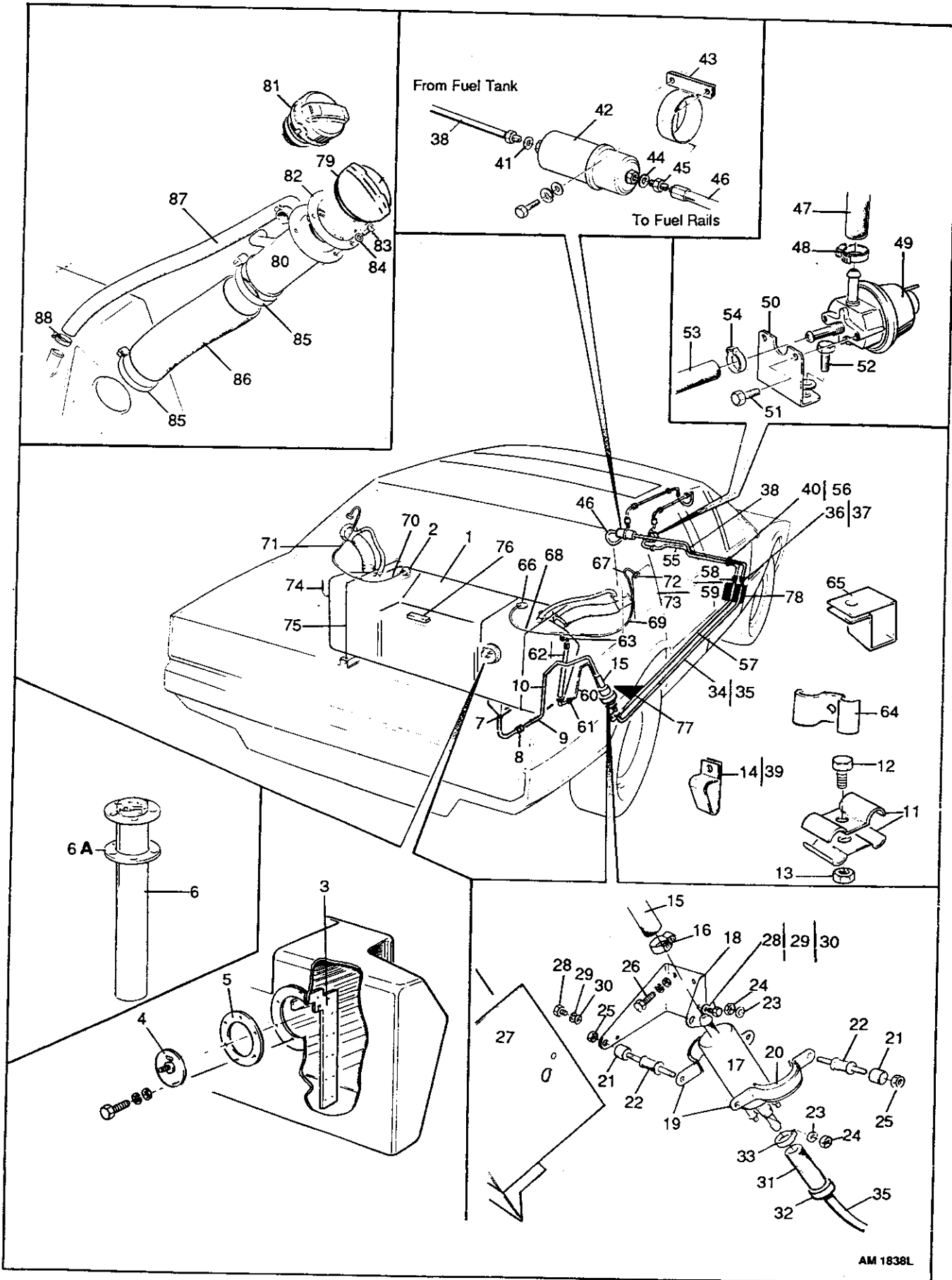
### EFI Cars to 1988

Illus. No.	Part No.	Description	Qty	Remarks
1	34.26331	Fuel tank assembly	1	Cars with 3-screen instrumentation
-	34.22513	Fuel tank assembly	1	Cars with vacuum-flourescent instrumentation
2	090.034.0002	Pressure/vacuum relief valve assembly	1	
-	090.034.0102	Gasket	1	
-	691611	Jointing compound, Golden Hermetite	as reqd	
-	090.034.0120	Ring stiffener	2	
-	616.000.0308	Screw, No. 10 x 1/2in. long	6	
-	591.000.0203	Washer, spring, No. 10	6	
3	38.20035	Fuel level transmitter	1	
4	34.20626	Mounting plate assembly - Fuel level transmitter	1	} Cars with 3-screen instrumentation
5	34.14635	Gasket	1	
-	692210	Screw, M4 x 12	9	
-	692054	Washer, plain, M4	9	} Mounting plate to fuel tank
-	692044	Washer, spring, M4	9	
6	37.21875	Fuel level transmitter	1	
6A	37.21876	Gasket and plate assembly	1	} Cars with vacuum flourescent instrumentation
-	692215	Screw, M5 x 20	5	
-	692045	Washer, spring, M5	5	
-	692055	Washer, plain, M5	5	
7	34.21890	Fuel pick-up assembly	1	
-	34.19393	Pick-up filter	1	
-	693303	Screw, 10-24 UNC x 5/8in. long	8	} Pick-up assembly to fuel tank
-	591.000.0203	Washer, spring, No. 10	8	
-	691611	Jointing compound, Golden Hermetite	as reqd	
8	34.22003	Fuel hose assembly	1	Fuel pick-up to over axle pipe
9	692665	Grommet	1	
10	34.21894	Fuel pipe assembly (feed)	1	Over axle
11	020.030.0156	Pipe clamp bracket	2	
12	691480	Screw, 2BA x 3/8in. long	2	} Over axle fuel pipe support
13	122315	Nut, Nyloc, 2BA	2	
14	34.21899	'P' clip	2	
-	693103	Stud, self-clinch, M5 x 20	2	
-	692045	Washer, spring, M5	2	
-	692075	Nut, plain, M5	2	
15	34.22004	Fuel hose	1	Pipe to fuel pump
16	114679	Hose clip, 16 - 25mm	2	
17	34.20007	Fuel pump, spade-type electrical terminals	1	Up to Nov. 1987
-	34.25868	Fuel pump, threaded electrical terminals	1	From Nov. 1987
-	692074	Nut, plain, M4	1	} Required to modify harness when fitting new fuel pump in place of early type
-	692064	Washer, shakeproof, M4	1	
-	692075	Nut, plain, M5	1	
-	692065	Washer, shakeproof, M5	1	
-	694004	Terminal, M4	1	
-	020.037.0237	Terminal eyelet	1	} Electrical fittings for Fuel Pump Part. No. 34.25868
18	34.22230	Mounting bracket	1	

# FUEL, EMISSION CONTROL & EXHAUST



## The Fuel System EFI Cars to 1988





# FUEL, EMISSION CONTROL, EXHAUST

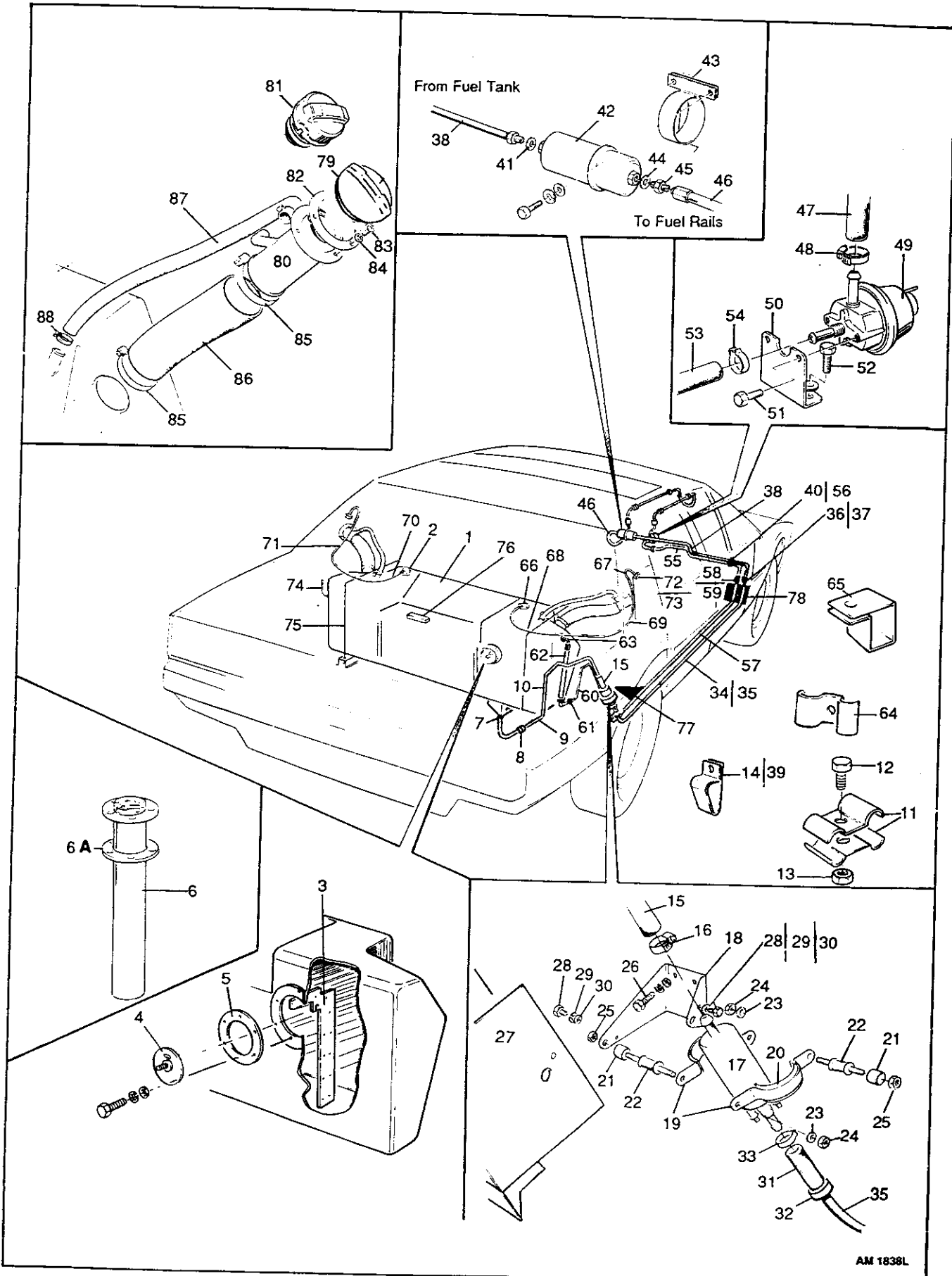
## The Fuel System

### EFI Cars to 1988

Illus. No.	Part No.	Description	Qty	Remarks	
19	34.21221	Mounting strap	2	Fuel pump } surround } Fuel pump to mounting bracket	
20	693068	Rubber	7in.		
21	34.21223	Spacer	2		
22	692599	Rubber mounting	2		
23	692057	Washer, plain, M8	2		
24	692135	Nut, Nyloc, M8	2		
25	693239	Nut, Nyloc, thin, M8	2		
26	692087	Screw, M8 x 20	2		
-	692047	Washer, spring, M8	2		} Mounting bracket to chassis
-	692057	Washer, plain, M8	2		
27	86.21792	Fuel pump heatshield	1	} Heatshield to mounting bracket	
28	692090	Screw, M5 x 12	2		
29	692045	Washer, spring, M5	2		
30	692055	Washer, plain, M5	2		
31	34.22005	Fuel hose	1	Pump to connector	
32	34.21172	Connector, reducing, 10 to 8mm	1		
33	692613	Hose clip, 8 -816mm	2		
34	-	Main fuel line	1		
35	690444	Fuel tubing (feed) 1/2in. OD	8ft		
36	691878	Nut, 3/8in. BSP	1		
37	080.034.0119	Nipple, 3/8in. tube	1		
-	691951	Tube	as reqd	Bend protection	
38	34.21566	Fuel pipe, forward	1	} Forward fuel pipe attachment	
39	34.21899	'P' clip	1		
-	691480	Screw, 2BA x 3/8in. long	1		
-	119488	Washer, spring, 3/16in.	1		
-	119496	Washer, plain, 3/16in.	1		
-	111109	Nut, plain, 2BA	1		
40	692665	Grommet, 1in. panel hole	1	Early cars	
-	693349	Grommet, 1 3/4in. panel hole	1	Later cars	
41	691534	Washer, copper	1		
42	34.20882	Fuel filter	1		
43	34.20860	Filter mounting bracket	1		
-	693068	Rubber	7in.	Filter surround	
-	692215	Screw, M5 x 20	2	} Filter mounting to bulkhead	
-	692055	Washer, plain, M5	2		
-	692045	Washer, spring, M5	2		
44	693356	Washer, copper	1		
45	34.21902	Adaptor, M12 to 9/16in. UNF	1		
46	34.22323	Hose assembly	1	Fuel filter to fuel rail	
47	08.22008	Hose assembly	1	Up to Oct 1987 } Fuel rail to pressure regulator	
-	08.24208	Hose assembly	1	From Oct 1987 }	
48	114679	Hose clip, 16 - 25mm	1		
49	08.21023	Pressure regulator	1		
50	08.20873	Mounting bracket	1	} Pressure regulator to mounting bracket	
51	693220	Screw, M6 x 12	2		
-	692046	Washer, spring, M6	2		
-	692056	Washer, plain, M6	2	} Mounting bracket to valley plate	
52	690050	Screw, 1/4in. UNC x 3/4in. long	2		
-	110943	Washer, spring, 1/4in.	2		
-	119470	Washer, plain, 1/4in.	2		

# FUEL, EMISSION CONTROL & EXHAUST

The Fuel System  
EFI Cars to 1988



AM 1838L

TP 5079-0489-150



# FUEL, EMISSION CONTROL, EXHAUST

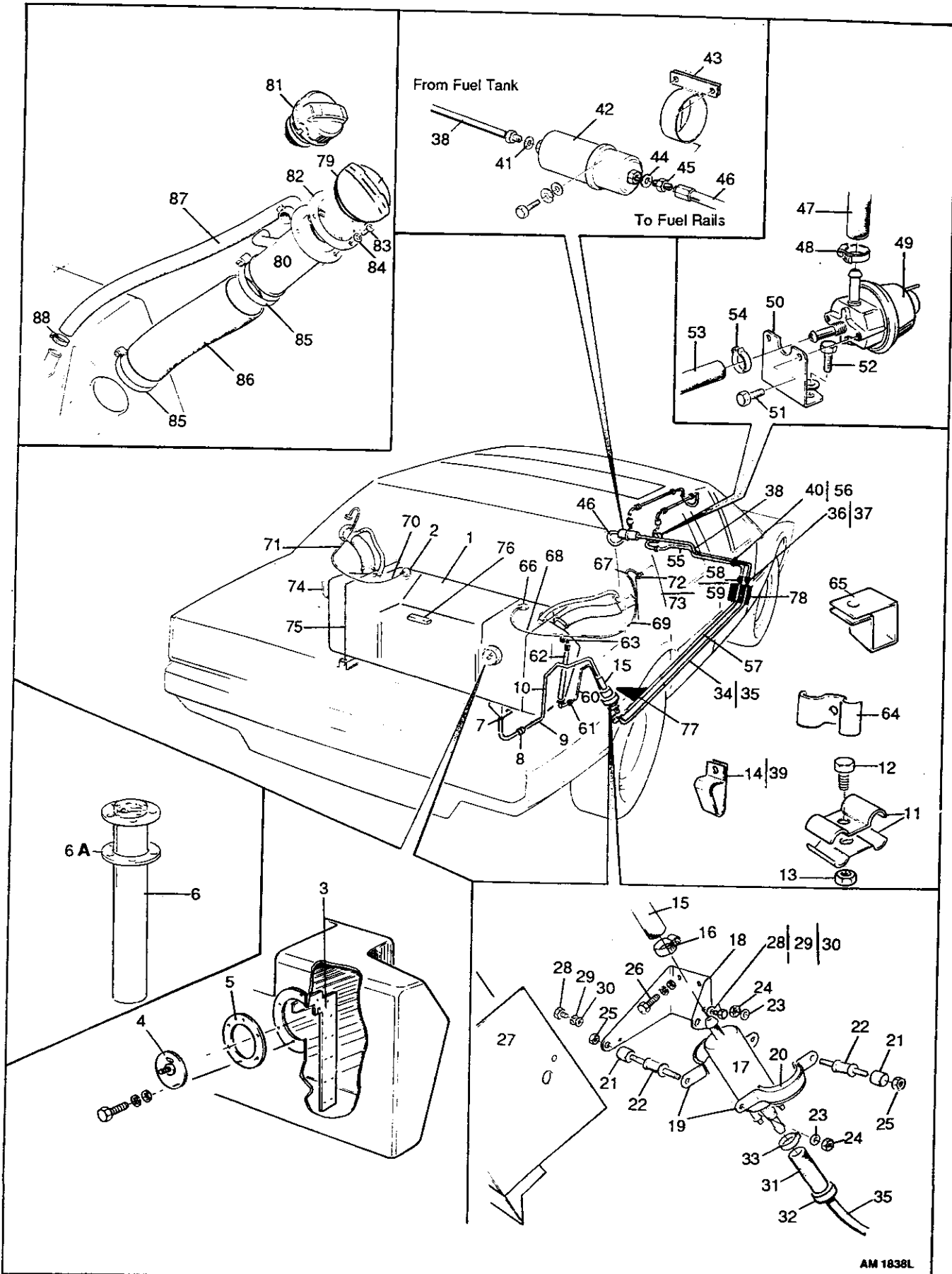
## The Fuel System

### EFI Cars to 1988

Illus. No.	Part No.	Description	Qty	Remarks
53	34.22009	Hose	1	Early cars Pressure regulator
-	34.22013	Hose assembly	1	Later cars to return pipe
54	114679	Hose clip, 16 - 25m	1	2 on early cars
55	34.21177	Fuel return pipe	1	
56	693065	Grommet, 1in. panel hole	1	
57	691493	Fuel tubing, return	9ft	
58	690431	Nut, 1/4in. BSP	2	
59	690430	Nipple	2	
-	693732	Tube, 1/2in. ID x 3/4in. OD	as reqd	} Bend protection } Over axle
60	34.21897	Fuel pipe assembly-return	1	
61	693065	Grommet	1	
62	34.22010	Hose assembly-return	1	
63	693304	Union, 1/4in. BSP - 9/16in. UNF	1	
-	020.037.0188	'P' clip	1	} Hose assembly return securing
64	080.034.0111	Fixing clip, fuel lines	11	
65	34.21898	'P' clip, fuel lines	1	
-	692211	Locknut	10	
-	628.000.0604	Screw, self-tapping, No. 6 x 1/2in. long	10	
-	691480	Screw, 2BA x 3/8in. long	2	} Clips attachment to chassis
-	119488	Washer, spring, 3/16in.	2	
-	119496	Washer, plain, 3/16in.	2	
66	095.034.0124	Roll-over valve	1	
-	095.034.0125	Rubber seal	1	
67	34.16853	Pipe assembly	2	
68	692235	Tubing, Nylaflex, white, 0.187in. ID	4ft	
69	030.008.0058	Tubing, clear, 1/4in. ID	2in.	
70	691624	Tubing, black, 0.312in. ID	6in.	
71	692105	Tubing, Nylaflex, black. 0.242in. ID	4ft	
72	692312	Locknut	2	
73	691905	Washer	2	
74	37.21293	Fuel tank earthing strap	1	Covered wire
75	34.17080	Fuel tank cable, 25 1/2in. or 24 1/2in. long	2	
76	38.20034	Fuel level transmitter module	1	Cars with 3-screen instrumentation
77	21.16802	Fuel line chassis protector	1	
78	88.15084	Stoneguard	1	
79	097.068.0020	Filler cap, twist off/on type	2	
-	68.17261	Filler neck assembly, LH	1	} Belgian cars } USA and Canadian emission control cars
80	68.17262	Filler neck assembly, RH	1	
-	68.18405	Filler neck and cap assembly, LH	1	
-	68.18404	Filler neck and cap assembly, RH	1	
-	68.18063	Filler neck and cap assembly, LH	1	
-	68.18062	Filler neck and cap assembly, RH	1	} Cars to Chassis No. 13539 approx
81	68.24064	Filler cap, screw off/on type	2	
-	68.22797	Filler neck assembly, LH	1	} Early cars - long neck
-	68.22796	Filler neck assembly, RH	1	
-	68.23797	Filler neck assembly, LH	1	} Cars from Chassis No. 13540 approx
-	68.23796	Filler neck assembly, RH	1	
-	68.23795	Filler neck assembly, LH	1	
-	68.23795	Filler neck assembly, LH	1	} USA, Japanese cars. Swiss cars from 13560. Emission control cars
-	68.23794	Filler neck assembly, RH	1	

# FUEL, EMISSION CONTROL & EXHAUST

The Fuel System  
EFI Cars to 1988







# FUEL, EMISSION CONTROL, EXHAUST

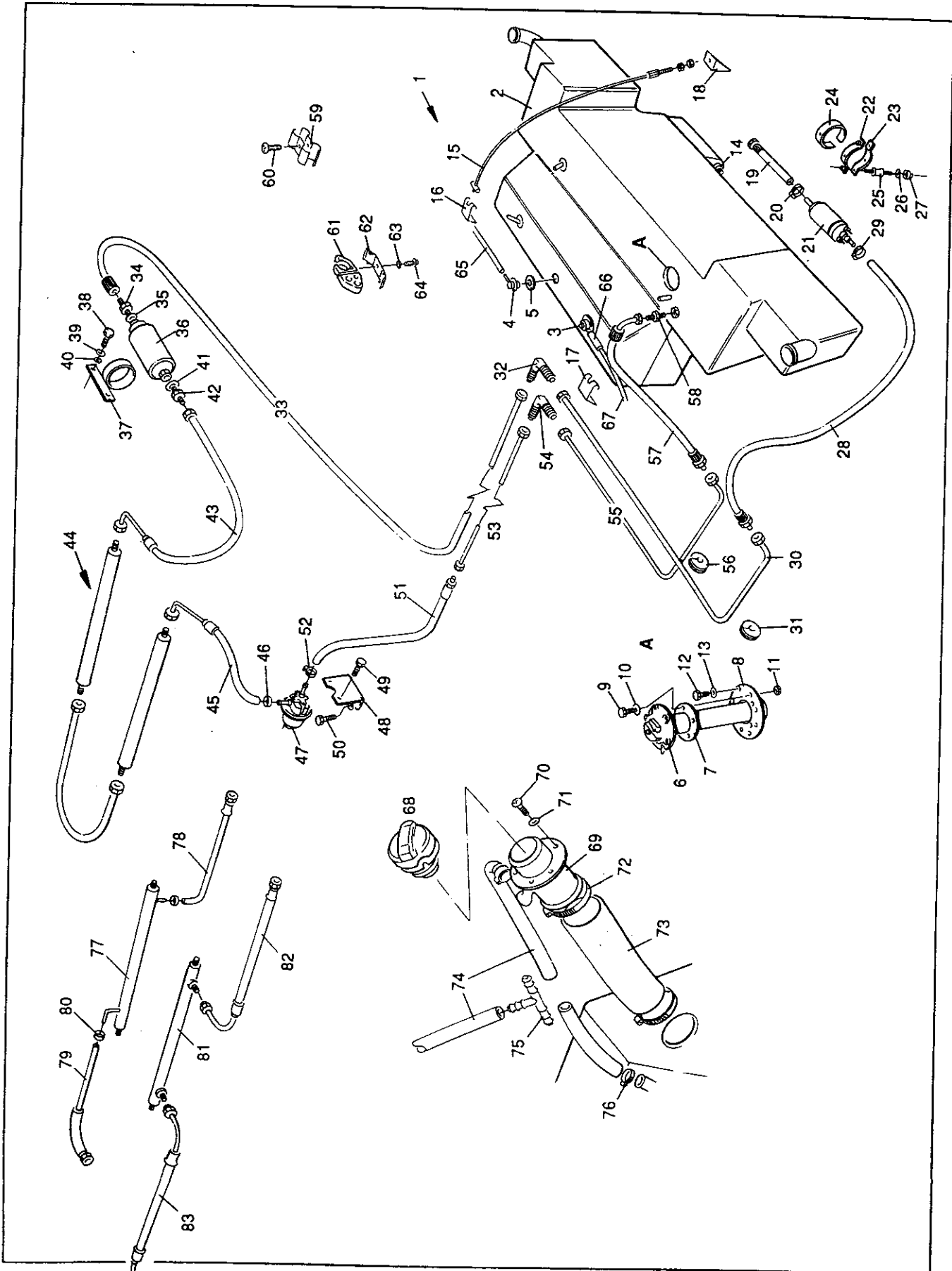
## The Fuel System

### EFI Cars to 1988

Illus. No.	Part No.	Description	Qty	Remarks
82	68.17269	Neck securing ring	2	
83	692242	Screw, M5 x 12	6	
84	692055	Washer, plain, M5	6	
85	692000	Hose clip, 40 - 60mm	4	
86	692741	Hose, 11in. long	2	
87	692673	Neck breather hose	3ft	
88	692C74	Hose clip, 20 - 32mm	4	

# FUEL, EMISSION CONTROL, EXHAUST

The Fuel System  
EFI Cars from 1988





## FUEL, EMISSION CONTROL, EXHAUST

## The Fuel System

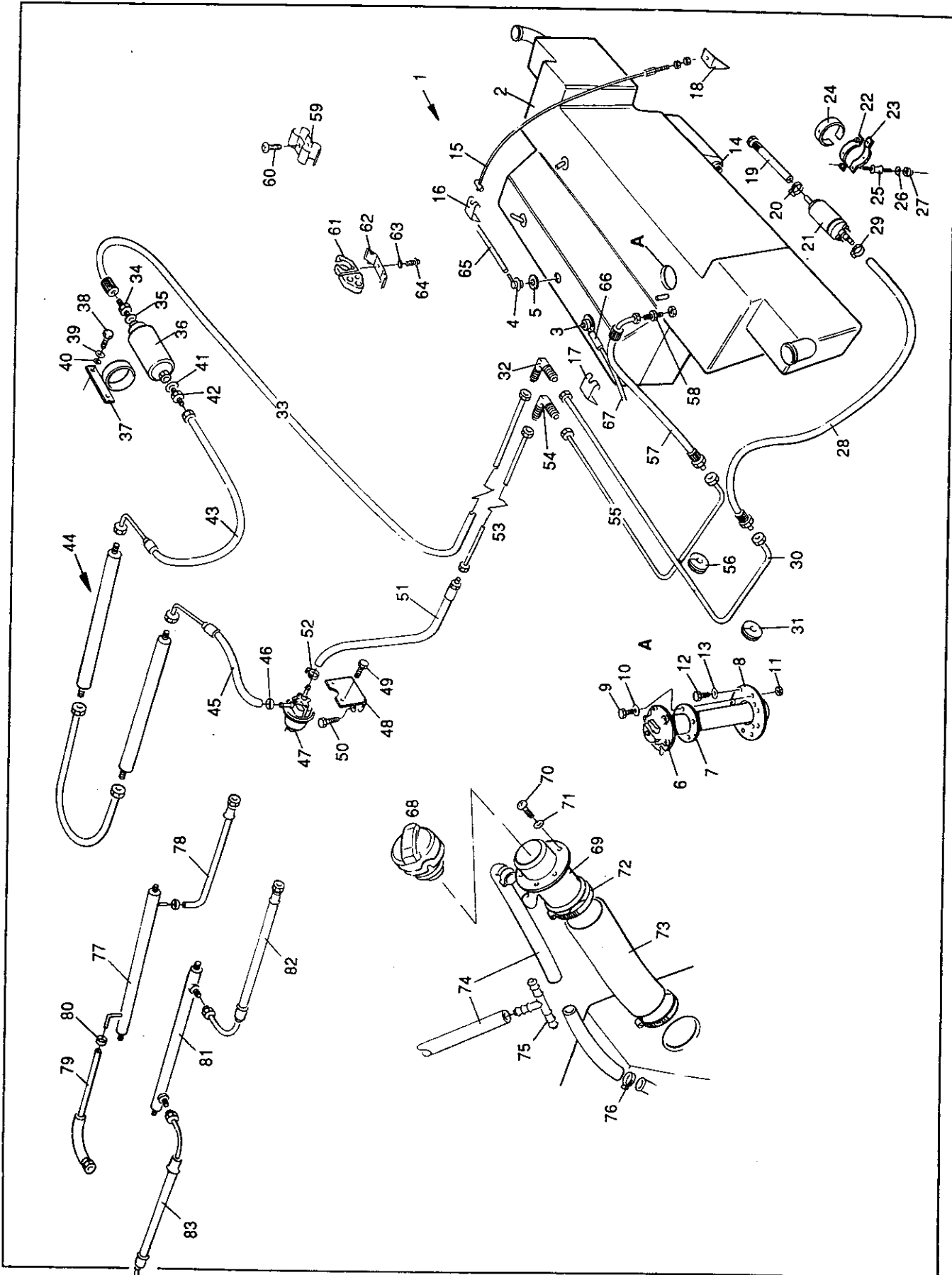
EFI Cars from 1988

illus. No.	Part No.	Description	Qty	Remarks
-	85.25762	Fuel tank insulation kit	1	
-	691946	Adhesive	as reqd	Insulation kit to tank
1	34.22962	Fuel tank assembly, complete	1	
2	34.22862	Fuel tank, bare	1	
3	090.034.0002	Pressure/vacuum relief valve assembly	1	
-	090.034.0102	Gasket	1	
-	691611	Jointing compound, Golden Hermetite	as reqd	
-	090.034.0120	Ring stiffener	2	
-	693303	Screw, 10-24 UNC x 5/8in.	6	} Pressure/vacuum valve assembly to fuel tank
-	591.000.0203	Washer, spring, No. 10	6	
4	095.034.0124	Roll-over valve	1	
5	095.034.0125	Rubber seal	1	
6	37.21875	Fuel level transmitter	1	
7	37.21876	Gasket and plate assembly	1	
8	34.24166	Adaptor plate	1	
9	692215	Screw, M5 x 20	5	} Adaptor plate to transmitter
10	692055	Washer, plain, M5	5	
11	692800	Nut, Nyloc, M5	5	
12	693303	Screw, 10-24 UNC x 5/8 in.	10	} Transmitter and adaptor plate assembly to fuel tank
13	591.000.0203	Washer, spring, No. 10	10	
-	691611	Jointing compound, Golden Hermetite	as reqd	
14	34.21890	Fuel pick-up assembly	1	
-	34.19393	Pick-up filter	1	
-	693303	Screw, 10-24 UNC x 5/8in.	8	} Pick-up assembly to fuel tank
-	591.000.0203	Washer, spring, No. 10	8	
-	691611	Jointing compound, Golden Hermetite	as reqd	
15	34.17080	Fuel tank cable, 25 1/2 in. or 24 1/2 in. long	2	
16	34.23808	Fuel tank cable bracket, upper, RH	1	
17	34.23807	Fuel tank cable bracket, upper, LH	1	
-	692089	Screw, M8 x 16	2	} Brackets to chassis
-	692047	Washer, spring, M8	2	
18	34.23786	Fuel tank cable bracket, lower	2	
-	692005	Screw, M5 x 16	4	} Brackets to chassis
-	692045	Washer, spring, M5	4	
19	34.24168	Fuel hose assembly	1	Fuel pick-up to fuel pump
20	114679	Hose clip, 16 - 25 mm	1	
-	34.20007	Fuel pump, spade-type electrical terminals	1	Up to Nov. 1987
21	34.25868	Fuel pump, threaded electrical terminals	1	From Nov. 1987
-	692074	Nut, plain, M4	1	
-	692064	Washer, shakeproof, M4	1	
-	692075	Nut, plain, M5	1	
-	692065	Washer, shakeproof, M5	1	
-	694004	Terminal, M4	1	} Required to modify harness when fitting new fuel pump in place of early type
-	020.037.0237	Terminal eyelet	1	

Electrical fittings for Fuel Pump Part. No. 34.25868

# FUEL, EMISSION CONTROL, EXHAUST

The Fuel System  
EFI Cars from 1988





## FUEL, EMISSION CONTROL, EXHAUST

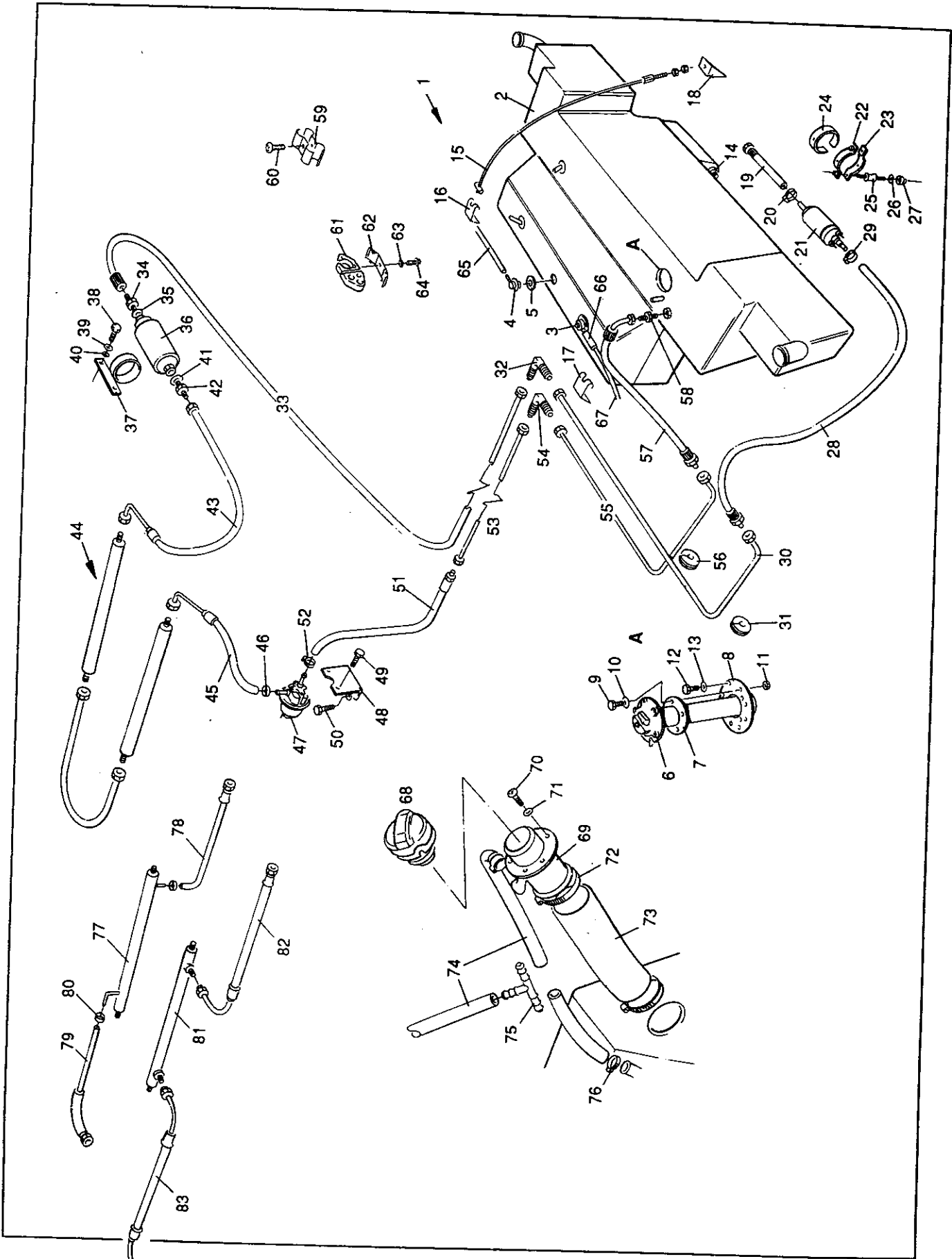
## The Fuel System

EFI Cars from 1988

Illus. No.	Part No.	Description	Qty	Remarks
22	34.23809	Mounting strap, fuel pump, outer	1	
23	34.23811	Mounting strap, fuel pump, inner	1	
24	693068	Rubber	7 in.	Fuel pump surround
25	692599	Rubber mounting	2	
26	692057	Washer, plain, M8	2	
27	692135	Nut, Nyloc, M8	2	
28	34.24169	Fuel hose assembly	1	Fuel pump to feed pipe
29	114679	Hose clip, 16 - 25 mm	1	
30	34.24170	Fuel feed pipe assembly, rear section	1	
31	693780	Grommet, feed pipe, 9.5 mm bore	1	
32	693813	Union, right angled	1	
33	34.24172	Fuel feed pipe assembly, front section	1	
34	693810	Adaptor, double ended, 9/16 in. to M14	1	
35	691534	Washer, copper	1	
36	34.20882	Fuel filter	1	
37	34.20860	Filter mounting bracket	1	
-	693068	Rubber	7 in.	Filter surround
38	692215	Screw, M5 x 20	2	} Filter mounting to bulkhead
39	692045	Washer, spring, M5	2	
40	692055	Washer, plain, M5	2	
41	693356	Washer, copper	1	
42	34.21902	Adaptor, M12 to 9/16in. UNF	1	
43	34.24174	Fuel hose assembly	1	Fuel filter to fuel rail
44	-	Fuel rails and connecting hose	1	See section 2.5A
45	08.24208	Fuel hose assembly	1	Fuel rail to pressure regulator
46	114679	Hose clip, 16 - 25mm	1	
47	08.21023	Pressure regulator	1	
48	08.20873	Mounting bracket	1	
49	693220	Screw, M6 x 12	2	} Pressure regulator
-	692046	Washer, spring, M6	2	
-	692056	Washer, plain, M6	2	} mounting bracket
50	690050	Screw, 1/4in. UNC x 3/4in.	2	} Mounting bracket
-	110943	Washer, spring, 1/4in.	2	to
-	119470	Washer, plain, 1/4in.	2	} valley plate
51	34.24175	Fuel hose assembly	1	Press. regulator to return pipe
52	114679	Hose clip, 16 - 25 mm	1	
53	34.24176	Fuel return pipe assembly, front section	1	
54	693816	Union, right angled	1	
55	34.24178	Fuel return pipe assembly, rear section	1	
56	693779	Grommet, fuel return pipe, 8 mm bore	1	
57	34.24180	Hose assembly	1	Return to fuel tank
58	693304	Union, 1/4 in. BSP to 9/16 in. UNF	1	
59	020.030.0156	Pipe clamp bracket, rear fuel pipes	4	
60	692242	Screw, M5 x 12	2	
61	34.24185	Rubber pipe clamp	10	Slit clamp when fitting pipes
62	34.24189	Clamp plate	5	
63	692064	Washer, shakeproof, M4	5	
64	693819	Screw, M4 x 10	5	
-	21.16802	Fuel line chassis protector, rear	1	
-	88.15084	Fuel line stoneguard, front	1	

# FUEL, EMISSION CONTROL, EXHAUST

The Fuel System  
EFI Cars from 1988





# FUEL, EMISSION CONTROL, EXHAUST

## The Fuel System

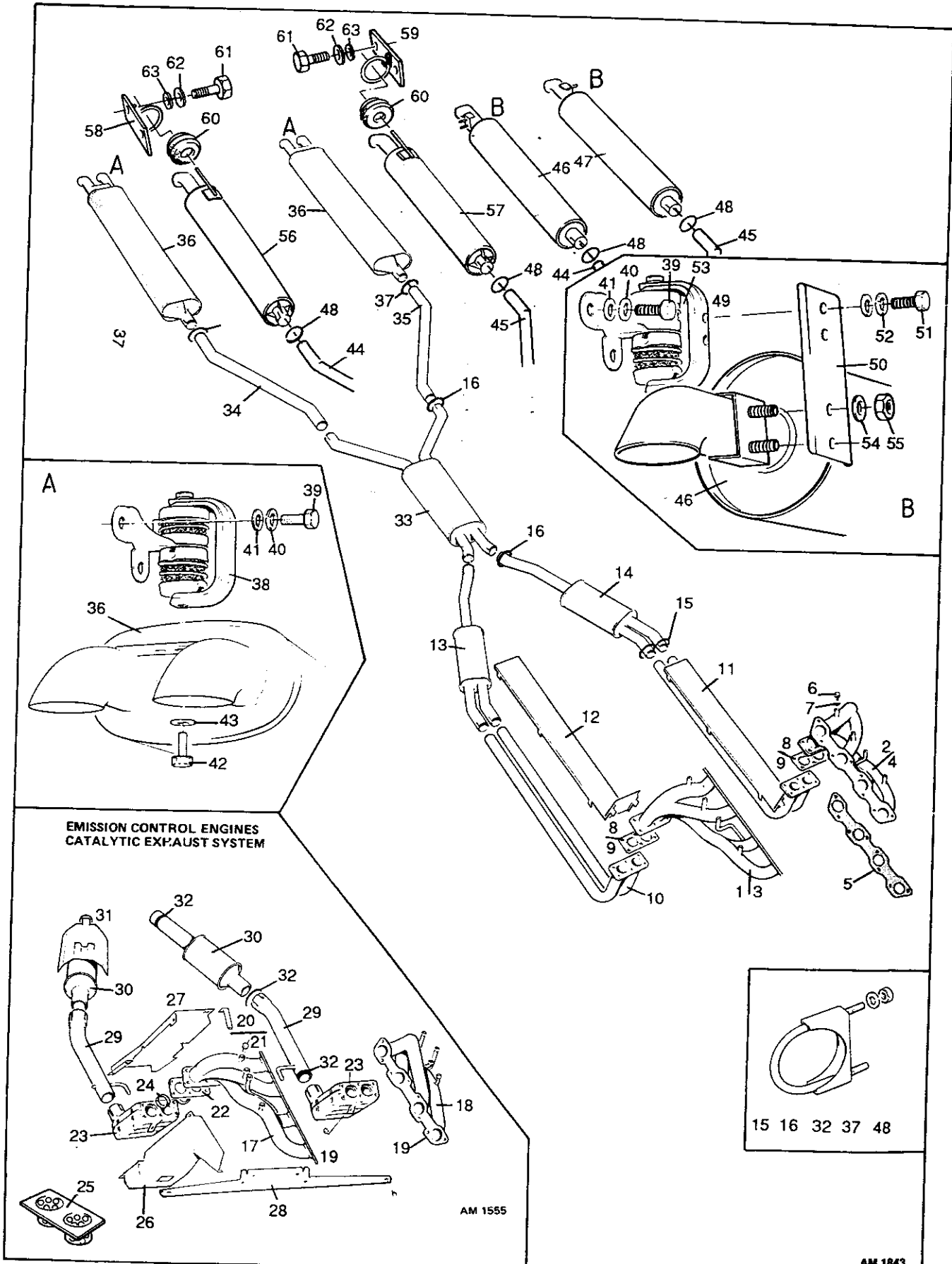
### EFI Cars from 1988

Illus. No.	Part No.	Description	Qty	Remarks
65	692235	Tubing, Nylaflex, white, 0.187in. ID	4 ft.	
66	692236	Tubing, black, 0.295in. ID	6 in.	
67	692105	Tubing, Nylaflex, black, 0.242in. ID	4 ft.	
68	68.24064	Filler cap, screw off/on type	2	
-	68.22797	Filler neck assembly, LH	1	} Early cars - } long neck
-	68.22796	Filler neck assembly, RH	1	
-	68.23797	Filler neck assembly, LH	1	} USA & Japanese } cars. Swiss & } Swedish cars from } ch. 13560.
69	68.23796	Filler neck assembly, RH	1	
-	68.23795	Filler neck assembly, LH	1	} Emission control cars } Filler necks } to body
-	68.23794	Filler neck assembly, RH	1	
70	692242	Screw, M5 x 12	6	
71	692055	Washer, plain, M5	6	
72	692000	Hose clip, 40 - 60mm	4	
73	692741	Hose, 11in. long	2	
74	692673	Breather hose, filler necks	6 ft.	
75	692789	Tee piece, 16 mm, RH side breather hose	1	
76	692674	Hose clip, 20 - 32mm	8	
77	89.26307	Fuel inter-cooler	1	
78	34.26853	Fuel hose, filter D/E union to inter-cooler	1	
79	34.26854	Fuel hose, inter-cooler to fuel rail. Curved end	1	} Fitted } to } LHD } cars
80	692613	Hose clip, 8 - 16 mm, hoses to inter-cooler	2	
-	89.26315	Heatshield	1	} Early } cars
-	691851	Insulation tape	as reqd	
81	34.51691	Fuel inter-cooler	1	} Only, } from } 1988
82	34.26561	Fuel hose, filter D/E union to inter-cooler	1	
83	34.26562	Fuel hose, inter-cooler to fuel rail	1	} Later cars } from } approx. } chassis no. } 13612
-	34.26563	Heatshield	1	
-	691851	Insulation tape	as reqd	

# FUEL, EMISSION CONTROL, EXHAUST

## Exhaust

### Carburettor Cars



EMISSION CONTROL ENGINES  
CATALYTIC EXHAUST SYSTEM

AM 1555

AM 1843





## FUEL, EMISSION CONTROL, EXHAUST

## Exhaust

## Carburettor Cars

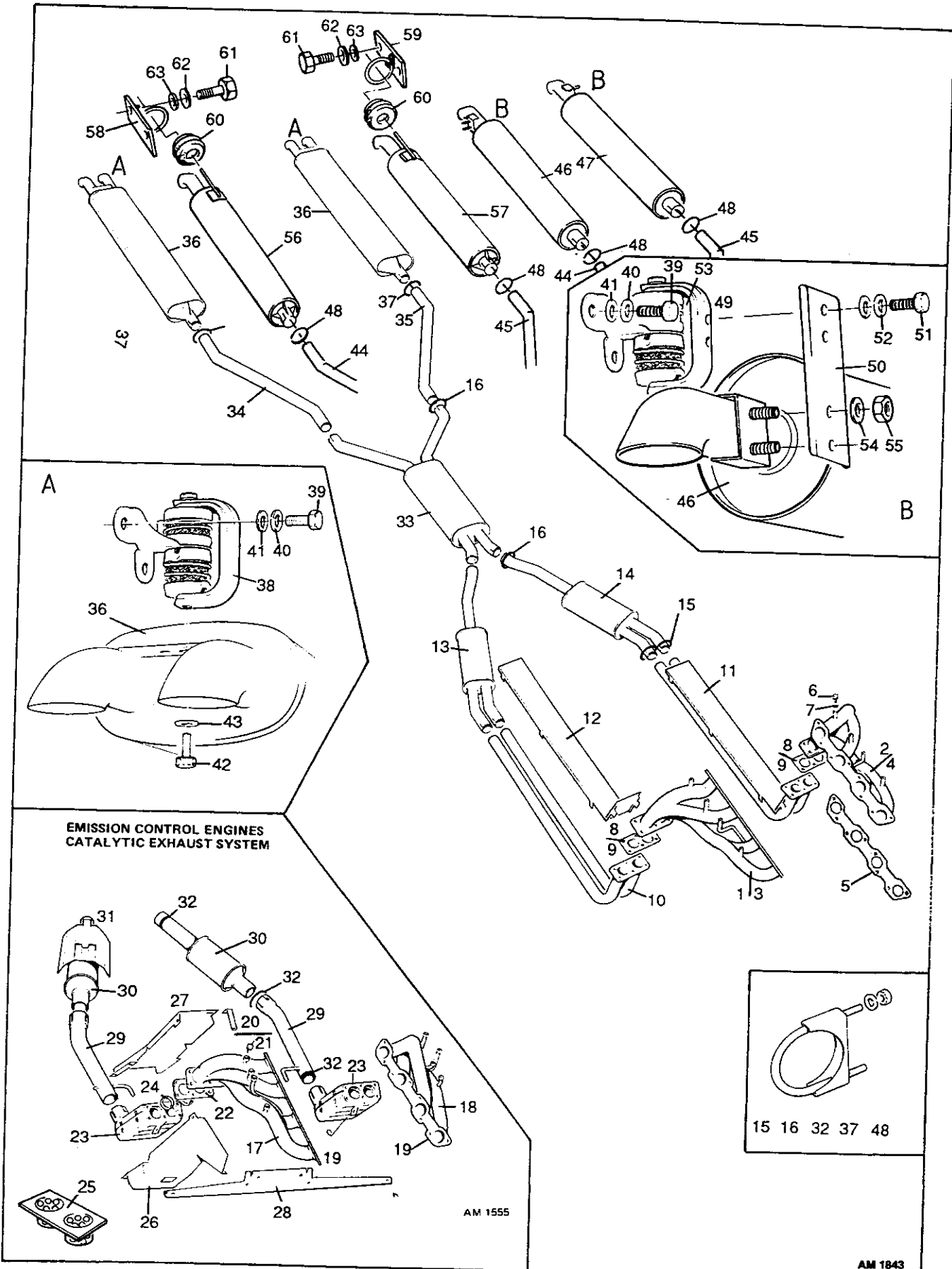
Illus. No.	Part No.	Description	Qty	Remarks
1	08.11464	Exhaust manifold, upper, RH	1	} Cars up to Chassis No. 13283
2	08.11465	Exhaust manifold, upper, LH	1	
3	08.17906	Exhaust manifold, upper, RH	1	} Cars from Chassis No. 13284
4	08.17907	Exhaust manifold, upper, LH	1	
5	080.008.0113	Gasket	2	} Upper exhaust manifolds to cylinder heads
-	122364	Nut, Philidas, 5/16in. UNF	16	
-	119481	Washer, spring, 5/16in.	16	
-	690218	Washer, copper	16	
6	08.13663	Plug, exhaust manifold, M10	8	
7	692569	Washer, copper, M10	8	
8	08.10920	Gasket	2	
9	35.17930	Gasket	2	
10	08.11466	Intermediate pipe assembly	2	
-	08.18230	Intermediate pipe assembly and heatshield, RH	1	} Cars from Chassis No. 13284
11	08.18231	Intermediate pipe assembly and heatshield, LH	1	
-	691584	Stud, 5/16in. UNC/UNF x 1 3/8in. long	12	} Intermediate pipes to manifold
-	690218	Washer, copper	12	
-	119481	Washer, spring, 5/16in	12	
-	692641	Nut, stainless steel, 5/16in. UNF	12	
12	08.17377	Heatshield	2	
13	35.11338	Silencer, front, RH	1	
14	35.11339	Silencer, front, LH	1	
15	080.035.0134	'U' bolt and clip, 1 7/8in.	4	
16	080.035.0135	'U' bolt and clip, 2 1/8in.	4	
<b>Emission Control Cars</b>				
17	08.17906	Exhaust manifold, upper, RH	1	} Upper exhaust manifolds to cylinder heads
18	08.17907	Exhaust manifold, upper, LH	1	
19	080.008.0113	Gasket	2	
-	122364	Nut, Philidas, 5/16in. UNF	16	
-	119481	Washer, spring, 5/16in.	16	
-	690218	Washer, copper	16	
20	08.13663	Plug, exhaust manifold, M10	8	
21	692569	Washer, copper, M10	8	
22	35.17930	Gasket	2	} Upper manifold to front catalyst
23	35.17925	Front catalyst	2	
24	35.19121	Diffuser	4	} Not early Canadian cars
25	35.20783	Diffuser assembly	2	
-	692554	Stud stainless steel, 5/16in. UNC/UNF, x 1 3/8in. long	12	} Replace with Item 25 1985 on
-	110954	Washer, spring, 5/16in.	12	
-	690218	Washer, copper	12	
-	122364	Nut, Philidas, 5/16in. UNF	12	
26	35.18076	Front heatshield, front RH catalyst	1	} Exhaust manifolds to catalyst assemblies
27	35.18072	Rear heatshield, front RH catalyst	1	
-	35.18077	Front heatshield, front LH catalyst	1	
-	35.18073	Rear heatshield, front LH catalyst	1	

# FUEL, EMISSION CONTROL, EXHAUST



## Exhaust

### Carburettor Cars



EMISSION CONTROL ENGINES  
CATALYTIC EXHAUST SYSTEM

AM 1555

AM 1843

TP 5079-I-0689



# FUEL, EMISSION CONTROL, EXHAUST

## Exhaust

### Carburettor Cars

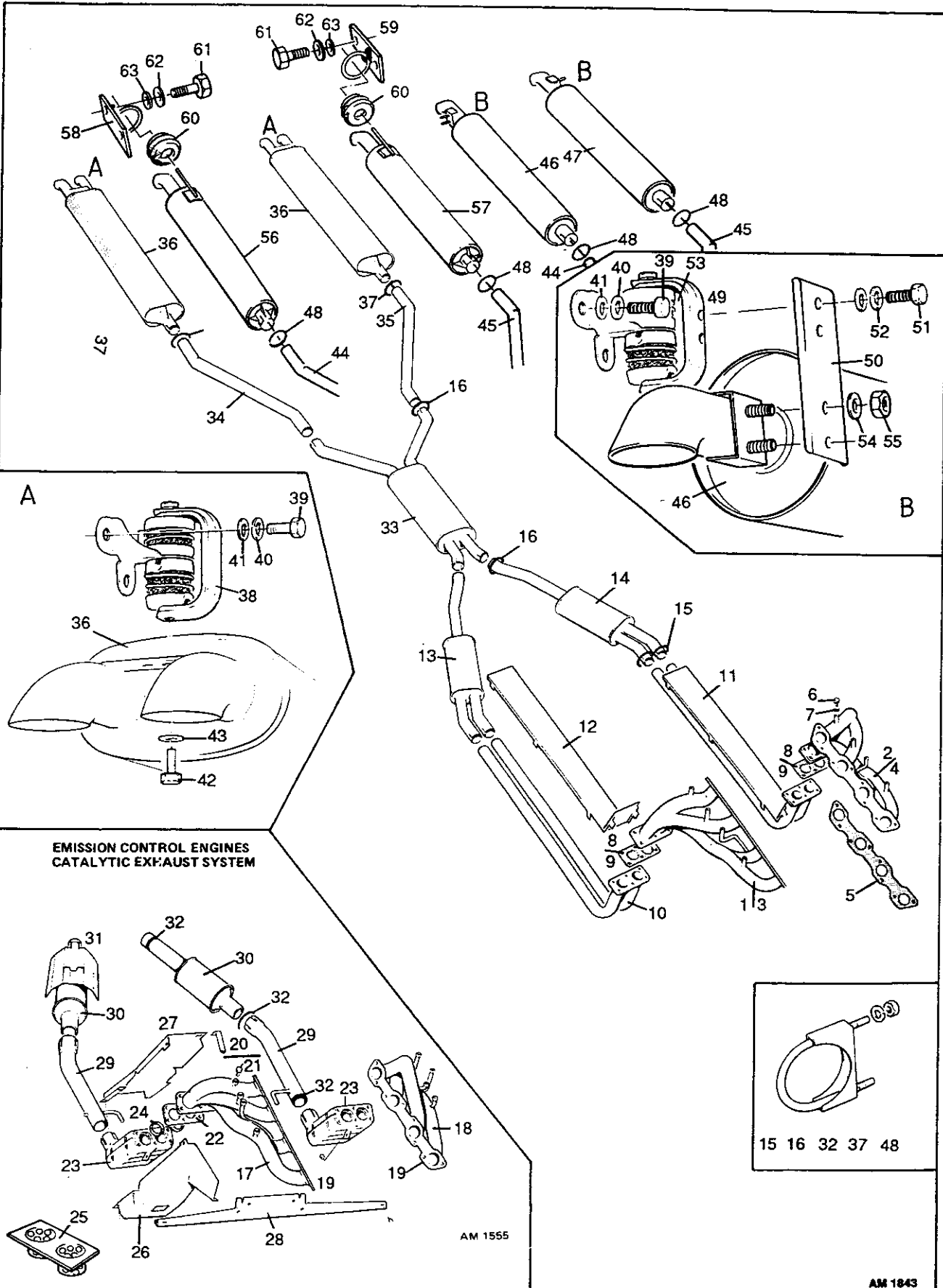
Illus. No.	Part No.	Description	Qty	Remarks
-	692736	Screw, M5 x 10	2	} Front heatshields to rear heatshields
-	692045	Washer, spring, M5	2	
-	35.19112	Support bracket, RH rear heatshield	1	} Mounting bracket to heatshield
-	35.19113	Support bracket, LH rear heatshield	1	
-	692736	Screw, M5 x 10	4	} Heatshield to front catalyst
-	692045	Washer, spring, M5	4	
-	692737	Nut, M5	16	} Front catalyst to support bar
-	692045	Washer, spring, M5	16	
28	35.17938	Support bar, front catalyst	1	} Support bar to gearbox
-	691328	Stud, 1/4in. UNF/UNC x 1in. long	2	
-	110943	Washer, spring, 1/4in.	4	
-	541004	Nut, 1/4in. UNF	2	
-	690491	Bolt, 1/4in. UNC x 3/4in. long	2	
-	692544	Screw, M8 x 30	2	
-	692057	Washer, plain, M8	4	
-	692047	Washer, spring, M8	2	
-	692077	Nut, M8	2	
-	35.17941	Spacer	as reqd	
29	35.17932	Intermediate pipe air nozzle assembly	2	} Solid type, up to Chassis No. 13386
-	35.20448	Intermediate pipe air nozzle assembly	2	
-	08.18629	Intermediate pipe assembly, RH	1	} Upper exhaust manifolds to rear catalyst
-	08.18630	Intermediate pipe assembly, LH	1	
30	35.17935	Rear catalyst	2	} Early Canadian cars
31	86.17959	Heatshield, rear catalyst	2	
-	692465	Pop rivet	14	} Heatshield attachment
-	691623	Washer, plain	14	
32	080.035.0135	'U' bolt and clip, 2 1/8in.	6	4 on early Canadian cars
<b>All Cars</b>				
33	35.11340	Centre silencer box assembly	1	} Centre silencer assembly
-	095.035.0102	Flexible exhaust mounting	2	
-	692146	Setscrew, M6 x 20	4	} Silencer to mounting
-	692056	Washer, plain, M6	4	
-	692046	Washer, spring, M6	4	
-	692076	Nut, M6	4	
-	692087	Setscrew, M8 x 20	6	} Mounting to chassis
-	692057	Washer, plain, M8	6	
-	692047	Washer, spring, M8	6	
34	35.11364	Pipe, intermediate, RH	1	
35	35.11365	Pipe, intermediate, LH	1	} Early cars
36	35.11449	Rear silencer assembly	2	
37	080.035.0135	'U' bolt and clip, 2 1/8in.	2	} Flexible exhaust mounting to chassis
38	095.035.0102	Flexible exhaust mounting	2	
39	692087	Setscrew, M8 x 20	6	} Flexible exhaust mounting to chassis
40	692047	Washer, spring, M8	6	
41	692057	Washer, plain, M8	6	
-	692077	Nut, M8	2	
42	530408	Setscrew, 1/4in. UNF x 1in. long	2	

# FUEL, EMISSION CONTROL, EXHAUST



## Exhaust

### Carburettor Cars





FUEL, EMISSION CONTROL, EXHAUST

Exhaust

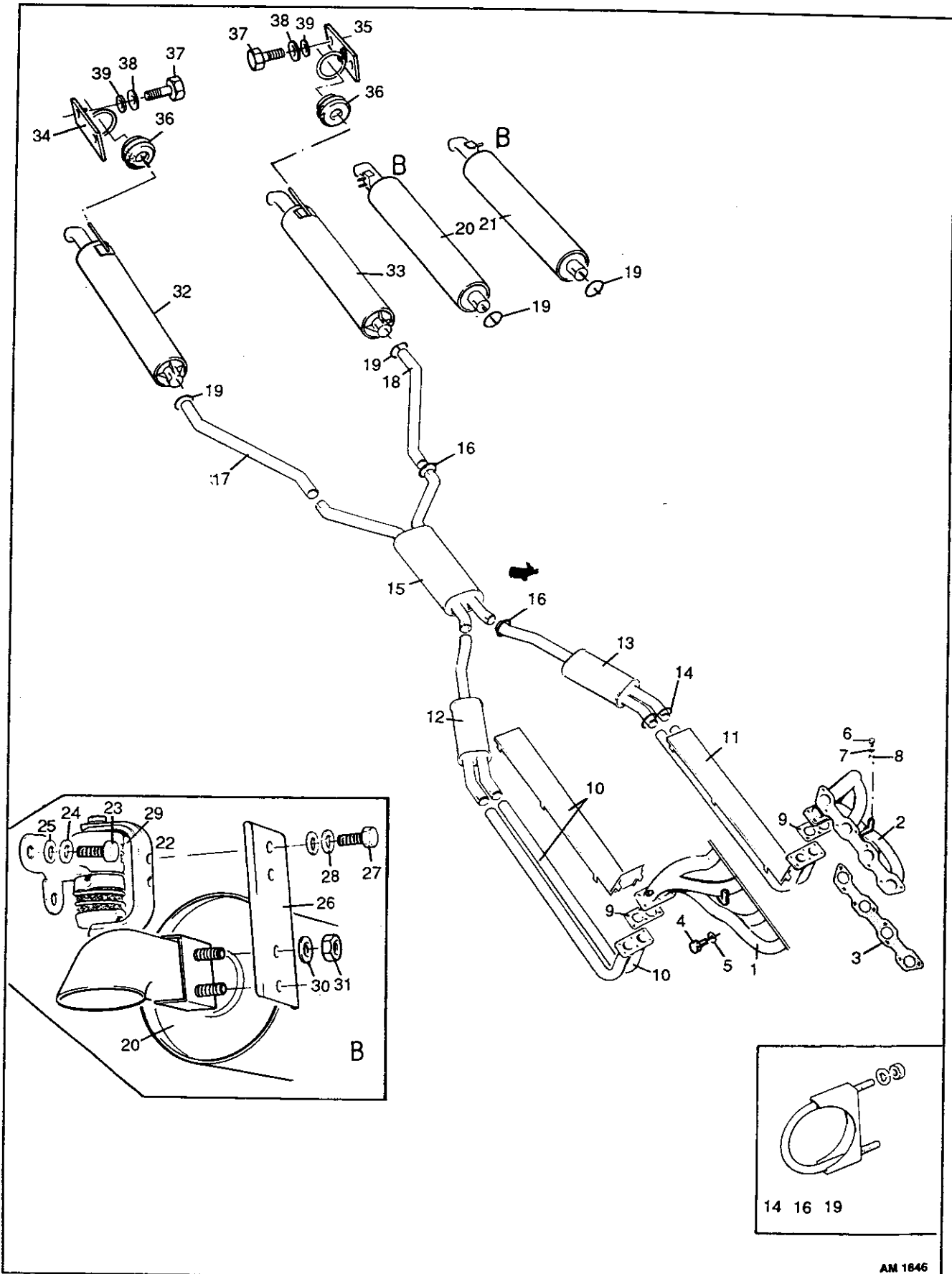
Carburettor Cars

Illus. No.	Part No.	Description	Qty	Remarks	
43	119470	Washer, plain, 1/4in.	2	} Emission control cars	
-	35.18978	Spacer, tail pipe mounting, 6.5mm thick	as reqd		
-	35.18979	Spacer, tail pipe mounting, 13mm thick	as reqd		
44	35.19242	Pipe, intermediate, RH	1		
45	35.19243	Pipe, intermediate, LH	1		
46	35.26295	Rear silencer assembly, RH	1		
47	35.26294	Rear silencer assembly, LH	1		
48	080.035.0136	'U' bolt and clip, 2 1/4in.	2		Intermediate pipe to silencer
49	095.035.0102	Flexible exhaust mounting	2		} Cars from Chassis Nos. 13336 13296 (USA) and 13320 (Swiss)
50	35.19244	Hanger strap, rear silencer	2		
51	520405	Bolt, 1/4in. UNF x 5/8in. long	4	} Hanger strap to flexible mounting	
52	110943	Washer, spring, 1/4in.	4		
53	541004	Nut, plain, 1/4in. UNF	4	} Hanger strap to tail pipe bracket	
54	110943	Washer, spring, 1/4in.	4		
55	541004	Nut, plain, 1/4in. UNF	4	} Rubber-mounted	
56	35.14528	Rear silencer assembly, RH	1		
57	35.14527	Rear silencer assembly, LH	1		
58	35.21559	Bracket, RH	1	} Later cars	
59	35.21560	Bracket, LH	1		
60	35.21698	Rubber mounting	2		
61	692087	Setscrew, M8 x 20	4		} Mounting brackets to chassis
62	692047	Washer, spring, M8	4		
63	692057	Washer, plain, M8	4	} Later cars	
-	35.18978	Spacer, tail pipe mounting, 6.5mm thick	as reqd	} Emission control cars	
-	35.18979	Spacer, tail pipe mounting, 13mm thick	as reqd		

# FUEL, EMISSION CONTROL, EXHAUST

## Exhaust

Swiss EFI cars up to 1988



AM 1846



## FUEL, EMISSION CONTROL, EXHAUST

## Exhaust

## Swiss EFI Cars up to 1988

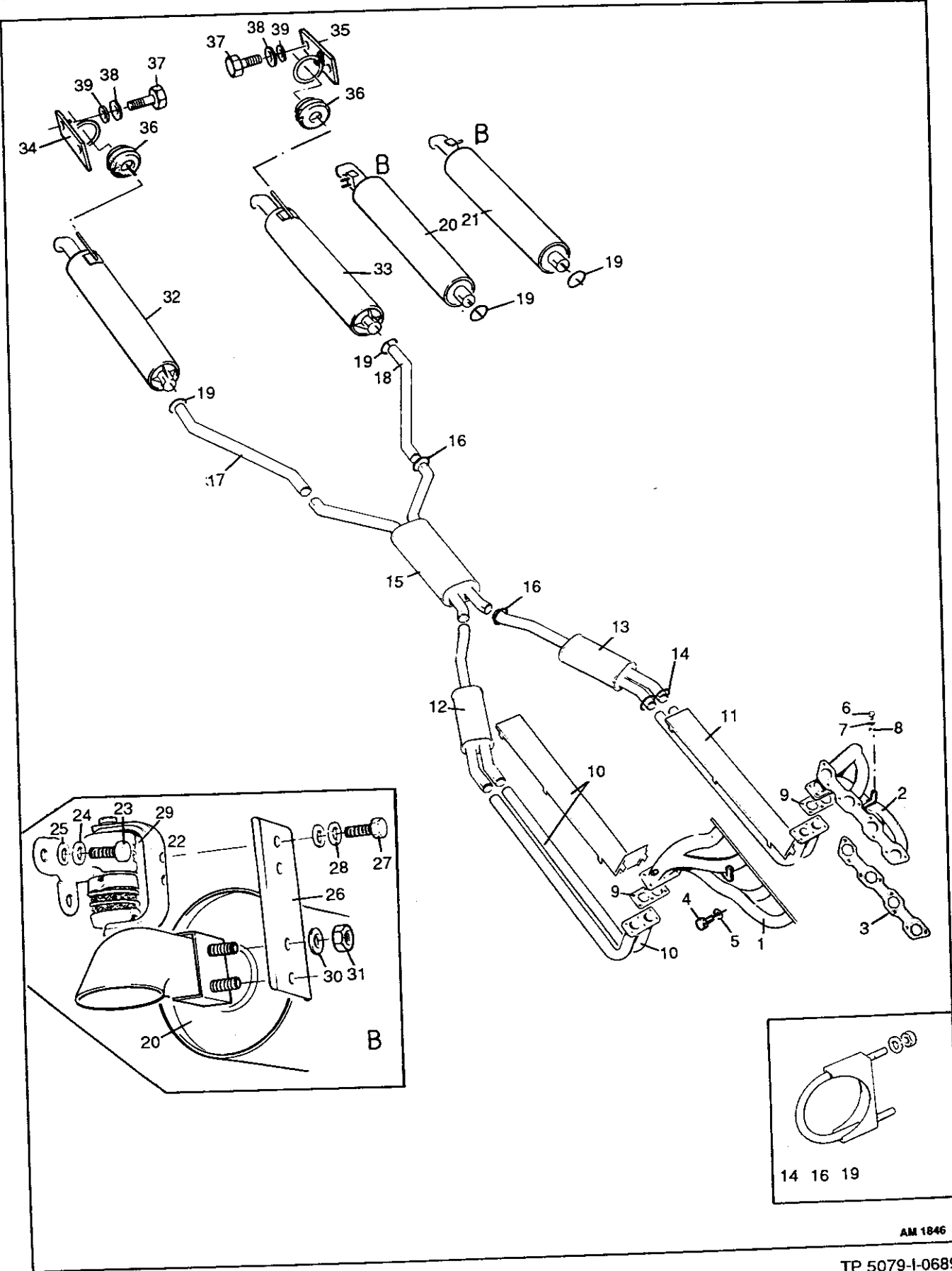
Illus. No.	Part No.	Description	Qty	Remarks
		<b>Note: For cars after Chassis No. 13560 (1988) - See Section 2.7C</b>		
1	08.25408	Exhaust manifold, upper, RH	1	
2	08.25407	Exhaust manifold, upper, LH	1	
3	080.008.0113	Gasket	2	} Upper manifold to cylinder head
-	122364	Nut, Philidas, 5/16in. UNF	16	
-	119481	Washer, spring, 5/16in.	16	
-	690218	Washer, copper	16	
4	693059	Blanking plug, M12	2	} Early cars
5	693061	Washer, copper, M12	2	
6	692091	Capscrew, M6 x 20	2	} Later cars
7	692046	Washer, spring, M6	2	
8	692056	Washer, plain, M6	2	
9	35.17930	Gasket	2	
-	691584	Stud, 5/16in. UNC/UNF x 1 3/8in. long	12	} Upper exhaust manifold to intermediate pipe assemblies
-	690218	Washer, copper	12	
-	119481	Washer, spring, 5/16in.	12	
-	692641	Nut, stainless steel, 5/16in. UNF	12	
10	08.18230	Intermediate pipe assembly and heatshield, RH	1	
11	08.18231	Intermediate pipe assembly and heatshield, LH	1	
12	35.11338	Silencer, front, RH	1	
13	35.11339	Silencer, front, LH	1	
14	080.035.0134	'U' boly and clip, 1 7/8in.	4	
15	35.11340	Cruciform assembly	1	
16	080.035.0135	'U' bolt and clip, 2 1/8in.	4	
-	095.035.0102	Flexible exhaust mounting	2	Cruciform assembly
-	692146	Setscrew, M6 x 20	4	} Cruciform to mounting
-	692056	Washer, plain, M6	4	
-	692046	Washer, spring, M6	4	
-	692076	Nut, M6	4	
-	692087	Setscrew, M8 x 20	6	} Mounting to chassis
-	692057	Washer, plain, M8	6	
-	692047	Washer, spring, M8	6	
17	35.19242	Intermediate pipe, RH	1	
18	35.19243	Intermediate pipe, LH	1	
19	080.035.0136	'U' bolt and clip, 2 1/4in.	2	
20	35.26295	Silencer, rear, RH	1	
21	35.26294	Silencer, rear, LH	1	
22	095.035.0102	Flexible exhaust mounting	2	
23	692087	Setscrew, M8 x 20	6	} Flexible exhaust mounting to chassis
24	692047	Washer, spring, M8	6	
25	692057	Washer, plain, M8	6	
-	692077	Nut, M8	2	
26	35.19244	Hanger strap, rear silencer	2	
27	520405	Bolt, 1/4in. UNF x 5/8in. long	4	} Hanger strap to
28	110943	Washer, spring, 1/4in.	4	
29	541004	Nut, plain, 1/4in. UNF	4	} flexible mounting
30	110943	Washer, spring, 1/4in.	4	
31	541004	Nut, plain, 1/4in. UNF	4	} Hanger strap to tail pipe bracket

# FUEL, EMISSION CONTROL, EXHAUST



## Exhaust

Swiss EFI cars up to 1988







## FUEL, EMISSION CONTROL, EXHAUST

## Exhaust

Swiss EFI Cars up to 1988

Illus. No.	Part No.	Description	Qty	Remarks
32	35.14528	Silencer, rear, RH	1	} Later cars - rubber mountings } } Mounting brackets to chassis
33	35.14527	Silencer, rear, LH	1	
34	35.21559	Bracket, RH	1	
35	35.21560	Bracket, LH	1	
36	35.21698	Rubber mounting	2	
37	692087	Setscrew, M8 x 20	4	
38	692047	Washer, spring, M8	4	
39	692057	Washer, plain, M8	4	

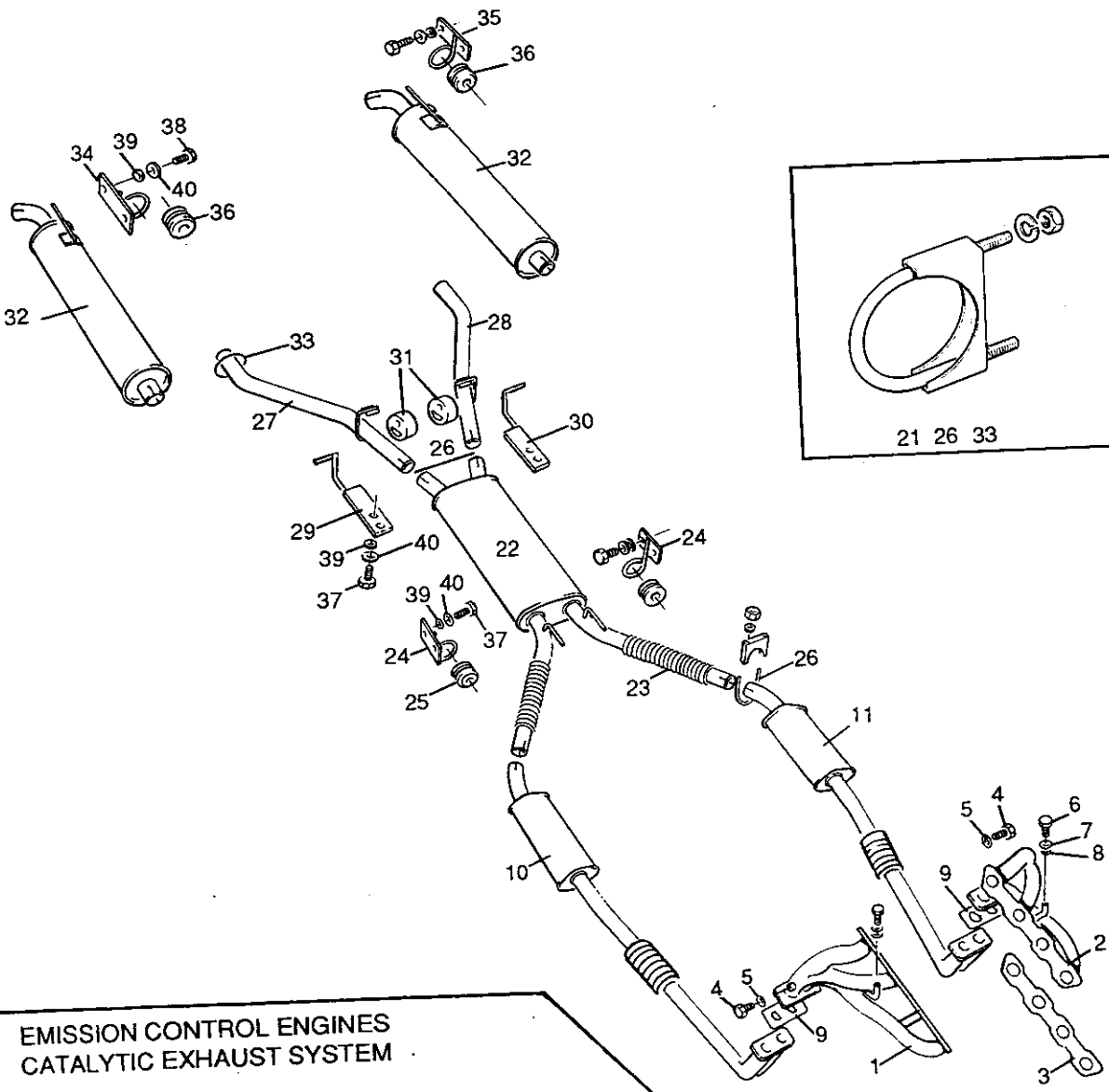


# FUEL, EMISSION CONTROL, EXHAUST

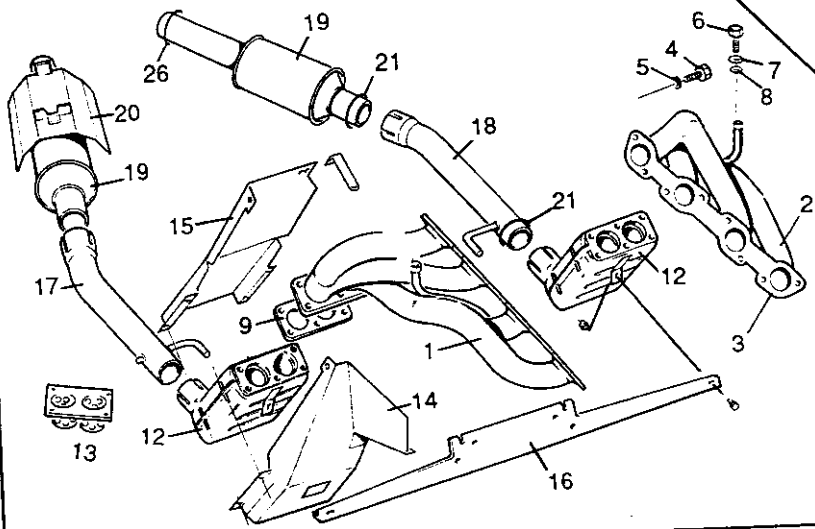
Exhaust

EFI Cars

NOTE: SEE SECTION 2.7B FOR SWISS EFI CARS UP TO 1988



EMISSION CONTROL ENGINES  
CATALYTIC EXHAUST SYSTEM



AM 1845L

TP 5079-1-0789



## FUEL, EMISSION CONTROL, EXHAUST

Exhaust

EFI Cars

Illus. No.	Part No.	Description	Qty	Remarks	
1	08.25408	Exhaust manifold, upper, RH	1	} Upper manifold to cylinder head	
2	08.25407	Exhaust manifold, upper, LH	1		
3	080.008.0113	Gasket	2		
-	122364	Nut, Philidas, 5/16in. UNF	16		
-	119481	Washer, spring, 5/16in.	16		
-	690218	Washer, copper	16		
4	693059	Blanking plug, M12	2		} Early cars
5	693061	Washer, copper, M12	2		
6	692091	Capscrew, M6 x 20	2		} Later cars
7	692046	Washer, spring, M6	2		
8	692056	Washer, plain, M6	2		
9	35.17930	Gasket	2	} Upper manifold to lower manifold	
-	693310	Bolt, stainless steel, M8 x 35	12		
-	122193	Washer, stainless steel, 5/16 in.	12		
-	692047	Washer, spring, M8	12		
-	693311	Nut, stainless steel, plain, M8	12		
10	35.21543	Manifold lower and front silencer assembly, RH	1		} Short flex added Sept. 1989
11	35.21542	Manifold lower and front silencer assembly, LH	1		
12	35.21676	Front catalyst	2		} Upper manifold to front catalyst
13	35.20783	Diffuser assembly	2		
-	692554	Stud, stainless steel, 5/16in. UNC/UNF x 1 3/8in. long	12		
-	110954	Washer, spring, 5/16in.	12		
-	122193	Washer, stainless steel, 5/16 in.	12		
-	122364	Nut, Philidas, 5/16in. UNF	12		
14	35.18076	Front heatshield, front RH catalyst	1		
15	35.18072	Rear heatshield, front RH catalyst	1		
-	35.18077	Front heatshield, front LH catalyst	1		
-	35.18073	Rear heatshield, front LH catalyst	1		
-	692736	Screw, M5 x 10	2	} Front heatshield to rear heatshield	
-	692045	Washer, spring, M5	2		
-	35.19112	Support bracket, RH rear heatshield	1	} Mounting bracket to heatshield	
-	35.19113	Support bracket, LH rear heatshield	1		
-	692736	Screw, M5 x 10	4		
-	692045	Washer, spring, M5	4		
-	692737	Nut, M5	16		
-	692045	Washer, spring, M5	16		
16	35.17938	Support bar, front catalyst	1		} Heatshield to front catalyst
-	691328	Stud, 1/4in. UNF/UNC x 1in. long	2		
-	110943	Washer, spring, 1/4in.	4		
-	541004	Nut, 1/4in. UNF	2		
-	690491	Bolt, 1/4in. UNC x 3/4in. long	2		
-	692544	Screw, M8 x 30	2		
-	692057	Washer, plain, M8	4		
-	692047	Washer, spring, M8	2		
-	692077	Nut, M8	2		
-	35.17941	Spacer	as reqd		
17	35.21545	Connecting pipe, RH	1	} Support bar to gearbox	
18	35.21544	Connecting pipe, LH	1		
19	35.21677	Rear catalyst	2		
20	86.17959	Heatshield, rear catalyst	2		
-	692465	Pop rivet	14		
-	691623	Washer, plain	14		
21	35.22021	'U'bolt and clip, 2 3/8in.	4		
					} Front catalyst to support bar

All cars

Standard cars

Cars up to 1988

USA and Japanese cars.

Swiss cars from

Chassis No. 13560 (1988)

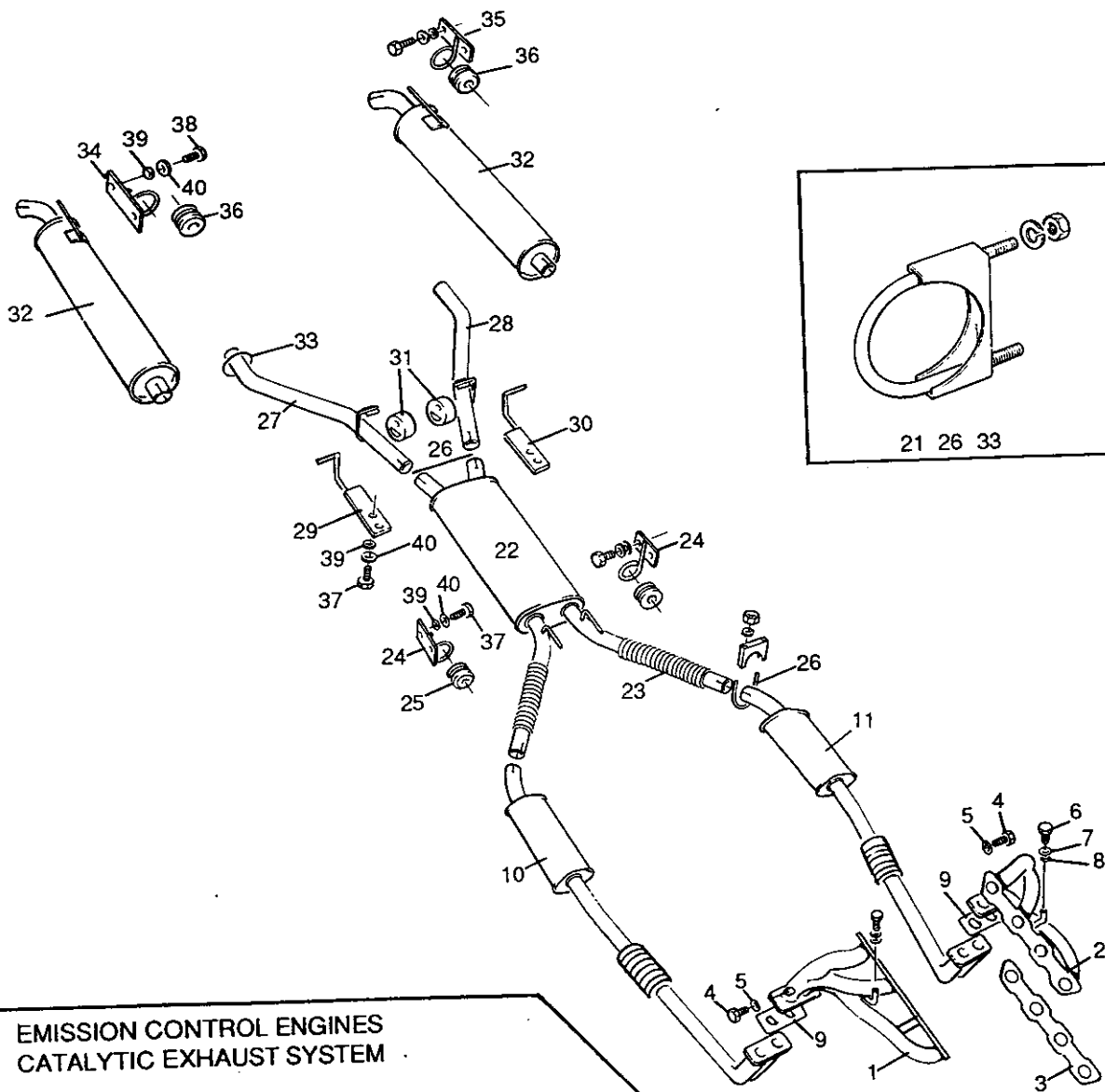
# FUEL, EMISSION CONTROL, EXHAUST



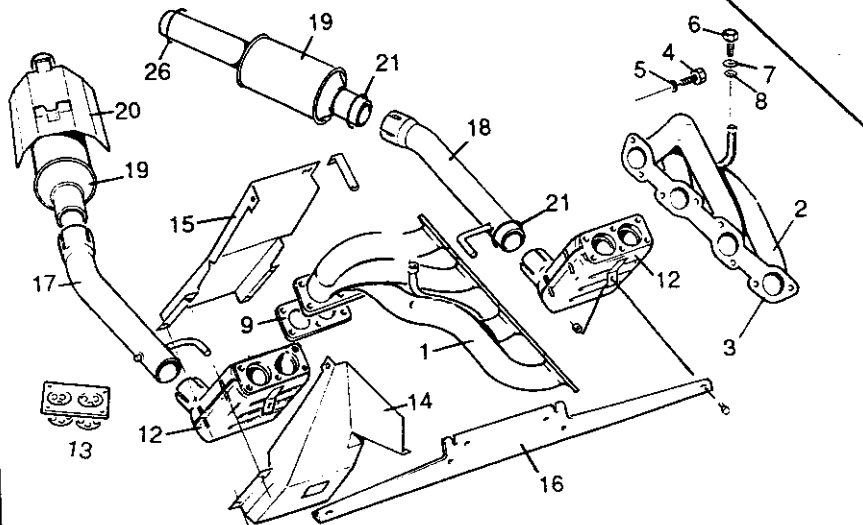
Exhaust

EFI Cars

NOTE: SEE SECTION 2.7B FOR SWISS EFI CARS UP TO 1988



EMISSION CONTROL ENGINES  
CATALYTIC EXHAUST SYSTEM



AM 1845L



## FUEL, EMISSION CONTROL, EXHAUST

Exhaust

EFI Cars

Illus. No.	Part No.	Description	Qty	Remarks	
22	35.21541	Cruciform assembly	1	} Standard cars. USA and Japanese cars. Swiss cars from Chassis No. 13560 (1988)	
23	35.26340	Flexible section	2		
24	35.21555	Mounting bracket	2		
25	35.21698	Rubber mounting	2		
26	35.22021	'U' bolt and clip, 2 3/8in.	4		
27	35.21540	Intermediate pipe assembly, RH	1		
-	35.26586	Intermediate pipe, front, RH	1		} From September 1989
-	35.26588	Intermediate pipe, rear, RH	1		
-	35.22021	'U' bolt and clip, 2 3/8in.	1		
28	35.21539	Intermediate pipe assembly, LH	1		} From September 1989
-	35.26585	Intermediate pipe, front, LH	1		
-	35.26587	Intermediate pipe, rear, LH	1		
-	35.22021	'U' bolt and clip, 2 3/8in.	1		
29	35.21558	Mounting bracket, RH	1		} All cars. Fixings - Exhaust brackets to chassis
30	35.21557	Mounting bracket, LH	1		
31	35.21697	Rubber mounting	2		
32	35.21535	Rear silencer assembly	2		
33	35.22021	'U' bolt and clip, 2 3/8in.	2		
34	35.21559	Mounting bracket, RH	1		
35	35.21560	Mounting bracket, LH	1		
36	35.21698	Rubber mounting	2		
-	35.18978	Spacer, tail pipe mounting, 6.5mm thick	as reqd		
-	35.18979	Spacer, tail pipe mounting, 13mm thick	as reqd		
37	692129	Bolt, M8 x 25	8		
38	692087	Bolt, M8 x 20	4		
39	692057	Washer, plain, M8	24		
40	692047	Washer, spring, M8	24		
-	690270	Washer, plain, 1in. OD	24		
-	692135	Nut, Nyloc, M8	8		



**TRANSMISSION****Contents**

<b>TRANSMISSION</b>	<b>3</b>
<b>Torque Converter</b>	<b>3.1</b>
<b>Gearbox Cooling</b>	<b>3.2</b>
<b>Gear Selector</b>	<b>3.3</b>
<b>Gearbox Casing</b>	<b>3.4</b>
<b>Valve Body, Sump and Propshaft</b>	<b>3.5</b>
<b>Limited Slip Differential</b>	<b>3.6</b>
<b>Differential Mounting Assembly</b>	<b>3.7</b>
<b>Drive Shaft and Hub Assembly</b>	<b>3.8</b>



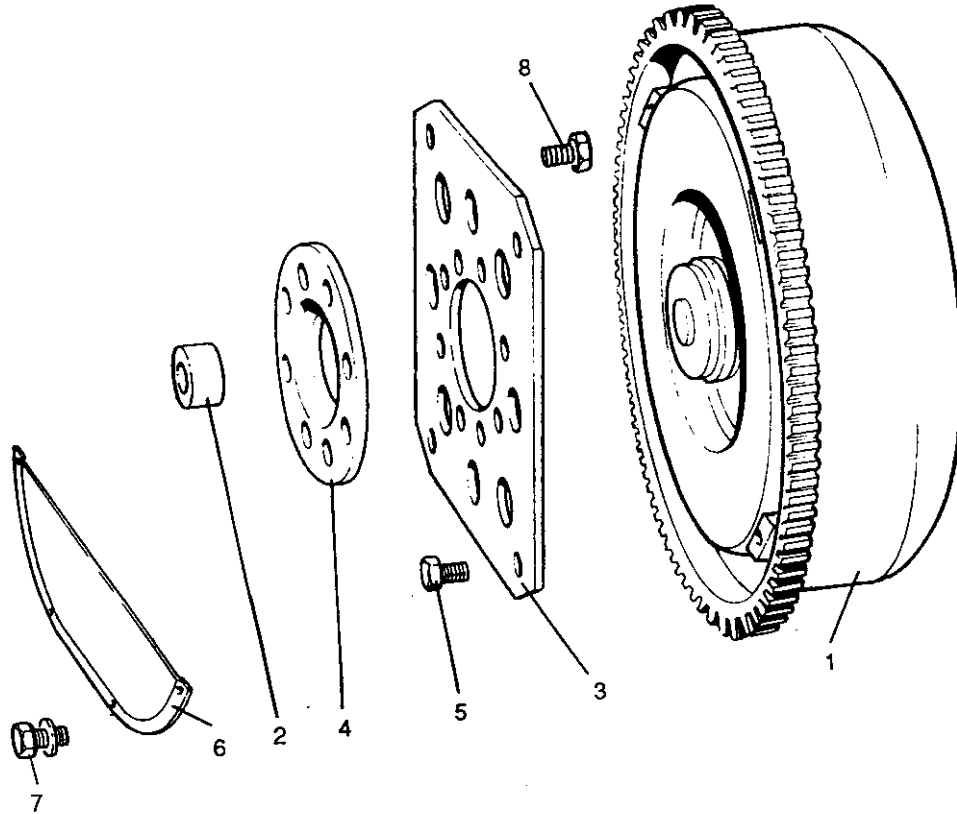


**SECTION 3**  
**TRANSMISSION**

# TRANSMISSION

Automatic Transmission

Torque Converter



AM 1138/1L



## TRANSMISSION

### Automatic Gearbox Torque Converter

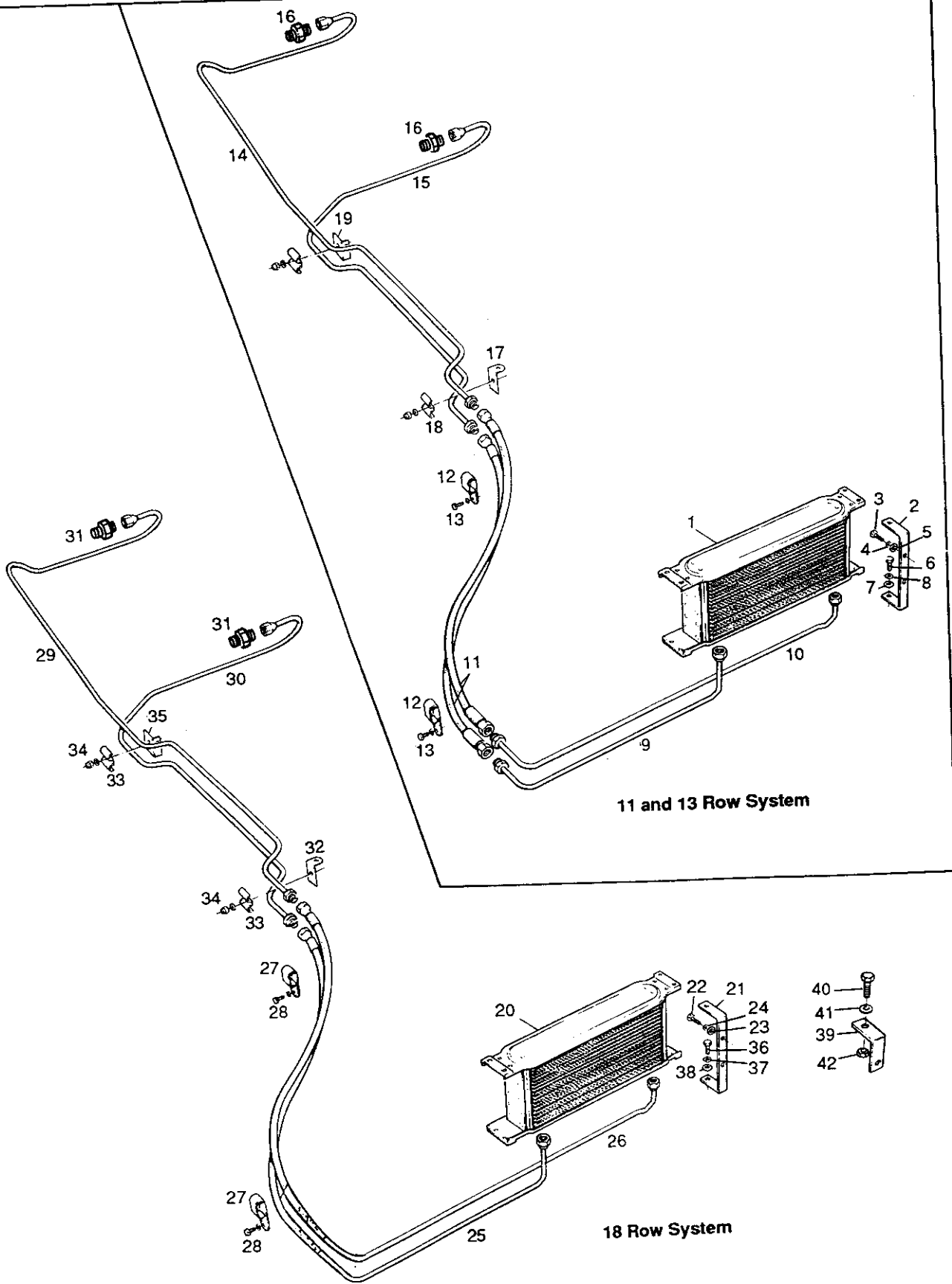
Illus No.	Part Number	Description	Qty	Remarks
1	093.031.0152	Torque converter, complete with starter ring gear, balanced, low stall	1	For use with gearbox Pt. No. 096.031.0003 For cars up to Chassis No.13058 For use with gearboxes. Pt Nos. 42.19512 and 42.22727. For cars from Chassis No 13059 For use with gearbox, Pt. No. 091224 Service Modification For use with gearbox, Pt. No. 42.23501 Gearbox and torque converter assembly Pt. No. 42.23514 Cars from 1986
-	42.16828	Torque converter, complete with starter ring gear, balanced, lock-up, high stall	1	
-	42.25417	Torque converter, complete with starter ring gear, balanced, non-lock-up/lock-up	1	
-	42.22876	Torque converter, complete with starter ring gear, balanced, non-lock-up/lock-up	1	
2	02.16333	Spacer	1	Torque converter to crankshaft Gearbox to engine
-	96.17258	Dowel, special, 1 1/2in. long	2	
3	093.002.0101	Drive plate, black	1	Bore, 1.8129in. } Alternatives Bore, 1.8120in. }
4	02.22616	Adaptor, crankshaft, drive plate	1	
-	02.22617	Adaptor, crankshaft, drive plate	1	
5	093.031.0151	Screw, drive plate/converter	4	
6	093.031.0153	Flywheel cover	1	
7	081.031.0886	Screw and washer assembly	4	Flywheel cover to gearbox
8	095.002.0103	Bolt	8	Drive plate/adaptor/crankshaft



# TRANSMISSION

## Automatic Gearbox

### Oil Cooling System





## TRANSMISSION

### Automatic Gearbox

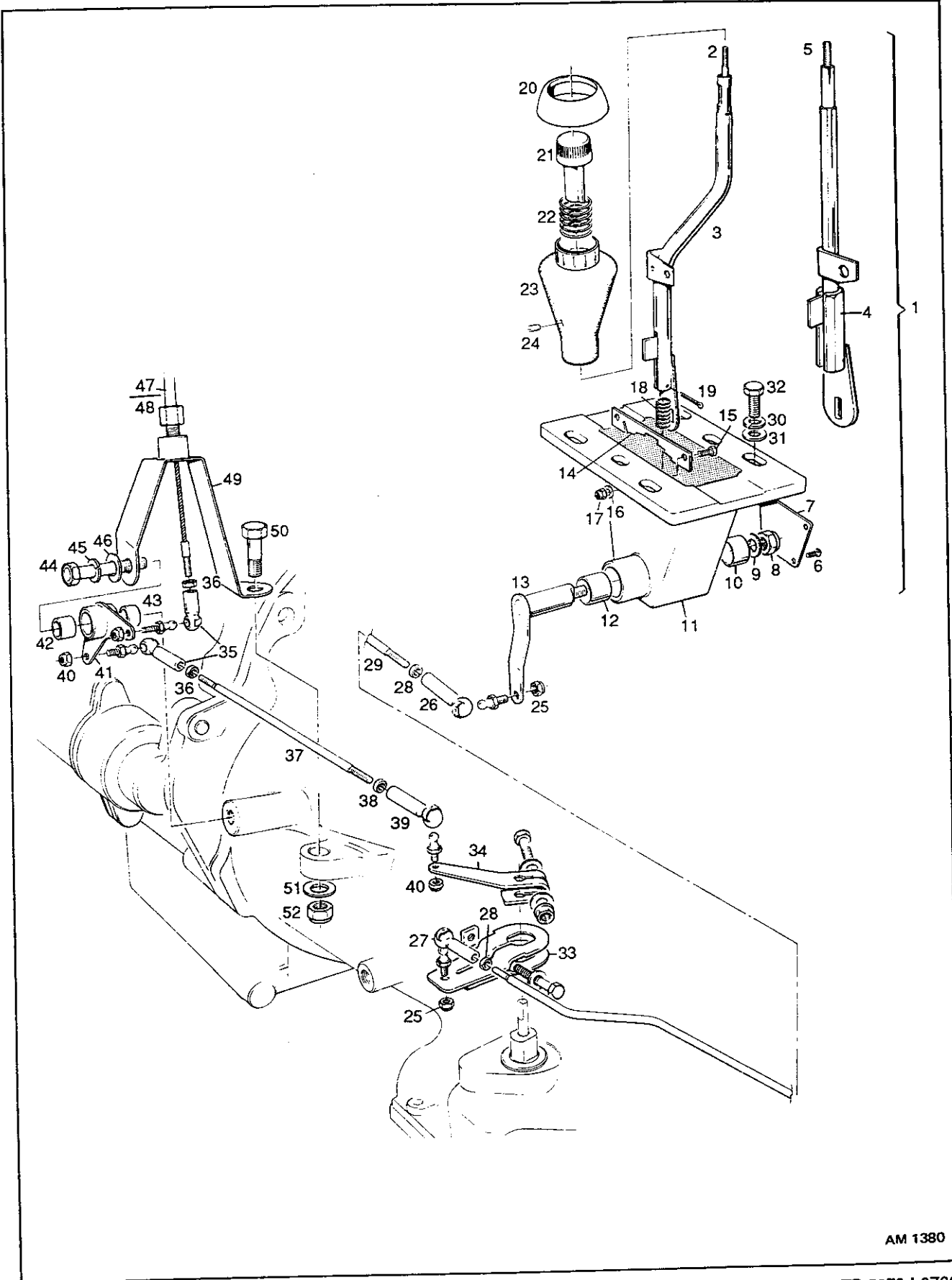
#### Gearbox Cooling

Illus No.	Part Number	Description	Qty	Remarks
<b>11 and 13 Row System</b>				
1	069.044.0100	Oil cooler, 11 row, 1/2in. BSP	1	
-	42.19145	Oil cooler, 13 row, 1/2in. BSP	1	
2	42.10990	Mounting assembly, 11 row	2	
-	42.19124	Mounting assembly, 13 row	2	
3	692088	Screw, M6x 16	8	} Bracket to chassis and oil cooler to brackets Oil cooler to brackets Also requires 4 off each Item 3,4 and 5 bracket to chassis
4	692056	Washer, plain, M6	8	
5	692046	Washer, spring, M6	8	
6	692213	Screw, M8 x 12	4	
7	692057	Washer, plain, M8	4	
8	692047	Washer, spring, M8	4	
		} 13 row system		
9	42.10820	Pipe, short	1	
10	42.10821	Pipe, long	1	
11	42.10822	Hose	2	Oil cooler feed and return
12	069.032.0138	Clip	2	Feed and return hoses
-	123145	Rivnut	2	
13	690384	Screw	2	Clips to chassis
14	081.031.0017	Pipe assembly	1	
15	081.031.0015	Pipe assembly	1	
16	081.031.0898	Union, double-ended	2	
17	33.17214	Pipe bracket assembly	1	
18	020.030.0156	Clip	4	
-	122315	Nut, Nyloc, 2BA	2	
19	081.031.0026	Pipe bracket assembly	1	
<b>18 Row System</b>				
20	44.16813	Oil cooler, 1/2in. BSP	1	
21	42.20977	Mounting assembly	2	Early cars M8. Later cars M6
22	692088	Screw, M6 x 16	4	} Bracket to chassis
23	692056	Washer, plain, M6	4	
24	692046	Washer, spring, M6	4	
25	42.20974	Hose, 1000mm	1	
26	42.20975	Hose, 1255mm	1	
27	020.037.0188	Clip	2	Feed and return hose
-	692251	Bear nut, M5	2	
-	692045	Washer, spring, M5	2	
28	692005	Screw, M5 x 16	2	Clips to chassis
29	42.20984	Pipe assembly	1	
30	42.20985	Pipe assembly	1	
31	081.031.0898	Union, double-ended	2	
32	42.20981	Pipe bracket assembly	1	Carburettor engines
-	42.25226	Pipe bracket assembly	1	EFI engines
33	020.030.0156	Clip	4	
34	122315	Nut, Nyloc, 2BA	2	
35	42.20979	Pipe bracket assembly	1	
36	692213	Screw, M8 x 12	4	} Oil cooler to brackets Early cars
37	692047	Washer, spring, M8	4	
38	692057	Washer, plain, M8	4	} Oil cooler to brackets Later cars
-	692088	Screw, M6 x 16	4	
-	692046	Washer, spring, M6	4	
-	692056	Washer, plain, M6	4	
39	42.22495	Mounting bracket	2	
40	692088	Screw, M6 x 16	4	} Cars from chassis no. 13540
41	692056	Washer, plain, M6	6	
42	692076	Nut, M6	4	

# TRANSMISSION

## Automatic Transmission

### Gear Selector Assembly



AM 1380

TP 5079-I-0789



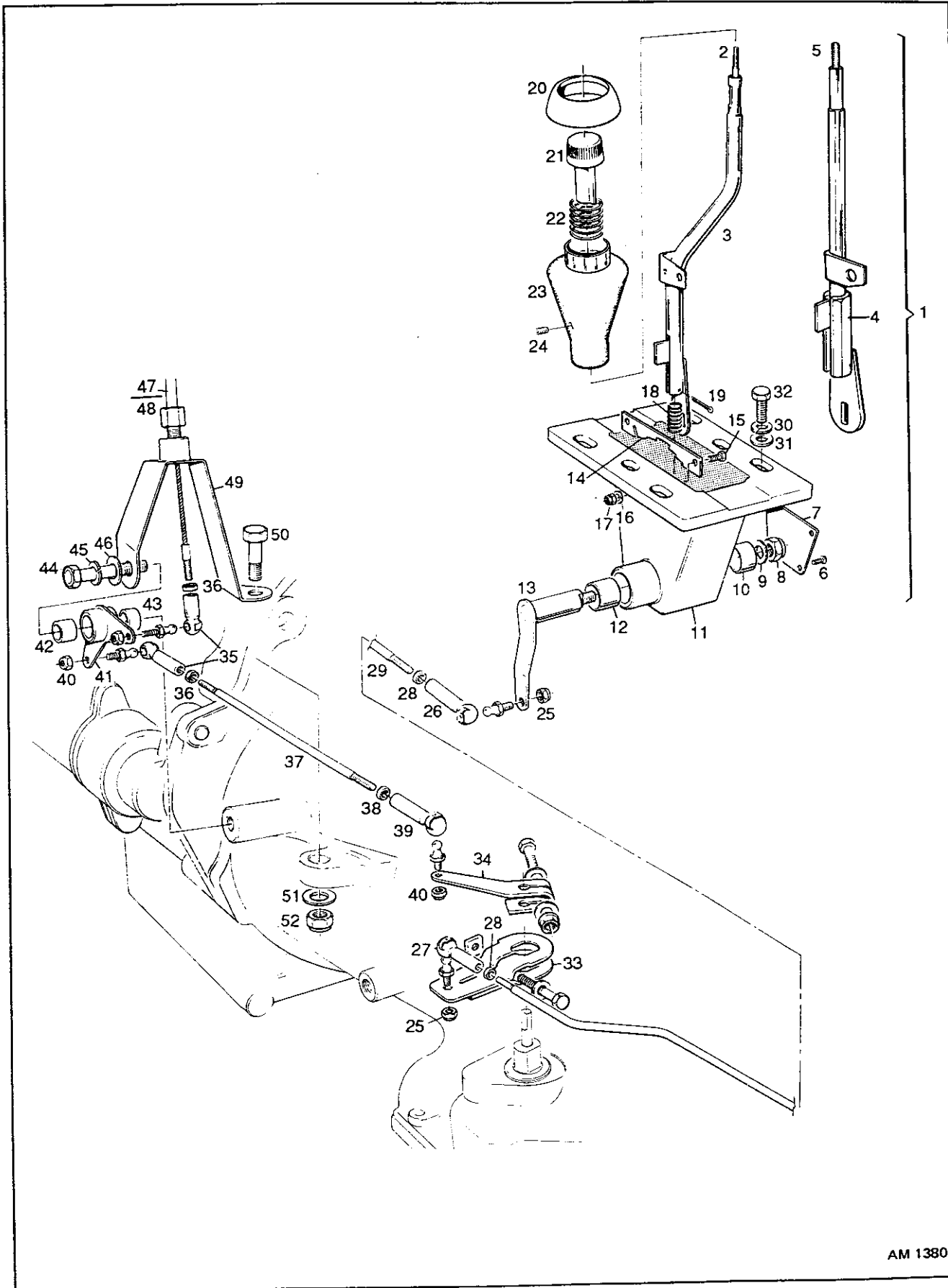
**TRANSMISSION**  
**Automatic Gearbox**  
**Gear Selector Assembly**

Illus No.	Part Number	Description	Qty	Remarks
1	42.15712	Gearchange housing assembly, RHD	1	} Curved lever
-	42.15713	Gearchange housing assembly, LHD	1	
-	42.17381	Gearchange housing assembly, RHD and LHD	1	
2	42.13717	Gear lever cable	1	} Straight lever. From Chassis No. 13135
3	42.13683	Gear lever assembly, RHD	1	
-	42.15705	Gear lever assembly, LHD	1	} Curved levers. State if for wood or leather-trimmed knobs (RHD only)
4	42.17344	Gear lever straight, RHD and LHD	1	
5	42.17348	Gear lever pawl	1	} From Chassis No.13135
6	691452	Screw, Taptite, 8-32 x 5/16in.	4	
7	081.031.0105	Cover plate	1	
8	690046	Locknut, 1/4in. UNF	1	
9	119470	Washer, plain, 1/4in.	1	
10	691096	Bush, 1/2in. x 5/8in.	1	
11	42.13509	Gear change housing	1	
12	691095	Bush 1/2in. x 1/2in.	1	
13	081.031.0014	Lever assembly	1	
-	081.031.0106	Spindle	1	
-	081.031.0107	Lever	1	
14	42.16579	Ratchet	1	Countersunk from 1982
15	691338	Screw, 2BA x 3/4in. long	2	
-	112185	Screw, 2BA x 3/4in. long, RSD HD	2	From 1982
16	122422	Washer, plain, 2BA	2	
17	690484	Nut, Nyloc, 2BA	2	
18	081.031.0115	Spring	1	
19	691302	Split pin, 5/64in. dia x 3/4in.	1	
-	42.14254	Wood trim	1	Early cars
20	87.13395	Wood trim	1	Later cars
-	081.031.0128	Button, black	1	Early cars
21	096.031.0122	Button, silver	1	Later cars
22	081.031.0127	Spring	1	
-	081.031.0126	Gear lever knob	1	Early cars
-	096.031.0004	Gear lever knob, leather covered	1	Later cars. State colour required
23	096.031.0121	Gear lever knob, untrimmed	1	Later cars
24	081.031.0124	Grub screw, 10-24 UNC x 1/4in. long	1	Cars up to 1989
-	693750	Grub screw, M4 x 6	1	Cars from 1989
-	42.13686	Gear change contacts, RHD, 3 11/16in. long	1	} Early cars
-	42.15708	Gear change contacts, LHD, 3 11/16in. long	1	
-	42.16580	Gear change contacts, RHD, 4 1/4in. long	1	} Later cars
-	42.16581	Gear change contacts, LHD, 4 1/4in. long	1	
-	42.17500	Gear change contacts, 4 1/4in. long	1	} From Chassis No. 13135
-	37.19148	Blue wiring plug	1	
-	692347	Contact switch	1	} Early cars
-	582.000.2829	Rivet	1	
-	069.090.0001	Contact switch	1	} Later cars
-	542005	Locknut	1	
25	690484	Nut, Nyloc, 2BA	2	
26	691626	Ball joint, 2BA, RH, long	1	
27	125525	Ball joint, 2BA, RH	1	
28	112941	Locknut, 2BA, RH	2	
29	42.14087	Control rod	1	
30	692046	Washer, spring, M6	4	

# TRANSMISSION

## Automatic Transmission

### Gear Selector Assembly



AM 1380





**TRANSMISSION**  
**Automatic Gearbox**  
**Gear Selector Assembly**

Illus No.	Part Number	Description	Qty	Remarks
31	692056	Washer, plain, M6	4	Gearchange housing/tunnel
32	692146	Bolt, M6 x 20	4	
-	691342	Kelseal, air-drying neporene	as reqd	
33	42.16855	Manual control lever assembly	1	Up to Chassis No. 13029
34	096.031.0106	Kickdown lever	1	From Chassis No. 13030
-	42.14533	Kickdown lever	1	
35	125525	Ball joint, 2BA, RH	2	
36	112941	Locknut, 2BA, RH	2	Up to Chassis No. 13029
37	096.031.0102	Kickdown rod	1	From Chassis No. 13030
-	42.14534	Kickdown rod	1	
38	110980	Locknut, 2BA, LH	1	
39	125526	Ball joint, 2BA, LH	1	
40	122315	Nut, Nyloc, 2BA	3	
41	096.031.0001	Kickdown bellcrank	1	
42	081.031.0146	Bush, inner	1	
43	690672	Bush, outer	1	Apply between bushes
-	692510	Wedex anti-sieze compound	as reqd	
44	510610	Screw, 3/8in. UNC x 1 1/4in. long	1	
45	119482	Washer, spring, 3/8in.	1	
46	119472	Washer, plain, 3/8in.	1	Carburettor cars
47	096.031.0101	Kickdown cable	1	On rear carburettor
-	069.034.0117	Cable clip	1	EFI cars
48	42.21494	Kickdown cable	1	
49	42.14608	Kickdown bracket	1	
50	530810	Screw, 1/2in. UNF x 1 1/4in. long	1	
51	119474	Washer, plain, 1/2in.	1	
52	691147	Nut, Philidas, 1/2in. UNF	1	





# TRANSMISSION

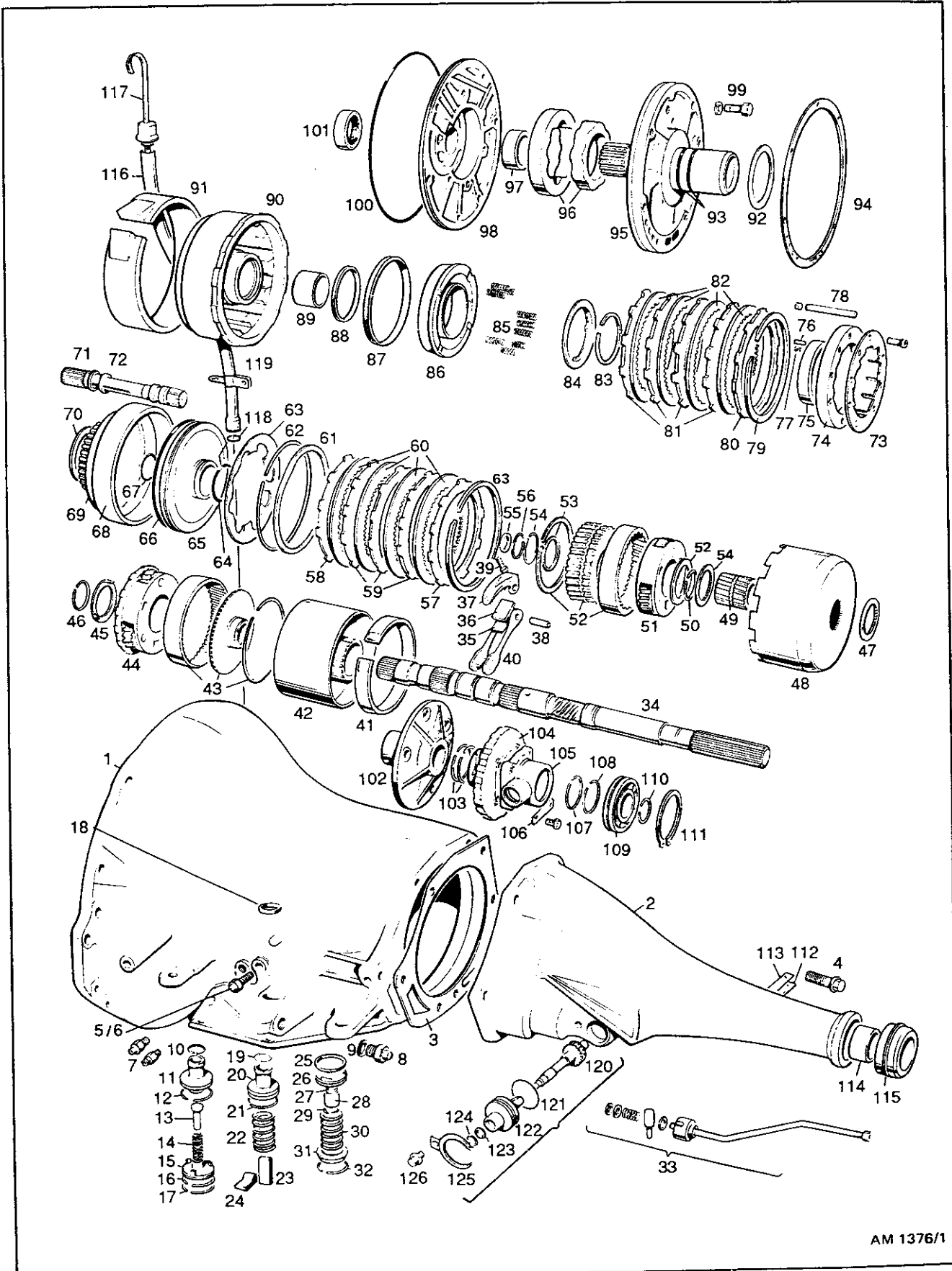
## Automatic Gearbox

### Gearbox Casing and Geartrain

Illus No.	Part Number	Description	Qty	Remarks	
-	690415	Nut, Nyloc, 7/16in. UNF	4	} Gearbox assembly to cylinder block	
-	119473	Washer, plain, 7/16in. UNF	6		
-	500722	Bolt, 7/16in. UNC x 2 3/4in. long	2		
-	119483	Washer, spring, 7/16in.	2		
-	96.17258	Special dowel, 1 1/2in. long	1		
-	42.19512	Automatic transmission assembly, with lock-up	1		
-	42.22727	Automatic transmission assembly	1		
-	091224	Automatic transmission assembly	1		
-	42.23501	Automatic transmission assembly	1		} From Chassis No. 13059 Fitted with shift kit Fitted with lock-up ball Service modification Fitted with lock-up ball (Part of transmission and torque converter assembly Pt. No. 42.23514)
-	096.031.0003	Automatic transmission assembly	1		
1	096.031.0706	Transmission case	1		
2	081.031.0733	Extension, transmission case	1		
3	081.031.0721	Gasket	6		
4	081.031.0734	Screw and lockwasher	1		
5	081.031.0809	Screw, kickdown band adjustment	1		
6	081.031.0883	Nut, kickdown band adjustment screw	2		
7	081.031.0898	Union, oil cooler, return/feed	1		
8	42.16709	Switch, neutral starter/reverse lamp	1		
9	081.031.0887	Washer, switch	1		
10	081.031.0710	Ring, kickdown servo piston, small	1	} Up to Chassis No. 13058	
11	081.031.0825	Piston, kickdown servo	1		
12	081.031.0706	Ring, piston seal, large	1		
13	081.031.0826	Rod, kickdown servo piston	1		
14	081.031.0828	Spring, kickdown servo piston	1		
15	081.031.0827	Guide, kickdown servo	1		
16	081.031.0716	Ring, kickdown servo guide, large	1		
17	081.031.0711	Snap ring, kickdown servo guide	1		
18	081.031.0720	Seal, manual valve shaft	1		
19	081.031.0705	Ring, piston seal, small	1		
20	096.031.0732	Piston, accumulator	1		
21	081.031.0706	Ring, piston seal, large	1		
22	096.031.0733	Spring, accumulator	1		
23	081.031.0807	Strut, kickdown band	1		
24	081.031.0810	Lever, kickdown band	1		
25	081.031.0718	Seal, reverse servo piston	1		
26	081.031.0829	Piston, reverse servo	1		
27	081.031.0830	Spring, reverse servo	1		
28	081.031.0831	Plug, reverse servo	1		
29	081.031.0729	Snap ring reverse servo	1		
30	081.031.0832	Spring, reverse servo	1		
31	081.031.0833	Retainer, reverse servo	1		
32	081.031.0711	Snap ring, piston spring	1		
33	-	Rod assembly, park/lock	1		
-	096.031.0761	'E' ring	1		
34	081.031.0738	Output shaft	1		
35	081.031.0813	Strut, reverse band	1		
36	081.031.0816	Shaft, reverse band	1		
37	081.031.0815	Lever, with stem, reverse band	1		
38	081.031.0817	Shaft, reverse band/lever	1		
39	081.031.0818	Screw, reverse band adjustment	1		

# AUTOMATIC GEARBOX

## Gearbox Casing and Geartrain



AM 1376/1



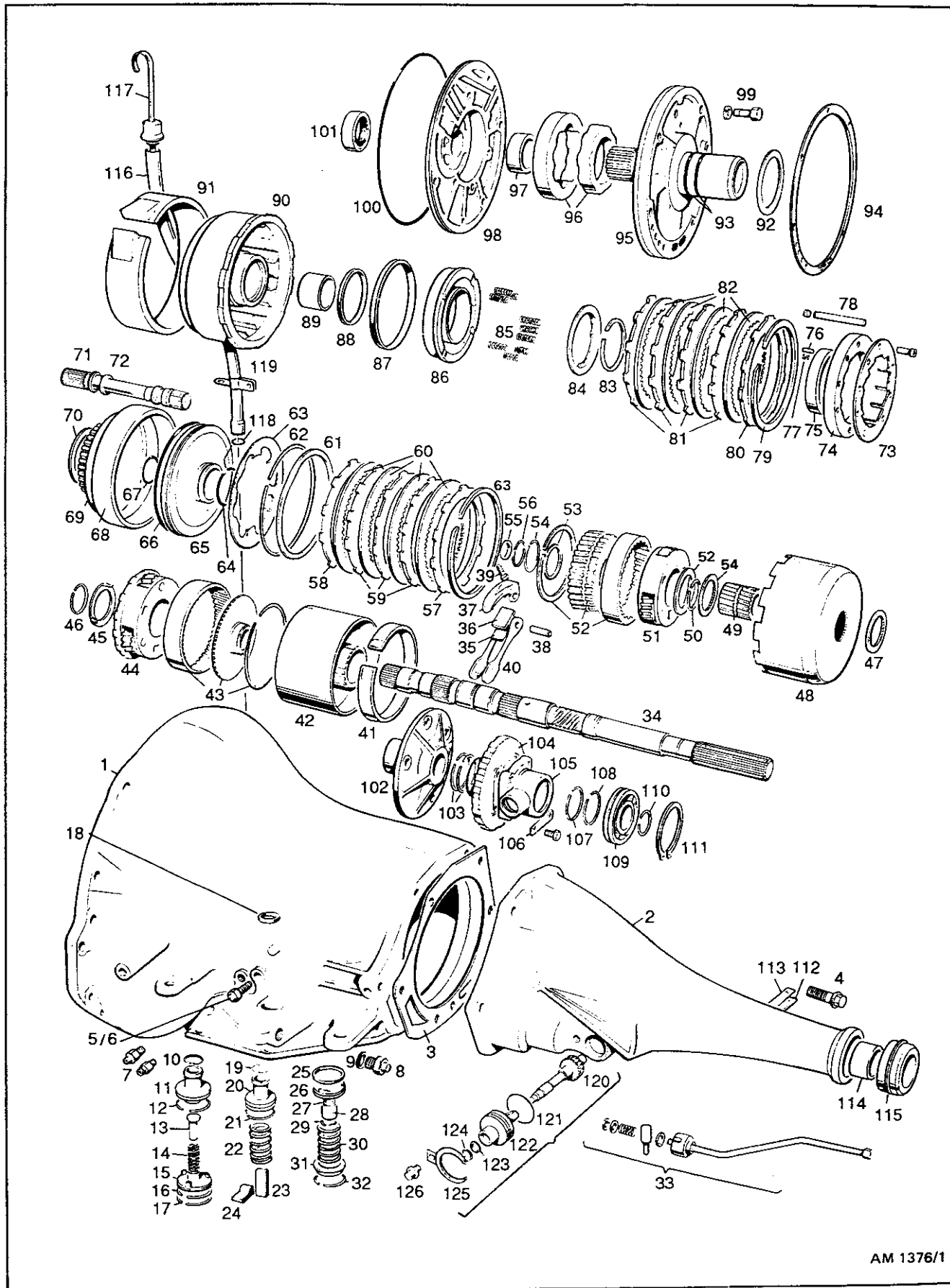
**TRANSMISSION**  
Automatic Gearbox  
Gearbox Casing and Geartrain

Illus No.	Part Number	Description	Qty	Remarks
			1	
40	081.031.0814	Link assembly, reverse band	1	
41	081.031.0812	Reverse band	1	
42	096.031.0730	Drum, reverse	1	
43	081.031.0804	Gear assembly, rear annulus	1	
44	081.031.0796	Carrier assembly, rear	3	
-	081.031.0797	Pinion	3	
-	081.031.0798	Shaft	6	
-	081.031.0799	Washer	91	
-	081.031.0800	Roller	8	
-	081.031.0801	Ring	1	
-	081.031.0802	Washer	2	
45	081.031.0789	Washer, thrust	2	
46	081.031.0787	Snap ring	2	
47	081.031.0788	Plate	1	
48	081.031.0785	Shell, sun gear	1	
49	081.031.0784	Sun gear	as reqd	
50	096.031.0708	Snap ring, 0.048in.	as reqd	
-	096.031.0709	Snap ring, 0.055in.	as reqd	
-	096.031.0710	Snap ring., 0.062in.	1	
51	096.031.0727	Carrier assembly, front	4	
-	081.031.0797	Pinion	4	
-	081.031.0798	Shaft	8	
-	081.031.0799	Washer	92	
-	081.031.0800	Roller	8	
-	081.031.0801	Ring	1	
-	081.031.0802	Washer	1	
52	081.031.0803	Gear assembly, front annulus	1	
53	081.031.0805	Washer	1	
54	081.031.0889	Snap ring	1	
55	081.031.0743	Washer, 0.062in.	1	
56	081.031.0890	Snap ring, front gear support	1	
57	081.031.0782	Pressure plate, rear clutch, front	1	
58	081.031.0781	Pressure plate, rear clutch, rear	3	
59	081.031.0780	Pressure plate, rear clutch	4	
60	081.031.0779	Disc, rear clutch	1	
61	081.031.0776	Retainer, rear clutch piston	as reqd	
62	081.031.0772	Snap ring, 0.060in.	as reqd	
-	081.031.0773	Snap ring, 0.074in.	as reqd	
-	081.031.0774	Snap ring, 0.088in	as reqd	
-	081.031.0775	Snap ring, 0.106in.	1	
63	081.031.0769	Spring plate	1	
64	081.031.0715	Seal, rear clutch piston, outer	1	
65	081.031.0767	Piston rear clutch	1	
66	081.031.0708	Seal, rear clutch piston, inner	1	
67	081.031.0891	Sealing ring	1	
68	081.031.0763	Retainer, rear clutch	1	
69	096.031.0720	Retainer, rear clutch, piston	1	
-	081.031.0707	Ball, rear clutch check valve	1	
-	081.031.0777	Spring, rear clutch, 5 1/2in. OD	1	
-	096.031.0726	Spacer, rear clutch, piston spring	as reqd	
70	081.031.0791	Thrust washer, green, 0.061in.	as reqd	
-	081.031.0792	Thrust washer, red, 0.084in.	as reqd	
-	081.031.0793	Thrust washer, yellow, 0.106in.	1	
71	081.031.0756	Input shaft		

Up to Chassis No.13058

# AUTOMATIC GEARBOX

## Gearbox Casing and Geartrain



AM 1376/1

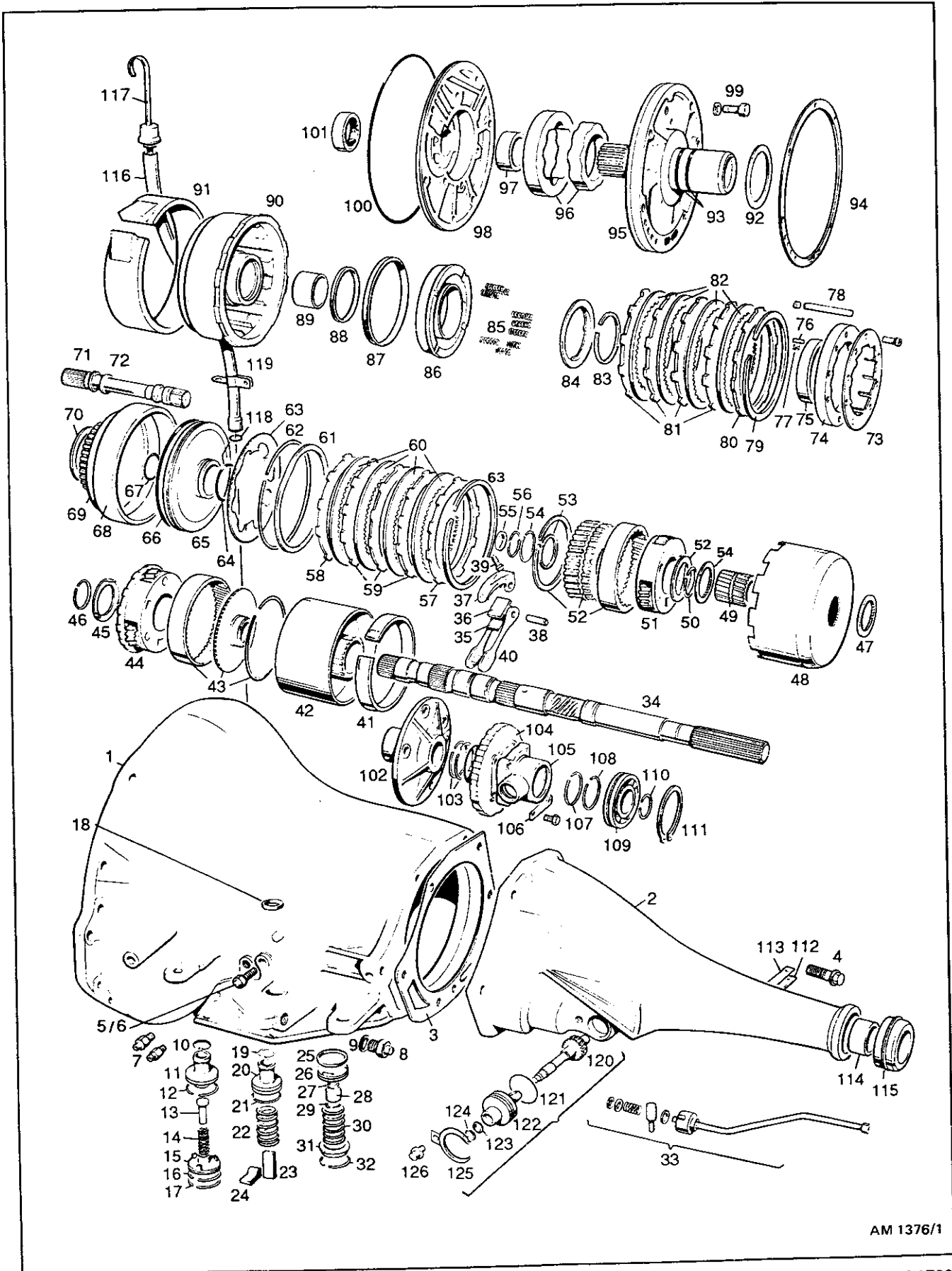


**TRANSMISSION**  
**Automatic Gearbox**  
**Gearbox Casing and Geartrain**

Illus No.	Part Number	Description	Qty	Remarks
			2	
72	081.031.0724	Ring, input shaft	1	Up to Chassis No. 13058
-	096.031.0715	Bush, input shaft	1	
73	081.031.0822	Retainer	1	
74	081.031.0820	Cam	1	
75	096.031.0731	Race	12	
76	081.031.0823	Roller	12	
77	081.031.0824	Spring	1	
78	081.031.0811	Shaft, kickdown band lever	1	
79	096.031.0723	Snap ring, 0.060in.	1	
80	081.031.0781	Pressure plate, front clutch	4	
81	081.031.0780	Pressure plate, front clutch	4	
82	081.031.0778	Disc, front clutch	1	
83	081.031.0892	Snap ring	1	
84	081.031.0770	Retainer	1	
-	081.031.0771	Ball, check valve	9	
85	081.031.0768	Spring	1	
86	096.031.0722	Piston, front clutch	1	
87	096.031.0703	Seal, front clutch piston, outer	1	
88	096.031.0702	Seal, front clutch piston, inner	1	
89	081.031.0765	Bush retainer	1	
90	081.031.0762	Retainer, front clutch	1	
91	081.031.0806	Kickdown band	as reqd	
92	081.031.0791	Thrust washer, green, 0.061in.	as reqd	
-	081.031.0792	Thrust washer, red, 0.084in.	as reqd	
-	081.031.0793	Thrust washer, yellow, 0.016in.	2	
93	081.031.0712	Sealing ring	1	
-	081.031.0761	Bush	1	
94	081.031.0703	Gasket	1	
95	096.031.0716	Reaction shaft	1	
96	081.031.0759	Large ball, 11/32in.	1	
-	096.031.0717	Baffle plate	1	
97	081.031.0749	Bush	1	
98	096.031.0712	Housing	1	
-	081.031.0751	Shield, front pump housing	1	
-	096.031.0713	Plug vent shield	7	
99	081.031.0750	Screw and lockwasher	1	
100	081.031.0702	Seal, front pump housing	1	
101	081.031.0701	Oil seal	1	
102	081.031.0742	Support, output shaft	2	
103	081.031.0709	Ring	1	
104	081.031.0895	Support governor	1	
105	081.031.0732	Governor assembly	2	
106	081.031.0896	Lock plate	1	
107	081.031.0897	Snap ring	1	
108	081.031.0741	Ring	1	
109	081.031.0739	Bearing, output shaft	as reqd	
110	096.031.0708	Snap ring, 0.048in.	as reqd	
-	096.031.0709	Snap ring, 0.055in.	as reqd	
-	096.031.0710	Snap ring, 0.062in.	1	
111	081.031.0740	Snap ring, outer	1	
112	081.031.0735	Inspection cover, output shaft bearing	1	
113	081.031.0731	Gasket		

**AUTOMATIC GEARBOX**

**Gearbox Casing and Geartrain**



AM 1376/1





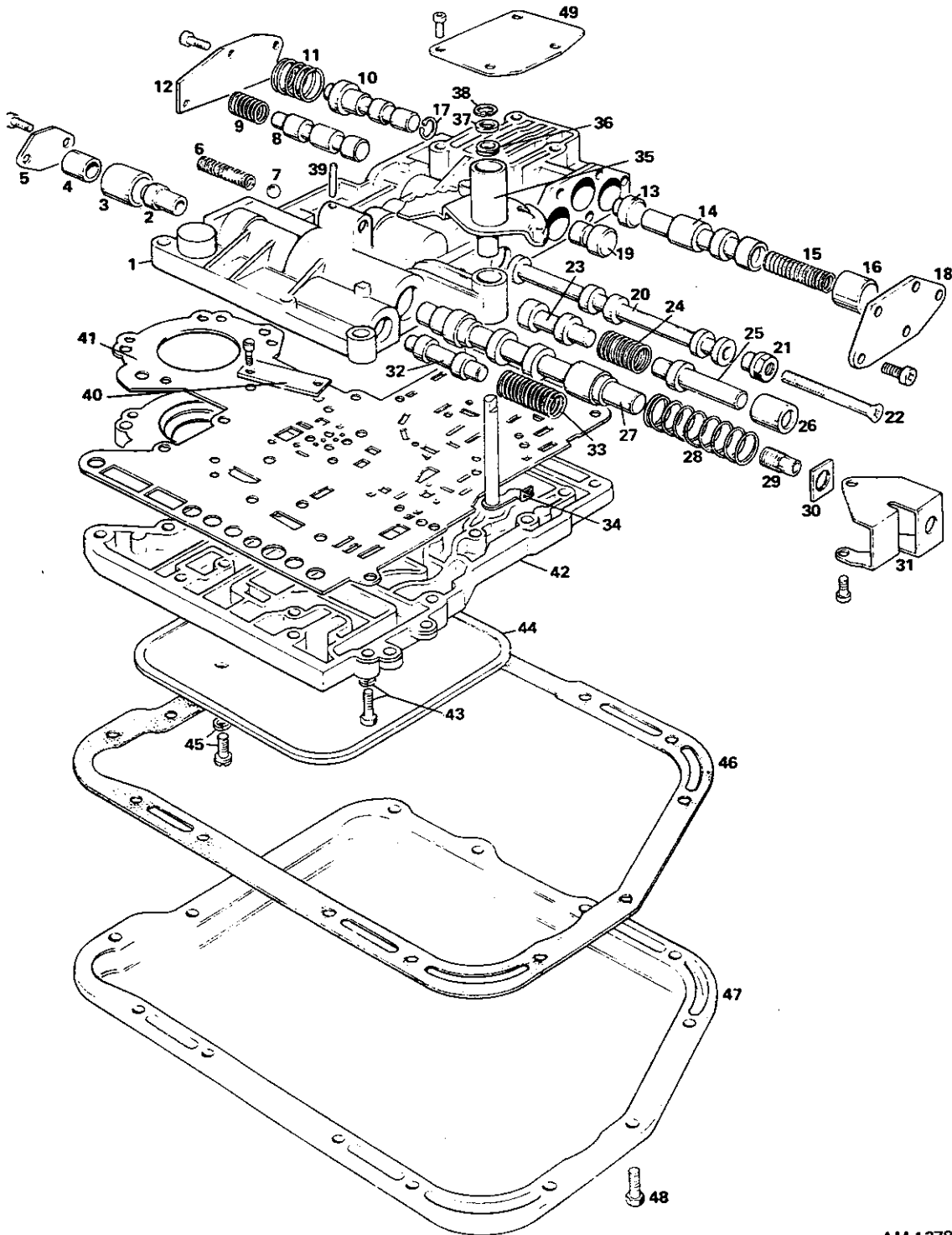
**TRANSMISSION**  
**Automatic Gearbox**  
**Gearbox Casing and Geartrain**

Illus No.	Part Number	Description	Qty	Remarks
-	081.031.0736	Screw, inspection cover	2	} Up to Chassis No.13058
114	081.031.0737	Bush	1	
115	081.031.0717	End seal	1	
-	42.16705	Gasket kit, auto gearbox	1	
-	42.19417	Shift kit, auto gearbox	1	
		The following items are not part of the gearbox assembly:		Later cars
116	42.21790	Dipstick tube	1	} Later cars
117	081.031.0008	Dipstick	1	
-	42.21750	Dipstick (extended handle)	1	
118	096.031.0135	Tube sealing ring	1	All European cars. USA cars up to 1983, 3.07:1 hypoid USA cars, 3.54:1 hypoid from 1983; Swiss cars from chassis no. 13560 (1988); Japanese cars from 1988
119	020.007.0158	Tube support bracket	1	
120	31.13352	Drive pinion, speedometer, 29 teeth, black	1	
-	42.19416	Drive pinion, speedometer, 33 teeth, yellow	1	
121	081.031.0130	'O' ring	1	
122	081.031.0129	Adaptor	1	
123	081.031.0131	Seal adaptor	1	
124	081.031.0132	Ring	1	
125	081.031.0133	Clamp	1	
126	081.031.0134	Screw and washer	1	

# TRANSMISSION

## Automatic Transmission

### Valve Body, Sump and Propshaft



AM 1378



## TRANSMISSION

## Automatic Gearbox

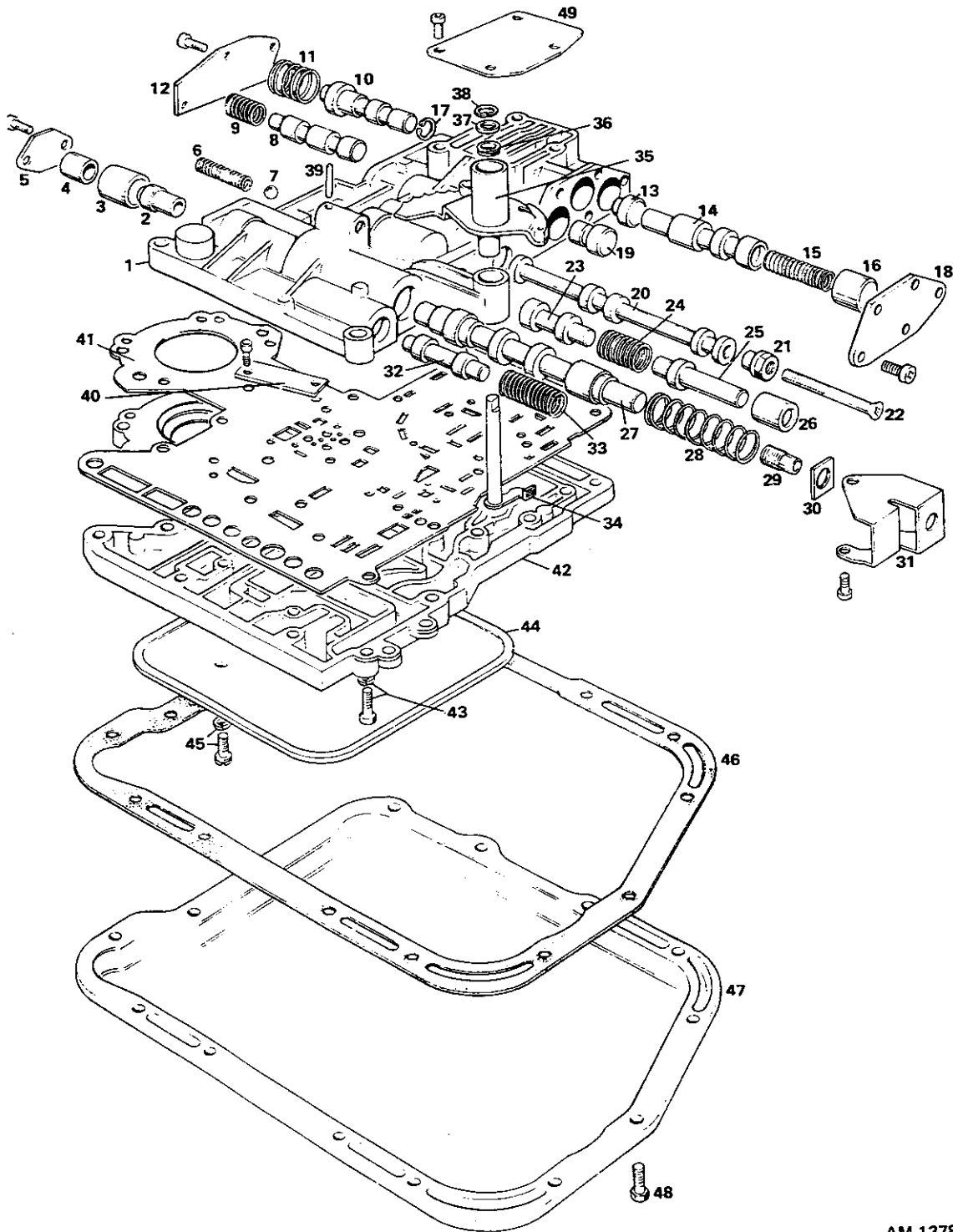
## Valve Body, Sump and Propshaft

Illus No.	Part Number	Description	Qty	Remarks
Parts up to Illus. No. 49 are for use on cars up to Chassis No. 13058				
1	096.031.0734	Valve body	1	
-	081.031.0837	Ball, small, check valve	5	
-	081.031.0838	Ball, large, check valve	1	
2	081.031.0848	Plug, throttle pressure valve	1	
3	081.031.0850	Sleeve	1	
4	081.031.0849	Valve, line pressure	1]	
5	081.031.0874	Cover	1	
6	081.031.0841	Spring, manual valve lever	1	
7	081.031.0884	Ball, 11/32in.	1	
8	096.031.0749	Valve, 1 - 2 shift	1	
9	081.031.0870	Spring, 1 - 2 shift	1	
10	096.031.0751	Valve, 2 - 3 shift	1	
11	081.031.0871	Spring, 2 - 3 shift	1	
12	081.031.0877	Cover	1	
13	096.031.0752	Governor plug, 2 - 3 shift valve	1	
14	096.031.0744	Shuttle valve	1	
15	096.031.0746	Spring, shuttle valve, primary	1	
-	096.031.0747	Spring, shuttle valve, secondary	1	
16	096.031.0745	Plug, shuttle valve	1	
17	081.031.0864	Snap ring, shuttle valve	1	
18	081.031.0876	Cover	1	
19	096.031.0750	Governor plug, 1 - 2 shift	1	
20	081.031.0839	Manual valve	1	
-	081.031.0720	Seal, manual valve	1	
21	081.031.0858	Nut, throttle pressure adjusting screw	1	
22	096.031.0743	Screw, throttle pressure adjusting	1	
23	081.031.0842	Throttle valve	1	
24	081.031.0843	Spring, throttle valve	1	
25	081.031.0860	Kickdown valve	1	
26	081.031.0861	Plug, kickdown	1	
27	081.031.0851	Regulator valve	1	
28	096.031.0740	Spring, regulator valve	1	
-	081.031.0853	Spring, pressure relief valve	1	
-	081.031.0854	Ball, 3/8in., pressure relief	1	
29	081.031.0856	Screw, line pressure adjusting	1	
30	081.031.0859	Nut, line pressure adjusting screw	1	
31	081.031.0855	Retainer, regulator spring	1	
32	081.031.0872	Valve, torque converter control	1	
33	081.031.0873	Spring, torque converter control	1	
34	096.031.0738	Lever, throttle valve	1	
35	096.031.0736	Lever, manual valve	1	
36	081.031.0719	Seal, 11/16in. OD, throttle lever shaft	1	
37	081.031.0845	Washer, throttle lever shaft	1	
38	081.031.0846	Snap ring, throttle lever shaft	1	
39	081.031.0844	Pin, manual valve lever spring	1	
40	096.031.0759	Support, transfer plate	1	
41	096.031.0757	Plate, valve body	2	
42	096.031.0758	Plate, transfer	14	
43	081.031.0880	Screw and lockwasher		

# TRANSMISSION

## Automatic Transmission

### Valve Body, Sump and Propshaft



AM 1378

# TRANSMISSION

## Automatic Gearbox

### Valve Body, Sump and Propshaft

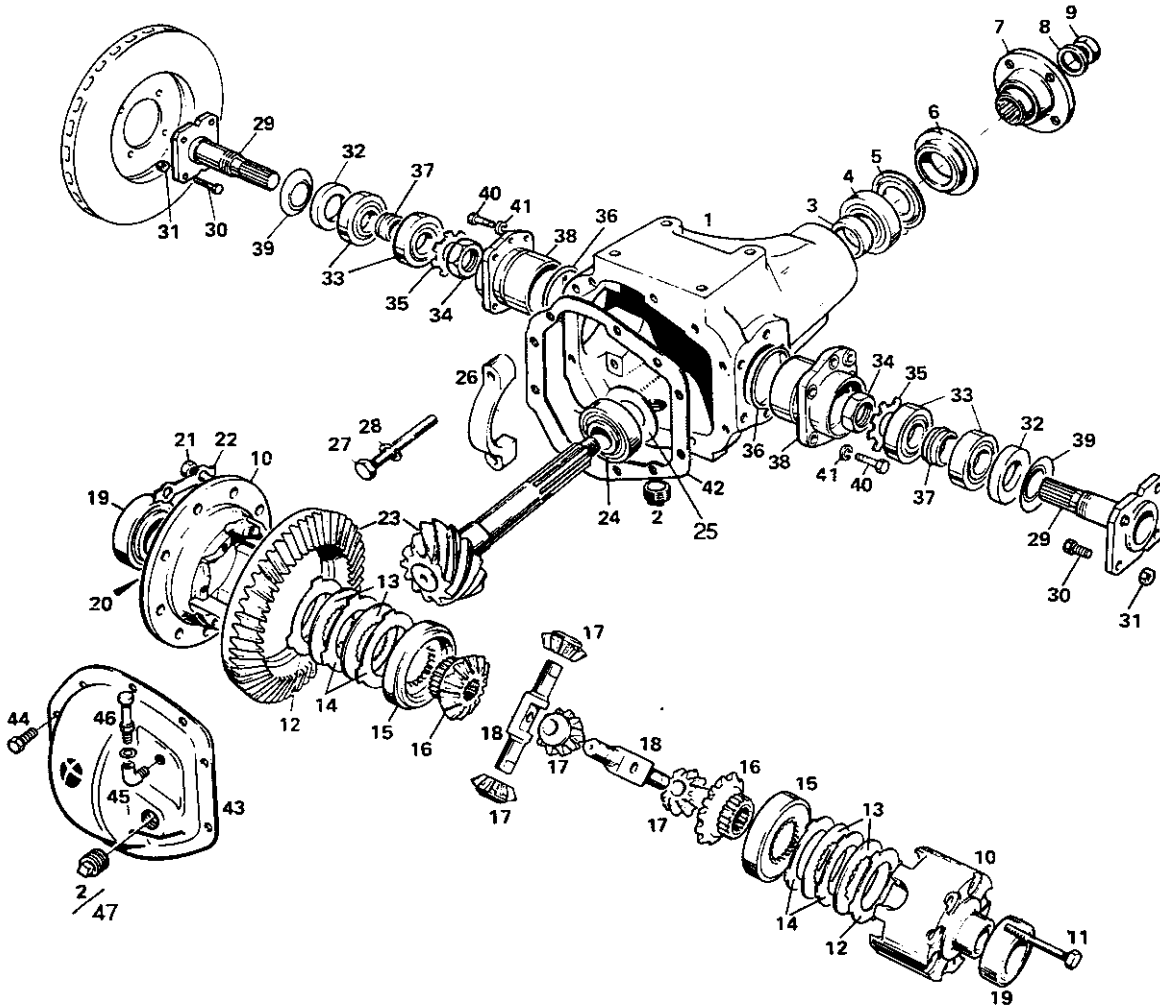


Illus No.	Part Number	Description	Qty	Remarks
44	093.031.0701	Oil strainer	1	
45	081.031.0745	Screw and lockwasher	3	
46	081.031.0730	Gasket	1	
47	096.031.0714	Sump assembly	14	
48	081.031.0754	Screw	1	
49	081.031-0875	Cover	1	
-	31.10810	Propshaft, incorporating slipshaft	4	Propshaft to final drive
-	690154	Nut, Nyloc, 7/16in. UNF	4	
-	31.17747	Bolt, 7/16in. UNF	4	

TRANSMISSION

Hypoid Unit

Limited Slip Differential



AM 1379/1



# TRANSMISSION

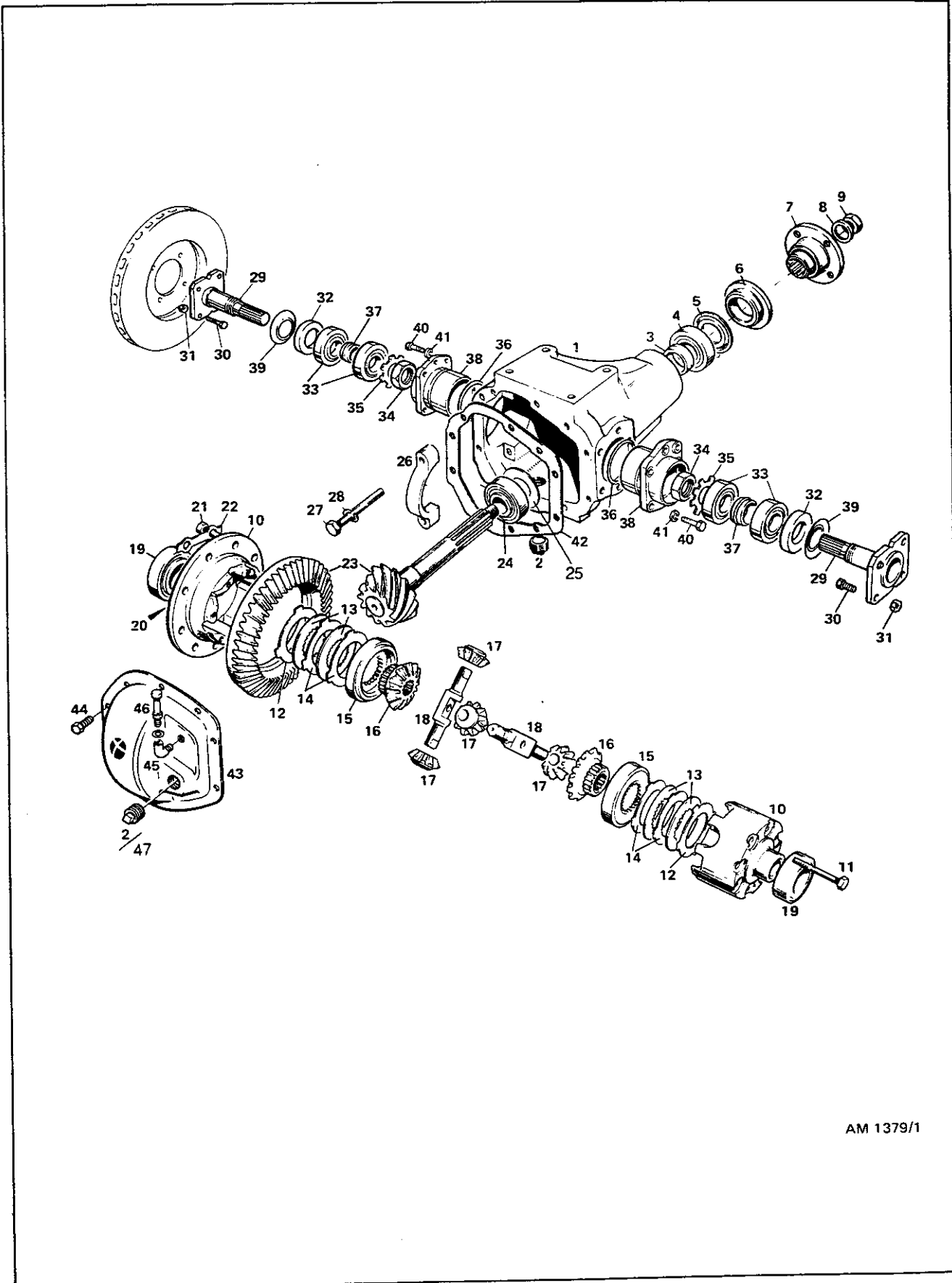
## Hypoid Unit Limited Slip Differential

Illus No.	Part Number	Description	Qty	Remarks
-	008175	Oil Additive	1	
-	096.026.0008	Differential unit assembly, 3.07:1	1	Early cars. Use 26.23494
-	26.19104	Differential unit assembly, 3.058:1	1	From mid 1981. Use 26.23494
-	26.23494	Differential unit assembly, 3.06:1	1	From mid 1986
-	095.026.0008	Differential unit assembly, 3.54:1	1	USA cars from 1983; Swiss cars from 13560 (1988)
-	-	Differential housing	1	Japanese cars from 1988
1	-	Drain and filler plug	2	Up to mid 1986
2	020.026.0721	Drain plug	1	From mid 1986
-	26.23497	Collapsible spacer	1	
3	092.026.0710	Pinion taper roller bearing, outer	1	
4	26.19090	Pinion oil slinger	1	
5	068.026.0707	Pinion oil seal	1	
6	26.19091	Drive flange	1	
7	095.026.0103	Washer, pinion nut	1	
8	095.026.0703	Nut	1	
9	020.026.0762	Differential case assembly (2 halves)	1	From mid 1985
10	095.026.0704	Differential case assembly (2 halves)	1	From mid 1986
-	96.22210	Differential case assembly (2 halves)	1	
-	26.23496	Bolt, differential case	8	
11	020.026.0776	Belleville clutch plate	2	
12	095.026.0705	Clutch friction disc	4	
13	020.026.0781	Tagged clutch plate	4	
14	095.026.0706	Side gear ring	2	
15	068.026.0705	Side gear	2	
16	068.026.0734	Mating pinion	4	
17	020.026.0782	Pinion shaft	2	
18	020.026.0783	Differential taper roller bearing	2	
19	020.026.0705	Shim, differential bearing, 0.003 in.	as reqd	} Up to mid 1985
20	020.026.0706	Shim, differential bearing, 0.005 in.	as reqd	
-	020.026.0707	Shim, differential bearing, 0.010 in.	as reqd	
-	020.026.0708	Shim, differential bearing, 0.010 in.	as reqd	
-	020.026.0709	Shim, differential bearing, 0.030 in.	as reqd	
-	96.22197	Shim, differential bearing, 0.028 in.	as reqd	
-	96.22198	Shim, differential bearing, 0.030 in.	as reqd	
-	96.22199	Shim, differential bearing, 0.031 in.	as reqd	
-	96.22200	Shim, differential bearing, 0.032 in.	as reqd	
-	96.22201	Shim, differential bearing, 0.033 in.	as reqd	
-	96.22202	Shim, differential bearing, 0.034 in.	as reqd	} From mid 1985
-	96.22203	Shim, differential bearing, 0.035 in.	as reqd	
-	96.22204	Shim, differential bearing, 0.036 in.	as reqd	
-	96.22205	Shim, differential bearing, 0.037 in.	as reqd	
-	96.22206	Shim, differential bearing, 0.038 in.	as reqd	
-	96.22207	Shim, differential bearing, 0.039 in.	as reqd	
-	96.22208	Shim, differential bearing, 0.040 in.	as reqd	
-	96.22209	Shim, differential bearing, 0.045 in.	as reqd	
21	020.026.0724	} Crownwheel to differential case	10	} Up to mid 1983
22	020.026.0725		5	
-	26.19105		10	From mid 1983
23	26.23495	Crownwheel and pinion, 3.06:1 service gear assembly	1	} USA cars from 1983; Swiss cars from 13560 (1988)
-	095.026.0707	Crownwheel and pinion, 3.54:1 service gear assembly	1	
24	080.026.0007	Pinion taper roller bearing, inner	1	

# TRANSMISSION

## Hypoid Unit

### Limited Slip Differential



AM 1379/1





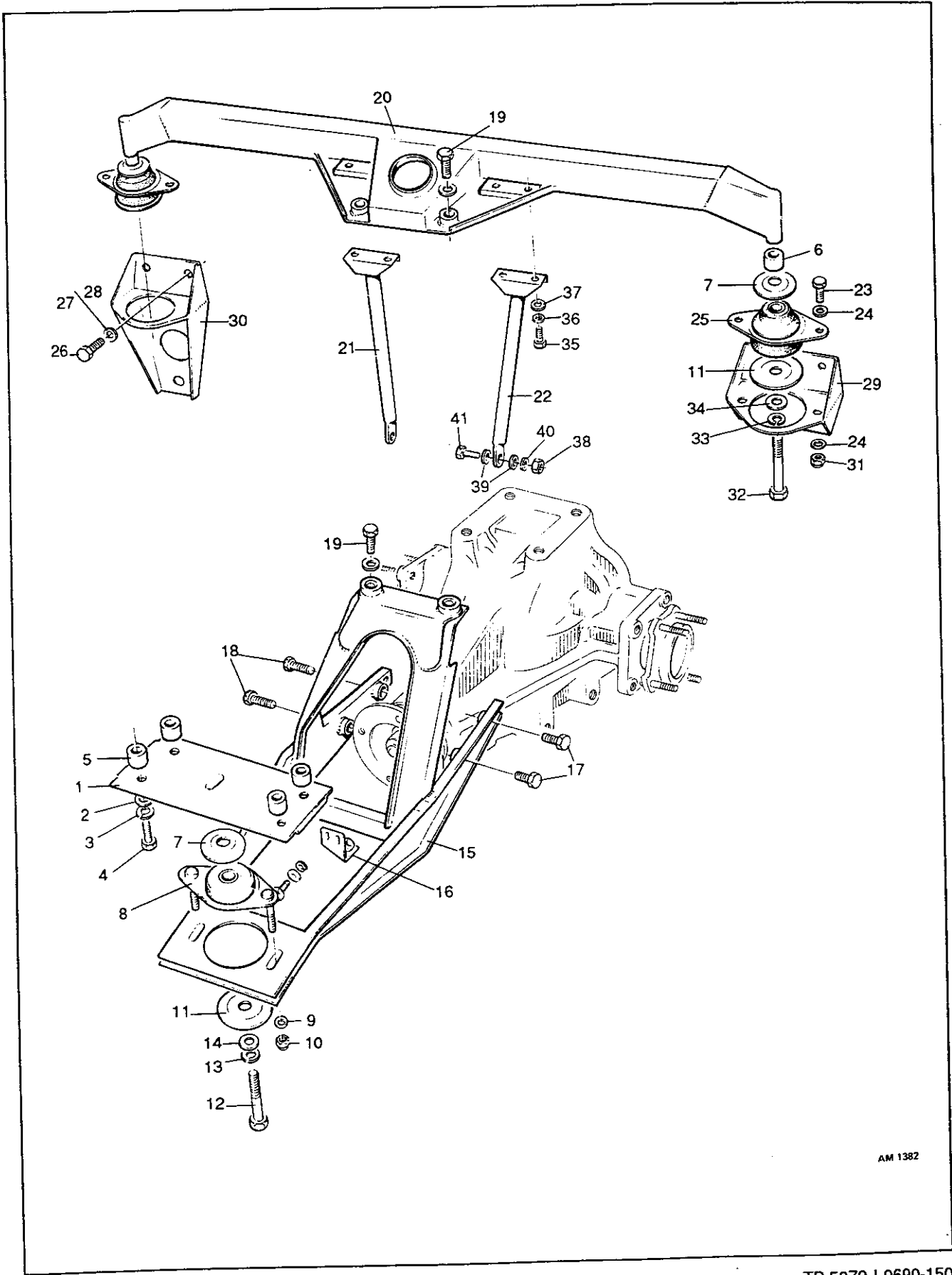
**TRANSMISSION**  
**Hypoid Unit**  
**Limited Slip Differential**

Illus No.	Part Number	Description	Qty	Remarks
25	020.026.0733	Shim, pinion bearing, inner (0.003 in.)	as reqd	
-	020.026.0734	Shim, pinion bearing, inner (0.005 in.)	as reqd	
-	020.026.0735	Shim, pinion bearing, inner (0.010 in.)	as reqd	
26	020.026.0704	Cap, differential bearing	2	
27	020.026.0763	Bolt	2	Up to mid 1981
28	048.026.0794	Lockwasher	4	From mid 1981
-	26.19103	Lockwasher	4	Up to mid 1981
29	095.026.0710	Output shaft	2	From mid 1981 to mid 1985
-	26.19094	Output shaft	2	From mid 1985
-	96.22215	Output shaft and bolts assembly	8	Up to mid 1981
30	095.026.0711	Bolt	8	From mid 1981
-	26.19095	Bolt	8	} Use with new driveshafts From 13347
31	068.026.0714	Nut	8	
-	692425	Nut clevlock 7/16 in. UNF	8	
-	119473	Washer plain 7/16 in.	as reqd	
-	692576	Loctite	2	
32	095.026.0712	Oil seal	4	
33	095.026.0713	Taper roller bearing	2	
34	095.026.0714	Locknut	2	Up to mid 1985
35	092.026.0705	Lockwasher single locating tag	2	From mid 1985
-	96.22213	Lockwasher, 2 locating tags	2	
36	095.026.0715	'O' ring	2	
37	095.026.0716	Collapsible spacer	1	Up to mid 1981
38	095.026.0717	Bearing housing, LH	1	Up to mid 1981
-	095.026.0718	Bearing housing, RH	1	} From mid 1981
-	26.19097	Bearing housing, LH	1	
-	26.19098	Bearing housing, RH	2	
39	26.19099	Oil thrower	10	} Up to mid 1986 From mid 1986
40	092.026.0719	Bolt	10	
41	092.026.0720	Washer, spring	10	
-	26.23500	Bolt	1	
42	020.026.0764	Gasket, rear cover	1	
43	068.026.0709	Rear cover assembly	10	
44	26.19102	Bolt and washer, rear cover/casing	1	
45	068.026.0710	Breather elbow	1	
46	069.026.0215	Breather pipe assembly	1	From mid 1986
47	26.23498	Filler plug		

# TRANSMISSION

## Hypoid Unit

### Limited Slip Differential



AM 1382



**TRANSMISSION**  
**Hypoid Unit**  
**Differential Mounting Assembly**

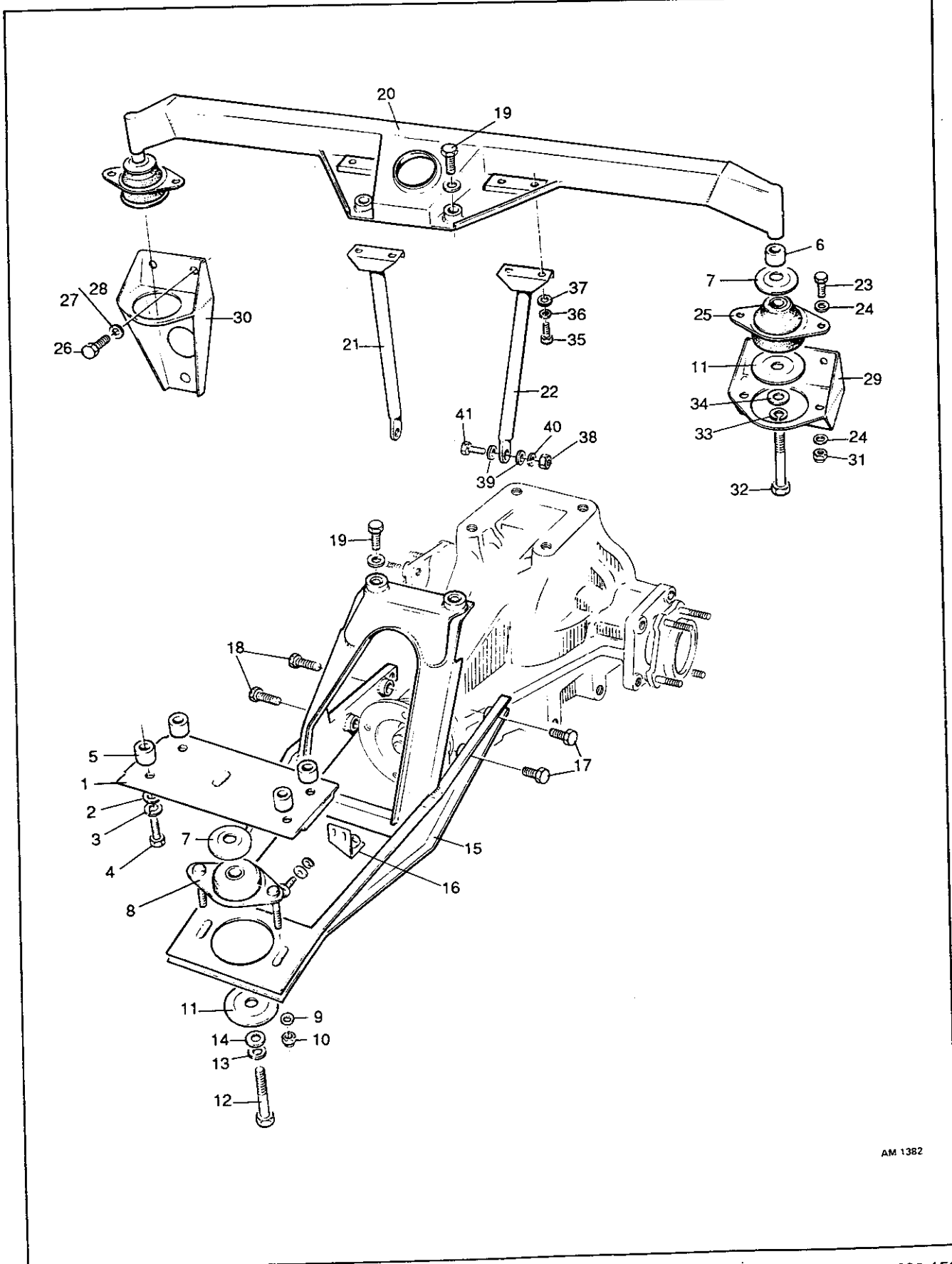
Illus No.	Part Number	Description	Qty	Remarks
-	26.10769	Front hypoid-mounting bracket	1	Early cars
1	26.16484	Front hypoid mounting bracket	1	Later cars
-	26.18798	Front hypoid-mounting bracket	1	Offset diff. from 13292 - 13326 plus 13121
2	692058	Washer, plain, M10	4	
3	692048	Washer, spring, M10	4	Later cars
4	692625	Bolt, M10 x 60	4	Early cars
-	692429	Bolt, M10 x 50	4	Later cars
5	26.15878	Spacer 1/2 in. x 7/8 in. dia. hypoid mounting bracket	2	
6	26.15878	Spacer 1/2 in. x 7/8 in. dia. rear differential mounting	2	Early cars
-	26.13262	Spacer 1/2 in. x 1 in. dia. rear differential mounting	3	
7	068.026.0136	Washer	1	Red
8	26.14857	Metalastik mounting front	2	
9	119471	Washer, plain, 5/16 in.	2	
10	123115	Nut, 5/16 in. UNF nyloc	3	
11	095.026.0141	Washer, bevelled	1	
12	520724	Bolt, 7/16 in. UNF x 3 in.	1	
13	119483	Washer, spring, 7/16 in.	1	
14	119473	Washer, plain, 7/16 in.	1	
15	26.10732	Cantilever assembly, hypoid mounting	1	Offset diff. from 13292 - 13326 plus 13121
-	26.18867	Cantilever assembly, hypoid mounting	1	
16	26.12005	Bracket, cruise control sensor	1	Saudi cars
-	26.19473	Bracket, overspeed sensor	1	Fixed to hypoid cradle beneath propeller shaft flange
-	692146	Screw, M6 x 20	2	Not EFI cars Four each on Saudi cars
-	692056	Washer, plain, M6	2	
-	692046	Washer, spring, M6	2	LH side
17	069.026.0133	Set screw, 7/16 in. UNF x 1 in.	2	RH side
18	069.026.0134	Set screw, 7/16 in. UNF x 1.1/2 in.	4	
19	069.026.0132	Set screw	as reqd	
-	693401	Locking wire, stainless steel	1	Early cars
-	26.10762	Cross beam	1	
-	26.10751	Support tube assembly, RH	1	
-	26.10752	Support tube assembly, LH	1	
20	26.16495	Cross beam	1	Offset diff. from 13292 - 13326 plus 13121
-	26.18799	Cross beam	1	Later cars
21	26.16490	Support tube assembly, RH	1	
22	26.16491	Support tube assembly, LH	4	
23	692087	Set screw, M8 x 20	8	
24	692057	Washer, plain, M8	2	White
25	068.026.0149	Metalastik mounting, rear	4	
26	692138	Set screw, M10 x 20	4	
27	692048	Washer, spring, M10	4	
28	692058	Washer, plain, M10	1	
29	26.10694	Watts link bracket, LH	1	
30	26.10697	Watts link bracket, RH	4	
31	692135	Nut, M8	2	
32	520728	Bolt, 7/16 in. UNF x 3.1/2 in.	2	
33	119483	Washer, spring, 7/16 in.		



# TRANSMISSION

## Hypoid Unit

### Limited Slip Differential



AM 1382



**TRANSMISSION**  
**Hypoid Unit**  
**Differential Mounting Assembly**

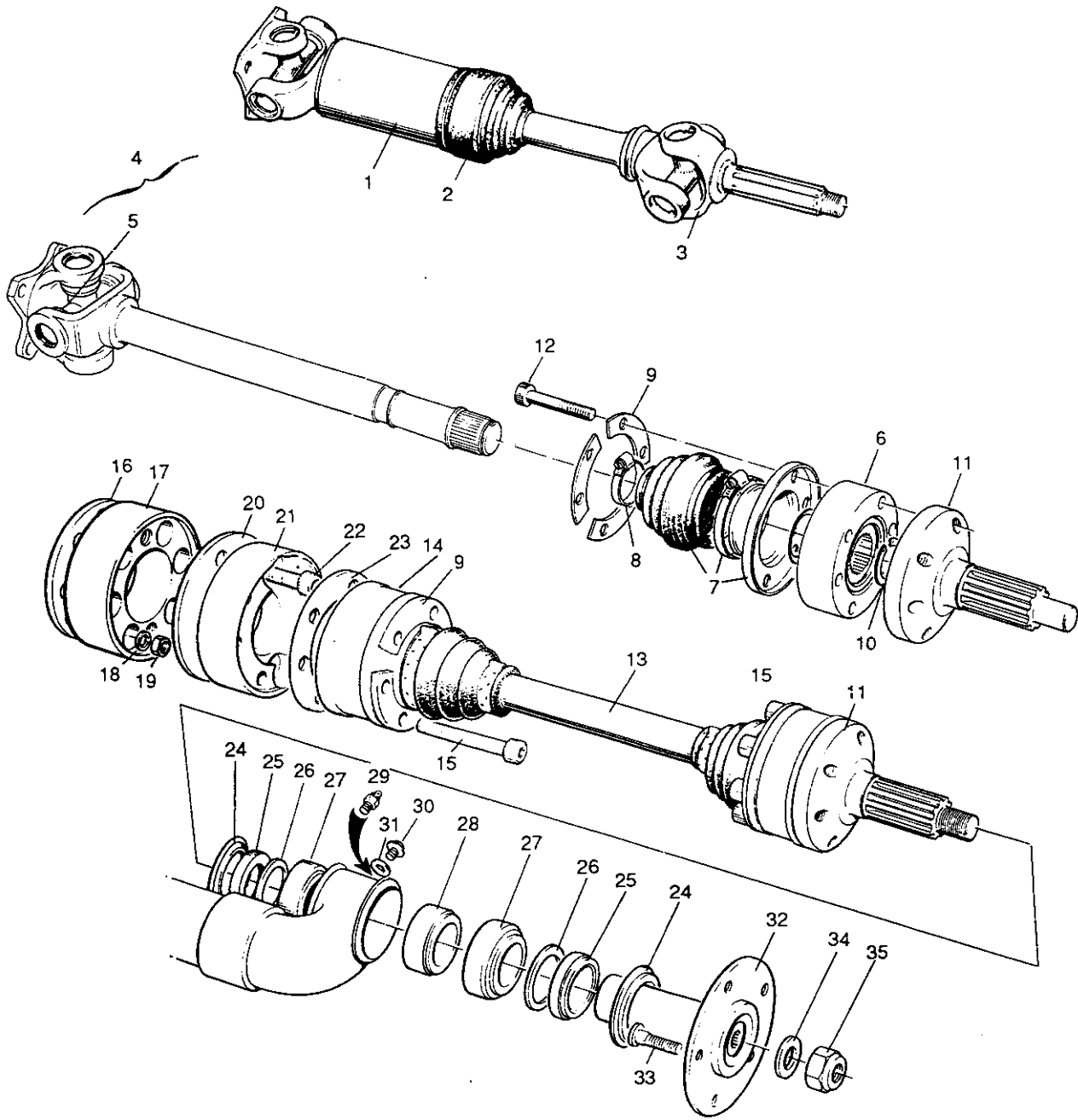
Illus No.	Part Number	Description	Qty	Remarks
34	119473	Washer, plain, 7/16 in.	2	
35	692138	Set screw, M10 x 20	4	
36	692048	Washer, spring, M10	4	
37	692058	Washer, plain, M10	4	
38	692078	Nut, M10	2	
39	692058	Washer, plain, M10	2	
40	692048	Washer, spring, M10	2	
41	692138	Set screw, M10 x 20	2	



# TRANSMISSION

## Hypoid Unit

### Drive Shaft and Hub Assembly



AM 1539L



**TRANSMISSION**

**Hypoid Unit**

**Drive Shaft and Hub Assembly**

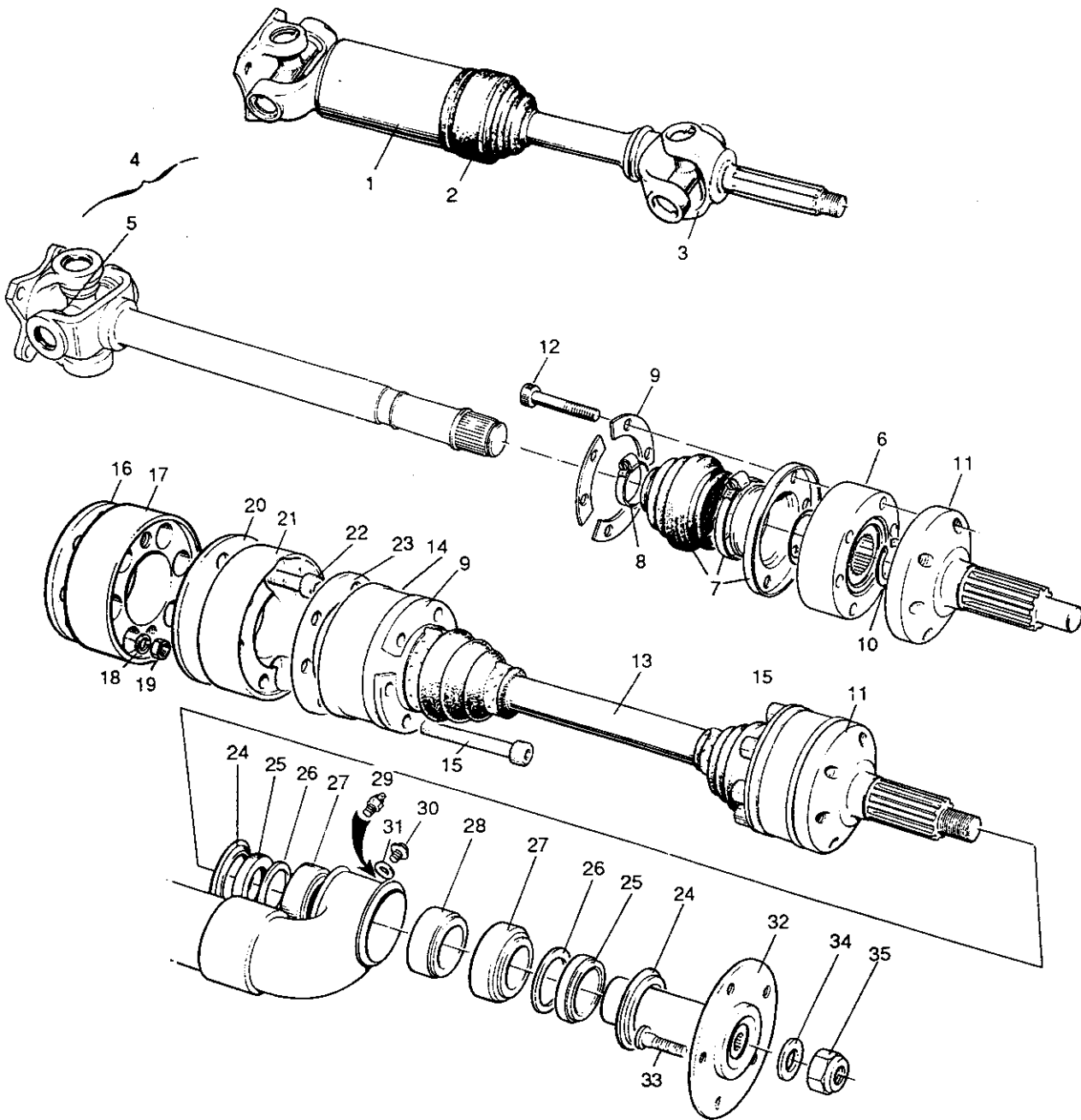
Illus No.	Part Number	Description	Qty	Remarks
1	068.026.0103	Drive shaft assembly, 3/4in UNF	2	
2	26.13225	Drive shaft gaiter	2	
3	068.026.0735	Universal joint repair kit	4	
-	119649	Nipple, grease	4	
4	26.18285	Drive shaft assembly, 3/4in UNF	2	Fitted from 13218/21 <span style="font-size: 2em;">}</span> Replaces item 1 (in pairs)
-	26.18883	Drive shaft assembly, 1in UNF	2	
-	26.18881	Drive shaft assembly, 1in UNF	1	LH <span style="font-size: 2em;">}</span> Fitted to cars with off-set differential mountings - chassis 13121, and 13292 to 13326
-	26.18882	Drive shaft assembly, 1in UNF	1	RH <span style="font-size: 2em;">}</span>
-	119649	Nipple grease	1	
5	068.026.0735	Universal joint repair kit	1	
6	26.19451	CV joint	1	
7	26.19452	Gaiter kit	1	
8	26.19695	Clip	3	Per CV joint <span style="font-size: 2em;">}</span> items 6 to 10 used on item 13 also
9	26.19694	Lock plate	1	
10	26.19693	Circlip	1	
11	26.19444	Rear stub axle, 1in UNF	2	
12	692769	Capscrew, M10 x 60	6	
-	692819	Capscrew, M10 x 65	6	Later cars <span style="font-size: 2em;">}</span> Rear stub axle to drive shaft
13	26.19450	Drive shaft assembly, twin CV joint	2	From 13345/7
14	26.19696	CV joint end cap	2	
15	692819	Capscrew, M10 x 65	24	<span style="font-size: 2em;">}</span> Rear stub axle to drive shaft, Drive shaft to adaptor
-	692576	Loctite	as reqd	
16	26.19445	Inner ring	2	
17	26.19446	Adaptor 1	2	
18	119473	Washer plain, 7/16in	8	<span style="font-size: 2em;">}</span> items 16 & 17 to hypoid flanges
19	692425	Nut, Clevlock 7/16in UNF	8	
-	692576	Loctite	as reqd	
20	26.19447	Middle ring	2	
21	26.19448	Adaptor 2	2	
22	692820	Capscrew M12 x 35	8	
-	692576	Loctite	as reqd	
23	26.19449	Outer ring	2	
24	069.026.0214	Gritshield Assembly	4	
25	068.026.0115	Oil seal	4	
26	068.026.0119	Flinger	4	
27	068.026.0014	Bearing	4	
28	095.026.0120	Spacer, 0.681in (17.297mm) Code No. 34	2	
-	095.026.0121	Spacer, 0.684in (17.374mm) Code No. 31	2	
-	095.026.0122	Spacer, 0.687in (17.450mm) Code No. 28	2	
-	095.026.0123	Spacer, 0.690in (17.526mm) Code No. 25	2	
-	095.026.0124	Spacer, 0.693in (17.602mm) Code No. 22	2	
-	095.026.0125	Spacer, 0.696in (17.678mm) Code No. 19	2	
-	059.026.0126	Spacer, 0.699in (17.755mm) Code No. 16	2	
-	095.026.0127	Spacer, 0.702in (17.831mm) Code No. 13	2	
-	095.026.0128	Spacer, 0.705in (17.907mm) Code No. 10	2	
-	095.026.0129	Spacer, 0.708in (17.983mm) Code No. 7	2	
-	095.026.0130	Spacer, 0.711in (18.059mm) Code No. 4	2	
-	095.026.0131	Spacer, 0.714in (18.136mm) Code No. 1	2	<span style="font-size: 2em;">}</span> Alternatives



# TRANSMISSION

## Hypoid Unit

### Drive Shaft and Hub Assembly



AM 1539L





## TRANSMISSION

Hypoid Unit

Drive Shaft and Hub Assembly

Illus No.	Part Number	Description	Qty	Remarks
			1	
29	119599	Nipple, grease, 1/8in BSP	2	
30	691361	Plug, 1/8in BSP	2	
31	119504	Washer, fibre 1/8in BSP	2	
-	123109	Washer, plain	2	
32	26.10626	Hub, rear	10	} Cars up to 1985 and } from 13540/1
33	26.10786	Wheelstud	2	} Cars from 1985 and } up to 13539
-	26.20102	Hub, rear	10	
-	23.20104	Wheelstud	2	Early cars
34	068.026.0120	Washer, 3/4in	2	Later cars
-	692771	Washer 1in	2	Early cars
35	690805	Nut, Nyloc, 3/4in UNF	2	Certain cars only } Later } cars
-	26.19485	Nut, Nyloc, 1in UNF 22mm thick	2	
-	692770	Nut, Nyloc, 1in UNF 28mm thick	2	



**SUSPENSION AND STEERING**

**Contents**

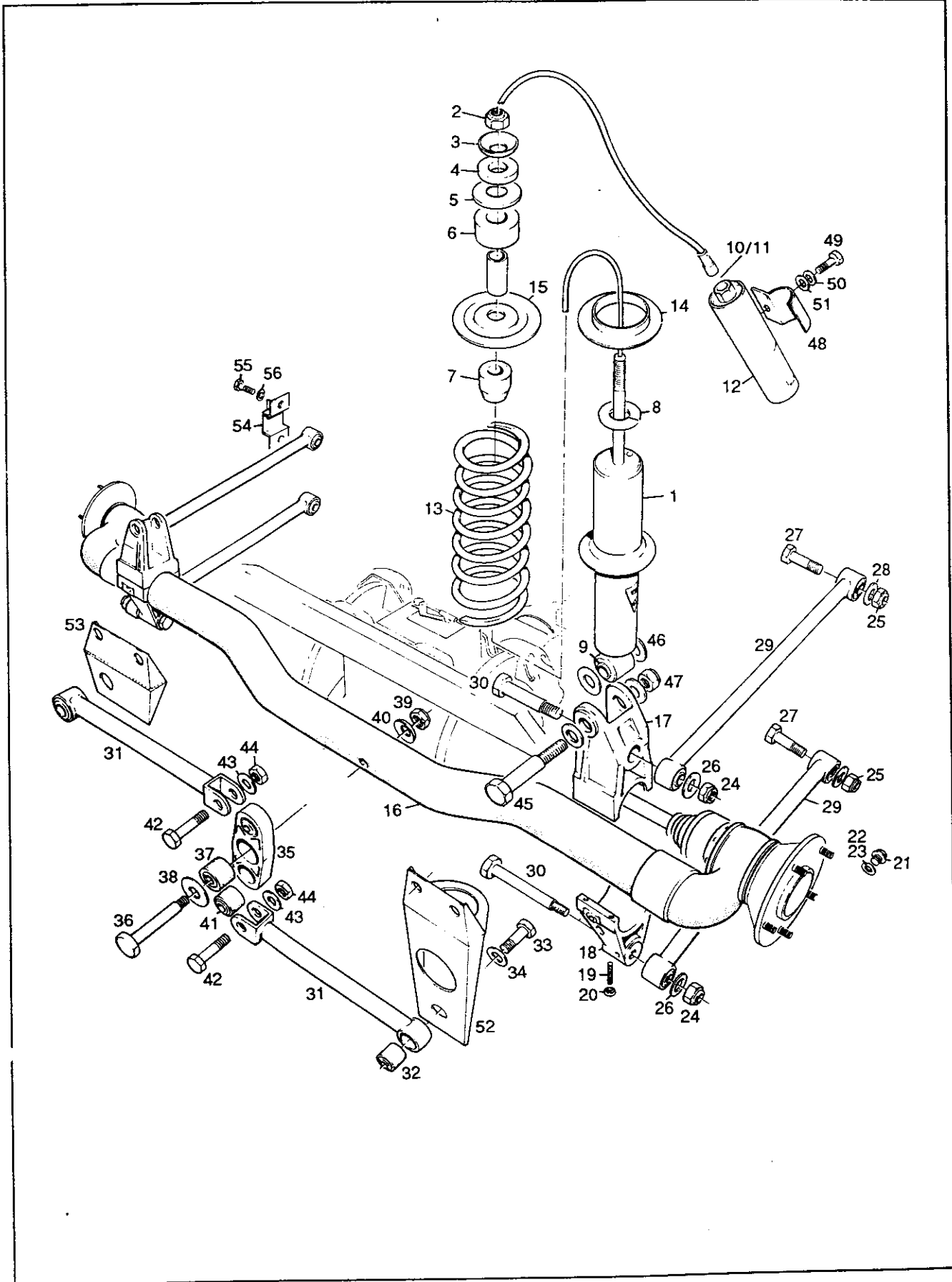
<b>SUSPENSION AND STEERING</b>	<b>4</b>
<b>Rear Suspension</b>	<b>4.1</b>
<b>Front Suspension</b>	<b>4.2</b>
<b>Steering Column</b>	<b>4.3</b>
<b>Power Steering</b>	<b>4.4</b>



**SECTION 4**  
**SUSPENSION AND STEERING**

# SUSPENSION and STEERING

## Rear Suspension





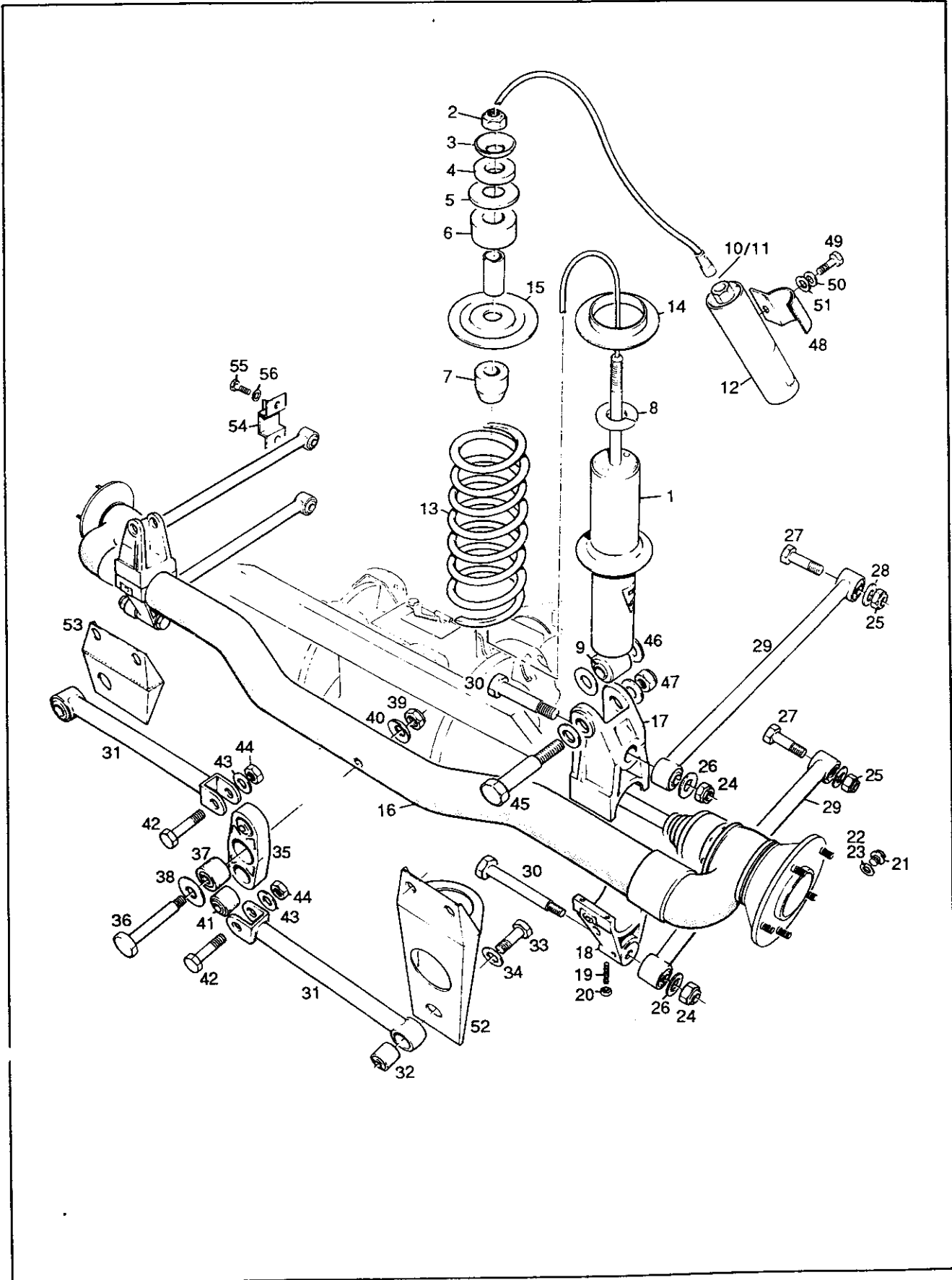
# SUSPENSION AND STEERING

## Rear Suspension

Illus No.	Part Number	Description	Qty	Remarks
1	26.10061	Self-levelling damper unit	2	
2	96.15926	Nut	2	Shock absorber spares
3	96.15927	Washer	2	
4	095.023.0701	Bush, thin	2	
5	96.15928	Locating ring	2	
6	23.13307	Bush, thick	2	
7	095.026.0142	Bump stop	2	
8	96.15930	Plastic washer	2	
9	96.15931	Lower bush	2	
10	96.15932	Locknut	2	
11	96.15933	Lockwasher	2	
12		Gas cylinder	2	
13	26.10765	Road spring, rear	2	
14	26.14176	Collar	2	
15	26.15201	Spring cover plate	2	
16	26.10479	Axle beam assembly	1	Complete with spring anchors
-	26.10478	Axle beam, sub-assembly	1	Without spring anchors
-	26.10480	Spring anchor bracket assembly	2	
17		Anchor bracket, upper	2	Supplied as assembly Part No. 26.10480
18		Anchor bracket, lower	2	
19	26.10476	Stud	8	
20	692078	Nut, M10	8	
-	693769	Capscrew, M10 x 45	8	
-	692058	Washer, plain, M10	8	
-	692576	Loctite, Studlock	8	
21	691361	Plug, flanged, 1/8 in. BSP	2	
22	119504	Washer, fibre, 1/8 in. BSP	2	
23	123109	Washer, plain, 3/8 in.	2	
24	692093	Nut, Nyloc, M12	4	See also section 3.8
25	690156	Nut, Nyloc, 1/2 in. UNF	4	
26	690326	Washer, special	6	
27	020.026.0135	Bolt, radius arm, frame	4	
28	119474	Washer, plain, 1/2 in.	4	
29	26.16558	Radius arm assembly	4	From chassis no. 13541 Early cars were fitted with radius arms that cannot be re-bushed
-	26.25769	Radius arm assembly	4	
-	26.16560	Radius arm bush	8	
30	26.10484	Bolt, radius arm, axle	4	
31	068.026.0005	Watts link assembly	2	
32	020.026.0146	Bush, Watts link	2	
33	068.026.0111	Bolt, Watts link to frame, 2.2 in. long	2	From 1990
-	26.53608	Bolt, Watts link to frame, 2.2 in. long	2	
-	26.23821	Washer, special, 1 in. O.D.	2	
34	119474	Washer, plain, 1/2 in.	2	
35	068.026.0152	Swinging link	1	
36	068.026.0107	Pin, swinging link	1	
37	022.026.0140	Bush, swinging link, centre	1	

# SUSPENSION and STEERING

## Rear Suspension







## SUSPENSION AND STEERING

## Rear Suspension

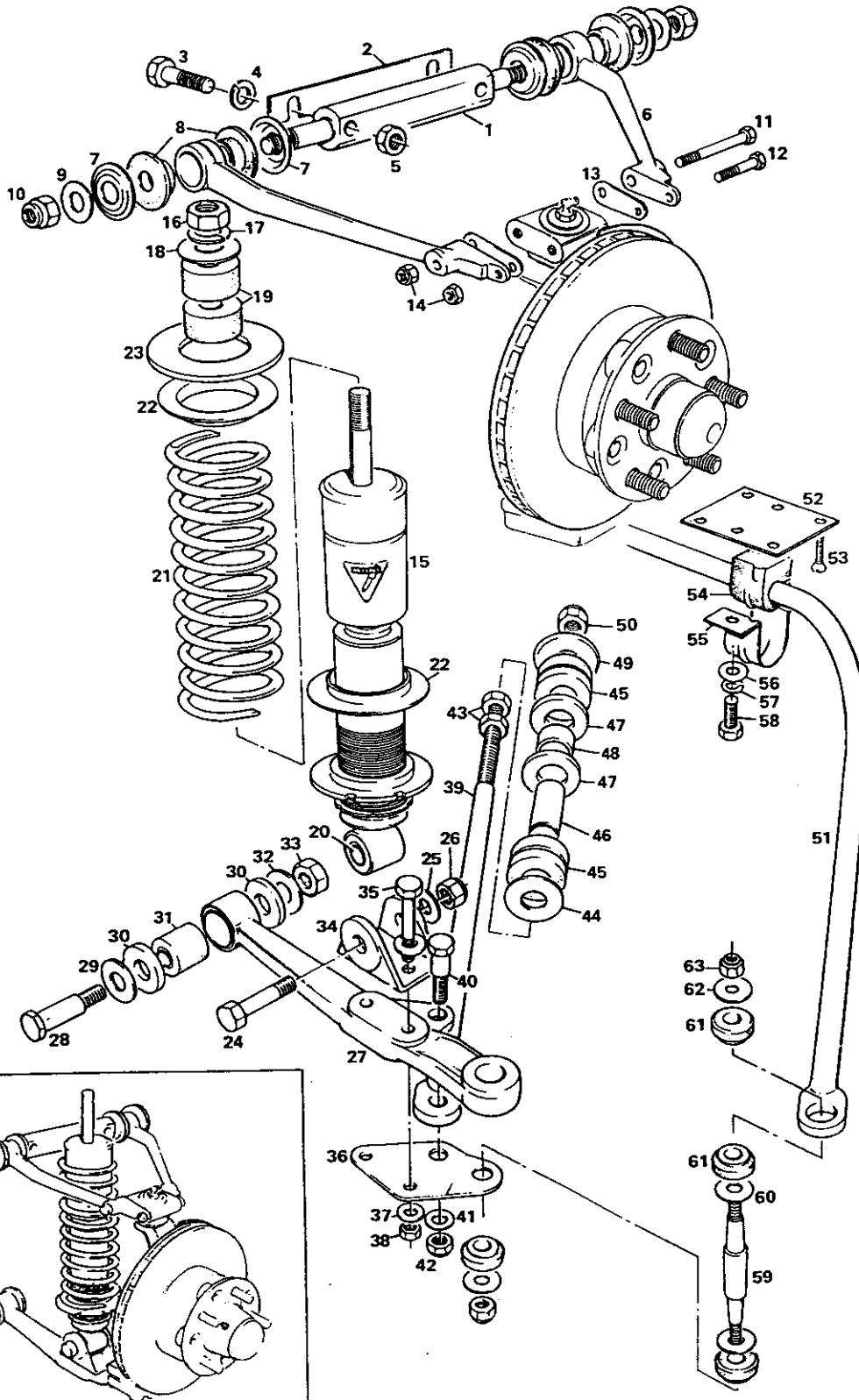
Illus No.	Part Number	Description	Qty	Remarks
38	022.026.0165	Washer	1	
39	692424	Locknut, Philidas, 1/2 in. UNF	1	
40	069.006.0108	Washer, bevelled	1	
41	020.026.0141	Bush, Watts link, swinging link	2	
42	020.026.0147	Bolt, Watts link, swinging link	2	
43	119472	Washer, plain, 3/8 in.	2	
44	125594	Nut, Nyloc, 3/8 in. UNF, thin	2	
45	26.10483	Special bolt, shock absorber, lower	2	
46	692059	Washer, plain, M12	8	
47	692093	Nut	2	
-	692184	Loctite 'Nutloc', 242 (Blue)	as reqd	
48	26.10924	Gas cylinder bracket	2	
49	692129	Screw, M8 x 25	2	
50	692047	Washer, spring, M8	2	
51	692057	Washer, plain, M8	2	
52	26.10697	Bracket, Watts link, RH	1	} See section 3.7
53	26.10694	Bracket, Watts link, LH	1	
-	692138	Screw, M10 x 20	4	
-	692058	Washer, plain, M10	4	
-	692048	Washer, spring, M10	4	} Brackets to chassis
54	26.10360	Radius arm bracket	4	} Early cars
-	26.16279	Radius arm bracket, upper	2	} Later
-	26.16536	Radius arm bracket, lower	2	} cars
55	692089	Screw, M8 x 16	12	} Brackets
56	692047	Washer, spring, M8	12	} to chassis



# SUSPENSION and STEERING

## Front Suspension

### Wishbone Arm & Shock Absorber Assemblies



AM 1399



## SUSPENSION AND STEERING

### Front Suspension

#### Wishbone Arm & Shock Absorber Assemblies

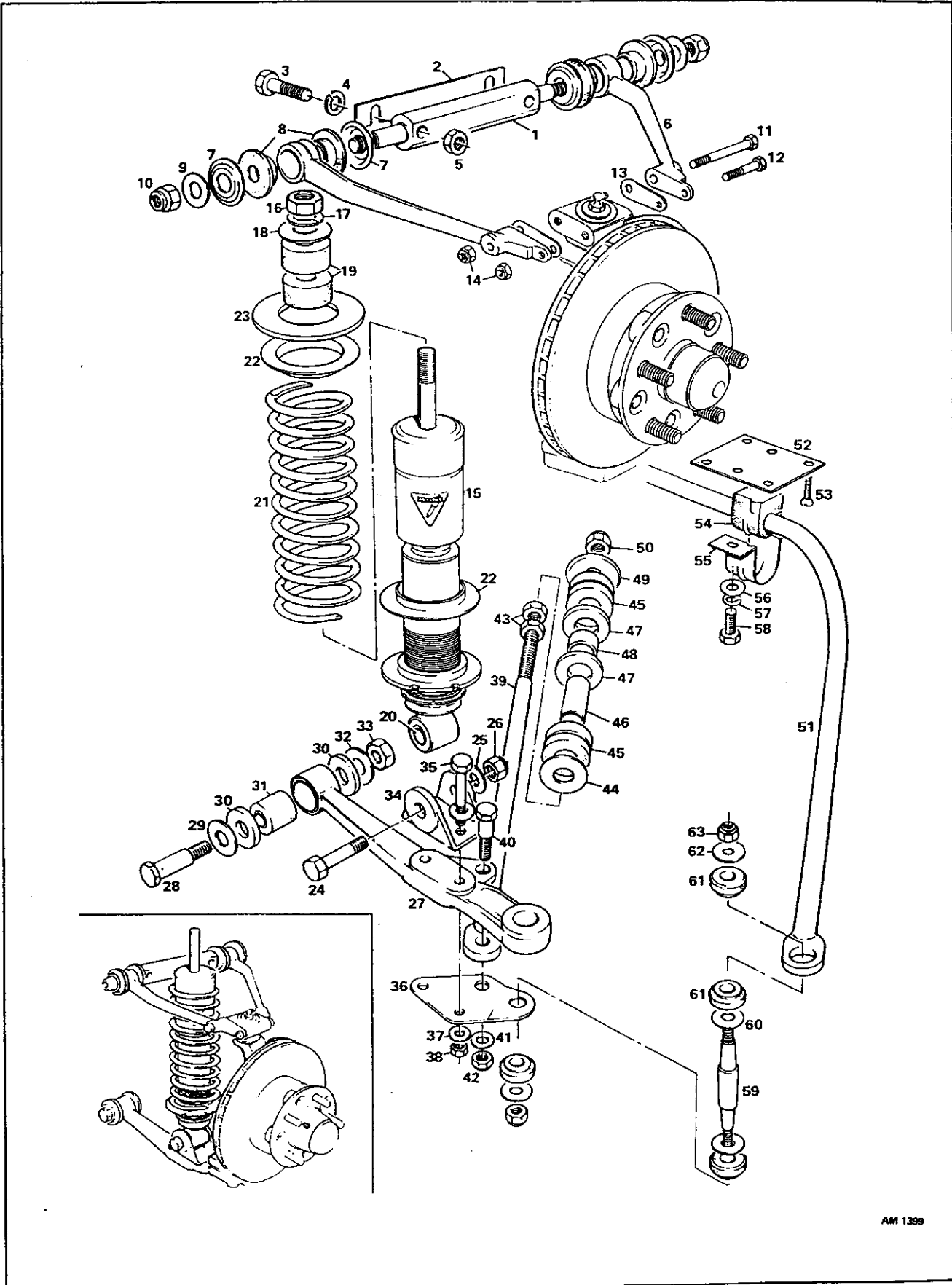
Illus No.	Part Number	Description	Qty	Remarks
1	23.10548	Spindle, upper wishbone	2	
2	23.13979	Shim	as reqd	Spindle to chassis
-	23.10543	Bolt, M12 x 50	4	Spindle to chassis early cars)
3	692626	Bolt, M12 x 65	4	} Spindle to chassis (later cars)
4	692049	Washer, spring, M12	4	
5	692508	Nut, Philidas, M12	4	
6	23.10544	Arm, upper wishbone	4	
-	23.11077	Bush, rebound	4	
7	095.023.0112	Washer	8	Upper wishbone bush
8	095.023.0113	Bush, upper wishbone	4	
9	095.023.0115	Washer, special	4	
10	690156	Nut, Nyloc, 1/2 in. UNF	4	
11	520646	Bolt, 3/8 in. UNF x 5.3/4 in.	2	
12	520622	Bolt, 3/8 in. UNF x 2.3/4 in.	2	
-	23.26552	Bolt, domed head, 3/8 in. UNF x 2.3/4 in.	2	From June 1989
13	23.10678	Shim, castor	as reqd	
14	123113	Nut, Nyloc, 3/8 in. UNF	4	
15	23.16512	Shock absorber	2	
16	96.15918	Nut, top	2	} Spares
17	96.15919	Washer, spring	2	
18	96.15920	Washer, flat	2	
19	96.15921	Bush, top	2	
20	23.16514	Bush, eye	2	
-	20.16483	Locating ring	4	Top bush/chassis
-	23.10545	Road spring (230lb)	2	Early cars
21	23.15542	Road spring (260lb)	2	Later cars
22	26.11484	Plate, spring	4	
23	23.10958	Rubber insulation ring	2	
24	23.11108	Bolt, shock absorber	2	
25	692141	Washer, plain, 9/16 in.	2	
26	123114	Nut, Nyloc, 9/16 in. UNF	2	
27	23.10001	Arm, lower wishbone, RH	1	
-	23.10004	Arm, lower wishbone, LH	1	
28	23.10547	Bolt, arm to chassis	2	Thread either M16 or 5/8 in. UNF
29	23.10546	Washer	2	
30	23.14335	Washer, special	4	
31	23.14431	Bush, wishbone arm	2	
32	692061	Washer, plain, M16	2	} Alternatives (depending on item 28 thread size)
-	119475	Washer, plain, 5/8 in. UNF	2	
33	692096	Nut, Nyloc, M16	2	
-	123117	Nut, Nyloc, 5/8 in. UNF	2	Later cars
34	23.11380	Bracket, shock absorber	2	} Early cars
-	23.10539	Bracket, shock absorber	2	
-	23.11330	Plate, packing	2	} (use later parts when replacing)
-	23.11331	Bolt, M10 x 70	4	
-	23.11331	Bolt, M10 x 70	4	Later cars
35	692187	Bolt, M10 x 60	4	
36	23.13039	Plate, mounting, RH	1	
-	23.13040	Plate, mounting, LH	1	
37	692058	Washer, plain, M10	8	
38	692034	Nut, M10	4	
39	23.10491	Strut, brake reaction	2	



# SUSPENSION and STEERING

## Front Suspension

### Wishbone Arm & Shock Absorber Assemblies



AM 1399



## SUSPENSION AND STEERING

### Front Suspension

#### Wishbone Arm & Shock Absorber Assemblies

Illus No.	Part Number	Description	Qty	Remarks
40	23.10542	Bolt	2	Strut to wishbone arm (Thread either M16 or 5/8 in.UNF) Use 521018
-	521018	Bolt, 5/8 in. UNF x 2.1/4 in.	2	Later cars
41	692061	Washer, plain, M16	2	} Alternatives (depending on Item 40 thread size)
-	119475	Washer, plain, 5/8 in. UNF	2	
42	692096	Nut, Nyloc, M16	2	
-	123117	Nut, Nyloc, 5/8 in. UNF	2	
43	691269	Nut, 3/4 in. UNF	4	Early struts require 1 nut only
44	23.10620	Washer, flat	2	
45	23.17549	Bush (without collar)	4	Later cars
-	692382	Bush (with collar)	4	Early cars
46	23.16504	Tube, spacer, metal, 62mm	2	Later cars
-	23.10621	Tube, spacer, metal, 50mm	2	Early cars
47	23.16507	Washer, plastic	4	Later cars
48	23.16506	Tube, plastic	2	Later cars
49	23.14600	Washer, shaped	2	
50	690805	Nut, Nyloc, 3/4 in. UNF	2	
51	23.10788	Bar, anti-roll	1	
-	23.11244	Clamp, upperstop	2	
-	23.11243	Clamp, lowerstop	2	
-	692254	Washer, Thackeray	4	
-	692092	Screw, socket head., M6 x 35	4	
-	020.023.0165	Shim, 0.005 in.	as reqd	
-	020.023.0166	Shim, 0.020 in.	as reqd	
-	23.10956	Block, mounting	2	} Early cars
-	23.10983	Bush, mounting, rubber	2	
-	020.023.0143	Clamp, lower	2	
-	111874	Washer, Thackeray, 1/4 in.	8	
-	692183	Screw, socket head, M6 x 50	8	
52	23.16510	Plate, adaptor	2	} Plate to chassis certain cars Now added to chassis
53	692195	Screw, M6 x 25	4	
-	692262	Screw, M6 x 12	4	
-	692046	Washer, spring, M6	4	
-	21.17430	Plate adaptor	2	} Later cars
54	23.16508	Mounting, rubber	2	
55	23.16509	Clamp	2	
56	692057	Washer, plain, M8	4	
57	692047	Washer, spring, M8	4	
58	692089	Screw, M8 x 16	4	
59	23.10930	Link, anti-roll bar 7.2 in.	2	Fit in pairs if old length of 7.8 in. is replaced
60	020.023.0150	Washer, inner	4	
61	020.023.0148	Bush	8	
62	020.023.0149	Washer, outer	4	
63	692135	Nut, Nyloc, M8	4	

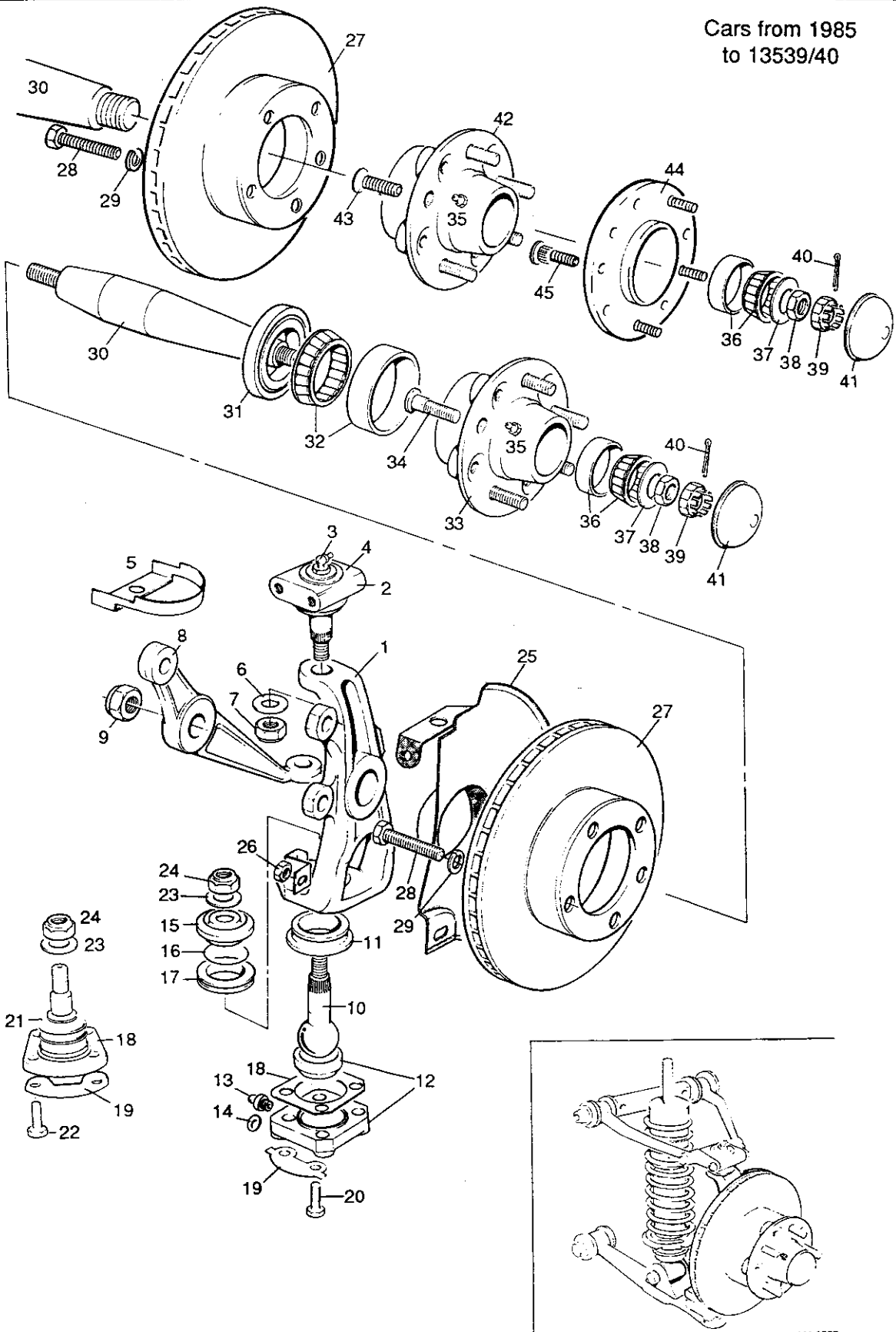
# SUSPENSION and STEERING

## Front Suspension

### Hub & Vertical Link Assemblies



Cars from 1985  
to 13539/40



AM 1387



## SUSPENSION AND STEERING

### Front Suspension Hub & Vertical Link Assemblies

Illus No.	Part Number	Description	Qty	Remarks
1	23.10656	Vertical link, RH	1	
-	23.10657	Vertical link, LH	1	
2	23.10661	Upper ball joint assembly	2	With plastic gaiter
-	23.26003	Upper ball joint assembly	2	From chassis No. 13541. With rubber gaiter
3	23.15061	Grease nipple	2	
4	23.15037	Washer, grease nipple	2	
5	23.16501	Heatshield, upper ball joint	2	
6	119474	Washer, plain, 1/2 in.	2	} Upper ball joint to vertical link
7	542008	Nut, 1/2 in. UNF	2	
8	23.14734	Steering arm, RH	1	
-	23.14735	Steering arm, LH	1	
-	23.15042	Shim, 0.004 in.	as reqd	} Steering arms to vertical link
-	23.15043	Shim, 0.010 in.	as reqd	
-	23.15044	Shim, 0.030 in.	as reqd	
-	28.10981	Bolt, long	2	Steering arm and caliper to vertical link
-	28.10982	Bolt, short	2	Caliper to vertical link
-	113489	Locking wire	as reqd	
-	692049	Washer, spring, M12	4	
-	692059	Washer, plain, M12	4	
9	692577	Nut, stub axle, inner	2	
10	23.15030	Ball pin, lower	2	
11	23.15031	Socket, upper	2	
12	23.15066	Socket, lower	2	
13	23.10670	Grease nipple	2	} Up to chassis No. 13540
14	23.15037	Washer, grease nipple	2	
15	23.15033	Gaiter, ball joint, plastic	4	
16	23.15035	Ring, gaiter	4	
17	23.15032	Clip, gaiter	4	
18	23.15039	Shim, 0.002 in.	as reqd	
-	23.15040	Shim, 0.004 in.	as reqd	
-	23.15041	Shim, 0.010 in.	as reqd	
19	23.15036	Tab washer	4	
20	23.15038	Bolt, 5/16 in. UNF x 1 in.	8	
21	23.26004	Lower ball joint assembly	2	} From chassis No. 13541
22	-	Bolt,	8	
23	692141	Washer, plain, 9/16 in.	2	} Lower ball joint to vertical link
24	123114	Nut, Nyloc, 9/16 in. UNF	2	
25	-	Disc shield, front	2	Remove if fitted to car and re- place with following two items
-	23.17675	Bracket, brake pipe, RH	1	
-	23.17676	Bracket, brake pipe, LH	1	
-	23.15064	Disc shield, lower, RH	1	
-	23.15065	Disc shield, lower, LH	1	
26	123116	Nut, Nyloc, 1/4 in. UNF	4	
-	23.15062	Disc shield, rear, RH	1	
-	23.15063	Disc shield, rear, LH	1	
27	23.10663	Brake disc, front	2	If replacing both discs use later slotted discs in pairs.
-	23.19725	Brake disc, front, slotted, LH	1	} From chassis Nos. 13380/88
-	23.19726	Brake disc, front, slotted, RH	1	

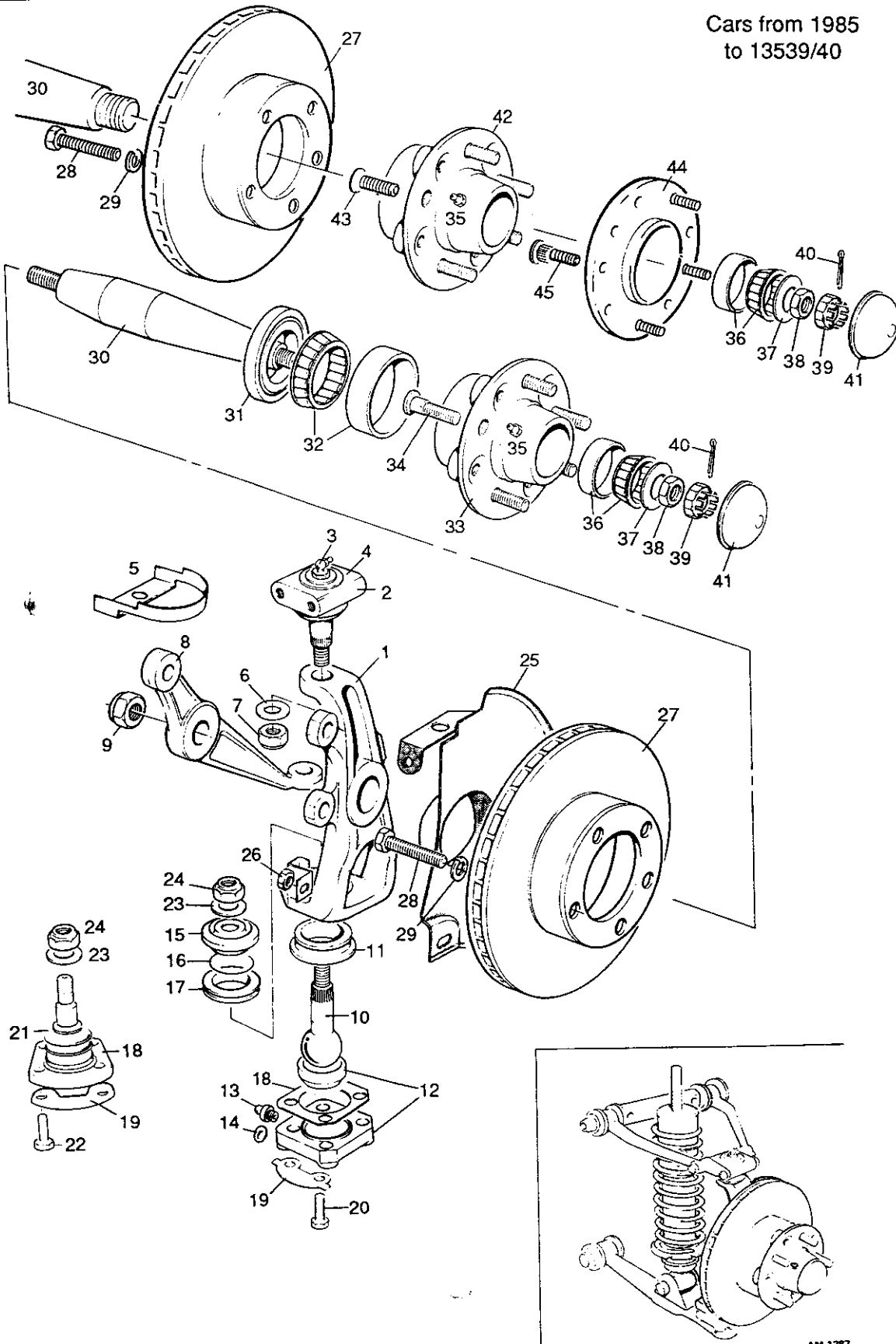
# SUSPENSION and STEERING

## Front Suspension

### Hub & Vertical Link Assemblies



Cars from 1985  
to 13539/40



AM 1387





## SUSPENSION AND STEERING

### Front Suspension

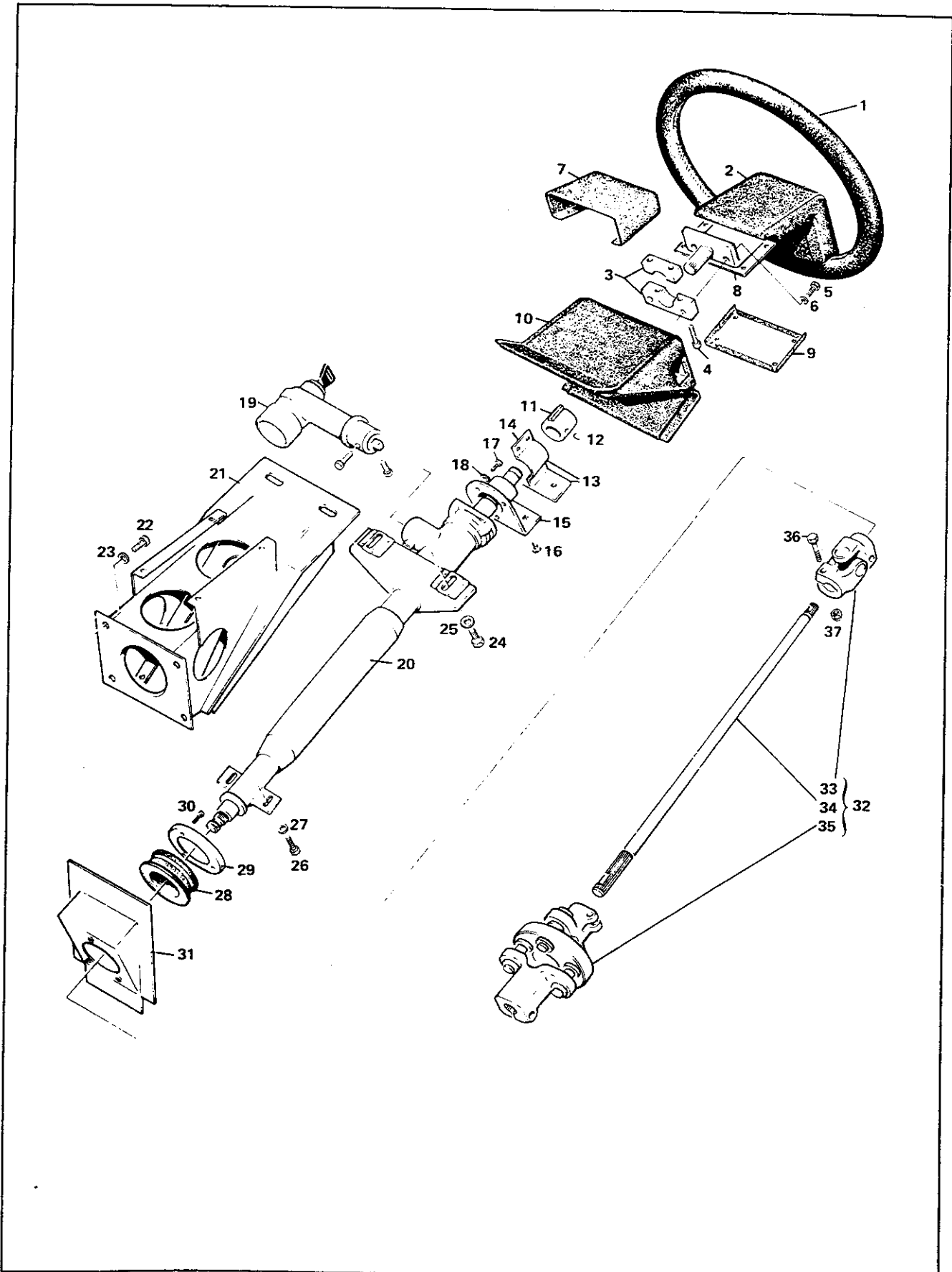
#### Hub & Vertical Link Assemblies

Illus No.	Part Number	Description	Qty	Remarks
28	23.15048	Bolt	10	} Brake disc } to hub
29	119483	Washer, spring, 7/16 in.	10	
30	23.10653	Stub axle	2	
31	23.10668	Oil seal	2	
-	23.10658	Water shield, oil seal, outer	2	
-	23.10659	Water shield, oil seal, inner	2	
32	23.10666	Wheel bearing, inner	2	
-	694535C	Grease, special	as reqd	
-	694589	Rubber seal, convoluted	2	
33	23.10665	Front hub, studded	2	
34	23.15060	Wheel stud	10	
35	23.10670	Grease nipple	2	
36	23.10669	Wheel bearing, outer	2	
-	694535C	Grease, special	as reqd	
37	23.10672	Washer	2	
38	23.10673	Nut, stub axle, outer	2	
39	23.10674	Nut, retaining	2	
40	119537	Splitpin, 1/8 in. x 1.1/8 in.	2	
41	080.023.0109	Endcap	2	Modify to suit wheel trim
42	23.10665	Front hub, studded	2	Remove studs before fitting
43	693056	Capscrew, 1/2 in. UNF	10	} Cars from } 1985 to } Chassis } Nos. } 13539/40
-	692184	Loctite, Nutlock	as reqd	
44	23.20103	Wheel spacer/adaptor	2	
45	23.20104	Wheel stud	10	

# SUSPENSION and STEERING

## Steering Column

### Early Cars





## SUSPENSION AND STEERING

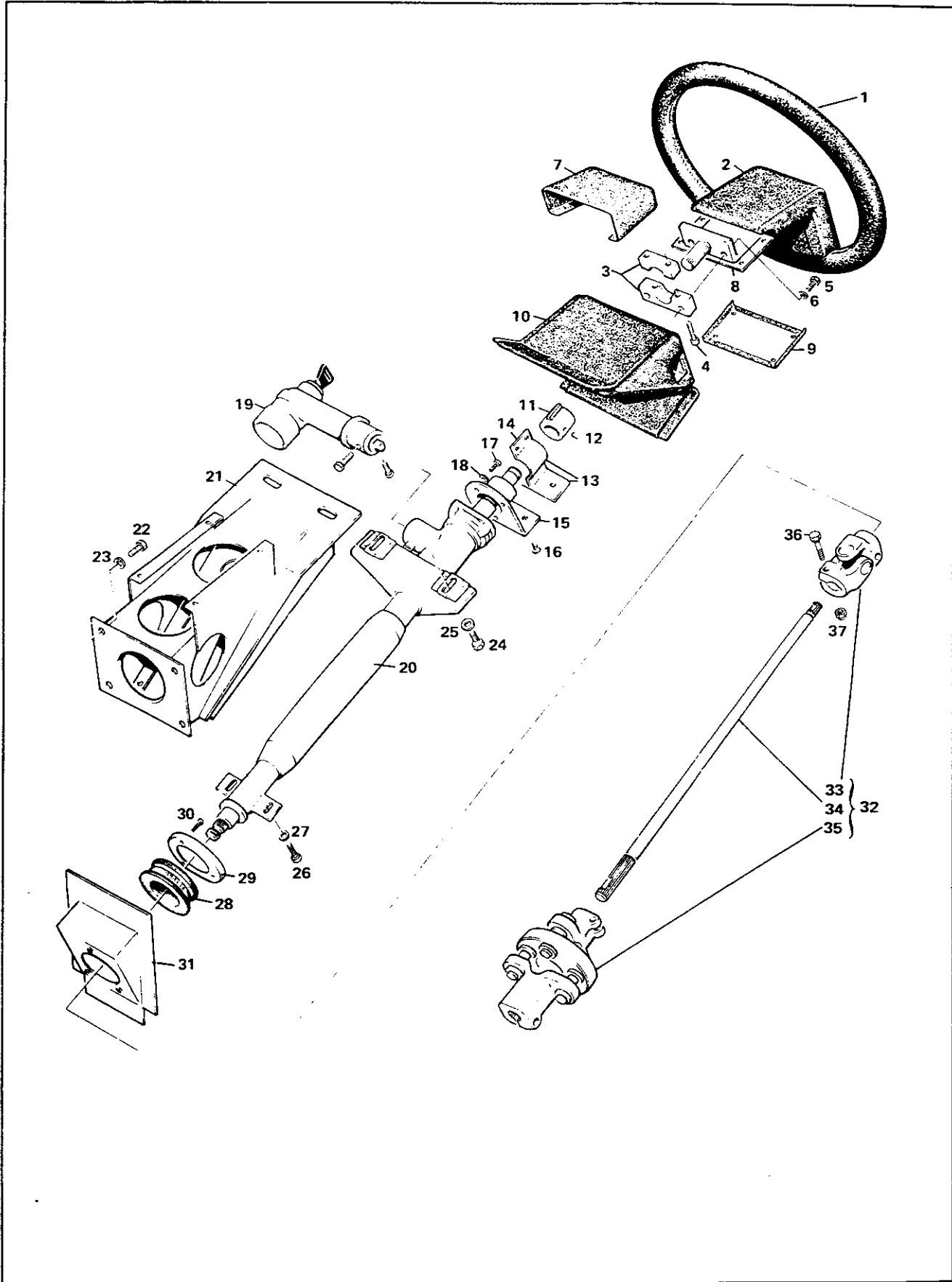
### Steering Column Early Cars

Illus No.	Part Number	Description	Qty	Remarks
1	25.10905	Steering wheel - Black	1	
2	25.14605	Trim pad	1	Steering wheel spoke
3	25.10861	Clamp assembly	1	Steering wheel to column
4	692092	Screw, M6 x 35	2	} Clamp to column
5	692089	Screw, M8 x 16	2	
6	692047	Washer, spring, M8	2	} Steering wheel to clamp
7	83.12216	Trim pad, upper	1	
8	25.12224	Trim pad, mounting plate	1	
9	83.12217	Trim pad, lower	1	
-	653.000.0606	Screw, No 6 x 3/4 in., self tapping	4	
-	112183	Washer, cup, No.6	4	
-	692473	Spire clip	4	
10	83.12280	Cowl	1	
11	25.12313	Indicator cancelling block	1	
12	691019	Grubscrew, 2BA	1	
13	37.12388	Cowl support assembly	1	RHD
-	37.15003	Cowl support assembly	1	LHD
14	095.037.0144	Clamp	1	RHD & LHD. Later cars from approx Chassis No. 13072
15	37.12393	Cowl mounting bracket	1	
16	692330	Screw, M4 x 8, countersunk head	2	
17	691863	Screw, Pan head, No 10 x 24 UNC x 1/2 in.	3	
18	119488	Washer, spring	3	
-	095.037.0103	Switch, screen wash/wipe	1	RHD
-	095.037.0104	Switch, screen wash/wipe	1	LHD
-	095.037.0105	Switch, dip/flash/horn	1	RHD up to approx Chassis No 13071
-	095.037.0106	Switch, dip/flash/horn	1	LHD & RHD from Chassis No. 13072
-	691862	Screw, pan head, No. 10 x 24 UNC x 1 in.	2	
-	691863	Screw, pan head, No. 10 x 24 UNC x 1/2 in.	2	
19	25.18410	Steering lock and ignition switch - modified	1	
-	25.12701	Steering lock and ignition switch	1	
-	25.12701A	Screw, shearhead	2	
20	25.10812	Steering column, upper	1	
-	25.10979	Nylon sleeve	1	
-	25.14429	Nylon sleeve	1	
21	25.10917	Mounting bracket	1	
-	691729	Spireclip, No. 6	4	
22	692089	Screw, M8 x 16	4	
23	692047	Washer, spring, M8	4	
24	692439	Screw, M12 x 35	2	
25	692049	Washer, spring, M12	2	
-	692059	Washer, plain, M12	2	
26	692089	Screw, M8 x 16	2	
27	692057	Washer, plain, M8	2	
-	692135	Nut, Nyloc, M8	2	
28	25.10978	Seal, bulkhead	1	
29	25.11690	Seal, bracket	1	
30	692228	Screw, M4 x 10	3	
-	692044	Washer, spring, M4	3	
-	692054	Washer, plain, M4	3	

# SUSPENSION and STEERING

## Steering Column

### Early Cars





## SUSPENSION AND STEERING

Steering Column  
Early Cars

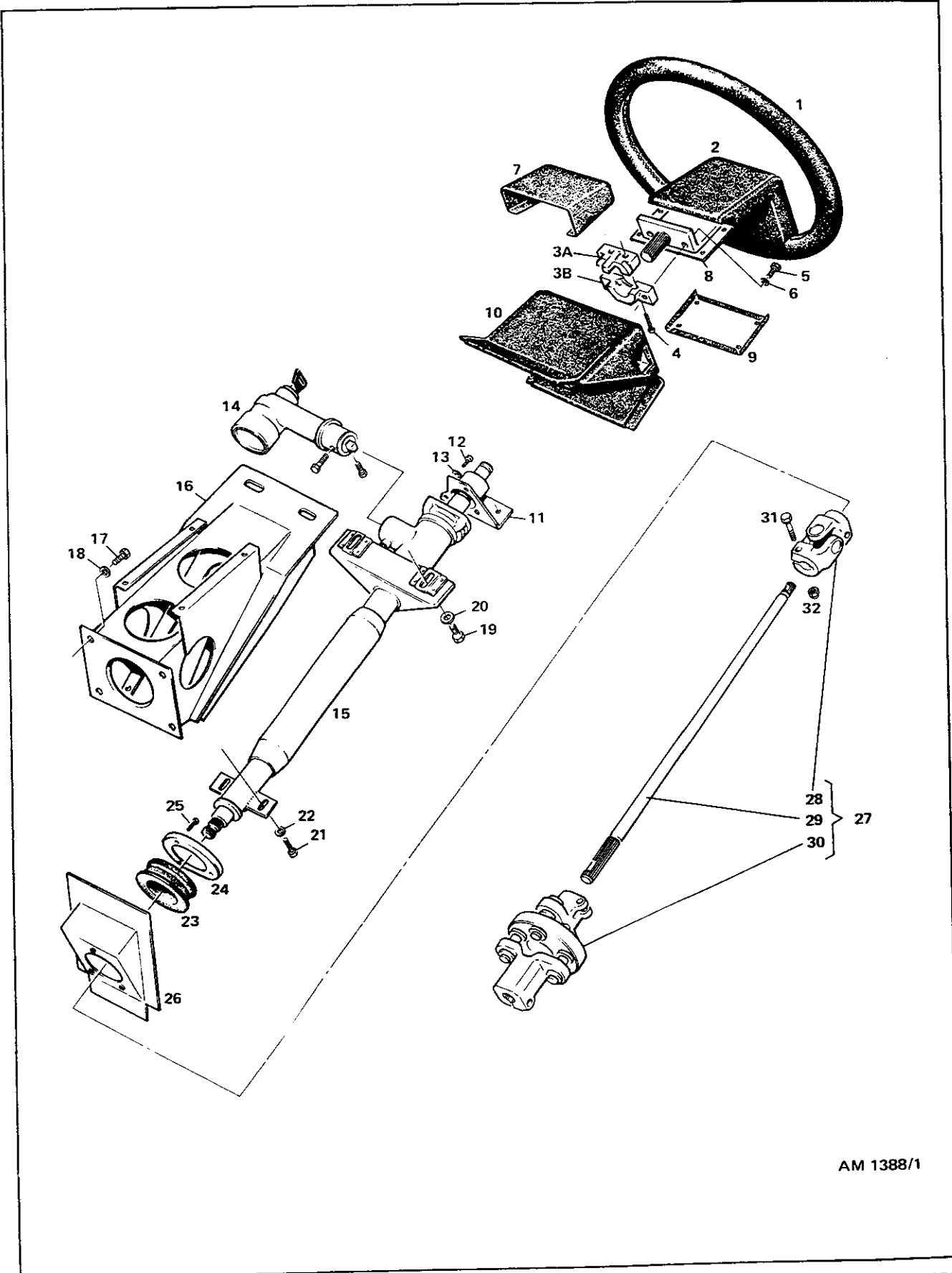
Illus No.	Part Number	Description	Qty	Remarks
31	20.11115	Panel	1	Part of chassis assembly
32	25.11022	Lower steering column	1	
33	25.10980	Universal joint	1	2 only required from Sept. 1989 From Sept. 1989
34	25.11023	Shaft	1	
35	25.11024	Rubber coupling	1	
36	692139	Bolt, M8 x 35	4	
-	692250	Bolt, M8 x 40 ; (for universal joint)	2	
-	692047	Washer, spring, M8	4	
-	692057	Washer, plain, M8	4	
37	692077	Nut, plain, M8	4	
-	692135	Nut, Nyloc, M8	4	
-				



# SUSPENSION and STEERING

## Steering Column

Later Cars to 1985



AM 1388/1



## SUSPENSION AND STEERING

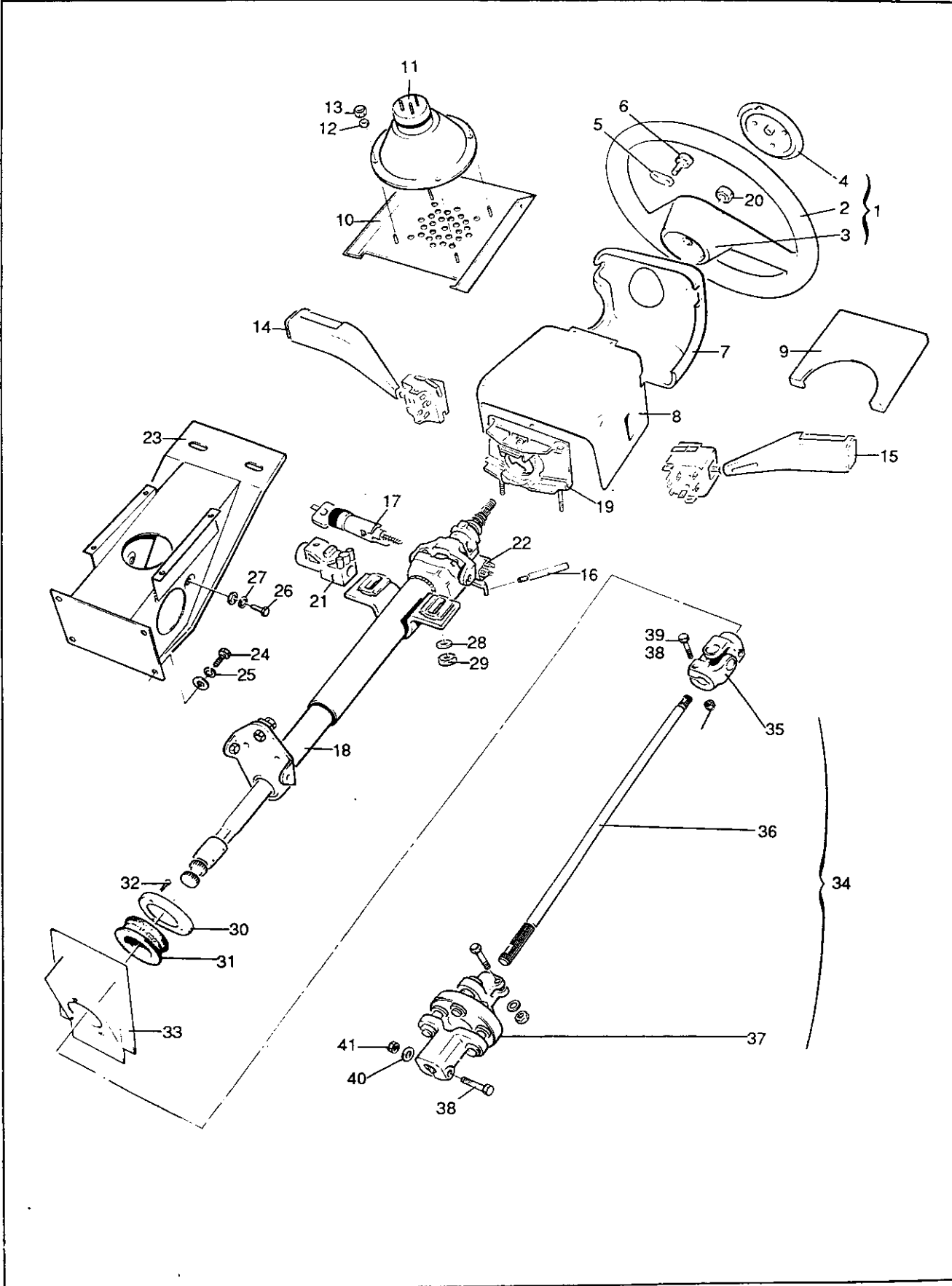
### Steering Column Later Cars to 1985

Illus No.	Part Number	Description	Qty	Remarks
1	25.10905	Steering wheel - Black	1	
2	25.14605	Trim pad	1	Steering sheel spoke
3A	25.18012	Clamp assy, upper with cancelling block	1	} Steering wheel to column
3B	25.18013	Clamp assy, lower	1	
4	692092	Screw, M6 x 35	2	Clamp to column
5	692089	Screw, M8 x 16	2	} Steering wheel to clamp
6	692047	Washer, spring, M8	2	
7	83.12216	Trim pad, upper	1	
8	25.12224	Trim pad, mounting plate	1	
9	83.12217	Trim pad, lower	1	
-	653.000.0606	Screw, No. 6 x 3/4 in., self-tapping	4	
-	112183	Washer, cup, No.6	4	
-	692473	Spire clip	4	
10	83.18014	Cowl	1	From chassis 13186
11	25.17858	Cowl mounting bracket	1	From chassis 13186
12	691863	Screw, Pan head, No. 10 x 24 UNC x 1/2 in.	3	
13	119488	Washer, spring	3	
-		Switch - Screen/wash/wipe/indicators/flash/horn		See Section 6.1
14	25.18410	Steering lock and ignition switch - modified	1	
-	25.12701	Steering lock and ignition switch	1	
-	25.12701A	Screw, shearhead	2	
15	25.10812	Steering column, upper	1	
-	25.10979	Nylon sleeve	1	
-	25.14429	Nylon sleeve	1	
16	25.10917	Mounting bracket	1	
-	691729	Spireclip, No. 6	4	
17	692089	Screw, M8 x 16	4	
18	692047	Washer, spring, M8	4	
19	692439	Screw, M12 x 35	2	
20	692049	Washer, spring, M12	2	
-	692059	Washer, plain, M12	2	
21	692089	Screw, M8 x 16	2	
22	692057	Washer, plain, M8	2	
-	692135	Nut, Nyloc, M8	2	
23	25.10978	Seal, bulkhead	1	
24	25.11690	Seal, bracket	1	
25	692228	Screw, M4 x 10	3	
-	692044	Washer, spring, M4	3	
-	692054	Washer, plain, M4	3	
26	20.11115	Panel	1	Part of chassis assembly
27	25.11022	Lower steering column	1	
28	25.10980	Universal joint	1	
29	25.11023	Shaft	1	
30	25.11024	Rubber coupling	1	
31	692139	Bolt, M8 x 35	4	2 only required from Sept.1989
-	692250	Bolt, M8 x 40 ;(for universal joint)	2	From Sept.1989
-	692047	Washer, spring, M8	4	
-	692057	Washer, plain, M8	4	
32	692077	Nut,plain, M8	4	
-	692135	Nut, Nyloc, M8	4	From Sept. 1989

# SUSPENSION and STEERING

## Steering Column

Cars from 1985







## SUSPENSION AND STEERING

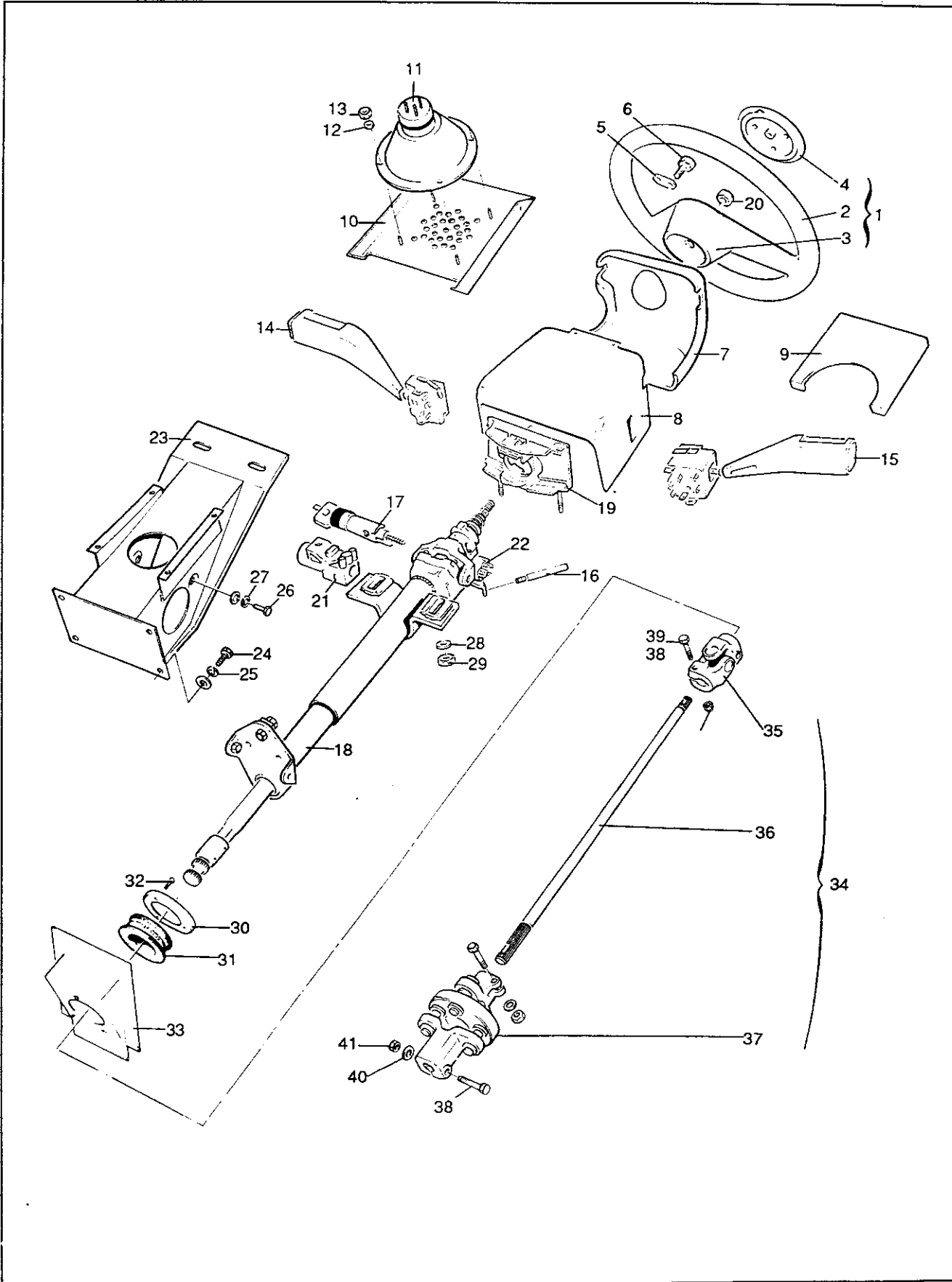
### Steering Column Cars from 1985

Illus No.	Part Number	Description	Qty	Remarks	
1	25.20400	Steering wheel and boss assembly - Black	1	} Certain cars have special trim colours	
2	25.20518	Steering wheel, leather covered - Black	1		
3	25.20519	Steering wheel boss, leather covered - Black	1		
-	25.20520	Retaining ring	1		
-	25.20521	Screw, M5 x 20, countersunk head	9		
4	25.22251	Horn push assembly, Black	1		
-	36.19068	Badge, horn push	1		
5	25.20795	Lockplate	1		
6	692138	Screw, M10 x 20	1	} Lock plate to boss	
-	692068	Washer, shakeproof M10	1		
-	83.20388	Cowl - rear	1	} Matched pair	
-	83.20409	Cowl - top	1		
7	83.21277	Cowl - rear	1	} Matched pair	
8	83.21275	Cowl - top	1		
-	628.000.1004	Screw, No.10 x 1/2 in.	2		
-	692126	Screw, M4 x 8	1		
-	692172	Spire nut, No. 6	4		
-	690369	Screw, No.6 x 1/2 in., Self tapping	5	} 5 on later cars	
-	112183	Cupwasher No.6	6		
-	653.000.0603	Screw, No.6 x 3/8 in., Self tapping	2		
-	628.000.0602	Screw, No.6 x 1/2 in., Self tapping	2		
9	69.20641	Finisher, steering column	1		} Cowl fixings
10	69.20489	Finisher, steering column, lower	1		
11	37.13239	Speaker	1		
12	692054	Washer, plain, M4	4	} Speaker to finisher panel	
13	692314	Nut, Nyloc, M4	4		
-	692088	Setscrew, M6 x 16	4	} Finisher panel to binnacle panels	
-	692056	Washer, plain, M6	4		
-	692066	Washer, shakeproof, M6	4		
-	692076	Nut, plain, M6	4		
14	37.20362	Switch, two-speed wipe and wash	1		
15	37.20363	Switch, indicator/headlamp dip/flash and horn	1		
16	25.20567	Tilt lever, Steering column	1		
17	25.20742	Ignition switch and keys	1	Part of lock set 65.20833	
18	25.21390	Upper steering column assembly	1		
19	25.22248	Housing, column switches	1		
20	25.22249	Nut, plain, M14	1	} Steering wheel assembly to column	
-	25.22250	Spring	1		
21	25.22245	Steering lock assembly	1		
-	25.22246	Bolt, shearhead	2		
-	25.22247	Washer, shearhead bolts	2		
22	37.20361	Ignition switch block	1	Euro cars	
-	37.20360	Ignition switch block	1	USA cars	
-	25.10979	Nylon sleeve	1		
-	25.14429	Nylon sleeve	1		
23	25.20154	Upper mounting bracket assembly	1		
-	691729	Spire clip, No. 6	4	} Mounting bracket to chassis	
24	692089	Setscrew, M8 x 16	4		
25	692047	Washer, spring, M8	4		

# SUSPENSION and STEERING

## Steering Column

Cars from 1985





## SUSPENSION AND STEERING

### Steering Column Cars from 1985

Illus No.	Part Number	Description	Qty	Remarks
26	692262	Setscrew, M6 x 12	2	} Upper steering column to mounting bracket
27	692056	Washer, plain, M6	2	
28	119473	Washer, plain, 7/16 in.	2	
-	119483	Washer, spring, 7/16 in.	2	
29	541007	Nut, plain, 7/16 in. UNF	2	
30	25.11690	Seal, bracket	1	
31	25.10978	Seal, bulkhead	1	
32	692228	Screw, M4 x 10	3	
-	692044	Washer, spring, M4	3	
-	692054	Washer, plain, M4	3	
33	20.19803	Panel assembly, (4 holes)	1	} Part of chassis assembly
-	20.19776	Gasket	2	
-	20.19805	Blanking plate	1	} Part of chassis assembly
-	20.21112	Panel assembly, (4 slots)	1	
-	-	Sealer	as reqd	
-	20.21114	Blanking plate	1	
34	25.11022	Lower steering column	1	
35	25.10980	Universal joint	1	
36	25.11023	Shaft	1	
37	25.11024	Rubber coupling	1	
38	692139	Bolt, M8 x 35	4	2 only required from Sept.1989
39	692250	Bolt, M8 x 40; (for universal joint)	2	From Sept.1989
-	692047	Washer, spring, M8	4	
40	692057	Washer, plain, M8	4	
41	692077	Nut, plain, M8	4	
-	692135	Nut, Nyloc, M8	4	From Sept. 1989

# SUSPENSION and STEERING

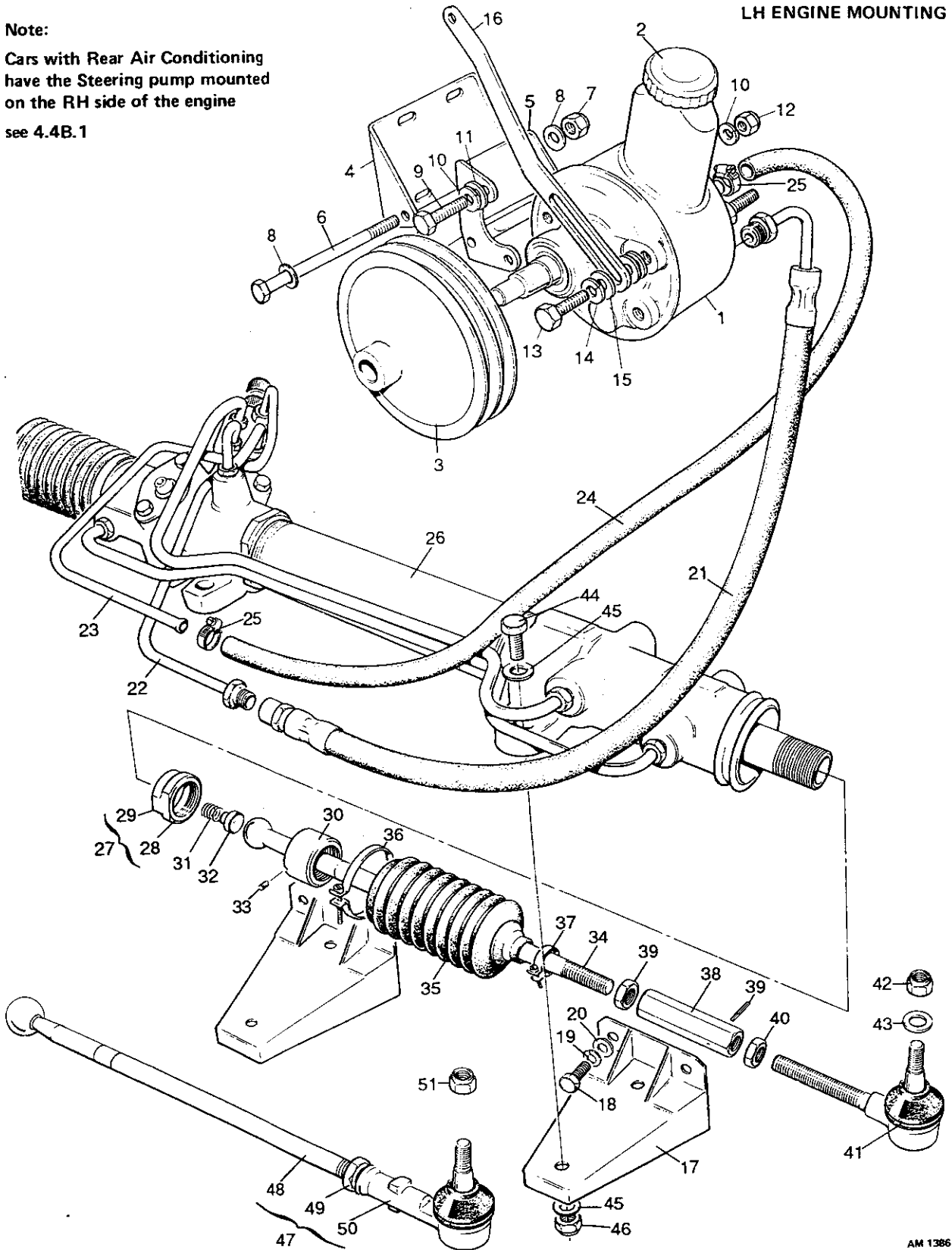


## Power Steering

### Early Carburettor Cars

**Note:**  
Cars with Rear Air Conditioning have the Steering pump mounted on the RH side of the engine see 4.4B.1

LH ENGINE MOUNTING



AM 1386



## SUSPENSION AND STEERING

### Power Steering Early Carburettor Cars

Illus No.	Part Number	Description	Qty	Remarks
1	24.14529	Hydraulic pump assembly	1	Metric fasteners from Chassis No. 13036
-	095.024.0001	Hydraulic pump assembly	1	Imperial fasteners up to Chassis No. 13035
2	24.25851	Cap and dipstick assembly	1	
3	24.15078	Pulley	1	
-	-	Belt, crankshaft/water pump/power steering pump	2	See section 1.4 B
4	080.024.0004	Pump bracket, engine	1	
-	542004	Nut, Nyloc, 1/4 in. UNF	4	} Bracket to engine
-	119470	Washer, plain, 1/4 in.	4	
5	080.024.0005	Pump bracket, pump	1	
6	520634	Bolt, 3/8 in. UNF x 4.1/4 in.	1	} Bracket pivot
7	123113	Nut, Nyloc, 3/8 in. UNF	1	
8	119472	Washer, plain, 3/8 in.	2	
9	692138	Screw, M10 x 20	2	
-	510606	Screw, 3/8 in. UNC x 3/4 in.	2	} Bracket to pump
10	692048	Washer, spring M10	3	
-	119482	Washer, spring, 3/8 in.	3	
11	692058	Washer, plain, M10	3	} Metric fasteners from Chassis No. 13036
-	119472	Washer, plain, 3/8 in.	3	
12	692078	Nut, M10	1	} Imperial fasteners up to Chassis No. 13035
-	544006	Nut, plain, 3/8 in. UNC	1	
13	692185	Screw, M10 x 25	1	
-	510608	Screw, 3/8 in. UNC x 1 in.	1	} Adjusting link to pump
14	692048	Washer, spring, M10	1	
-	119482	Washer, spring, 3/8 in.	1	
15	692058	Washer, plain, M10	3	
-	119472	Washer, plain, 3/8 in.	3	
16	24.23223	Adjusting link	1	
17	24.17496	Mounting bracket assembly	2	
18	692087	Setscrew, M8 x 20	8	
19	692047	Washer, spring, M8	8	
20	692057	Washer, plain, M8	8	
-	24.11752	Hose assembly - feed, RHD	1	Up to Chassis No.13035
21	24.14570	Hose assembly - feed, RHD	1	From Chassis No. 13036
-	24.15686	Hose assembly - feed, LHD	1	
22	24.11754	Oil pipe assembly, feed from pump - RHD	1	
-	24.15687	Oil pipe assembly, feed from pump - LHD	1	
23	24.11753	Oil pipe assembly, return to pump - RHD	1	
24	080.024.0134	Return hose, RHD	1	Cut to length required
-	24.15688	Return hose and pipe assembly, LHD	1	
25	110883	Clip, worm drive, hose, No. 00	2	1 only required on LHD cars
26	24.10811	Power steering unit, RHD	1	} Supplied without items 27 to 43
-	24.15685	Power steering unit, LHD	1	
27	24.11246	Lock stop assembly	2	
28	24.11247	Nut	2	} Parts of item 27
29	24.11248	Tube	2	
30	24.11249	Ball housing	2	

# SUSPENSION and STEERING

## Power Steering

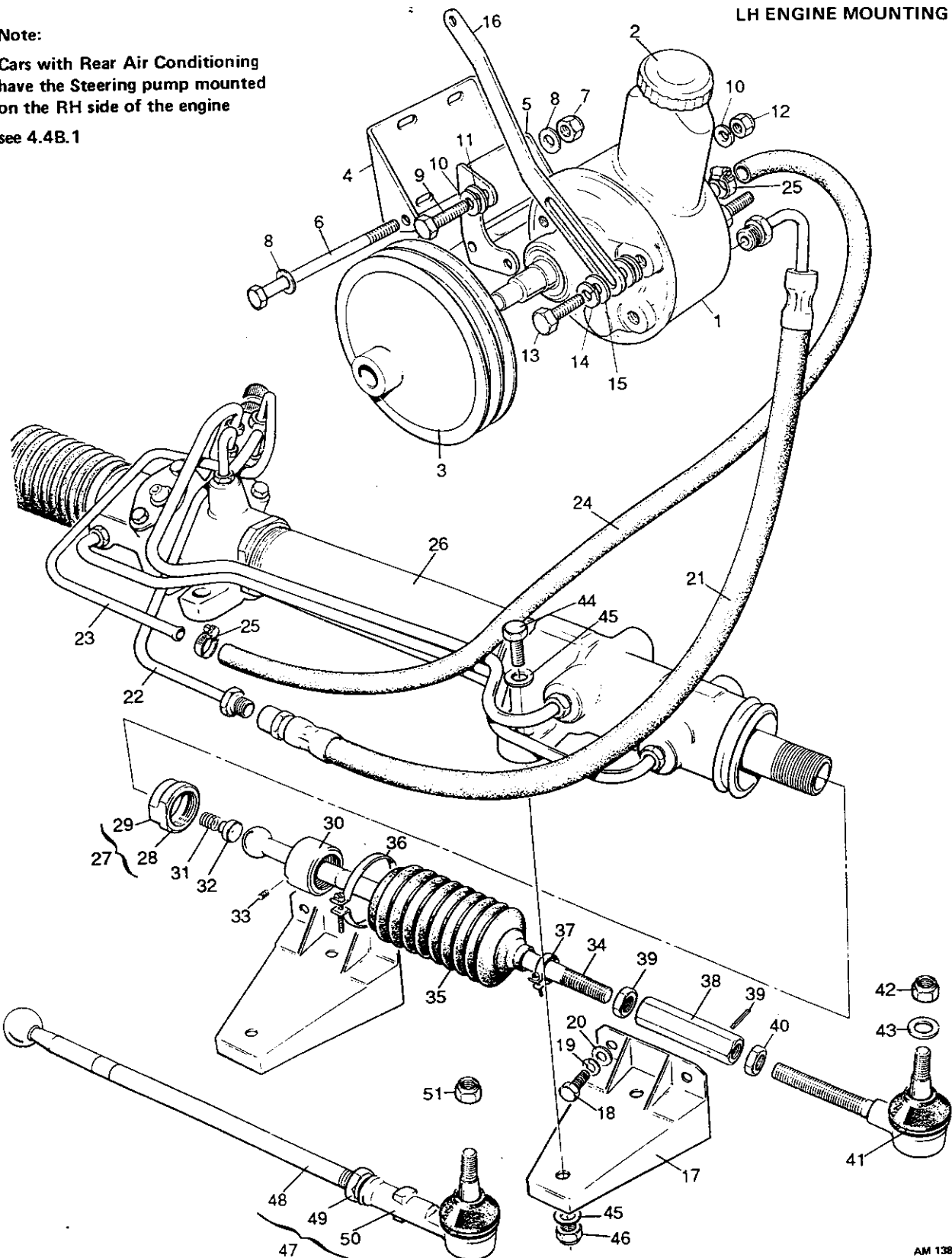
### Early Carburettor Cars



Note:

Cars with Rear Air Conditioning have the Steering pump mounted on the RH side of the engine see 4.4B.1

LH ENGINE MOUNTING



AM 1386



## SUSPENSION AND STEERING

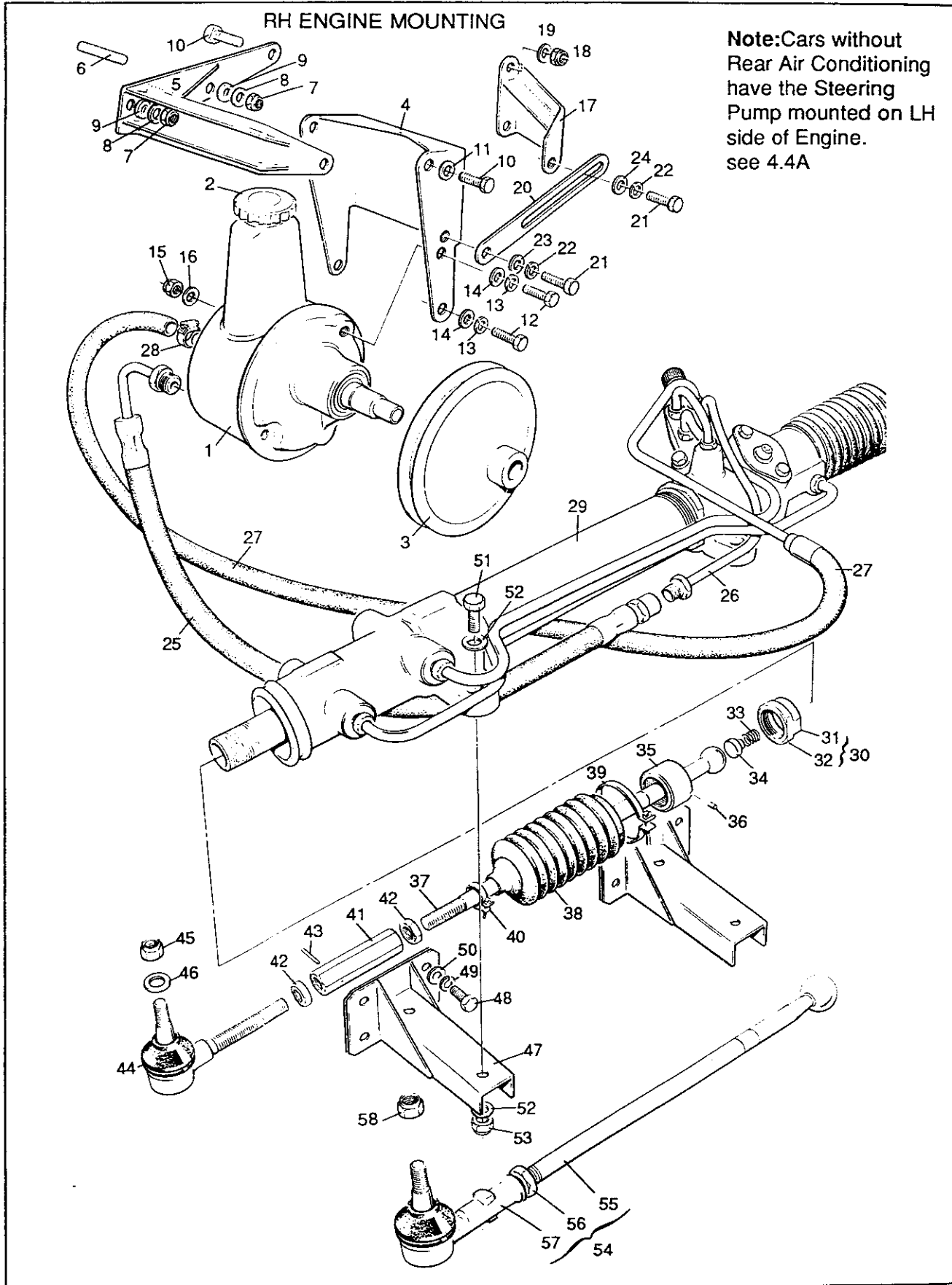
### Power Steering Early Carburettor Cars

Illus No.	Part Number	Description	Qty	Remarks
31	24.11250	Spring	2	
32	24.11251	Pad	2	
33	24.11252	Locking pin	2	
-	008182	Molybdenum disulphide grease	as reqd	
34	24.11191	Tie rod	2	Now obsolete. Use 2 off item 47
35	24.11253	Bellows	2	
36	24.11254	Clip, spring, large	2	
37	24.11255	Clip, spring, small	2	
38	24.16063	Adjusting nut	2	Tie rod assembly, item 34 only
39	691461	Tension pin	2	
40	692232	Locknut, M14	4	Not required with later tie rod assembly
41	24.11203	Track rod end	2	
42	690154	Nut, Nyloc, 7/16 in. UNF	2	
-	692576	Loctite 'Studlock'	as reqd	
43	119473	Washer, plain, 7/16 in.	2	
44	692708	Bolt, M10 x 35	4	
45	692058	Washer, plain, M10	8	
46	692034	Nut, Nyloc, M10	4	
47	24.21345	Tie rod and track rod end assembly	2	Later cars
48	-	Tie rod	2	
49	24.19459	Locknut, M14	2	
50	24.21346	Track rod end	2	
51	693192	Nut, Nyloc, M10	2	
-	692576	Loctite, 'Studlock'	as reqd	
	<b>Note:</b>			
	24.10811	Power steering unit, RHD		
	24.15685	Power steering unit, LHD		
		are now obsolete. Use later units below:		
	24.20120	Power steering unit, RHD	1	
	24.20121	Power steering unit, LHD	1	

# SUSPENSION and STEERING

## Power Steering

### Later Carburettor Cars with Rear Air Conditioning







## SUSPENSION AND STEERING

### Power Steering

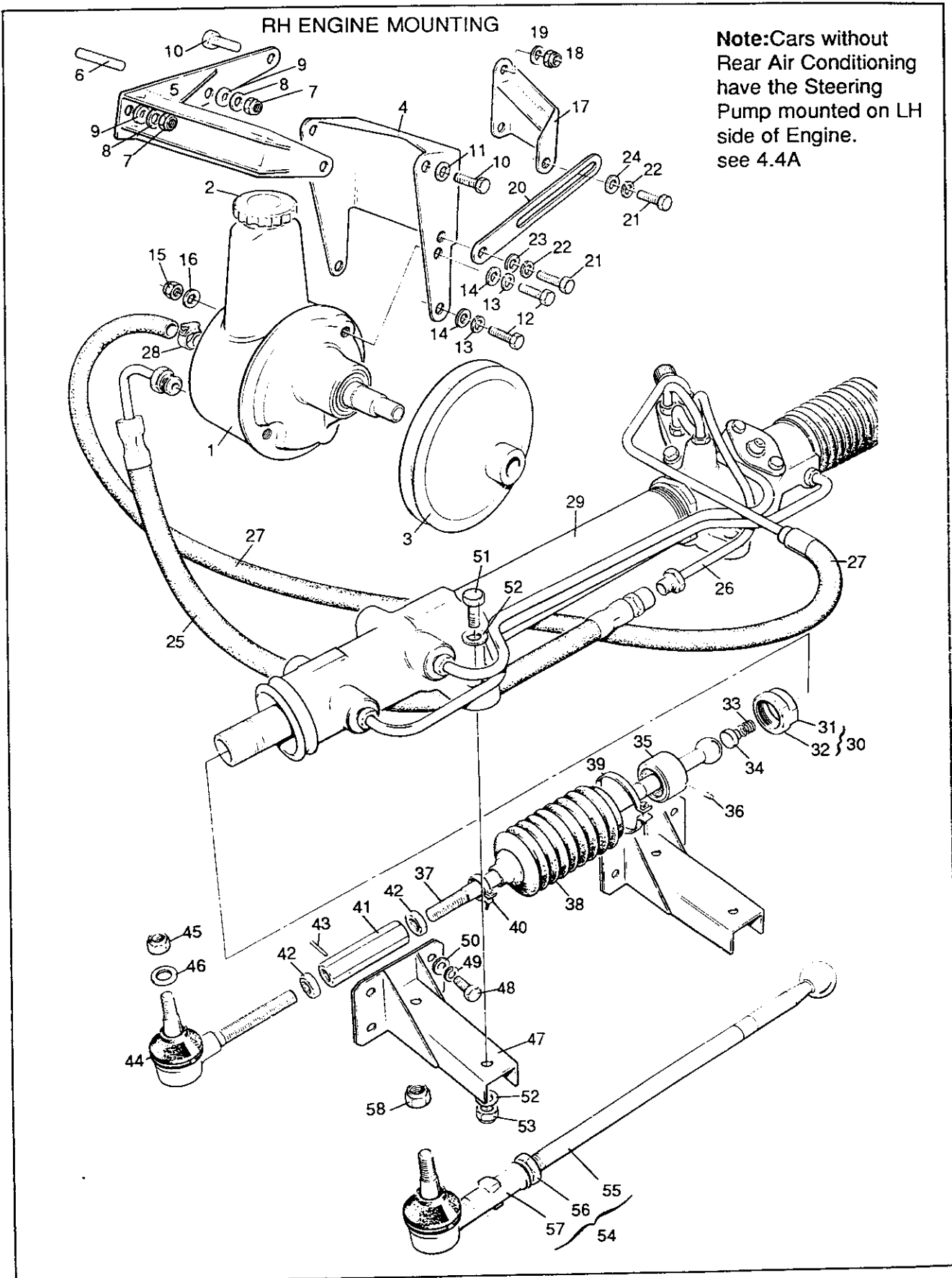
#### Later Carburettor Cars with Rear Air Conditioning

Illus No.	Part Number	Description	Qty	Remarks
1	24.14529	Hydraulic pump assembly	1	
2	24.25851	Cap and dipstick assembly	1	
3	24.17041	Pulley	1	
-		Belt, crankshaft/power steering pump	1	See section 1.4 B
4	24.17046	Pump cradle bracket	1	
5	24.17042	Pump engine bracket	1	Early Cars. Replace with later item. Replace also item 17.
-	24.17685	Pump engine bracket	1	Later cars
6	691355	Stud, 1/4 in. UNF/C x 1.38 in.	4	
7	123116	Nut, Nyloc, 1/4 in. UNF	4	} Bracket to engine
8	119480	Washer, spring, 1/4 in.	4	
9	119470	Washer, plain, 1/4 in.	4	
10	692140	Bolt, M8 x 20	2	} Cradle bracket pivot
11	692047	Washer, spring, M8	2	
-	692057	Washer, plain, M8	6	
12	692138	Screw, M10 x 20	2	} Cradle bracket to pump
13	692048	Washer, spring, M10	2	
14	692058	Washer, plain, M10	2	
15	692078	Nut, plain, M10	1	
16	692048	Washer, spring, M10	1	
-	692058	Washer, plain, M10	1	
17	24.17049	Mounting bracket, adjusting link	1	Early Cars. Replace with later item. Replace also item 5
-	24.17690	Mounting bracket, adjusting link	1	Later Cars
18	123115	Nut, Nyloc, 5/16 in. UNF	2	
19	119481	Washer, spring, 5/16 in.	2	
-	119471	Washer, plain, 5/16 in.	2	
20	24.17048	Adjusting Link	1	
21	692089	Screw, M8 x 16	2	
22	692047	Washer, spring, M8	2	
23	692057	Washer, plain, M8	1	
24	690270	Washer, plain,	1	
25	24.14570	Hose assembly - feed	1	RHD / LHD
26	24.17038	Oil pipe assembly, feed from pump	1	LHD
-	24.17380	Oil pipe assembly, feed from pump	1	RHD
27	24.17039	Return pipe and hose assembly	1	LHD
-	24.17379	Oil pipe assembly, return to pump	1	RHD
-	080.024.0134	Return hose	1	RHD
28	110883	Hose clip, worm drive, size 00	1	2 required on RHD cars
29	24.15685	Power steering unit, LHD	1	Supplied without
-	24.10811	Power steering unit, RHD	1	items 30-46.
				Now obsolete. Use later units as listed at the end of this section.
30	24.11246	Lockstop assembly	2	Not required on later steering units
31	24.11248	Tube	2	} Parts of item 30
32	24.11247	Nut	2	
33	24.11250	Spring	2	
34	24.11251	Pad	2	

# SUSPENSION and STEERING

## Power Steering

### Later Carburettor Cars with Rear Air Conditioning





## SUSPENSION AND STEERING

### Power Steering

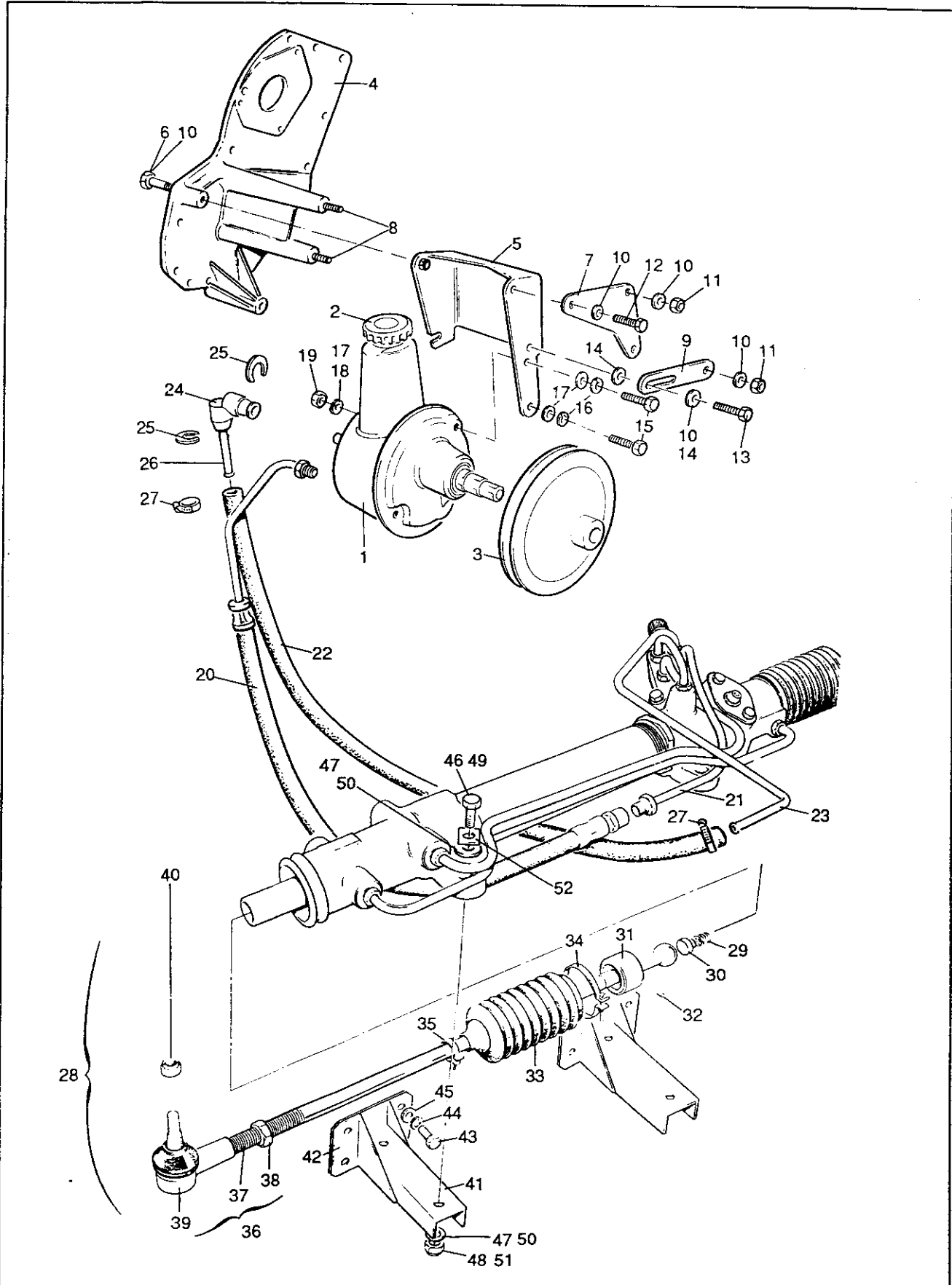
#### Later Carburettor Cars with Rear Air Conditioning

Illus No.	Part Number	Description	Qty	Remarks
35	24.11249	Ball housing	2	
36	24.11252	Locking pin	2	
-	008182	Molybdenum disulphide grease	as reqd	
37	24.11191	Tie rod	2	Now obsolete. Use 2 off item 54
38	24.11253	Bellows	2	
39	24.11254	Clip, spring, large	2	
40	24.11255	Clip, spring, small	2	
41	24.16063	Adjusting nut	2	Tie rod assembly, item 37 only
42	692232	Locknut M14	4	} Not required with later tie rod assembly
43	691461	Tension pin	2	
44	24.11203	Track rod end	2	
45	690154	Nut, Nyloc, 7/16 in. UNF	2	
-	692576	Loctite 'Studlock'	as reqd	
46	119473	Washer, plain, 7/16 in.	2	
47	24.17496	Mounting bracket assembly	2	
48	692087	Screw, M8 x 20	8	
49	692047	Washer, spring, M8	8	
50	692057	Washer, plain, M8	8	
51	692708	Bolt, M10 x 35	4	
52	692058	Washer, plain M10	8	
53	692034	Nut, Nyloc, M10	4	
-	24.20120	Power steering unit, RHD	1	From chassis No. TBA
-	24.20121	Power steering unit, LHD	1	From chassis Nos. 13399/13404
54	24.21345	Tie rod and track rod end assembly	2	} Later cars
55	-	Tie rod	2	
56	24.19459	Locknut, M14	2	
57	24.21346	Track rod end	2	
58	693192	Nut, Nyloc, M10	2	
-	692576	Loctite, 'Studlock'	as reqd	

# SUSPENSION and STEERING

## Power Steering

### EFI Cars





# SUSPENSION AND STEERING

Power Steering

EFI Cars

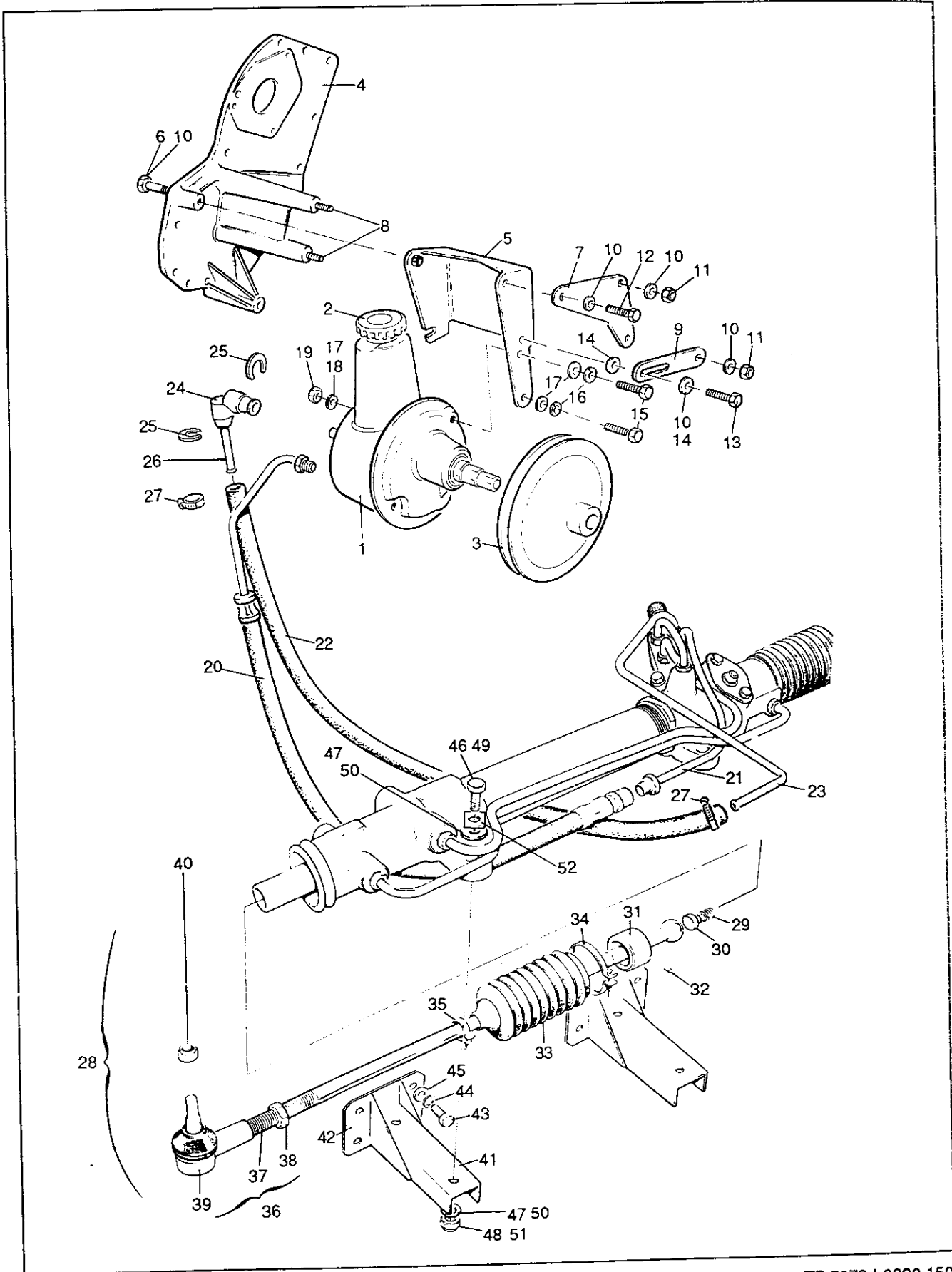
Illus No.	Part Number	Description	Qty	Remarks
1	24.14529	Hydraulic pump assembly, metric	1	
2	24.25851	Cap and dipstick assembly	1	
3	24.17041	Pulley	1	See section 1.3
4	-	Front cover RH, 'A' Bank	1	
5	24.17046	Pump cradle bracket	1	Cradle bracket pivot
6	692196	Bolt, M8 x 60	1	
7	07.21150	Mounting plate	2	
8	692773	Stud, M8 x 30	1	
9	07.21149	Adjusting link	5	
10	692057	Washer, plain, M8	5	
-	692047	Washer, spring, M8	2	
11	692077	Nut, plain, M8	1	Cradle bracket pivot
12	692087	Bolt, M8 x 20	1	} Adjusting link to cradle bracket
13	692129	Bolt, M8 x 25	2	
14	07.21151	Spacer, 3 mm thick	2	} Hydraulic pump to cradle bracket
15	692138	Screw, M10 x 20	2	
16	692048	Washer, spring, M10	3	
17	692058	Washer, plain, M10	1	
18	692048	Washer, spring, M10	1	
19	692078	Nut, plain, M10	1	LHD
20	24.21728	Hose assembly, feed	1	RHD
-	24.21465	Hose assembly, feed	1	LHD
21	24.21585	Oil pipe assembly, feed from pump	1	RHD
-	24.17380	Oil pipe assembly, feed from pump	1	RHD / LHD
22	080.024.0134	Return hose	1	LHD
23	24.21704	Oil pipe assembly, return to pump	1	RHD
-	24.17379	Oil pipe assembly, return to pump	1	
24	24.21678	Elbow connector	2	
25	24.21741	Clip	1	
26	24.21743	Stub pipe	2	
27	110883	Hose clip, worm drive, size 00	1	LHD
28	24.20121	Power steering unit	1	RHD
-	24.20120	Power steering unit	2	
29	24.11250	Spring	2	
30	24.11251	Pad	2	
31	24.11249	Ball housing	2	
32	24.11252	Locking pin	2	
-	008182	Molybdenum disulphide grease	as reqd	
33	24.11253	Bellows	2	
34	24.11254	Clip, spring, large	2	
35	24.11255	Clip, spring, small	2	
36	24.21345	Tie rod and track rod end assembly	2	
37	-	Tie rod	2	
38	24.19459	Locknut, M14	2	
39	24.21346	Track rod end	2	
40	693192	Nut, Nyloc, M10	as reqd	
-	692576	Loctite, 'Studlock'		

# SUSPENSION and STEERING



## Power Steering

EFI Cars





## SUSPENSION AND STEERING

Power Steering  
EFI Cars

Illus No.	Part Number	Description	Qty	Remarks
-	24.17496	Mounting bracket assembly	2	Early cars Cars from July 1986. Fit in pairs when replacing 24.17496 mounting bracket.
41	24.22641	Mounting bracket assembly	2	
42	18.22638	Mounting plate, crossbeam	2	
43	692087	Screw, M8 x 20	8	Early cars
44	692047	Washer, spring, M8	8	
45	692057	Washer, plain, M8	4	
46	692708	Bolt, M10 x 35	8	
47	692058	Washer, plain, M10	4	Cars from 1985
48	692034	Nut, Nyloc, M10	4	
49	24.22098	Bolt, 3/8 in. UNF x 1.1/2 in.	8	Cars from 1986
50	119472	Washer, plain, 3/8 in.	4	
51	123113	Nut, Nyloc, 3/8 in.	4	
52	24.26226	Washer, special, square, 4 mm thick	4	





**BRAKES, WHEELS AND TYRES**

**Contents**

<b>BRAKES, WHEELS AND TYRES</b>	<b>5</b>
<b>Front Brakes</b>	<b>5.1</b>
<b>Rear Brakes</b>	<b>5.2</b>
<b>Handbrake</b>	<b>5.3</b>
<b>Pedal Gear</b>	<b>5.4</b>
<b>Wheels and Tyres</b>	<b>5.5</b>

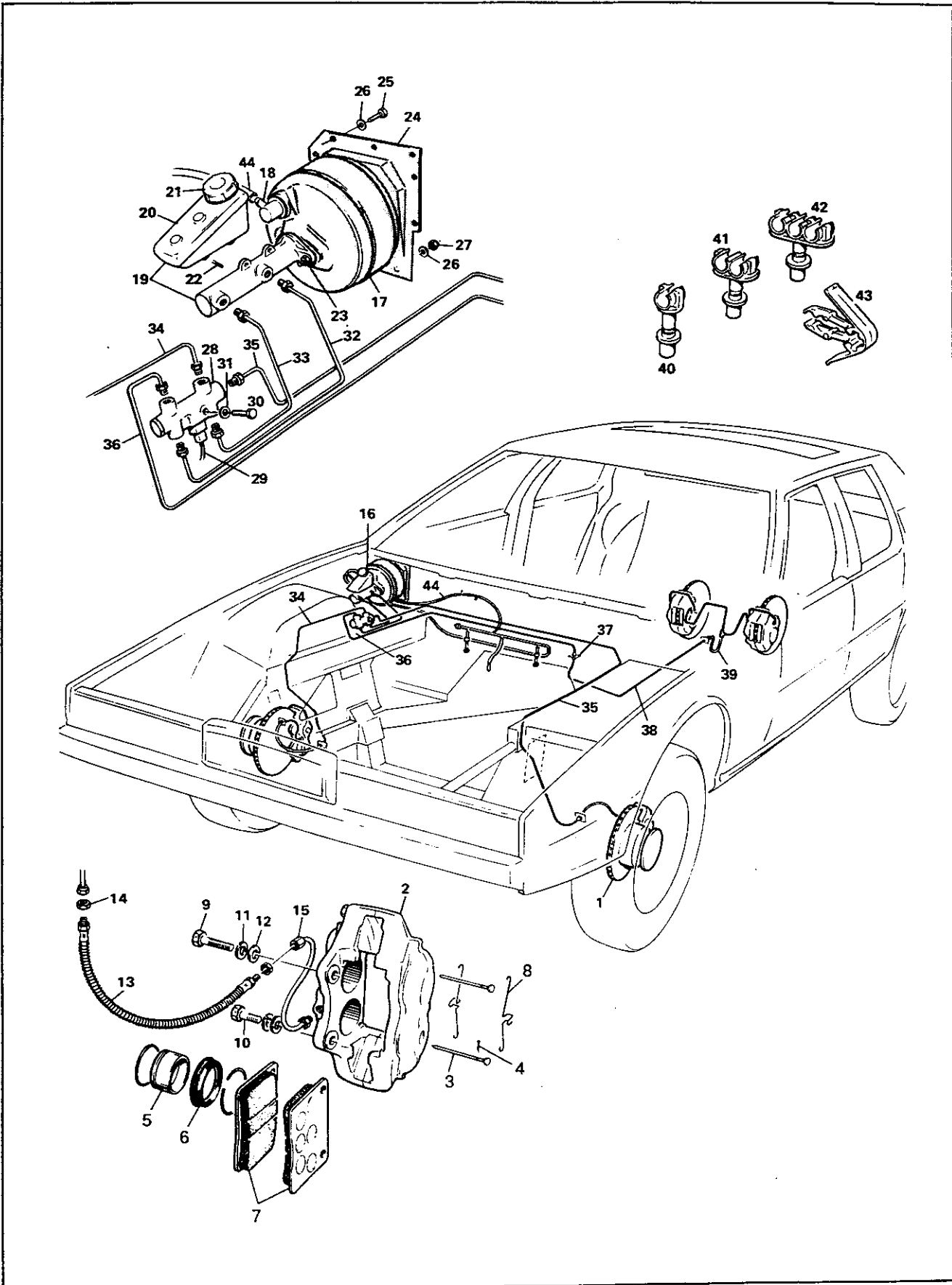


**SECTION 5**  
**BRAKES AND PEDAL GEAR**

# BRAKES, WHEELS AND TYRES



## Front Brakes RHD Cars





## BRAKES, WHEELS AND TYRES

Front Brakes

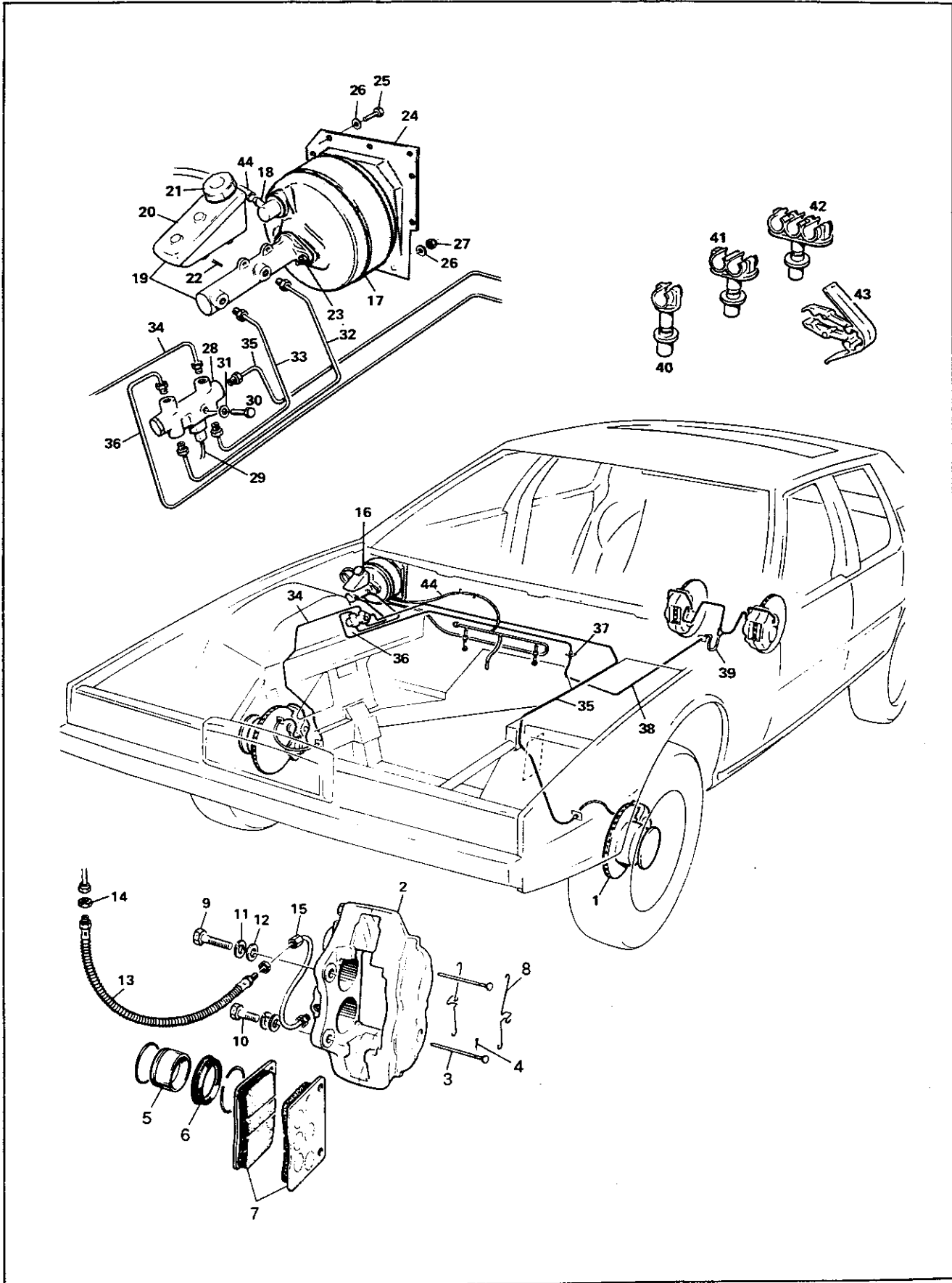
RHD Cars

Illus No.	Part Number	Description	Qty	Remarks
1	-	Brake disc	2	See section 4.2B
-	96.14762	Brake caliper, RH	1	
2	96.14761	Brake caliper, LH	1	
3	048.028.0764	Brake pad pin	4	
4	048.028.0730	Clip	4	
5	96.14763	Caliper piston	8	
-	96.14764	Caliper bleed-screw	2	
6	96.13102	Caliper seal kit	1	
7	96.13099	Brake pads	1 set	
8	96.14765	Brake pad spring	4	
9	28.10981	Caliper bolt, special, long, M12 x 50	2	
10	28.10982	Caliper bolt, special, short, M12 x 35	2	
11	692049	Washer, spring, M12	4	
12	692059	Washer, plain, M12	4	Front caliper attachment
-	113489	Locking-wire, copper, caliper bolts	as reqd	
-	695393	Locking-wire, stainless, caliper bolts. Later cars	as reqd	
-	690937	Shim, 0.010 in.	as reqd	
-	020.027.0775	Shim, 0.020 in.	as reqd	
-	020.027.0774	Shim, 0.005 in.	as reqd	
13	33.10833	Brake hose	2	
14	33.11490	Nut, M10	2	
-	33.11491	Washer, M10, internal shakeproof	2	
15	33.11495	Brake pipe, caliper	2	
16	33.10835	Servo and brake master cylinder assembly	1	
17	96.14667	Brake servo	1	
18	96.14672	Kit, non-return valve, servo	1	
19	96.14668	Master cylinder and reservoir	1	
20	96.14674	Reservoir and cap assembly	1	
21	96.14675	Filler cap	1	
22	96.14676	Pin, reservoir to master cylinder	2	
23	96.14669	Nut, master cylinder to servo	2	
-	96.14670	Washer, master cylinder to servo	2	
-	96.14671	Kit, servo service	1	
-	96.14673	Master cylinder seal kit	1	
24	33.11050	Servo mounting bracket	1	Early cars
-	33.15673	Servo mounting bracket	1	Later cars from Mid 1980
-	33.19750	Servo mounting bracket	1	From chassis no.13380 approx
-	692047	Washer, spring, M8	4	} Servo to bracket
-	692135	Nut, Nyloc, M8	4	
-	692547	'Loctite' sealer	as reqd	
-	33.11324	Gasket	1	
-	33.19743	Gasket	1	From chassis no.13380 approx
25	692089	Screw, M8 x 16	4	
-	692297	Screw, M8 x 16, c/sunk hd.	2	} From chassis no. 13380 approx.
-	692260	Screw, M8 x 70	2	
26	692057	Washer, plain, M8	8	
27	692135	Nut, Nyloc, M8	8	
-	692547	'Loctite' sealer	as reqd	
28	33.11489	Pressure differential warning actuator (PDWA)	1	
29	097.037.0127	PDWA lead	1	

# BRAKES, WHEELS AND TYRES



## Front Brakes RHD Cars





## BRAKES, WHEELS AND TYRES

Front Brakes

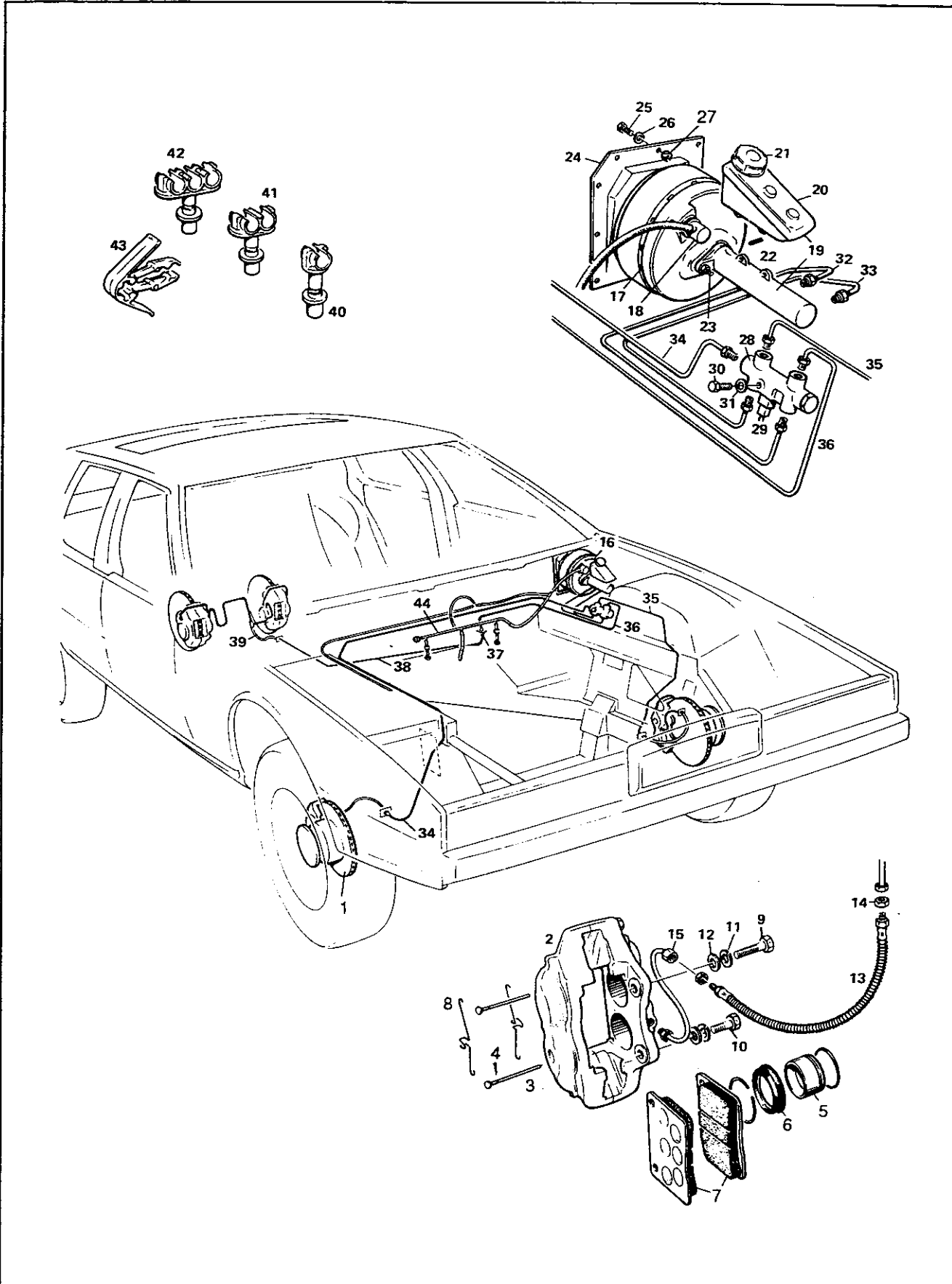
RHD Cars

Illus No.	Part Number	Description	Qty	Remarks
30	520414	Bolt, 1/4 in. UNF x 1.3/4 in.	1	
31	119470	Washer, plain, 1/4 in.	1	
-	123116	Nut, Nyloc, 1/4 in.	1	
32	33.11494	Brake pipe	1	} Master cylinder to PDWA
33	33.10837	Brake pipe	1	
34	33.10831	Brake pipe	1	PDWA to RH front hose
35	33.10832	Brake pipe	1	PDWA to LH front hose
36	33.10829	Brake pipe	1	PDWA to union
37	33.11492	Union, brake pipe	1	} Union to bulkhead } bracket
-	33.11491	Washer, internal shakeproof, M10	1	
-	33.11490	Nut, M10	1	Union to rear hose
38	33.10830	Brake pipe	1	} See section 5.2
39	33.10826	Rear brake hose	1	
-	33.11490	Nut, M10	2	
-	33.11491	Washer, internal shakeproof, M10	as reqd	
40	080.033.0138	Brake pipe clip	as reqd	
41	080.033.0139	Brake pipe clip	as reqd	
42	080.033.0140	Brake pipe clip	as reqd	
43	33.11176	Brake pipe clip	as reqd	Cars up to chassis no. 13539
44	-	Vacuum System - see Sect. 2.4		RHD cars

# BRAKES, WHEELS AND TYRES



## Front Brakes LHD Cars







## BRAKES, WHEELS AND TYRES

Front Brakes

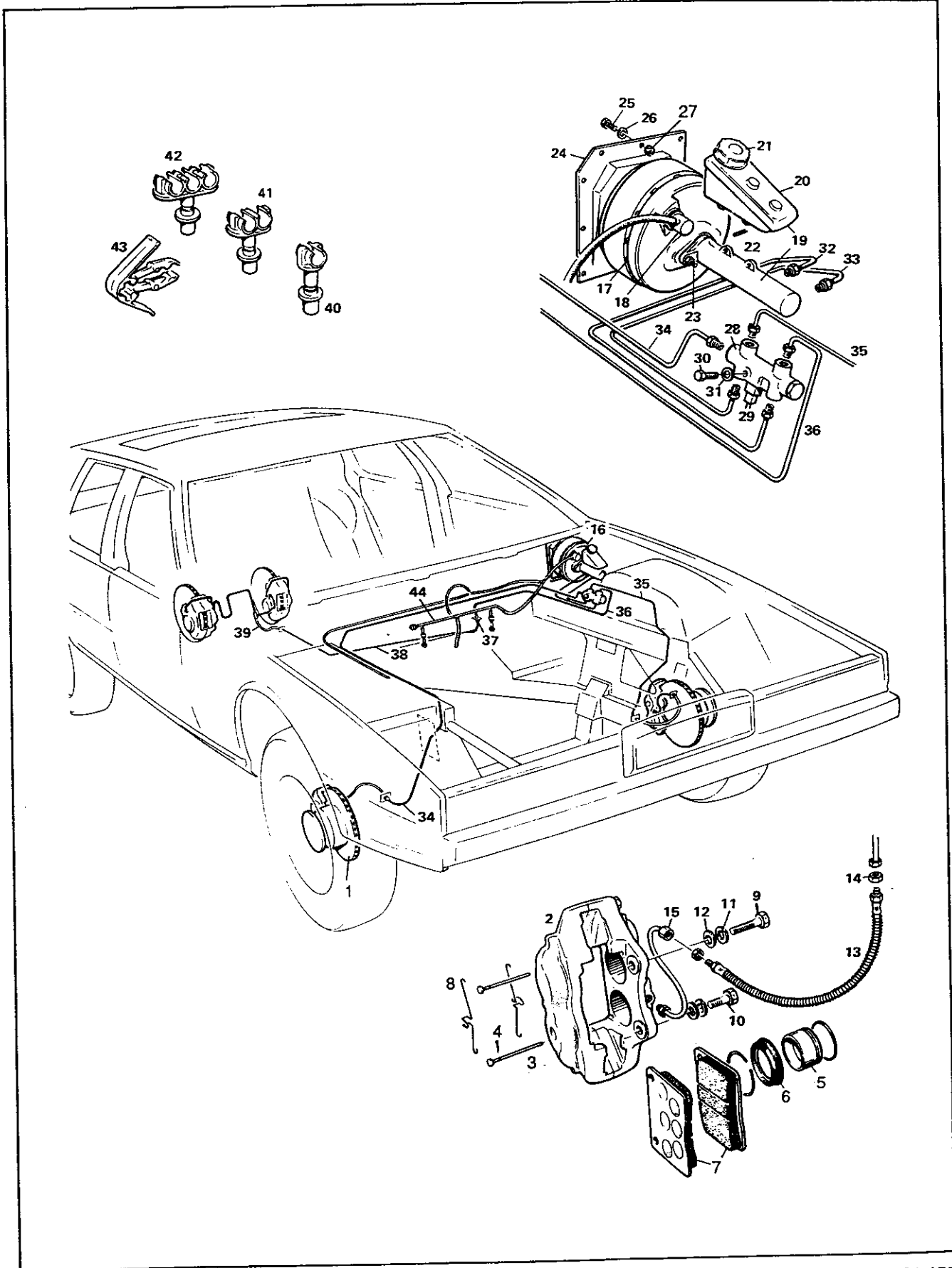
LHD Cars

Illus No.	Part Number	Description	Qty	Remarks
1	-	Brake disc	2	See section 4.2B
2	96.14762	Brake caliper, RH	1	
-	96.14761	Brake caliper, LH	1	
3	048.028.0764	Brake pad pin	4	
4	048.028.0730	Clip	4	
5	96.14763	Caliper piston	8	
-	96.14764	Caliper bleed-screw	2	
6	96.13102	Caliper seal kit	1	
7	96.13099	Brake pads	1 set	
8	96.14765	Brake pad spring	4	
9	28.10981	Caliper bolt, special, long, M12 x 50	2	
10	28.10982	Caliper bolt, special, short, M12 x 35	2	
11	692049	Washer, spring, M12	4	
12	692059	Washer, plain, M12	4	Front caliper attachment
-	113489	Locking-wire, copper, caliper bolts	as reqd	
-	695393	Locking-wire, stainless, caliper bolts. Later cars	as reqd	
-	690937	Shim, 0.010 in.	as reqd	
-	020.027.0775	Shim, 0.020 in.	as reqd	
-	020.027.0774	Shim, 0.005 in.	as reqd	
13	33.10833	Brake hose	2	
14	33.11490	Nut, M10	2	
-	33.11491	Washer, M10, internal shakeproof	2	
15	33.11495	Brake pipe, caliper	2	
16	33.10835	Servo and brake master cylinder assembly	1	
17	96.14667	Brake servo	1	
18	96.14672	Kit, non-return valve, servo	1	
19	96.14668	Master cylinder and reservoir	1	
20	96.14674	Reservoir and cap assembly	1	
21	96.14675	Filler cap	1	
22	96.14676	Pin, reservoir to master cylinder	2	
23	96.14669	Nut, master cylinder to servo	2	
-	96.14670	Washer, master cylinder to servo	2	
-	96.14671	Kit, servo service	1	
-	96.14673	Master cylinder seal kit	1	
24	33.15673	Servo mounting bracket	1	From chassis no.13380 approx
-	33.19750	Servo mounting bracket	1	} Servo to bracket
-	692047	Washer, spring, M8	4	
-	692135	Nut, Nyloc, M8	4	
-	692547	'Loctite' sealer	as reqd	
-	33.11324	Gasket	1	
-	33.19743	Gasket	1	From chassis no.13380 approx
25	692089	Screw, M8 x 16	4	
-	692297	Screw, M8 x 16, c/sunk hd.	2	} From chassis no. 13380 approx.
-	692260	Screw, M8 x 70	2	
26	692057	Washer, plain, M8	8	} See section 5.4 also
27	692135	Nut, Nyloc, M8	8	
-	692547	'Loctite' sealer	as reqd	
28	33.11489	Pressure differential warning actuator (PDWA)	1	
29	097.037.0127	PDWA lead	1	

# BRAKES, WHEELS AND TYRES



## Front Brakes LHD Cars





## BRAKES, WHEELS AND TYRES

Front Brakes

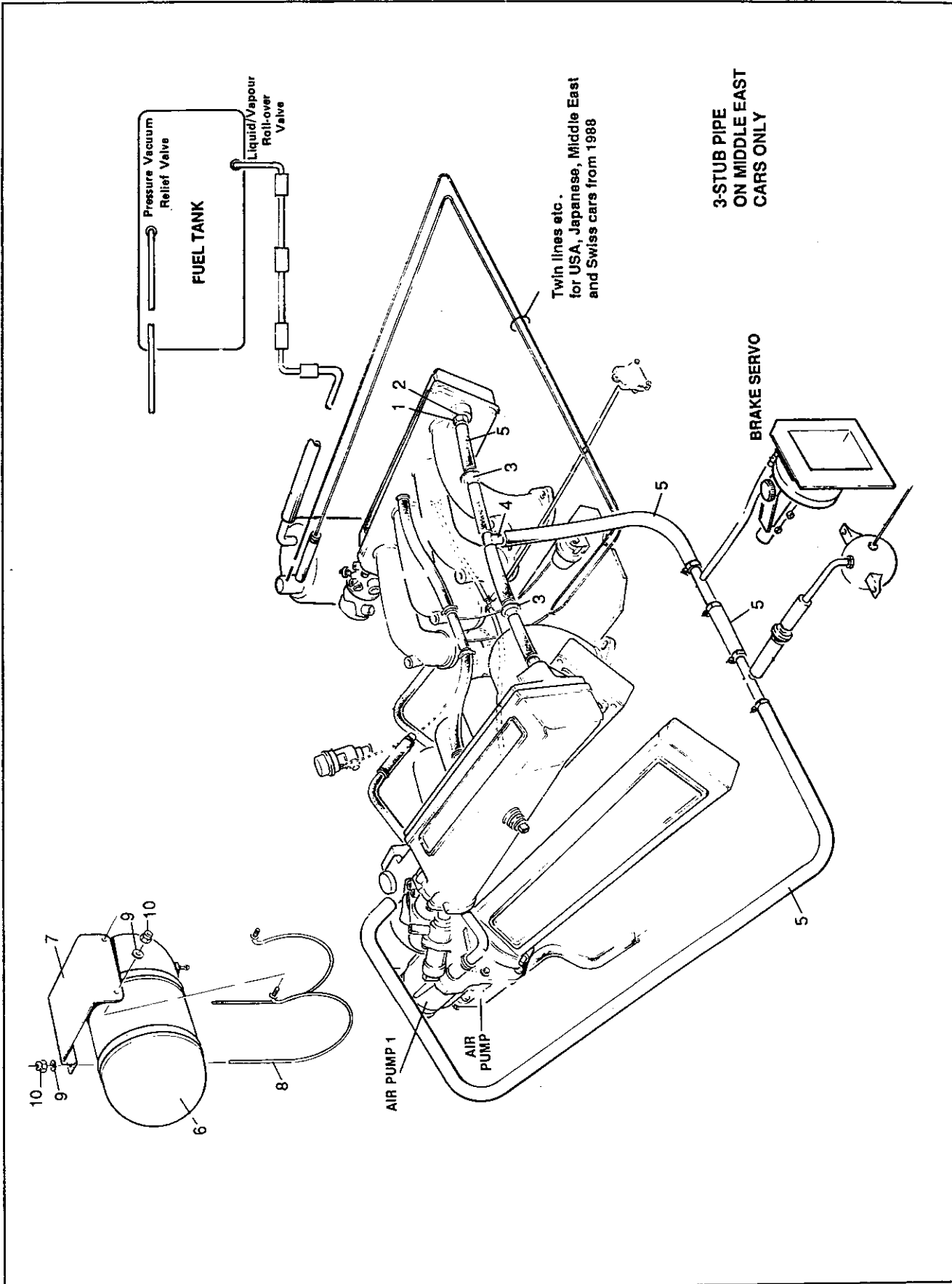
LHD Cars

illus No.	Part Number	Description	Qty	Remarks
30	520414	Bolt, 1/4 in. UNF x 1.3/4 in.	1	
31	119470	Washer, plain, 1/4 in.	1	
-	123116	Nut, Nyloc, 1/4 in.	1	
32	33.15667	Brake pipe	1	} Master cylinder to PDWA
33	33.15666	Brake pipe	1	
34	33.15668	Brake pipe	1	PDWA to RH front hose
35	33.15669	Brake pipe	1	PDWA to LH front hose
36	33.15670	Brake pipe	1	PDWA to union
37	33.11492	Union, brake pipe	1	} Union to bulkhead bracket
-	33.11491	Washer, internal shakeproof, M10	1	
-	33.11490	Nut, M10	1	Union to rear hose
38	33.10830	Brake pipe	1	} See section 5.2
39	33.10826	Rear brake hose	1	
-	33.11490	Nut, M10	1	
-	33.11491	Washer, internal shakeproof, M10	2	
40	080.033.0138	Brake pipe clip	as reqd	
41	080.033.0139	Brake pipe clip	as reqd	
42	080.033.0140	Brake pipe clip	as reqd	
43	33.11176	Brake pipe clip	as reqd	
44	-	Vacuum System - see Section 2.4		Cars up to chassis no. 13539

# BRAKES, WHEELS AND TYRES



## Front Brakes EFI Cars





**Section 5.1C**  
**BRAKES, WHEELS AND TYRES**

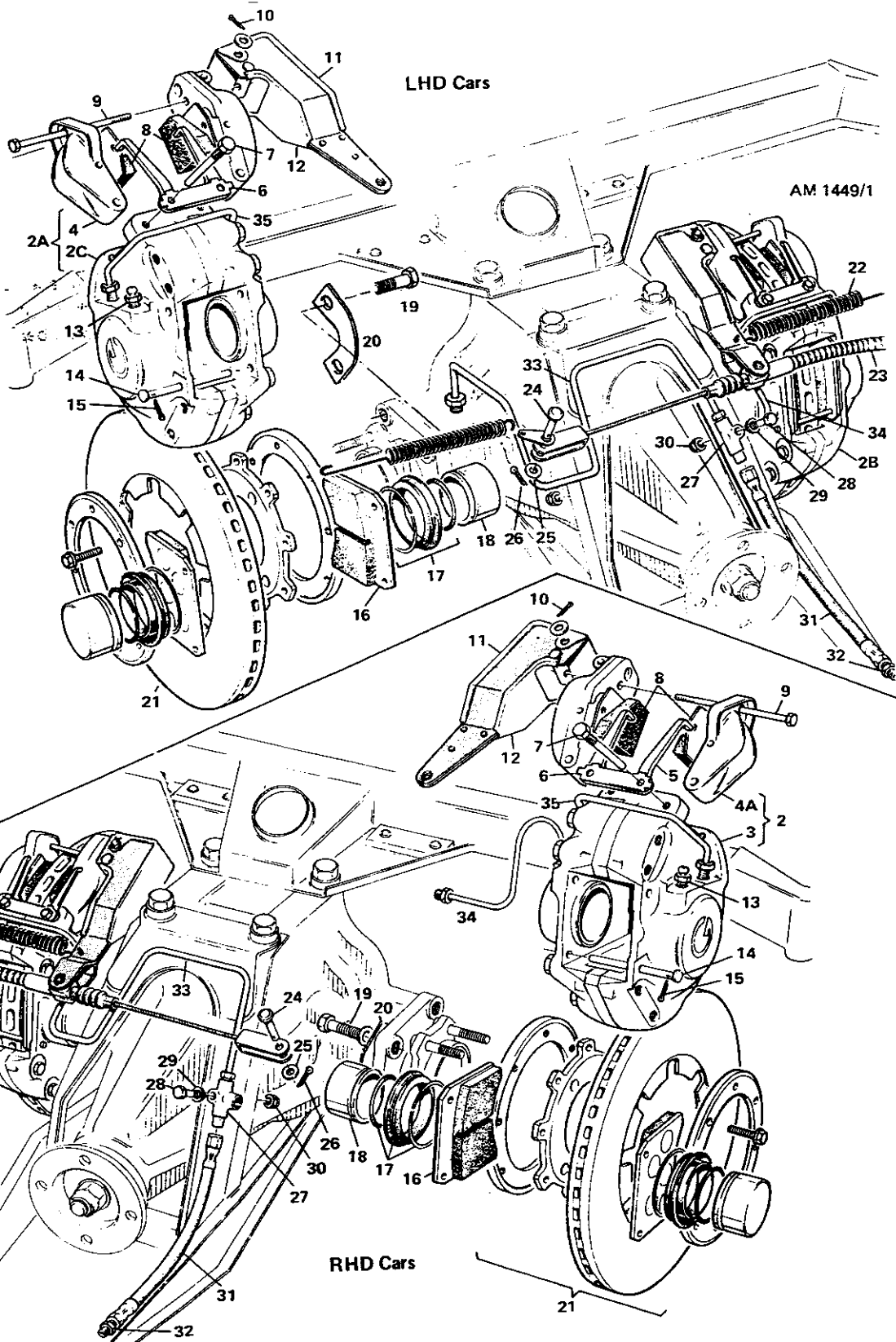
**Front Brakes**

**EFI Cars**

Illus No.	Part Number	Description	Qty	Remarks
1	08.16820	Hose adaptor	2	
2	022.033.0202	Washer, copper	2	
3	33.16742	Non-return valve	2	
4	692181	Tee piece, 10-10-10 mm	as reqd	
-	692634	Hose clips, 12-22 mm	as reqd	
5	692643	Hose, vacuum, 11/32 in. ID.	as reqd	
6	28.20878	Vacuum reservoir, brakes	1	
7	28.20877	Vacuum reservoir mounting bracket	1	
8	28.21155	Tie bar	2	} Vacuum reservoir to bracket and cross member
9	119470	Washer, plain, 1/4 in.	4	
10	123116	Nut, Nyloc, 1/4 in. UNF	4	
		<p><b>Note:</b> See section 2.4E for vacuum system.</p>		

# BRAKES, WHEELS AND TYRES

## Rear Brakes





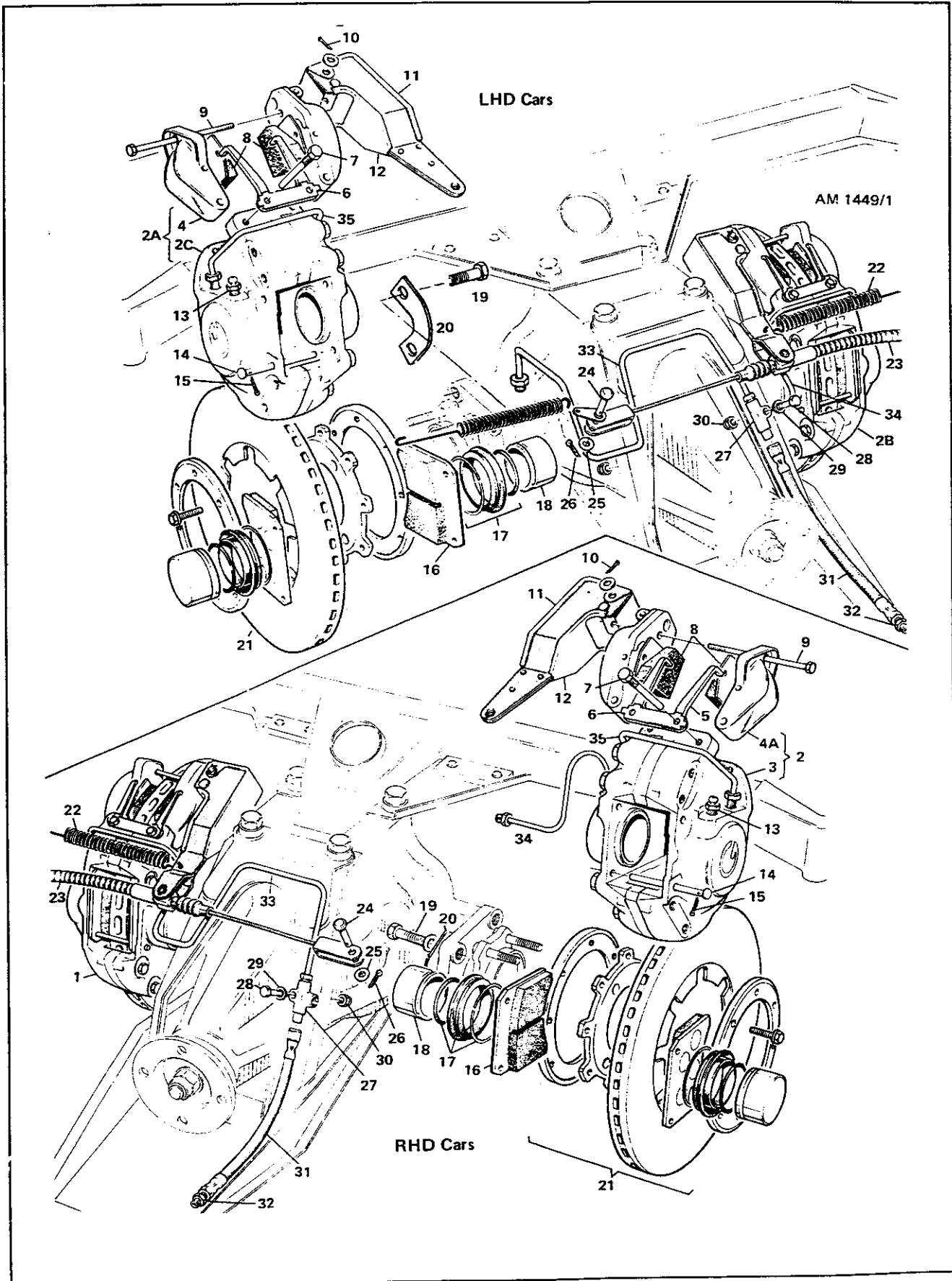
## BRAKES, WHEELS AND TYRES

## Rear Brakes

Illus No.	Part Number	Description	Qty	Remarks
1	28.10815	Brake caliper assembly, RH	1	RHD
2	28.10816	Brake caliper assembly, LH	1	RHD
2A	28.15682	Brake caliper assembly, RH	1	LHD
2B	28.15683	Brake caliper assembly, LH	1	LHD
2C	96.14767	Brake caliper body, RH	1	
3	96.14766	Brake caliper body, LH	1	
4	96.14769	Handbrake caliper, RH	1	} On LHD cars replace levers with existing levers from car
4A	96.14768	Handbrake caliper, LH	1	
5	96.14770	Handbrake retraction spring	2	
6	095.028.0728	Handbrake tabwasher	2	
7	96.14771	Handbrake bolt	4	
8	095.028.0717	Handbrake pads	1 set	
9	095.028.0719	Adjuster bolt	2	
-	119530	Split pin, 3/32 in. x 1.1/4 in.	2	
10	119520	Split pin, 1/16 in. x 1/2 in.	2	
-	095.028.0720	Pivot pin	2	
11	095.028.0724	Cover plate, outer	2	} Outer cover plate
12	095.028.0723	Cover plate, inner	2	
-	095.028.0725	Screw	2	
-	095.028.0726	Washer	2	
-	96.14774	Friction spring	2	
-	96.14775	Adjusting nut	2	
-	96.14776	Pawl	2	
-	96.14777	Spring	2	
-	96.14778	Lever return spring	2	
13	048.028.0770	Bleed screw	2	
14	048.028.0764	Brake pad pin	4	
15	048.028.0730	Clip	4	
16	080.028.0701	Brake pads	1 set	
17	96.14772	Caliper seal kit	1	
18	96.14763	Caliper piston	4	
19	080.028.0118	Caliper bolt	4	
20	28.17516	Lock plate	2	} Rear caliper attachment
-	690937	Shim, 0.010 in.	as reqd	
-	020.027.0775	Shim, 0.020 in.	as reqd	
-	020.027.0774	Shim, 0.005 in.	as reqd	
21	28.18721	Brake disc assembly	2	} Stamped min. thickness
-	28.19235	Brake disc assembly, USA cars	2	
22	020.030.0161	Return spring	2	} See section 5.3
23	-	Handbrake cable	1	
24	122340	Headed pin	1	
-	021.029.0190	Spring tab	1	
25	119471	Washer, plain, 5/16 in.	1	
26	119530	Split pin, 3/32 in. x 1.1/4 in.	1	
27	33.11493	Tee-piece	1	
28	692267	Bolt, M6 x 30	1	
29	692056	Washer, plain, M6	4	
30	692151	Nut, Nyloc, M6	1	

# BRAKES, WHEELS AND TYRES

## Rear Brakes





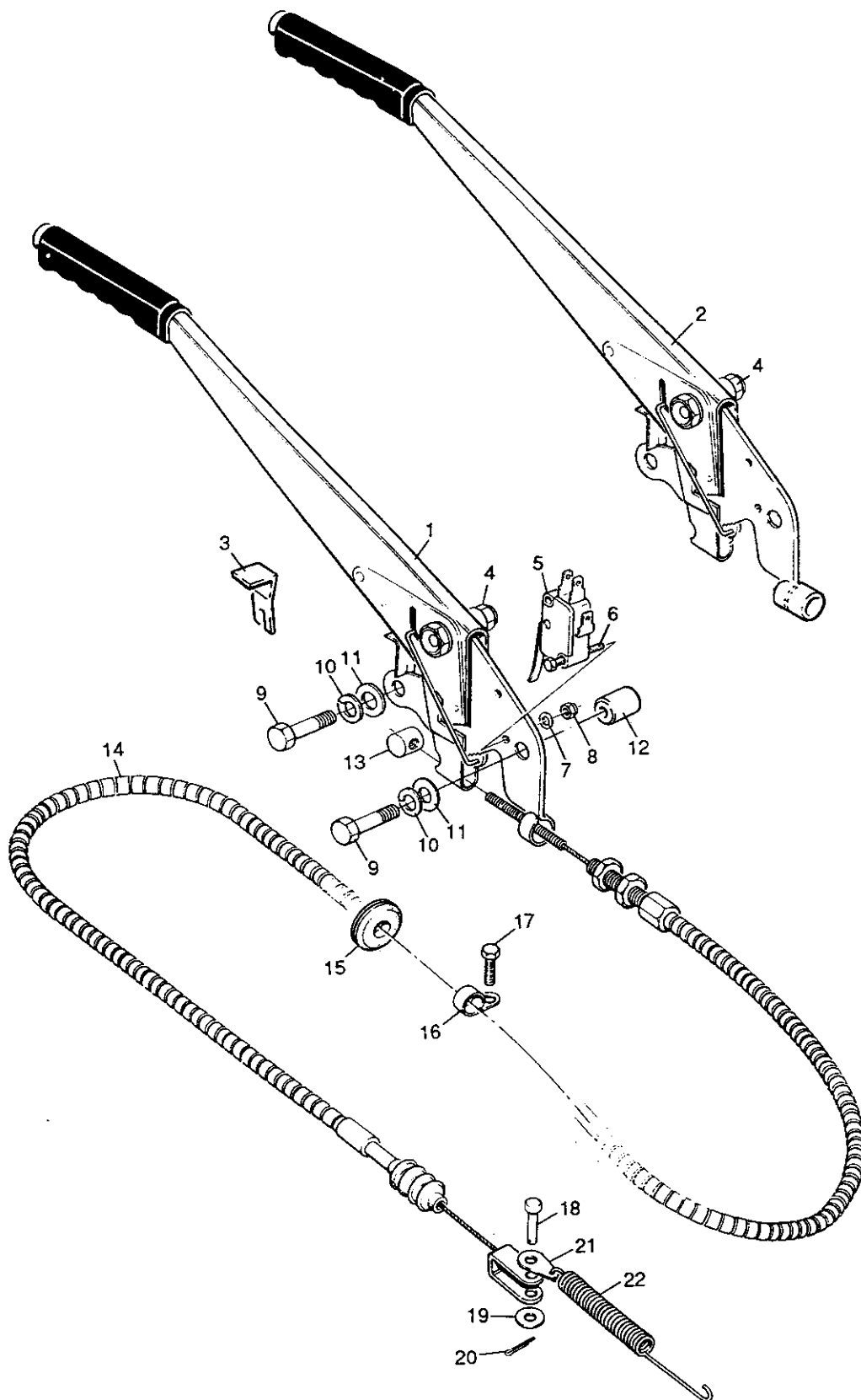
**BRAKES, WHEELS AND TYRES**

**Rear Brakes**



Illus No.	Part Number	Description	Qty	Remarks
31	33.10826	Brake hose	1	
-	33.11491	Washer, internal, shakeproof, M10	2	} Rear hose to bracket
32	33.11490	Nut, M10	1	
-	33.10830	Brake pipe	1	To hose
33	33.10827	Brake pipe	1	Tee to RH caliper
34	33.10828	Brake pipe	1	Tee to LH caliper
35	33.10838	Caliper bridge pipe	2	

} Caliper threads  
either UNF  
or metric



AM 1391



## BRAKES, WHEELS AND TYRES

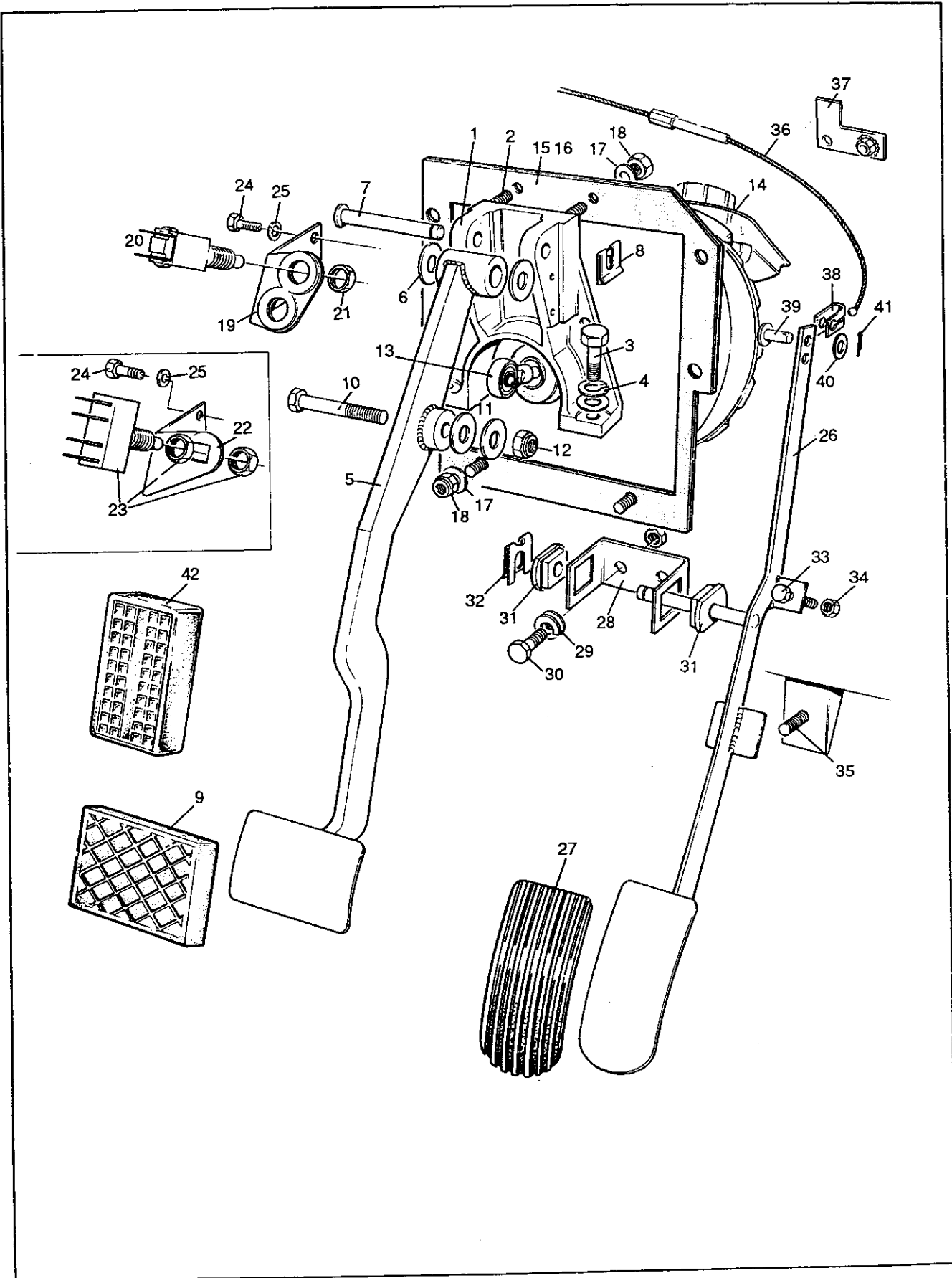
## Handbrake

Illus No.	Part Number	Description	Qty	Remarks
1	30.13209	Handbrake lever	1	
2	30.22739	Handbrake lever and extension tube assembly	1	From Mid 1986
3	30.17826	Handbrake lever stop angle bracket	1	From chassis no. 13178
4	123115	Nut, Nyloc, 5/16 in.	1	Reverse bolt on LHD cars
-	690937	Shim, 0.010 in.	as reqd	} Lever anti-vibration
-	020.027.0775	Shim, 0.020 in.	as reqd	
-	020.027.0774	Shim, 0.005 in.	as reqd	
5	095.038.0107	Microswitch	1	
6	691160	Screw, 6BA x 3/4 in.	2	} Microswitch to lever
7	691349	Washer, plain, 6BA	4	
8	691347	Nut, 6BA	2	
-	-	Leather handbrake gaiter	1	Colour as required
-	692139	Screw, M8 x 35	2	
9	692196	Screw, M8 x 60	2	From chassis no.13380 approx
10	692047	Washer, spring, M8	2	
11	692057	Washer, plain, M8	2	From chassis no.13380 approx
12	30.19785	Spacer, 32 mm long	2	
13	30.13206	Handbrake cable barrel	1	All cars except offset diff.
14	30.13235	Handbrake cable, overall length 72 in.	1	} For cars with offset diff. chassis nos: 13292 - 13326, plus 13121 Supplied with cables
-	30.13235	Handbrake cable, overall length 72 in. RHD	1	
-	30.18877	Handbrake cable, overall length 70.1/2 in. LHD	1	
15	692387	Grommet	1	
16	692209	'P' clip, 3/8 in.	1	
17	627.000.0604	Screw, No. 6 x 1/2 in.	1	
-	692211	'Loknut' nut	1	
18	122340	Headed pin	1	
19	119471	Washer, plain, 5/16 in.	1	
20	119530	Split pin, 3/32 in. x 1.1/4 in.	1	
21	021.029.0190	Spring tab	1	
22	020.030.0161	Return spring	2	

**BRAKES, WHEELS AND TYRES**



Pedal Gear  
Cars to 1985





## BRAKES, WHEELS AND TYRES

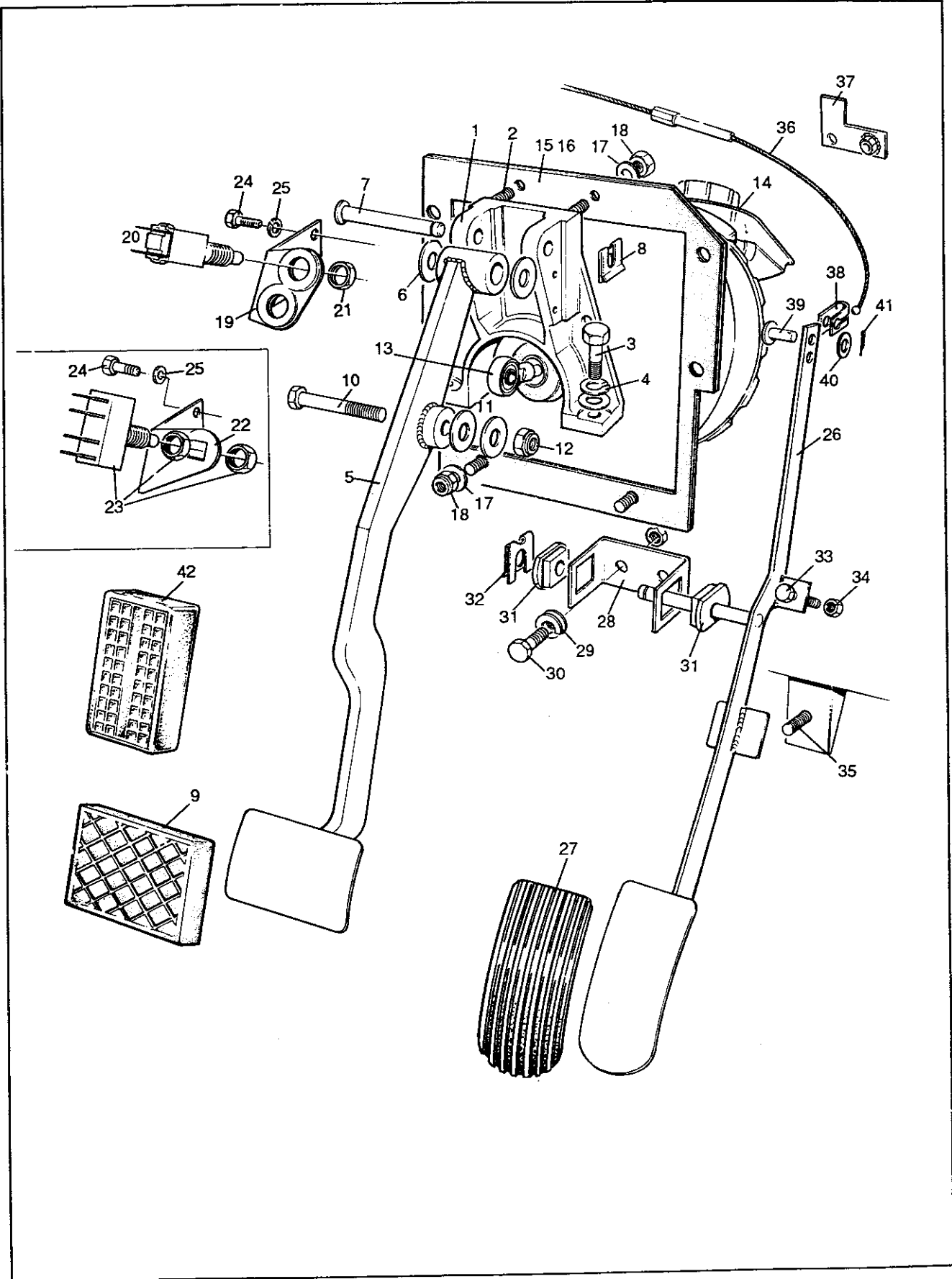
Pedal Gear  
Cars to 1985

Illus No.	Part Number	Description	Qty	Remarks
1	29.10801	Mounting bracket	1	Brake pedal pivot
2	33.18122	Stud, M8 x 40	2	Bracket to servo bracket
3	692202	Screw, M10 x 30	2	} Mounting bracket to bulkhead cross-member
4	692186	Washer, Thackeray, M10	2	
5	29.10839	Brake pedal lever assembly	1	RHD
-	29.10840	Brake pedal lever assembly	1	LHD
-	29.17727	Brake pedal lever assembly	1	LHD from 1982
6	29.10799	Bush, brake pedal, nylon	2	
7	29.10802	Pivot pin, brake pedal	1	
8	692145	Spring clip	1	Brake pedal
9	29.11559	Rubber pad	1	Brake pedal - cars from 1983
-	29.18338	Rubber pad, with Lagonda badge	1	
10	520620	Bolt, hexagonal head, 3/8 in. UNF x 2.1/2 in.	1	} Pedal to servo bearing
11	690210	Washer, plain, 3/8 in.	2	
12	123113	Nut, Nyloc, 3/8 in. UNF	1	
13	33.11186	Servo bearing	1	Bearing to servo
-	33.11179	Adaptor	1	See section 5.1
14	33.10835	Servo and master cylinder assembly	1	Early RHD
15	33.11050	Servo mounting bracket	1	LHD & later RHD (1980)
-	33.15673	Servo mounting bracket	1	} Servo to
-	692047	Washer, spring, M8	4	
-	692135	Nut, Nyloc, M8	4	} mounting bracket
-	692547	'Loctite' sealer	as reqd	
16	33.11324	Gasket	1	} Bracket to bulkhead
-	692547	'Loctite' sealer	as reqd	
-	692089	Screw, M8 x 16	4	
17	692057	Washer, plain, M8	8	
18	692135	Nut, Nyloc, M8	8	
19	29.13948	Bracket, stop-switch	1	} RHD up to Chassis No. 13029
20	071.050.0167	Stop-switch	2	
21	071.050.0170	Lock-nut, stop-switch	2	
22	29.15515	Bracket, stop-switch	1	RHD From Chassis LHD No. 13030
-	29.15769	Bracket, stop-switch	1	From Chassis No. 13030
23	37.15429	Stop-light switch	1	} Switch bracket to pivot bracket
24	692088	Screw, M6 x 16	2	
25	692046	Washer, spring, M6	2	} RHD - Squared bottom to foot pad; rounded bottom to foot pad from 1983
26	29.13231	Pedal assembly, accelerator	1	
-	29.15701	Pedal assembly, accelerator	1	LHD - Squared bottom to foot pad up to 1981
-	29.17734	Pedal assembly, accelerator	1	LHD - Rounded bottom to foot- pad from 1982
27	29.18092	Pedal rubber, ribbed - accelerator pedal	1	Cars from 1983
-	29.18339	Rubber pad, with Lagonda badge - accelerator	1	All cars up to 1981 - only on RHD after 1982
28	29.10846	Mounting bracket - accelerator pedal pivot	1	LHD after 1982
-	29.18442	Mounting bracket - accelerator pedal pivot	1	} Pedal pivot to bulkhead
29	692046	Washer, spring, M6	2	
30	692088	Screw, M6 x 16	2	

**BRAKES, WHEELS AND TYRES**



**Pedal Gear  
Cars to 1985**





## BRAKES, WHEELS AND TYRES

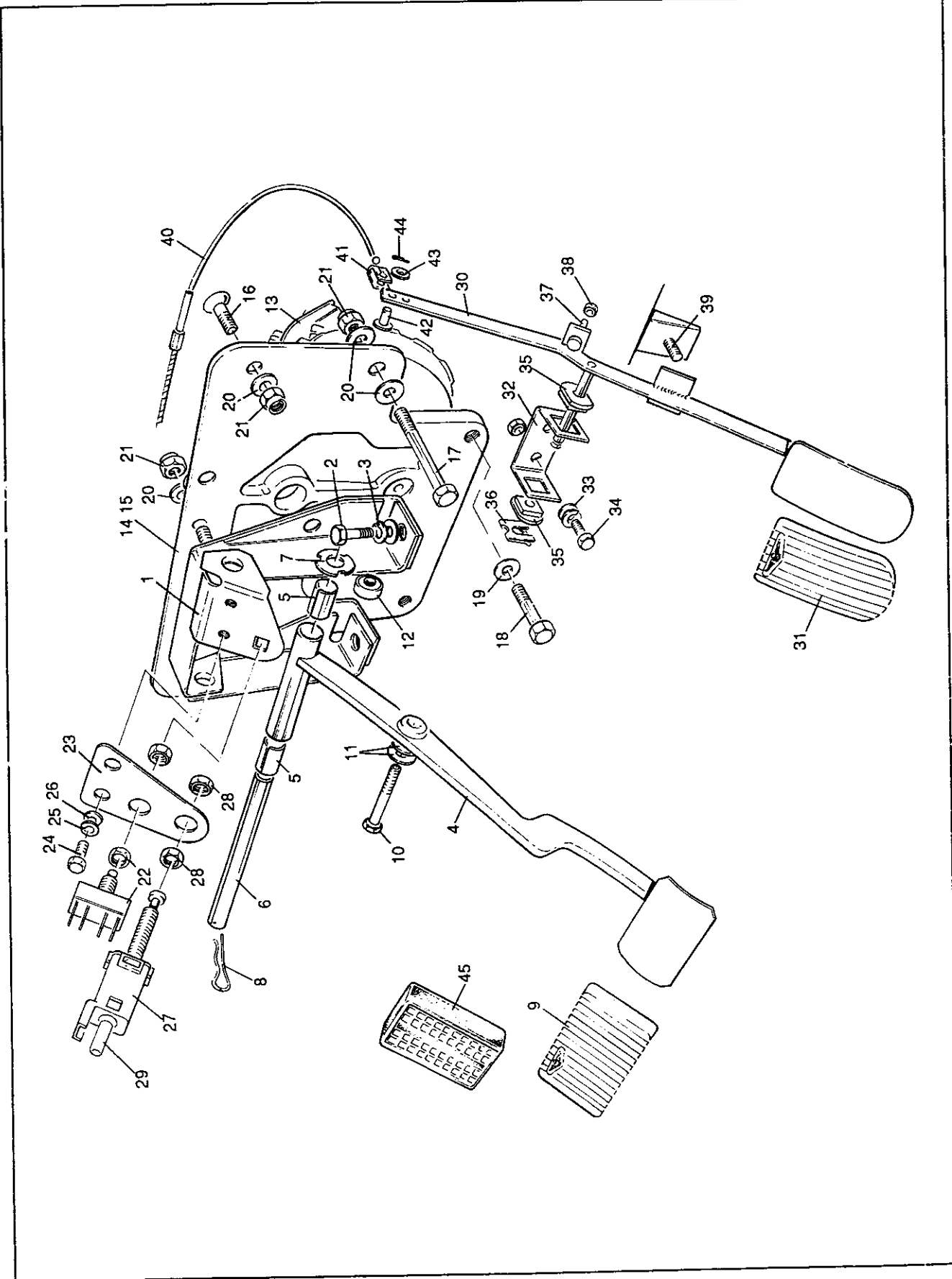
Pedal Gear  
Cars to 1985

Illus No.	Part Number	Description	Qty	Remarks
31	29.10796	Bearing	2	
-	119473	Washer, plain, 7/16 in.	1	
32	692145	Spring clip	1	
33	692215	Screw, M5 x 20	1	
34	692075	Nut, plain, M5	1	Early cars. } Throttle stop
35	20.13223	Screw, M8 x 30, domed head	1	Later cars. }
-	692129	Screw, M8 x 25, hexagon head	1	
-	692077	Locknut, M8	1	RHD. Total length 1930 mm
36	29.11149	Cable, accelerator	1	Threads M6. Up to 1980
-	29.15681	Cable, accelerator	1	LHD. Also on RHD from 1980
-	008182	Grease, special, accelerator cable	as reqd	Total length 2050 mm
37	29.11148	Abutment bracket, accelerator cable	1	Threads M6 and M8
38	29.13237	Bracket, anchorage	1	RHD to 1980
39	020.030.0130	Clevis pin	1	Accelerator cable
40	119470	Washer, plain, 1/4 in.	1	
41	692212	Split-pin, 3/32 in. x 3/4 in.	1	
42	020.029.0141	Footrest pad, rubber	1	RHD
-	18.14267	Footrest bracket	1	LHD
-	18.15727	Footrest bracket	2	} Footrest bracket
-	692005	Screw, M5 x 16	2	} to chassis
-	692045	Washer, spring, M5	1	
-	80.18607	Finisher - Drivers footwell - LHD	2	
-	653.000.0606	Screw - No. 6 x 3/4 in.		

# BRAKES, WHEELS AND TYRES



Pedal Gear  
Cars from 1985







## BRAKES, WHEELS AND TYRES

Pedal Gear  
Cars from 1985

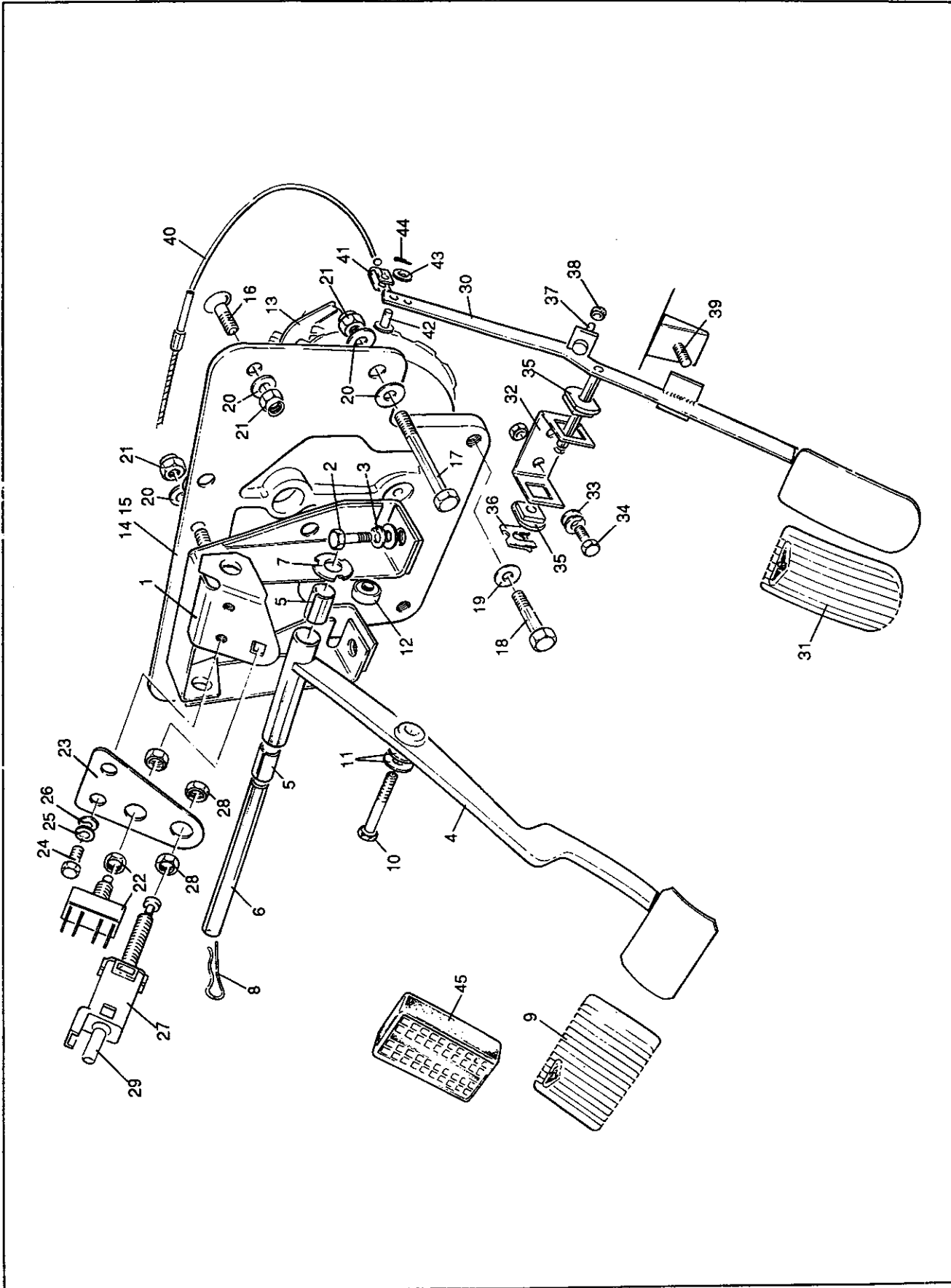
Illus No.	Part Number	Description	Qty	Remarks
1	29.19630	Mounting bracket	1	Brake pedal pivot
2	692202	Screw, M10 x 30	2	} Mounting bracket to bulkhead cross-member
3	692186	Washer, Thackeray, M10	2	
4	29.19636	Brake pedal lever assembly	1	RHD
-	29.19635	Brake pedal lever assembly	1	LHD
5	692827	Bearing, brake pedal spindle	2	
6	29.19640	Spindle, brake pedal	1	
7	692826	Washer, finger spring	1	
8	692825	Spring R clip	2	
9	29.18338	Rubber pad, with Lagonda badge	1	Brake pedal
10	530612	Bolt, hexagonal head, 3/8 in. UNF x 1.1/2 in.	1	} Pedal to servo bearing
11	690225	Washer, shakeproof, 3/8 in.	2	
12	33.11186	Servo bearing	1	Bearing to servo
-	33.11179	Adaptor	1	See section 5.1
13	33.10835	Servo and master cylinder assembly	1	
14	33.19750	Servo mounting plate	4	} Servo to mounting plate
-	692047	Washer, spring, M8	4	
-	692135	Nut, Nyloc, M8	as reqd	
-	692547	'Loctite' sealer	1	
15	33.19743	Gasket	as reqd	
-	692547	'Loctite' sealer	2	} Mounting plate to bulkhead
16	692297	Screw, counter-sunk head, M8 x 16	2	
17	692260	Bolt, M8 x 70	2	
18	692089	Screw, M8 x 16	2	
19	692047	Washer, spring, M8	8	
20	692057	Washer, plain, M8	6	
21	692135	Nut, Nyloc, M8	1	
22	37.15429	Stop-light switch	1	RHD
23	13.21273	Plate, stop switch and dump switch	1	LHD
-	13.21720	Plate, stop switch and dump switch	2	} Plate to pedal mounting bracket
24	692090	Bolt, M5 x 12	2	
25	692045	Washer, spring, M5	2	
26	692055	Washer, plain, M5	1	
27	37.21591	Vacuum dump switch	2	
28	37.21724	Locknut, M12	as reqd	
29	693280	Tubing, 6 mm ID.	as reqd	
-	692133	Loctite 'Pipeseal'	1	RHD - Rounded bottom to foot pad
30	29.13231	Pedal assembly, accelerator	1	LHD - Rounded bottom to foot pad
-	29.17734	Pedal assembly, accelerator	1	
31	29.18339	Rubber pad, with Lagonda badge - accelerator	1	RHD
32	29.10846	Mounting bracket - accelerator pedal pivot	1	LHD
-	29.18442	Mounting bracket - accelerator pedal pivot	2	} Pedal pivot to bulkhead
33	692046	Washer, spring, M6	2	
34	692088	Screw, M6 x 16	2	
35	29.10796	Bearing	1	
-	119473	Washer, plain, 7/16 in.	1	
36	692145	Spring clip	1	

EFI  
cruise  
control.  
See also  
sections  
2.5E  
and  
6.3A

# BRAKES, WHEELS AND TYRES



Pedal Gear  
Cars from 1985





## BRAKES, WHEELS AND TYRES

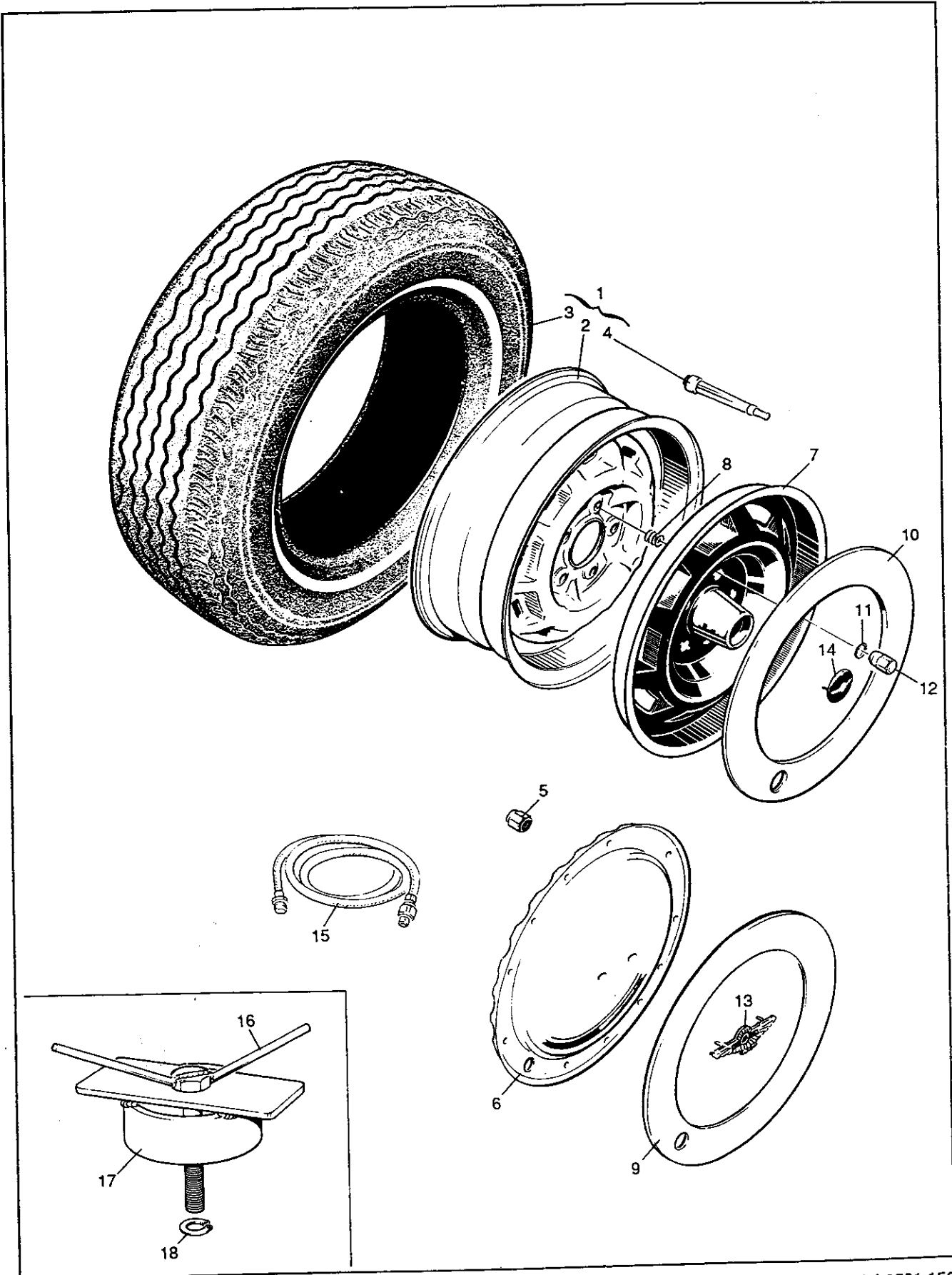
Pedal Gear  
Cars from 1985

Illus No.	Part Number	Description	Qty	Remarks
37	692215	Screw, M5 x 20	1	
38	692075	Nut, plain, M5	1	
39	692129	Screw, M8 x 25, hexagon head	1	} Throttle } stop
-	692077	Locknut, M8	1	
40	29.15681	Cable, accelerator	1	RHD/LHD Total length 2050 mm Threads M6 and M8
-	08.25249	Cable, accelerator	1	EFI cars. RHD/LHD Total length 1370 mm Threads M6 and M8
-	008182	Grease, special, accelerator cable	as reqd	
41	29.13237	Bracket, accelerator cable anchorage	1	} EFI cars
-	29.22040	Bracket, accelerator cable anchorage	1	
42	020.030.0130	Clevis pin	1	
43	119470	Washer, plain, 1/4 in.	1	
44	692212	Split-pin, 3/32 in. x 3/4 in.	1	
45	020.029.0141	Footrest pad, rubber	1	RHD
-	18.14267	Footrest bracket	1	LHD
-	18.15727	Footrest bracket	2	} Footrest bracket } to chassis
-	692005	Screw, M5 x 16	2	
-	692045	Washer, spring, M5	2	
-	80.18607	Finisher - Drivers footwell - LHD	1	
-	653.000.0606	Screw - No. 6 x 3/4 in.	2	

**BRAKES, WHEELS AND TYRES**



Wheels and Tyres  
Cars to 1983





## BRAKES, WHEELS AND TYRES

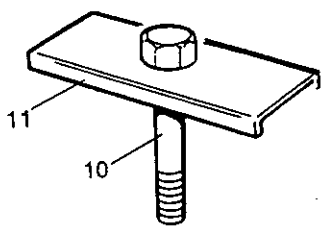
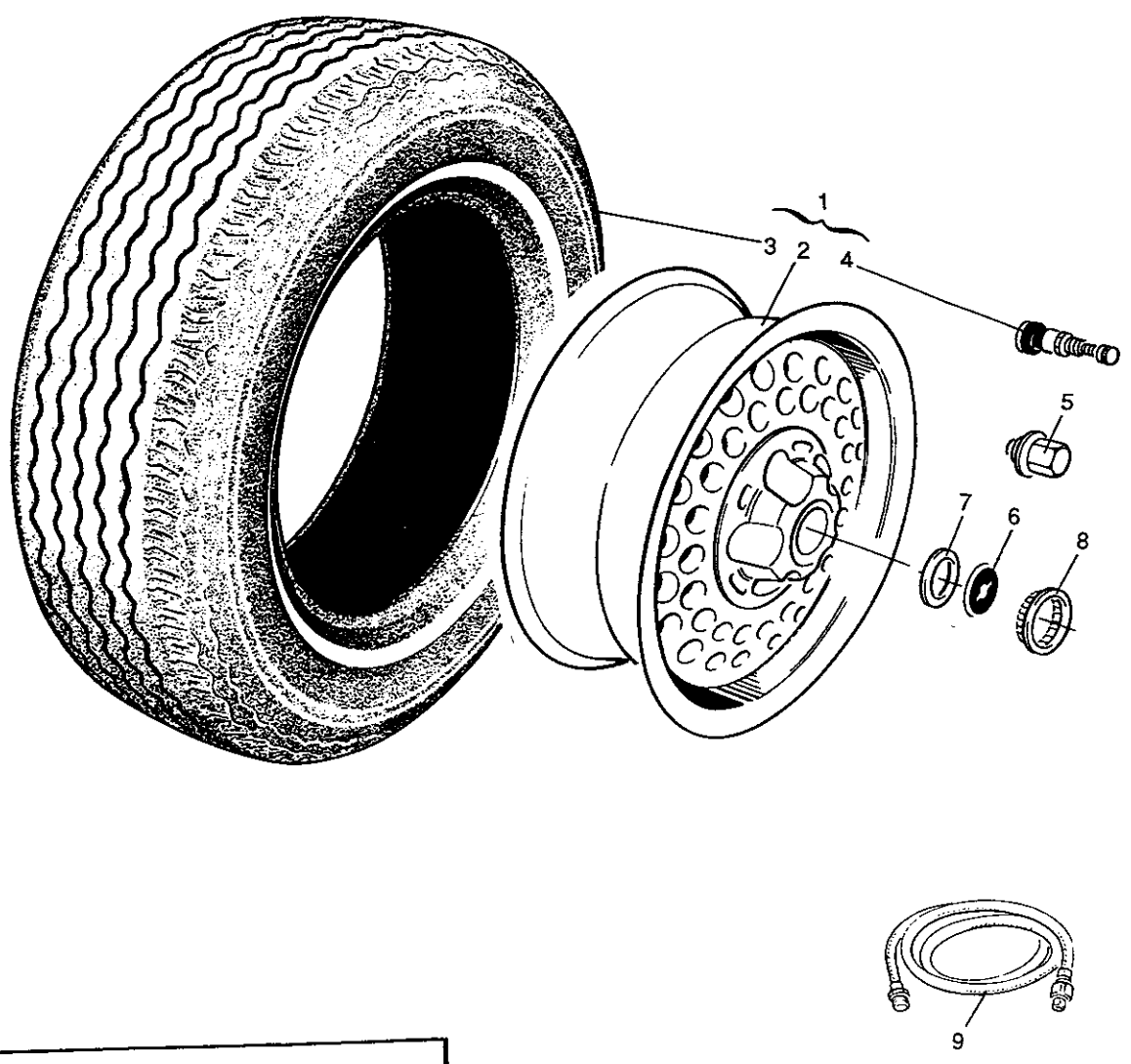
Wheels and Tyres  
Cars to 1983

Illus No.	Part Number	Description	Qty	Remarks
1	36.16990	Tyre and wheel assembly	5	1 spot, balanced
-	50.17006	Tyre and wheel assembly. Whitewall	5	Optional. 1 spot, balanced
2	36.11034	Road wheel (6JK x 15)	5	
3	36.16992	Tyre, 235/70VR x 15	5	Optional
-	50.17007	Tyre, 235/70VR x 15. Whitewall	5	
4	36.14132	Tyre valve	5	
-	692682	Wheel weight, 15grm	as reqd	
-	692683	Wheel weight, 20grm	as reqd	
-	692684	Wheel weight, 30grm	as reqd	
-	692685	Wheel weight, 40grm	as reqd	
-	692686	Wheel weight, 50grm	as reqd	
-	692687	Wheel weight, 60grm	as reqd	
-	692688	Wheel weight, 70grm	as reqd	
5	36.11651	Wheel nut, open-ended	20	Early cars
6	78.14129	Wheel trim	4	Early cars
-	78.14428	Wheel trim locator	8	Early cars
7	78.15548	Wheel trim	4	Later cars
-	78.15555	Anti-rattle pad	20	Later cars
8	78.15554	Spring	20	Later cars
9	78.11674	Wheel trim finisher	4	Early cars } Painted body
10	78.15550	Wheel trim finisher	4	Later cars } colour
11	78.15558	Wheel nut ring	20	Later cars
12	36.15553	Wheel nut	20	Later cars
-	23.15060	Wheel stud, front	10	
-	26.10786	Wheel stud, rear	10	
13	71.10977	Wheel trim badge, winged	4	Early cars
14	78.14130	Wheel trim badge, round, silver	4	Later cars
-	78.17327	Wheel trim badge, round, gold	4	Later cars. Optional
-	119488	Washer, spring, 2BA	2	} Per badge.
-	111109	Nut, plain, 2BA	2	} Badge fixing to wheel trim
15	36.12807	Spare tyre extension hose, see-through	1	
16	092.036.0004	Spare wheel retaining bolt assembly, 1/2 in. UNF	1	
17	36.11238	Retaining plate assembly	1	
18	125493	Circlip, external, 1/2 in.	1	
-	83.12632	Board, spare wheel cover	1	
-	83.12633	Bracket, toggle	2	
-	692399	Rivet, 1/8 in. Bracket to board	4	
-	080.008.0107	Clip, chassis, narrow, spare wheel cover	2	Later cars
-	692600	Clip, chassis, wide, spare wheel cover	2	
-	97.17598	Tyre label, Australia, 235/70 VR15	1	Tyre pressures: 28/35

# BRAKES, WHEELS AND TYRES



Wheels and Tyres  
Cars from 1983 to 1985





## BRAKES, WHEELS AND TYRES

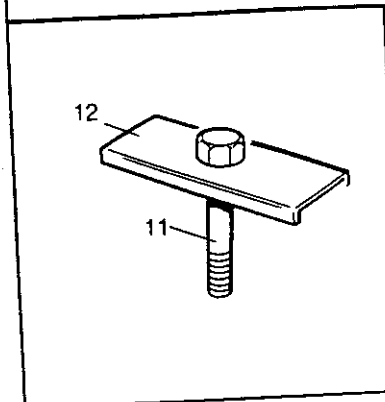
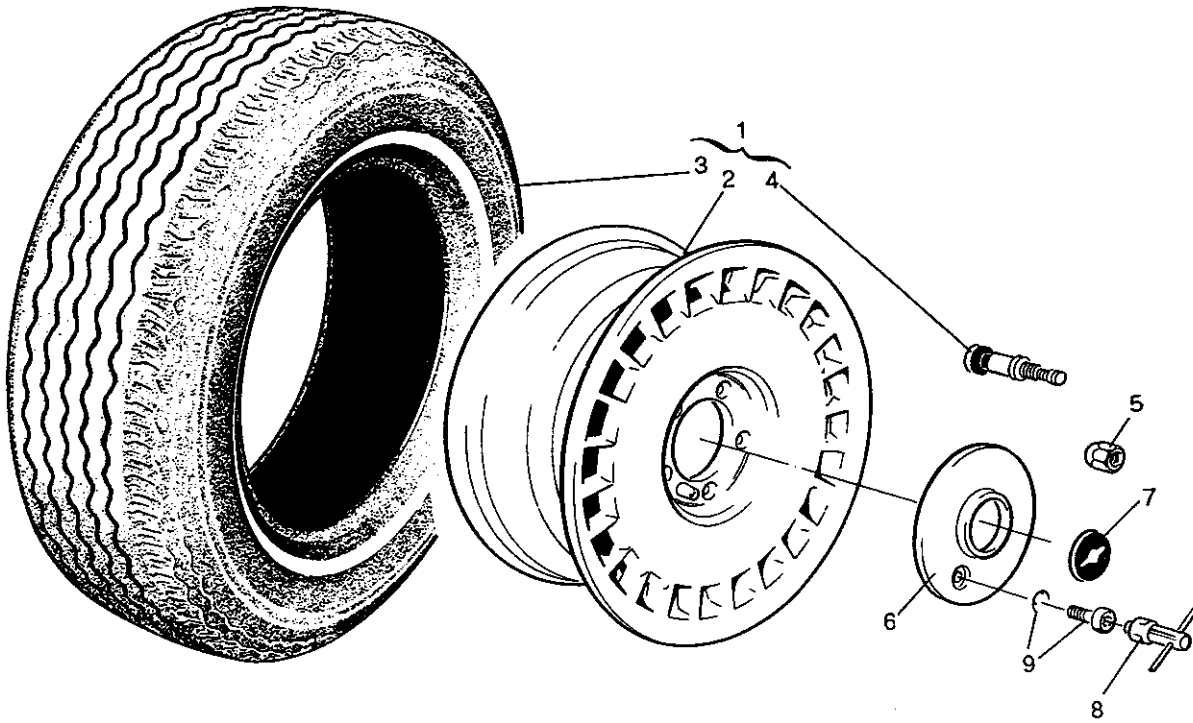
Wheels and Tyres  
Cars from 1983 to 1985

Illus No.	Part Number	Description	Qty	Remarks
1	36.19059	Tyre and wheel assembly	5	1 spot, balanced
-	36.19063	Tyre and wheel assembly. Whitewall	5	Optional. 1 spot, balanced
2	36.19060	Road wheel (6JK x 15)	5	
3	36.16992	Tyre, 235/70VR x 15	5	Optional
-	50.17007	Tyre, 235/70VR x 15. Whitewall	5	} Alternatives
4	36.19085	Tyre valve, non-threaded stem	5	
-	36.18436	Tyre valve, threaded stem	5	
-	692682	Wheel weight, 15grm	as reqd	
-	692683	Wheel weight, 20grm	as reqd	
-	692684	Wheel weight, 30grm	as reqd	
-	692685	Wheel weight, 40grm	as reqd	
-	692686	Wheel weight, 50grm	as reqd	
-	692687	Wheel weight, 60grm	as reqd	
-	692688	Wheel weight, 70grm	as reqd	
-	095.036.0101	Wheel weight strip, stick-on, alternative	as reqd	Cut to weight required
5	36.19062	Wheel nut and washer	20	
-	23.15060	Wheel stud, front	10	
-	26.10786	Wheel stud, rear	10	
6	36.19068	Wheel centre badge, round	4	
7	36.19149	Badge backing plate	4	
8	36.19067	Wheel centre ring, plastic	4	
9	36.12807	Spare tyre extension hose, see-through	1	
10	36.19048	Spare wheel retaining bolt, 1/2 in. UNF x 3.1/4 in.	1	
11	36.19079	Retaining plate	1	
-	83.12632	Board, spare wheel cover	1	
-	83.12633	Bracket, toggle	2	
-	692399	Rivet, 1/8 in. Bracket to board.	4	
-	080.008.0107	Clip, chassis, narrow, spare wheel cover	2	
-	692600	Clip, chassis, wide, spare wheel cover	2	Later cars
-	97.17598	Tyre label, Australia, 235/70 VR15	1	Tyre pressures: 28/35
-	97.17791	Tyre label, USA 1983, HR70VR15	1	Tyre pressures: 28/35
-	97.19371	Tyre label, USA 1984 on, HR70VR15	1	Tyre pressures: 28/35



# BRAKES, WHEELS AND TYRES

Wheels and Tyres  
Cars from 1985 to 1988







## BRAKES, WHEELS AND TYRES

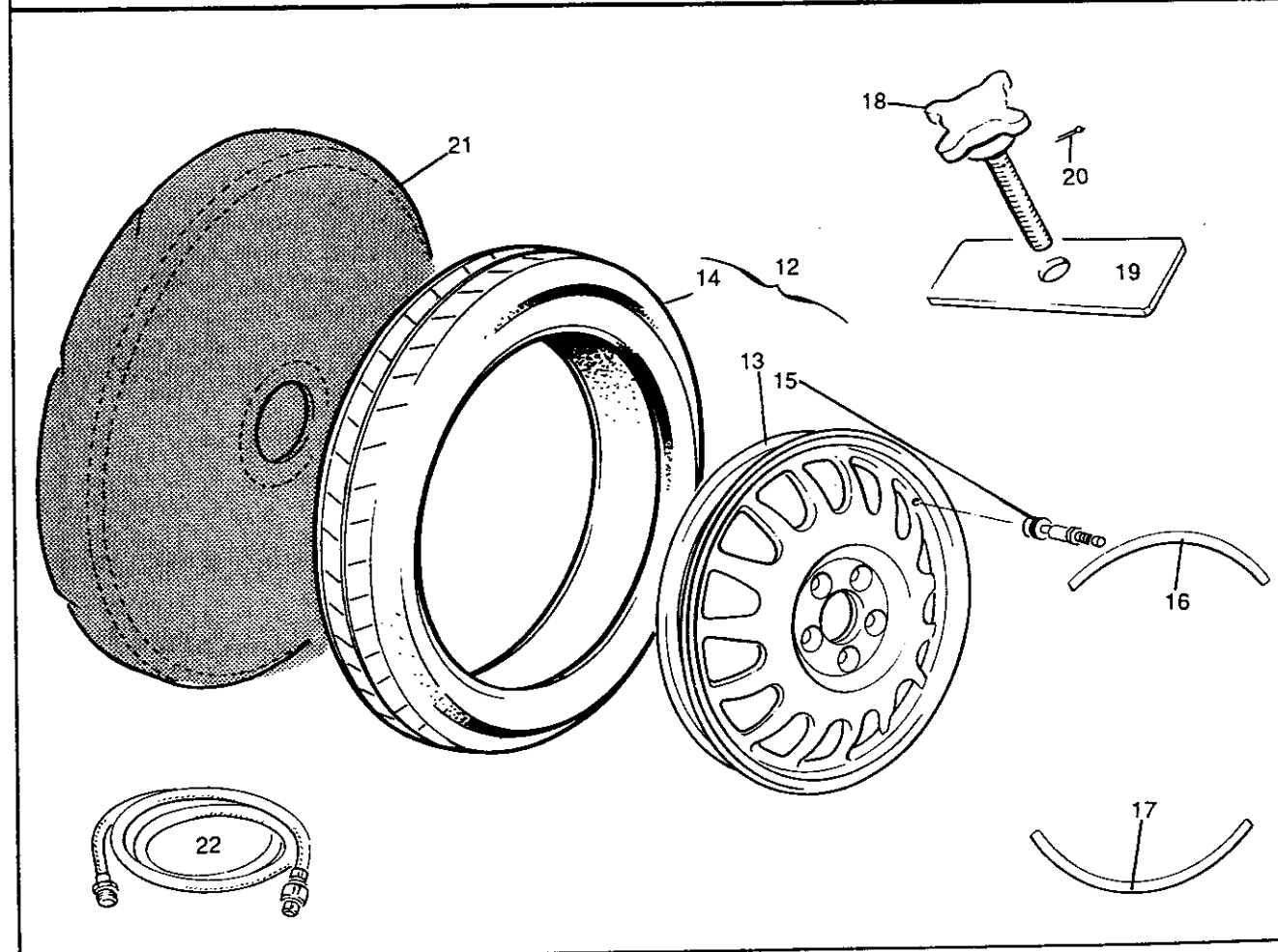
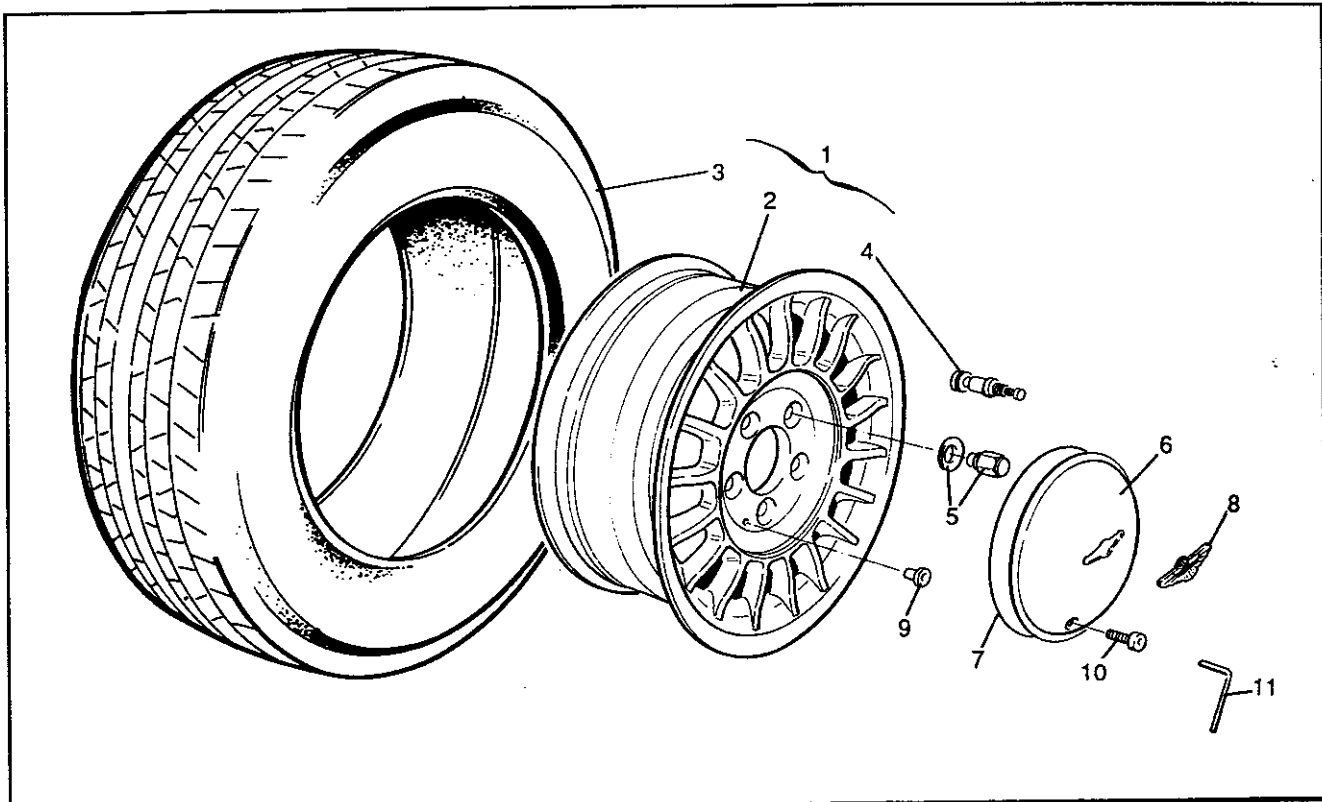
Wheels and Tyres  
Cars from 1985 to 1988

Illus No.	Part Number	Description	Qty	Remarks
-	36.20401	Tyre and wheel assembly	5	1 spot, balanced
-	36.20418	Tyre and wheel assembly. Whitewall	5	Optional. 1 spot, balanced
1	36.21105	Tyre and wheel assembly	5	1 spot, balanced. } Cars from
-	36.21139	Tyre and wheel assembly. Whitewall	5	Optional. } approx.
				1 spot, balanced. } chassis nos
				13427/36
-	36.20352	Road wheel (7J x 15H2)	5	Early cars. Machined finish to centre, black painted 'windows'
2	36.21099	Road wheel (7J x 15H2)	5	Cars from May 1985, approx. chassis nos: 13427/36.
				Tower for wheel centre bolt.
3	36.16992	Tyre, 235/70VR x 15	5	
-	50.17007	Tyre, 235/70VR x 15. Whitewall	5	Optional
4	36.20367	Tyre valve	5	
-	692682	Wheel weight, 15grm	as reqd	
-	692683	Wheel weight, 20grm	as reqd	
-	692684	Wheel weight, 30grm	as reqd	
-	692685	Wheel weight, 40grm	as reqd	
-	692686	Wheel weight, 50grm	as reqd	
-	692687	Wheel weight, 60grm	as reqd	
-	692688	Wheel weight, 70grm	as reqd	
-	095.036.0101	Wheel weight strip, stick-on, alternative	as reqd	Cut to weight required
5	36.20105	Wheel nut, open-ended	20	
-	23.20104	Wheel stud, front and rear	20	
-	36.20365	Wheel centre	4	Early cars.
6	36.21101	Wheel centre	4	Cars from approx. chassis nos: 13427/36
7	36.19068	Wheel centre badge, round	4	
-	692454	'Loctite'	as reqd	Badge to wheel centre
-	40.20368	Security spanner, wheel centre	2	M123. Early cars.
8	40.22718	Security spanner, wheel centre	2	M503. Cars from approx. chassis nos: 13427/36
9	-	Fixing bolt and circlips	4	Supplied with spanners.
				Early bolt - 7/8 in. (22mm) long
				Later bolt - 1/2 in. (12mm) long
10	36.12807	Spare tyre extension hose, see-through	1	
-	36.21483	Spare tyre extension hose, rubber, 90 deg.end	1	From 1986
11	36.19048	Spare wheel retaining bolt, 1/2 in. UNF x 3.1/4 in.	1	
12	36.19079	Retaining plate	1	
-	83.12632	Board, spare wheel cover	1	
-	83.12633	Bracket, toggle	2	
-	692399	Rivet, 1/8 in. Bracket to board.	4	
-	692600	Clip, chassis, wide, spare wheel cover.	2	
-	97.17598	Tyre label, Australia, 235/70 VR15	1	Tyre pressures: 28/35
-	97.19371	Tyre label, USA 1984 on, HR70VR15	1	Tyre pressures: 28/35
		<b>Note:</b> A wheel kit is available to convert early cars to these later road wheels. Part number:		
-	36.20740	Wheel kit	1	

# BRAKES, WHEELS AND TYRES

## Wheels and Tyres

Cars from chassis No. 13540





## BRAKES, WHEELS AND TYRES

Wheels and Tyres  
Cars from Chassis No. 13540

Illus No.	Part Number	Description	Qty	Remarks
1	36.25596	Tyre and wheel assembly	4	Balanced
-	36.26238	Tyre and wheel assembly. Whitewall	4	Optional. Balanced
2	36.25632	Road wheel (7JK x 16)	4	
3	36.25488	Tyre, 255/60VR x 16	4	Optional
-	36.26239	Tyre, 255/60VR x 16. Whitewall	4	
4	36.20367	Tyre valve	4	
-	692682	Wheel weight, 15grm	as reqd	
-	692683	Wheel weight, 20grm	as reqd	
-	692684	Wheel weight, 30grm	as reqd	
-	692685	Wheel weight, 40grm	as reqd	
-	692686	Wheel weight, 50grm	as reqd	
-	692687	Wheel weight, 60grm	as reqd	
-	692688	Wheel weight, 70grm	as reqd	Cut to weight required
-	095.036.0101	Wheel weight strip, stick-on, alternative	20	
5	36.25896	Wheel nut	10	
-	23.15060	Wheel stud, front	10	
-	26.10786	Wheel stud, rear	4	
6	36.25637	Wheel centre	4	
7	694038	Seal, 3mm x 24 in.	4	
8	36.25789	Wheel centre badge	as reqd	Badge to wheel centre
-	693154	Adhesive	4	Early cars to May 1989
9	36.26256	Spacer, wheel centre to road wheel	4	Wheel centre to road wheel
10	694212	Capscrew, M6 x 35	1	Part of toolkit
11	694156	Allen key, 5 mmAF, wheel centre capscrew	1	'Spacesaver' spare wheel
12	36.52153	Tyre and wheel assembly	1	Painted red
13	36.52152	Road wheel	1	
14	36.22253	Tyre, T115/85 R x 18	1	
15	36.20367	Tyre valve	1	Fitted to every wheel
16	97.25752	Warning label - English	1	} Alternatives
17	97.25753	Warning label - French	1	
-	97.25754	Warning label - German	1	
-	97.25755	Warning label - Italian	1	
-	97.25756	Warning label - Spanish	1	
-	97.25757	Warning label - Arabic	1	
-	97.25758	Warning label - Japanese	1	
18	36.25951	Handwheel bolt	1	
19	092.036.0104	Retaining plate	1	
20	694044	Spring pin, 3 mm x 20 mm	1	Advise colour required when ordering
21	36.25975	Cover assembly, spare wheel, leather	1	
22	36.21483	Spare tyre extension hose, rubber, 90 deg.end	1	
-	83.24219	Spare wheel cover assembly	1	
-	83.24004	Spare wheel support assembly	1	
-	83.24001	Upper mounting bracket support	6	
-	691460	Spire nut, No. 8	6	
-	627.000.0804	Screw, No. 8 x 1/2 in.	1	Tyre pressures: 37/44
-	97.25266	Tyre label, USA	1	



**ELECTRICS**

**Contents**

<b>ELECTRICS</b>	<b>6</b>
<b>Instruments and Controls</b>	<b>6.1</b>
<b>Lamps and Bulbs</b>	<b>6.2</b>
<b>Components and Wiring</b>	<b>6.3</b>
<b>Windscreen Wipers and Washers</b>	<b>6.4</b>

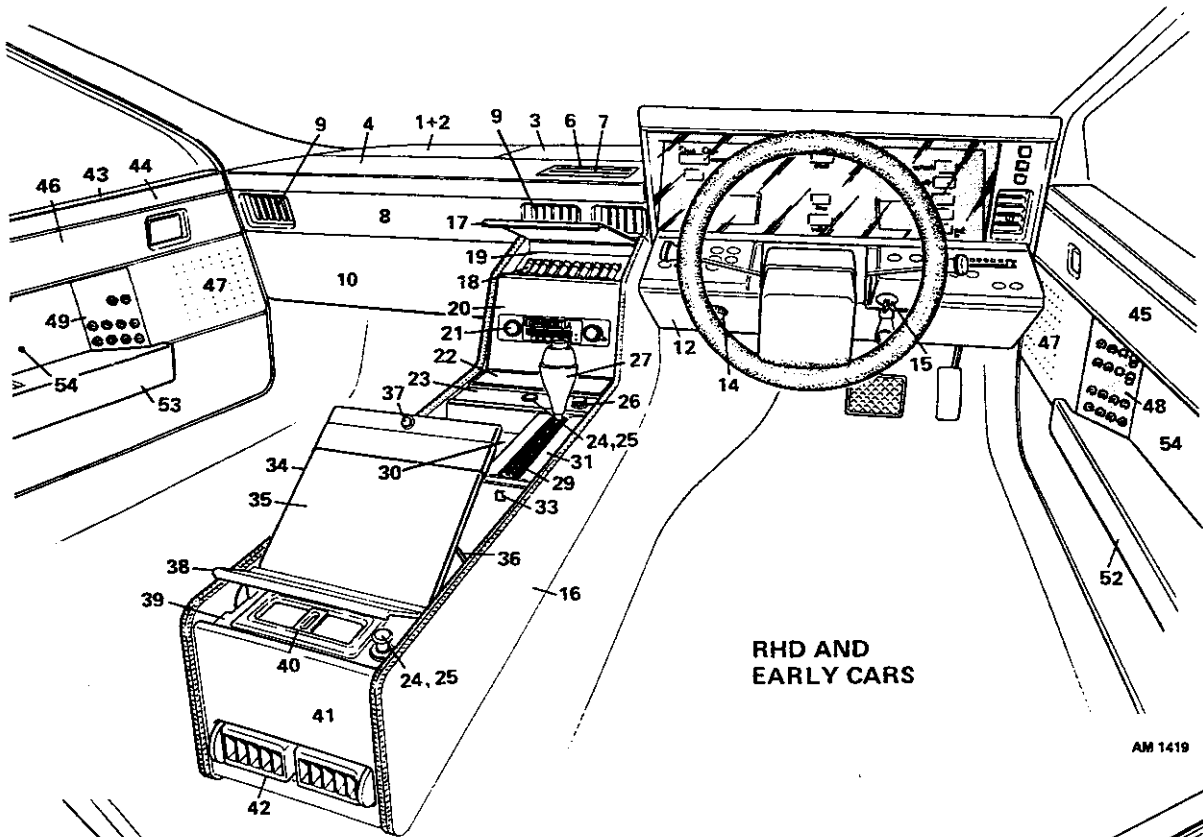


**SECTION 6**  
**ELECTRICS**

# ELECTRICS

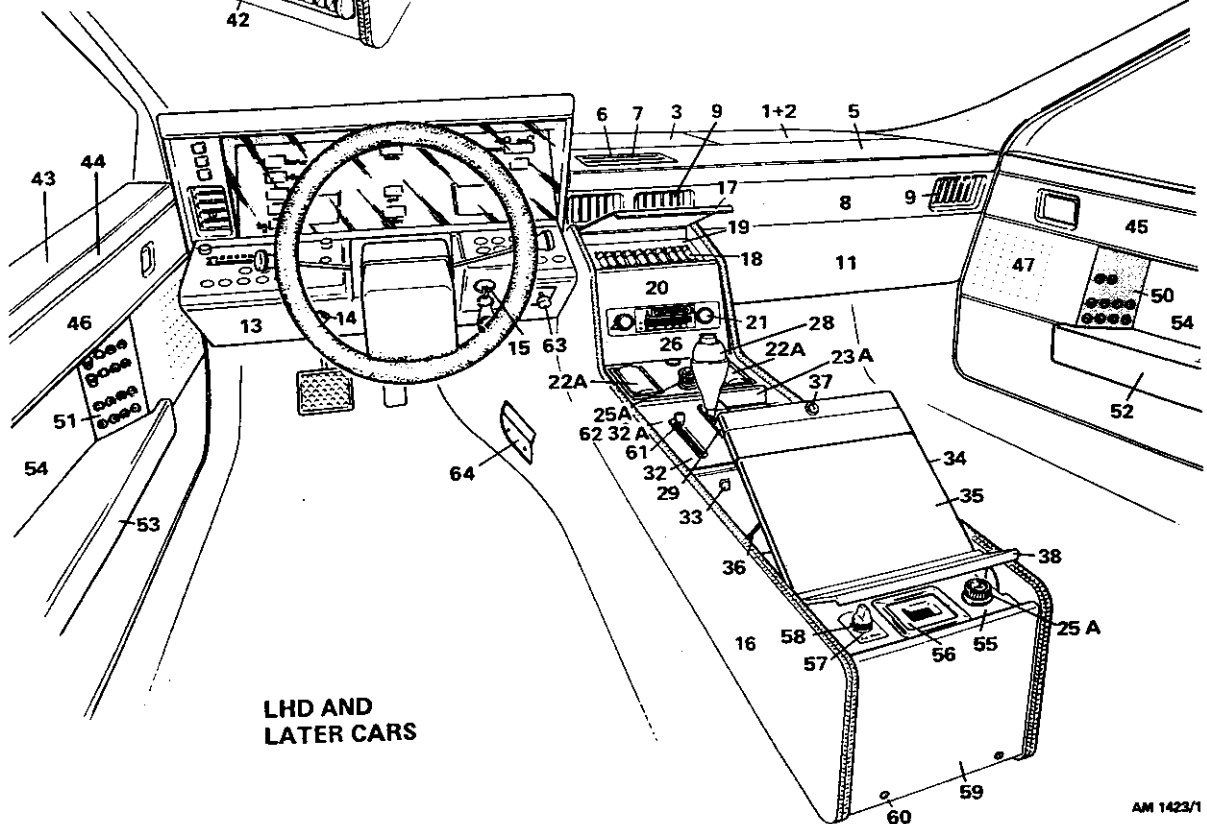


## Instruments & Controls Facia & Centre Console Cars to 1983



RHD AND EARLY CARS

AM 1419



LHD AND LATER CARS

AM 1423/1



**ELECTRICS**

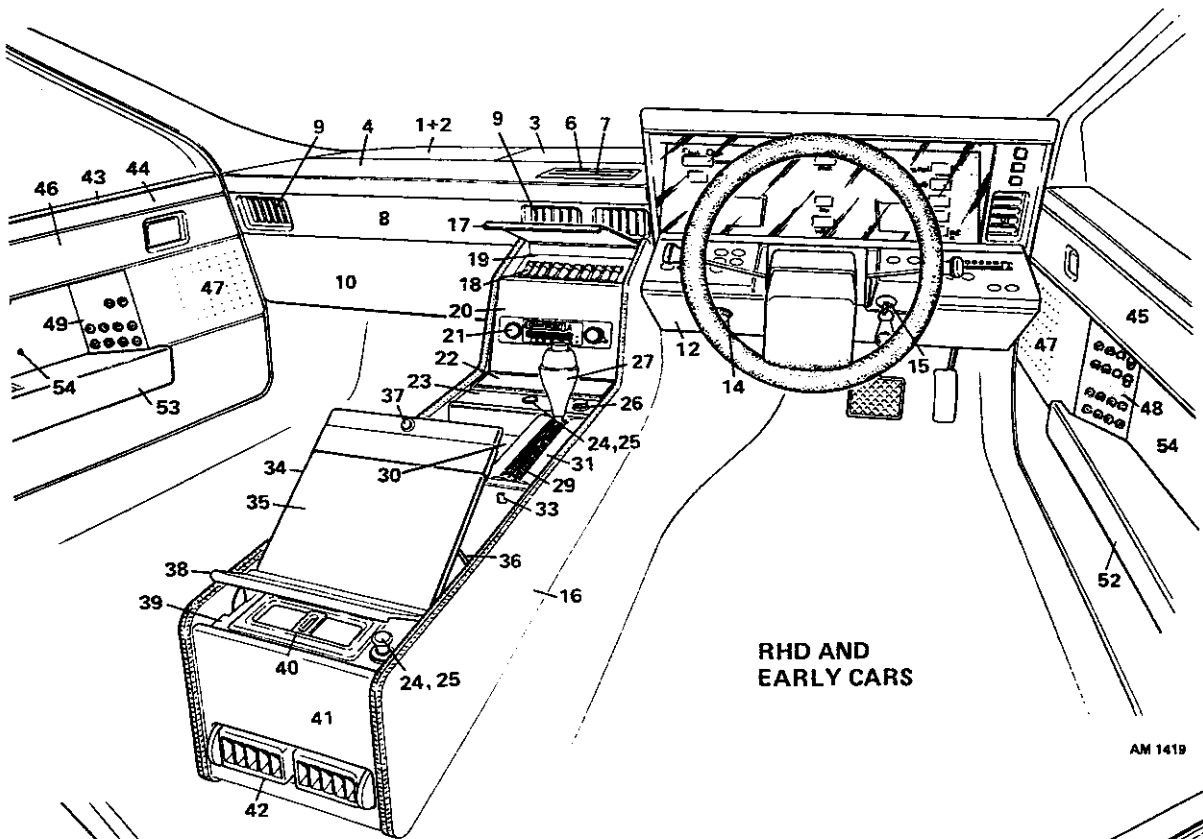
**Instruments & Controls  
Facia & Centre Console  
Cars to 1983**

Illus No.	Part Number	Description	Qty	Remarks
1	69.12207	Dash trim pad, front, LH/RHD, RH/LHD	1	
2	69.12206	Dash trim pad, front, RH/RHD, LH/LHD	1	
3	69.12210	Dash trim pad, centre	1	
-	692323	Pad clip	2	
4	69.12226	Dash top crash roll pad	1	RHD
5	69.12227	Dash top crash roll pad	1	LHD
-	69.13626	Pad foam edge	1	
6	69.17014	Dash top vent	1	} Later cars
7	69.16749	Vent grid	1	
-	69.16752	Vent bracket	2	
-	691320	Rivet, 1/8 in. dia.	4	
8	80.13456	Wood trim, facia	1	
-	80.13460	Trim mounting bracket	3	
-	692359	Screw, No. 4 x 5/16 in.	6	
-	110930	Screw, No. 6 x 1/2 in.	3	
-	692408	Spire flat nut	3	
-	69.13461	Wood trim, rear plate	1	RHD
-	69.13462	Wood trim, rear plate	1	LHD
-	692345	Screw, M5 x 10	2	} Plate fixings
-	692045	Washer, spring, M5	2	
-	692055	Washer, plain, M5	2	
-	692075	Nut, M5	2	
-	692406	Screw, M5 x 12	3	
-	89.13468	Outlet duct, centre	1	
-	692404	Sealing strip	as reqd	
-	114179	Screw, No. 6 x 1/4 in.	3	
-	110854	Washer, plain, 4BA	3	
9	89.11942	Air outlet	4	Modify to suit car
10	69.12243	Facia trim pad lower	1	RHD
11	69.15750	Facia trim pad lower	1	LHD
-	692407	Pad clip	4	} Pad fixings
-	653.000.0606	Screw, No. 6 x 3/4 in.	3	
-	112183	Cup-washer, No. 6	3	
-	692404	Sealing strip	as reqd	
12	69.14577	Binnacles finisher plate	1	RHD
13	69.15738	Binnacles finisher plate	1	LHD
-	69.18655	Binnacles finisher plate	1	Later USA cars with choke control housing. (Appr...)
14	069.037.0158	Panel lamp dimmer switch	1	See sections 6.1B and 6.1C
-	69.15838	Switch knob depression, for finisher plates	1	
15	-	Steering lock and ignition switch	1	See section 4.3
16	80.13959	Centre console wood frame	1	
-	80.13854	Mounting bracket	1	
-	020.037.0182	Grommet	1	
-	691782	Screw, PK, No. 6 x 3/8 in.	4	
17	80.16591	Fuse box lid	1	
-	690261	Screw, chrome, No. 6 x 3/8 in.	4	
18	095.037.0124	Fuse box, supplied without glass fuses.	1	} Fuse box now obsolete See section 6.3A.1 also
-	37.11072	Fuse box lid	1	
-	97.14537	Fuse box label, centre console	1	

# ELECTRICS

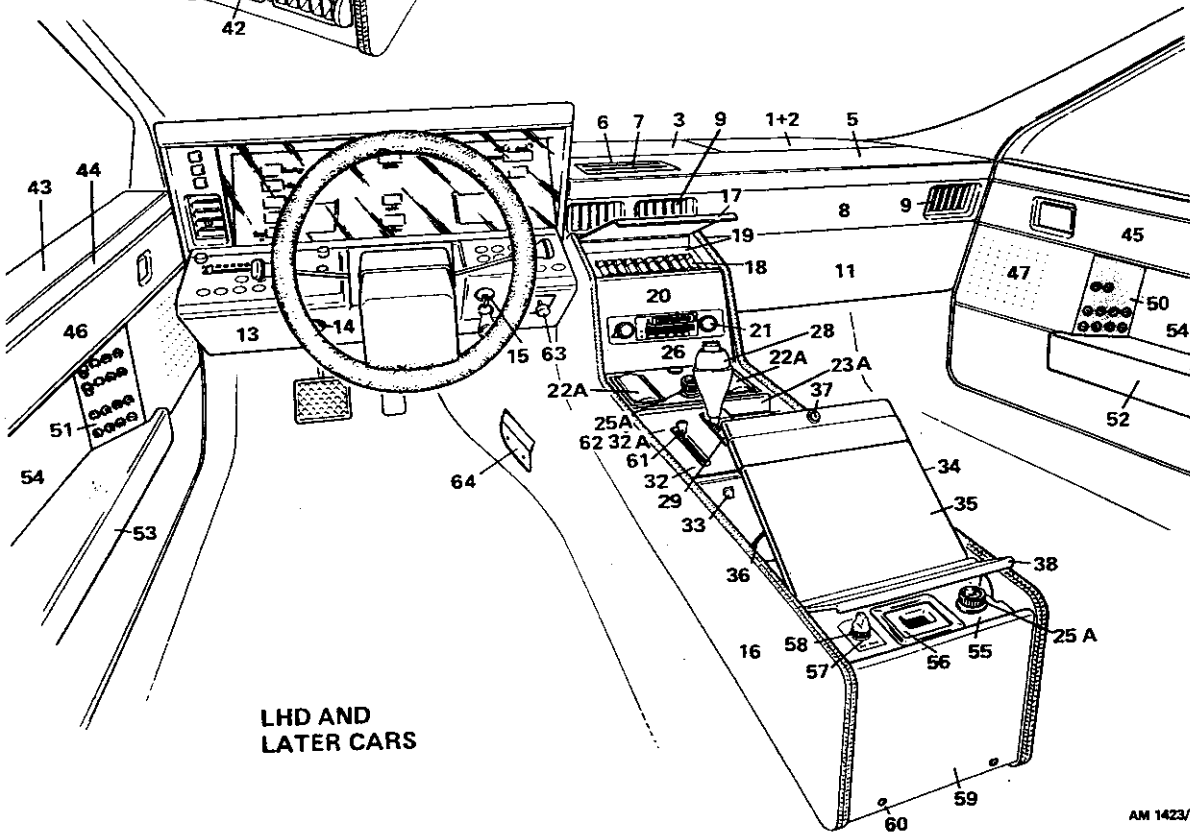


## Instruments & Controls Facia & Centre Console Cars to 1983



RHD AND EARLY CARS

AM 1419



LHD AND LATER CARS

AM 1423/1

## ELECTRICS

Instruments & Controls  
 Facia & Centre Console  
 Cars to 1983

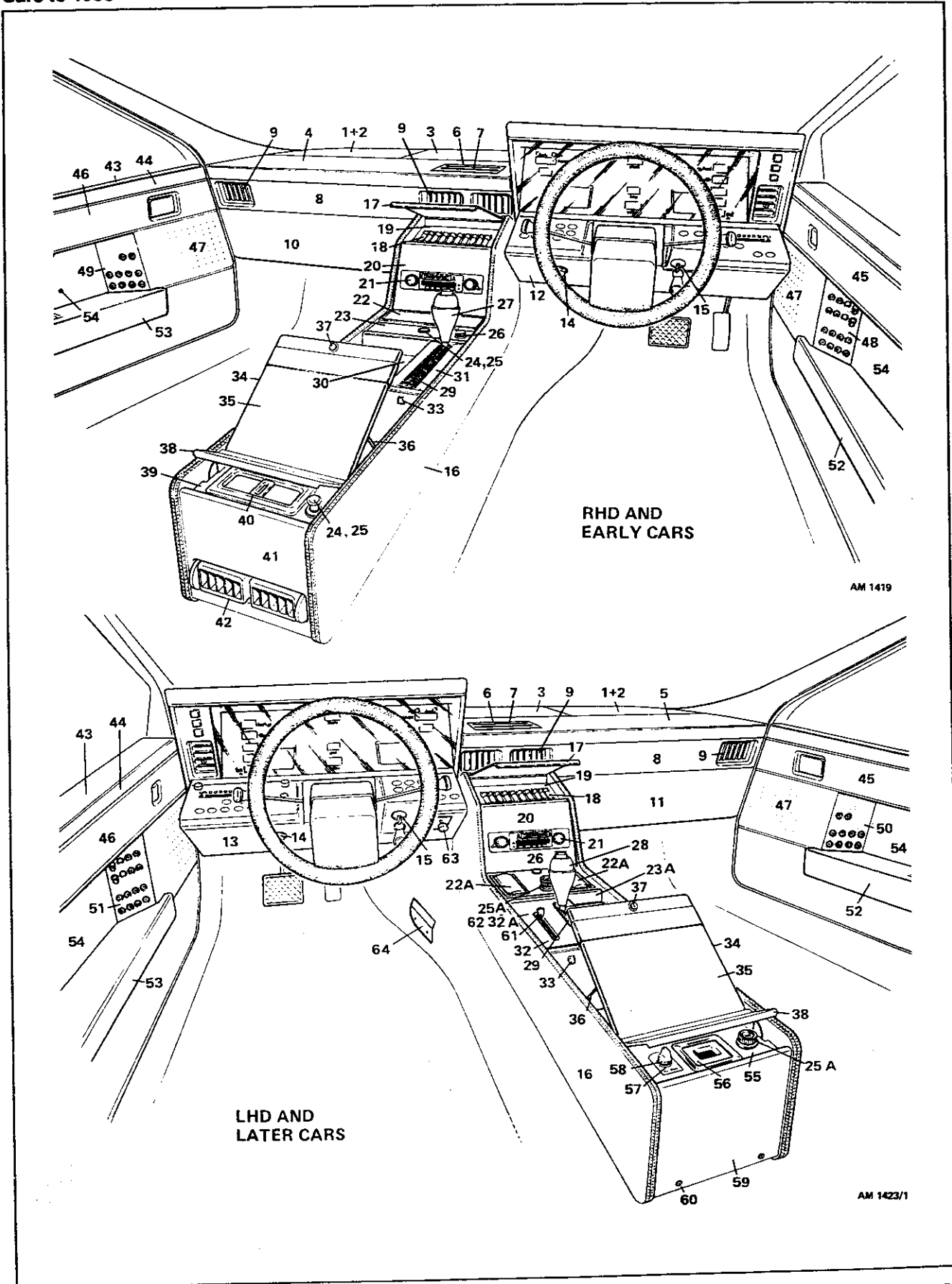


Illus No.	Part Number	Description	Qty	Remarks
19	80.13825	Cover plate, fuse box	1	
-	80.13810	Fuse box mounting bracket	2	
-	691782	Screw, PK, No. 6 x 3/8 in.	4	Brackets to console
-	692210	Screw, M4 x 12	2	Fuse box to brackets
20	80.13628	Wood trim, stereo surround	1	
-	80.14179	Trim support bracket, upper	2	
-	80.14178	Trim support bracket, lower	2	
-	691782	Screw, PK, No. 6 x 3/8 in.	12	
-	095.037.0184	Radio/cassette player	1	Early cars
21	37.15167	Radio/cassette player	1	Later cars
-	37.18528	Radio/cassette player, (Tenvox)	1	From Sept.1982
-	37.13240	Amplifier	1	Note: Some cars are fitted with non-standard equipment
-	37.18529	Amplifier, (Tenvox)	1	
-	80.14222	Mounting bracket, amplifier	1	From Sept.1982
-	80.18701	Mounting bracket, amplifier, (Tenvox)	1	From Sept.1982
-	691782	Screw, PK, No. 6 x 3/8 in.	4	Bracket to console
22	095.069.0031	Ashtray, front, large	1	Up to
23	80.13853	Mounting plate	1	Chassis No 13156
22A	80.17551	Ashtray, front, small	2	From Chassis No. 13157
23A	80.17521	Mounting plate	1	
-	80.17522	Ashtray support bracket	1	
24	023.037.0145	Cigar lighter	2	Up to Chassis No.13073
-	020.037.0746	Element, cigar lighter	2	
-	048.037.0841	Bulb, 12V, 2.2W	2	
25	37.14137	Wooden knob	2	Now obsolete. See section 6.1A.3 for later lighter.
25A	37.16218	Cigar lighter, with symbol.	2	
-	37.15602	Bulb, 12V, 2W	2	Up to Chassis No 13098
-	103.037.0111	Speaker balance control	1	From Chassis No 13099
26	37.17076	Speaker balance control	1	From Sept. 1982
27	-	Gear lever assembly, RHD	1	Curved lever } See section 3.3 Straight lever }
-	-	Gear lever assembly, LHD	1	
28	-	Gear lever assembly, RHD/LHD	1	
29	42.13690	Sealing brushes	2	
-	692314	Nut, Nyloc, M4	6	
30	80.13823	Tray panel, RHD/LHD	1	For curved gear levers.
31	80.13851	Cover, gear lever, RHD	1	Up to Chassis No 13134
-	80.15715	Cover, gear lever, LHD	1	For straight gear lever.
32	80.17355	Tray panel, wooden, RHD/LHD	2	
32A	80.17342	Cover, gear lever, RHD/LHD	1	From Chassis No 13135
-	110930	Screw, No. 6 x 1/2 in.	4	
-	80.15622	Cover support bracket	2	Up to Chassis No 13134
-	114179	Screw, No. 6 x 3/4 in.	4	
-	80.13813	Cover mounting bracket	2	
-	691782	Screw, PK, No. 6 x 3/8 in.	6	Bracket to console
33	37.14160	Touch switch, square	1	Boot lock
-	692464	Stripboard	1	
-	692359	Screw, No. 4 x 5/16 in.	4	Trimmed
34	80.13849	Glove box lid assembly	1	
35	80.13847	Lid, metal, upper	1	
-	80.13848	Lid, wood, lower	1	
-	692443	Pivot bush	2	
-	80.13815	Lid pivot, RH	1	

# ELECTRICS



## Instruments & Controls Facia & Centre Console Cars to 1983



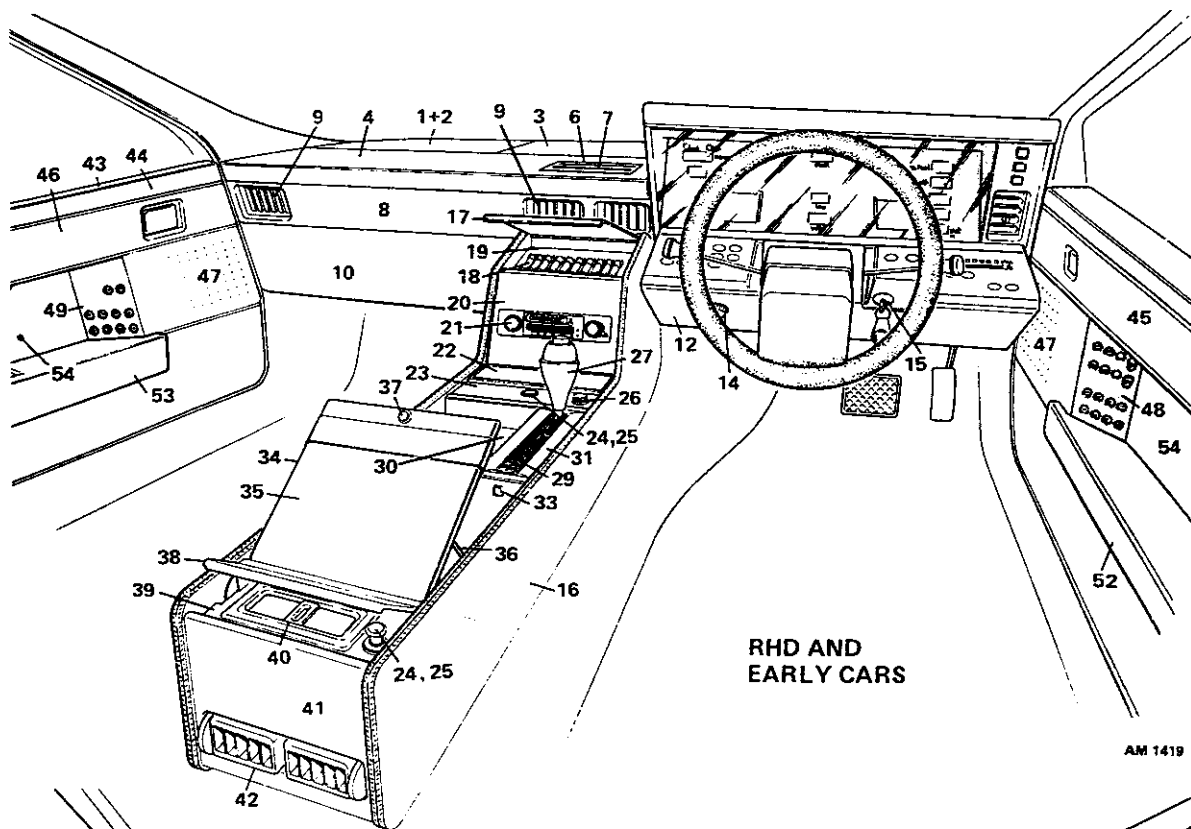
## ELECTRICS

Instruments & Controls  
Facia & Centre Console  
Cars to 1983

Illus No.	Part Number	Description	Qty	Remarks
-	80.13816	Lid pivot, LH	1	Pivots to console
-	691782	Screw, PK, No.6 x 3/8 in.	4	
-	80.13983	Plate, pivot mounting	1	Plate to console
-	691782	Screw, PK, No.6 x 3/8 in.	2	
-	692064	Washer, shakeproof, M4	4	} Pivots to mounting plate
-	692074	Nut, M4	4	
36	095.069.0131	Lid stay	2	Stays to console and lid
-	691782	Screw, PK, No.6 x 3/8 in.	8	
37	080.099.0004	Lid lock and keys	1	Striker to console
-	80.13814	Lock striker	1	
-	691782	Screw, PK, No.6 x 3/8 in.	2	Bracket to console
-	80.13822	Lid support bracket	1	
-	691782	Screw, PK, No.6 x 3/8 in.	4	Cover to console
-	80.13850	Cover, air conditioning tube	1	
-	110930	Screw, No.6 x 1/2 in.	2	Brackets to console
-	80.13812	Cover mounting bracket	2	
-	691782	Screw, PK, No.6 x 3/8 in.	4	Platform to console
38	80.13831	Lid, rear ashtray	1	
39	80.13834	Platform, rear ashtray	1	Platform to console
-	691782	Screw, PK, No.6 x 3/8 in.	4	
-	80.13821	Link, angled (with spring retainer)	1	Link, angled
-	80.13820	Link, angled	1	
-	80.13819	Link, straight	2	Spring
-	68.12375	Spring	1	
-	692054	Washer, plain, M4	8	Rivet, 5/32 in. x 5/16 in.
-	112113	Rivet, 5/32 in. x 5/16 in.	8	
40	069.083.0081	Ashtray, rear	1	Ashtray, rear
41	80.13829	Finisher plate	1	
-	691782	Screw, PK, No.6 x 3/8 in.	2	Air outlet
42	89.13308	Air outlet	1	
-	80.13827	Mounting bracket, upper	1	} Air outlet fixings
-	80.13828	Mounting bracket, lower	1	
-	581.000.0235	Pop rivet, 1/8 in. dia.	12	Air outlet box
-	80.13839	Air outlet box	1	
-	691782	Screw, PK, No.6 x 3/8 in.	5	Box to console
-	691782	Screw, PK, No.6 x 3/8 in.	3	
-	691782	Screw, PK, No.6 x 3/8 in.	2	Air outlet to box
43	83.14326	Trim capping, upper	2	
44	83.14324	Trim capping, side	2	Wood trim, RH
45	80.12105	Wood trim, RH	1	
46	80.12106	Wood trim, LH	1	Wood trim, LH
-	80.12573	Mounting bracket, wood trim	6	
-	691782	Screw, PK, No.6 x 3/8 in.	12	See section 6.3B
-	691782	Screw, PK, No.6 x 3/8 in.	2	
47		Speaker, front	2	See section 6.3B
48	83.12381	Touch switch panel metal cover, RH	1	
-	37.13311	Touch switch panel assembly, RH	1	Early cars
-	37.15851	Touch switch panel assembly, RH	1	
-	37.14160	Touch switch, square	12	Later cars (1980)
-	83.14436	Arrows legend, touch switch panel, RH	1	
-	095.037.0710	Door mirror switch	2	} RHD
49	83.12382	Touch switch panel metal cover, LH	1	
-	37.13313	Touch switch panel assembly, LH	1	Early cars
-	37.15847	Touch switch panel assembly, LH	1	
-	37.14160	Touch switch, square	10	Later cars (1980)
-	83.14437	Arrows legend, touch switch panel, LH	1	

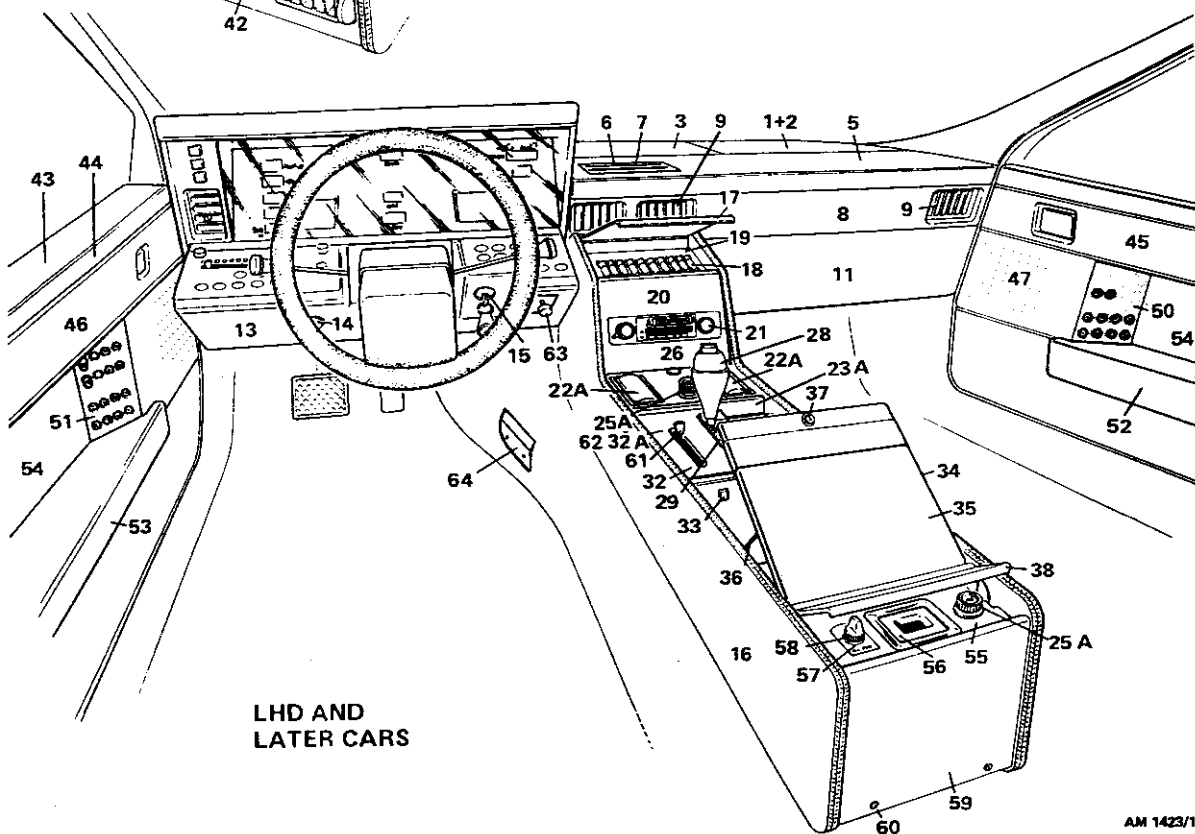
# ELECTRICS

Instruments & Controls  
Facia & Centre Console  
Cars to 1983



RHD AND EARLY CARS

AM 1419



LHD AND LATER CARS

AM 1423/1

## ELECTRICS

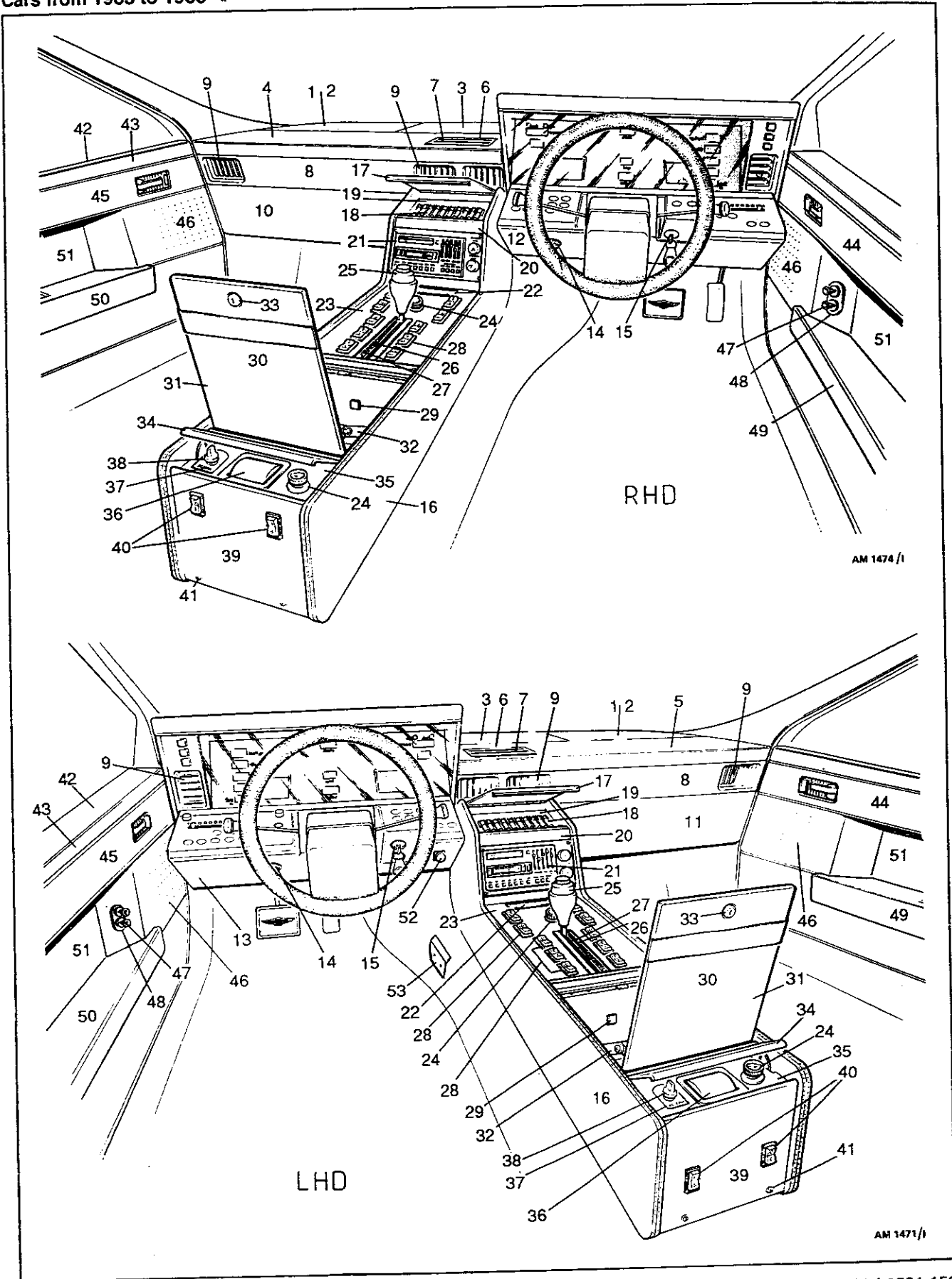
Instruments & Controls  
Facia & Centre Console  
Cars to 1983



Illus No.	Part Number	Description	Qty	Remarks	
50	83.15779	Touch switch panel metal cover, RH	1	} LHD	
-	37.15848	Touch switch panel assembly, RH	1		
-	37.14160	Touch switch, square	10		
-	83.15783	Arrows legend, touch switch panel, RH	1		
51	83.15778	Touch switch panel metal cover, LH	1		
-	37.15852	Touch switch panel assembly, LH	1		} USA Cars
-	37.17996	Touch switch panel assembly, LH	1		
-	37.14160	Touch switch, square	12		
-	83.15782	Arrows legend, touch switch panel, LH	1		
-	095.037.0710	Door mirror switch	2		
-	691700	Grommet	16	} Metal cover fixings	
-	589.000.0203	Nut, Nyloc, No. 10-32 UNF	8		
-	627.000.0603	Screw, No. 6 x 3/8 in.	4		
52	83.12675	Armrest, RH	1	} Cars with rear air conditioning unit	
53	83.12676	Armrest, LH	1		
54	83.14325	Trimboard, door recess	2		
-	83.13326	Trimboard hook	4		
-	069.099.0009	Trimboard clip	4		
55	80.17163	Platform, rear ashtray	1		
56	032.025.0021	Ashtray, rear	1		
-	114179	Screw, No. 6 x 3/4 in.	2		
-	80.17165	Bracket, ashtray fixing	1		
57	80.17192	Bezel, 3 speed blower	1		
58	89.18115	Blower switch knob	1	} Choke switch to control lever	
-	89.18114	Switch, 3 speed blower	1		
59	80.17166	Finisher plate	1		
60	691782	Screw, PK, No. 6 x 3/8 in.	2		
61	80.17961	Choke control lever	1		
-	80.17964	Choke lever knob	1		
-	80.17873	Choke cable (See below for grease and grommet)	1		
-	095.038.0107	Choke switch	1		
-	692030	Screw, 6BA x 5/8 in.	2		
-	691350	Washer, shakeproof, 6BA	2		} Choke control to bracket
-	691347	Nut, 6BA	2		
-	80.17966	Mounting bracket, choke and gear change cover	1	} Early USA cars	
-	692242	Screw, M5 x 12	2		
-	692045	Washer, spring, M5	2		
-	692055	Washer, plain, M5	2		
-	692075	Nut, M5	2		
-	80.17969	Choke lever escutcheon	1		
-	691853	Screw, No. 4 x 1/2 in.	2		
62	80.17967	Cover - gear lever and choke control	1		
-	80.17355	Tray panel, wooden	1		
63	69.18652	Housing, Choke cable	4		} Housing to later finisher plate (13)
-	692054	Washer plain, M4	4		
-	692314	Nut, nyloc, M4	1	} Later USA cars. (Approx. 1983)	
-	38.18657	Choke cable	as reqd		
-	008182	Grease, special, choke cable	1		
-	692790	Grommet, choke cable through bulkhead	1		
-	37.18658	Choke switch	1		
-	37.18659	Clip, switch retaining	1		
64	80.18607	Finisher, driver's footwell	1		} LHD
-	653.000.0606	Screw, No.6 x 3/4 in.	2		

# ELECTRICS

Instruments & Controls  
Facia & Centre Console  
Cars from 1983 to 1985







## ELECTRICS

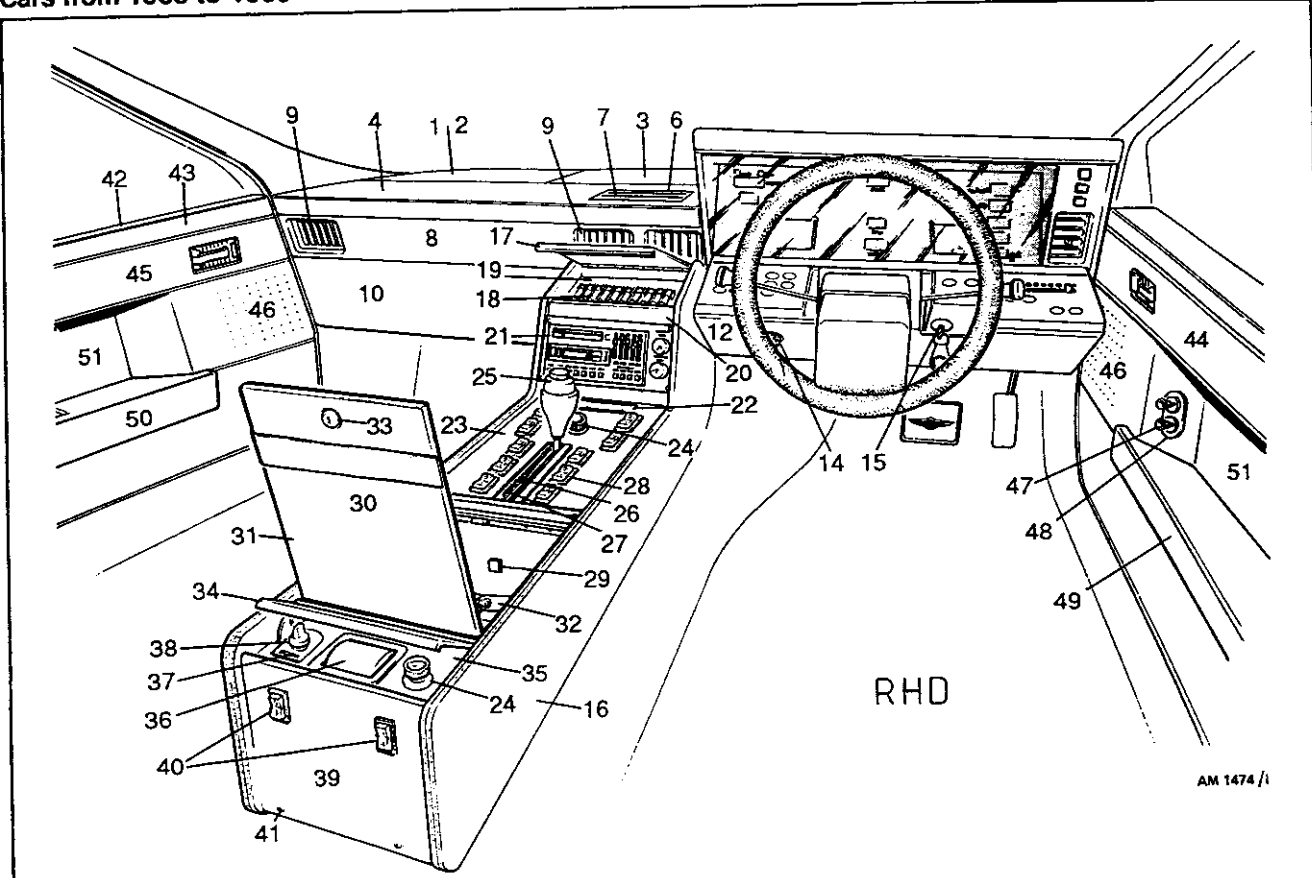
Instruments & Controls  
Facia & Centre Console  
Cars from 1983 to 1985

Illus No.	Part Number	Description	Qty	Remarks
		Note: The centre console shown was fitted from chassis no. 13284.		
1	69.12207	Dash trim pad, front, LH/RHD, RH/LHD	1	
2	69.12206	Dash trim pad, front, RH/RHD, LH/LHD	1	
3	69.12210	Dash trim pad, centre	1	
-	692323	Pad clip	2	
4	69.12226	Dash top crash roll pad	1	RHD
5	69.12227	Dash top crash roll pad	1	LHD
-	69.13626	Pad foam edge	1	
6	69.17014	Dash top vent	1	
7	69.16749	Vent grid	1	
-	69.19354	Vent grid	1	From chassis no. 13295
-	69.16752	Vent bracket	2	
-	691320	Rivet, 1/8 in. dia.	4	
8	80.13456	Wood trim, facia	1	
-	80.13460	Trim mounting bracket	3	
-	692359	Screw, No. 4 x 5/16 in.	6	
-	110930	Screw, No. 6 x 1/2 in.	3	
-	692408	Spire flat nut	3	
-	69.13461	Wood trim, rear plate	1	RHD
-	69.13462	Wood trim, rear plate	1	LHD
-	692345	Screw, M5 x 10	2	
-	692045	Washer, spring, M5	2	} Plate fixings
-	692055	Washer, plain, M5	2	
-	692075	Nut, M5	2	
-	692406	Screw, M5 x 12	3	
-	89.13468	Outlet duct, centre	1	
-	692404	Sealing strip	as reqd	
-	114179	Screw, No. 6 x 1/4 in.	3	
-	110854	Washer, plain, 4BA	3	
9	89.11942	Air outlet	4	Modify to suit car
10	69.12243	Facia trim pad lower	1	RHD
11	69.15750	Facia trim pad lower	1	LHD
-	692407	Pad clip	4	
-	653.000.0606	Screw, No. 6 x 3/4 in.	3	} Pad fixings
-	112183	Cup-washer, No. 6	3	
-	692404	Sealing strip	as reqd	
12	69.14577	Binnacles finisher plate	1	RHD
13	69.15738	Binnacles finisher plate	1	LHD
-	69.18655	Binnacles finisher plate	1	USA cars with choke control housing. See sections 6.1B and 6.1C
14	069.037.0158	Panel lamp dimmer switch	1	
-	69.15838	Switch knob depression, for finisher plates	1	
15	-	Steering lock and ignition switch	1	See section 4.3
16	80.18690	Centre console wood frame	1	
-	80.19814	Mounting bracket	1	
-	691782	Screw, PK, No. 6 x 3/8 in.	7	
17	80.16591	Fuse box lid	1	
-	690261	Screw, chrome, No. 6 x 3/8 in.	4	

# ELECTRICS

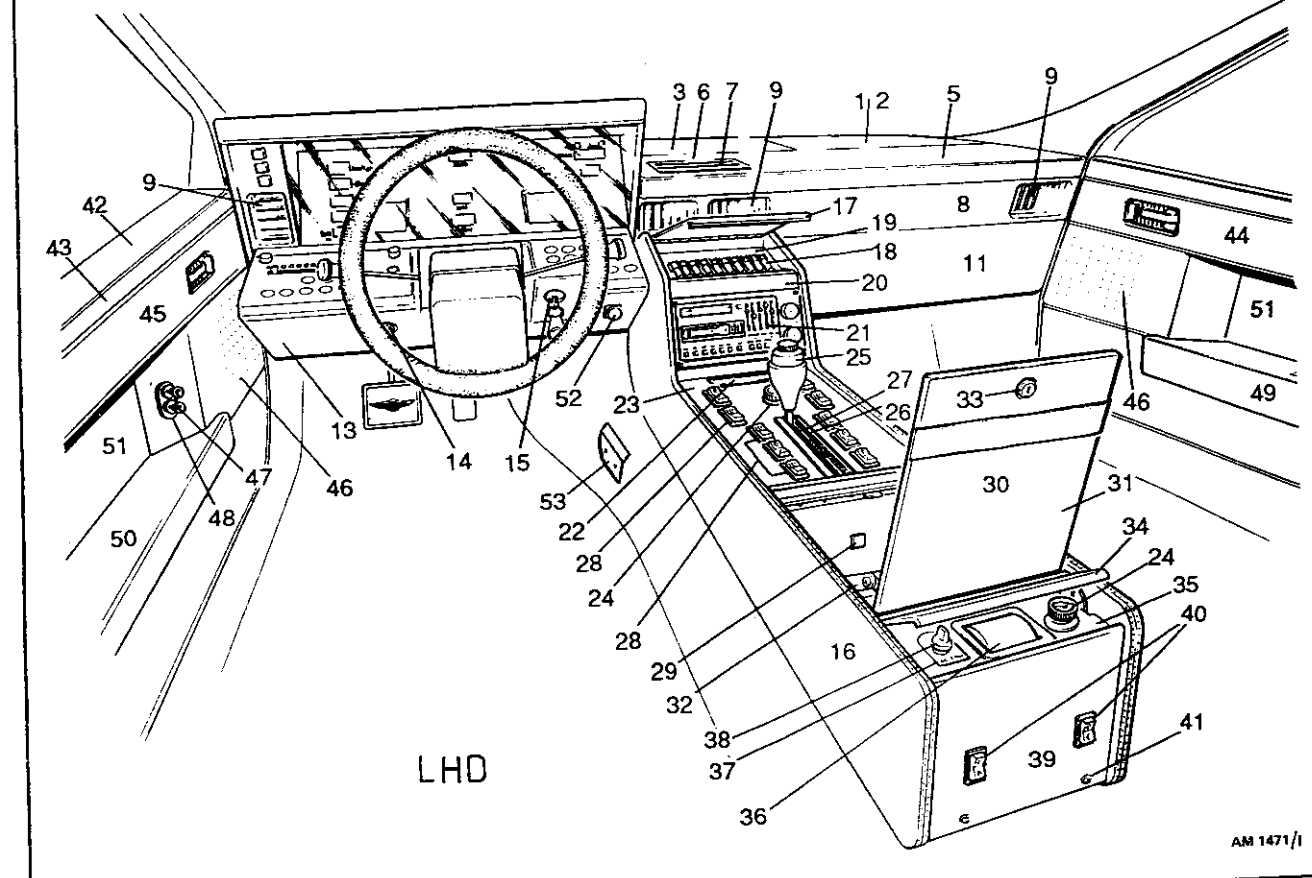


## Instruments & Controls Facia & Centre Console Cars from 1983 to 1985



RHD

AM 1474 /i



LHD

AM 1471 /i



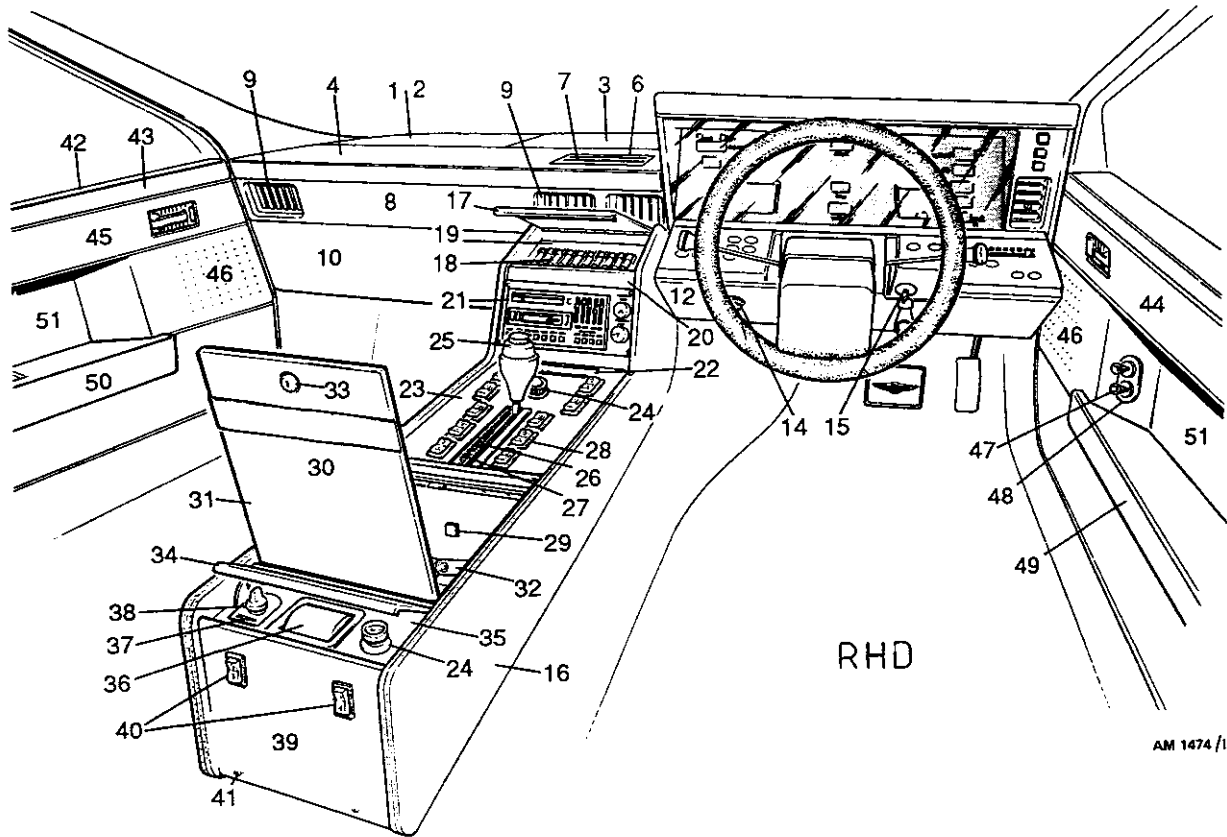
## ELECTRICS

**Instruments & Controls  
 Facia & Centre Console  
 Cars from 1983 to 1985**

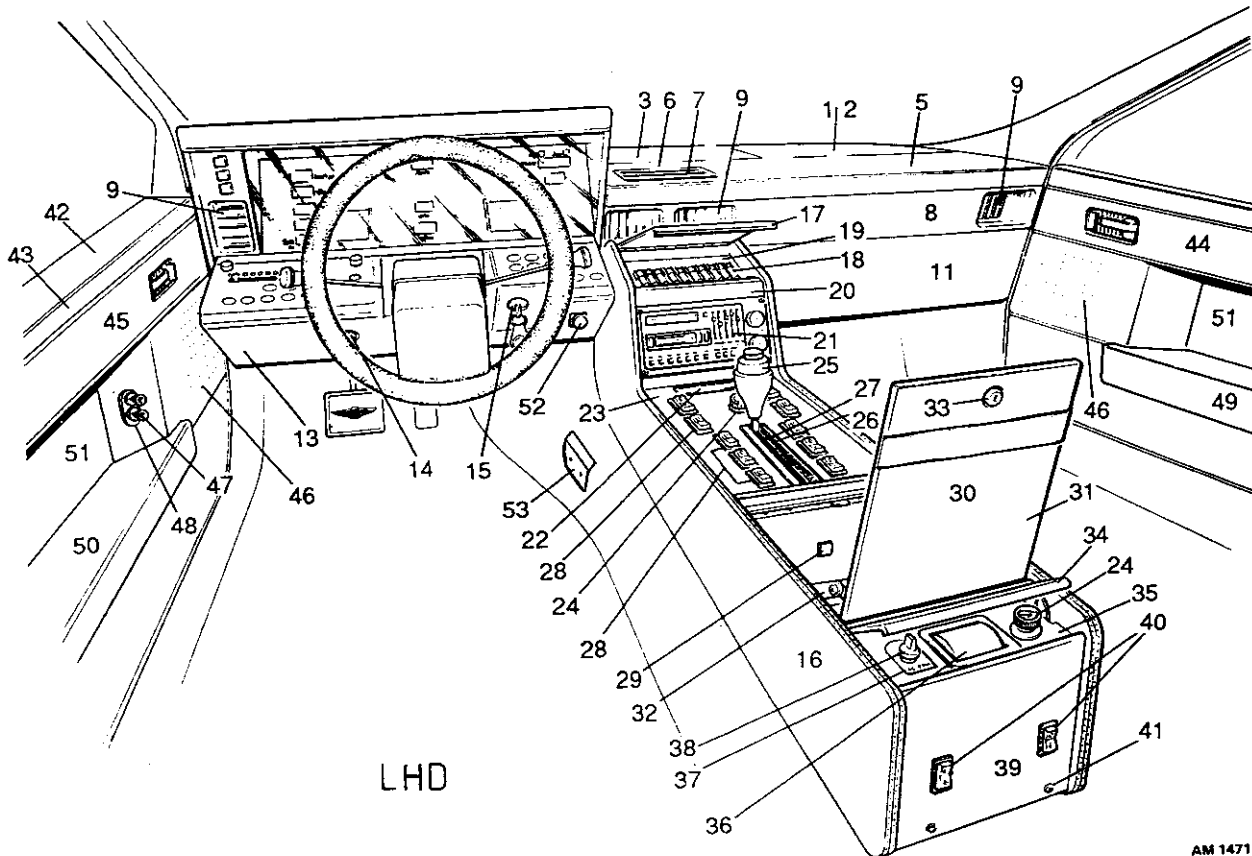
Illus No.	Part Number	Description	Qty	Remarks
18	095.037.0124	Fuse box, supplied without glass fuses.	1	} Fuse box now obsolete See section 6.3A.1 also
-	37.11072	Fuse box lid	1	
-	97.14537	Fuse box label, centre console	1	
19	80.13825	Cover plate, fuse box	1	
-	80.13810	Fuse box mounting bracket	2	
-	691782	Screw, PK, No. 6 x 3/8 in.	4	Brackets to console
-	692210	Screw, M4 x 12	2	Fuse box to brackets
20	80.18376	Wood trim, stereo surround	1	
-	80.19412	Wood trim, stereo surround	1	From approx. chassis nos: 13325/29. (1984)
-	80.14179	Trim support bracket	4	
-	691782	Screw, PK, No. 6 x 3/8 in.	16	
21	37.18528	Radio/cassette player, (Tenvox)	1	} Early cars
-	37.18529	Amplifier, (Tenvox)	1	
-	80.18701	Mounting bracket, amplifier	1	} Note: some cars are fitted with non-standard equipment.
-	37.19402	Radio/cassette player	1	
-	37.19623	Fixing bracket	1	
-	37.19403	Amplifier	1	
-	80.19411	Mounting bracket, amplifier	1	
-	692054	Washer, plain, M4	2	
-	692314	Nut, Nyloc, M4	2	} From approx. chassis nos: 13325/29. (1984)
-	691782	Screw, PK, No. 6 x 3/8 in.	4	
22	80.17551	Ashtray, front, small	1	
-	114179	Screw, No.6 x 3/4 in.	2	
23	80.18377	Wood trim, gear lever	1	
-	80.18381	Mounting bracket, rear, centre console	1	
-	692796	Screw, M4 x 25	2	Bracket to console
-	691782	Screw, PK, No.6 x 3/8 in.	2	Wood trim to bracket
24	37.16218	Cigar lighter, with symbol	2	Now obsolete. See section 6.1A.3 for later lighter.
-	37.15602	Bulb, 12V, 2W	2	Straight lever. See section 3.3
25	-	Gear lever assembly, RHD/LHD	1	
26	42.19220	Sealing brush, RH	1	
-	80.18378	Bracket, cable guard	1	For RH brush
27	42.13690	Sealing brush, LH	1	
-	691782	Screw, PK, No.6 x 3/8 in.	6	
28	37.18388	Switch, rocker	10	
29	37.15367	Switch button, square, plain	1	} Boot lock
-	37.15368	Bezel, square	1	
-	37.15369	Switch	1	
-	80.18551	Switch bracket	1	
-	691782	Screw, PK, No. 6 x 3/8 in. Bracket to console.	2	Trimmed
30	80.13849	Glove box lid assembly	1	
31	80.13847	Lid, metal, upper	1	
-	80.13848	Lid, wood, lower	1	
-	692443	Pivot bush	2	
-	80.13815	Lid pivot, RH	1	
-	80.13816	Lid pivot, LH	1	
-	691782	Screw, PK, No.6 x 3/8 in.	4	Pivots to console
-	80.13983	Plate, pivot mounting	1	
-	691782	Screw, PK, No.6 x 3/8 in.	2	Plate to console
-	692064	Washer, shakeproof, M4	4	} Pivots to mounting plate
-	692074	Nut, M4	4	

# ELECTRICS

Instruments & Controls  
Facia & Centre Console  
Cars from 1983 to 1985



AM 1474 /1



AM 1471 /1



## ELECTRICS

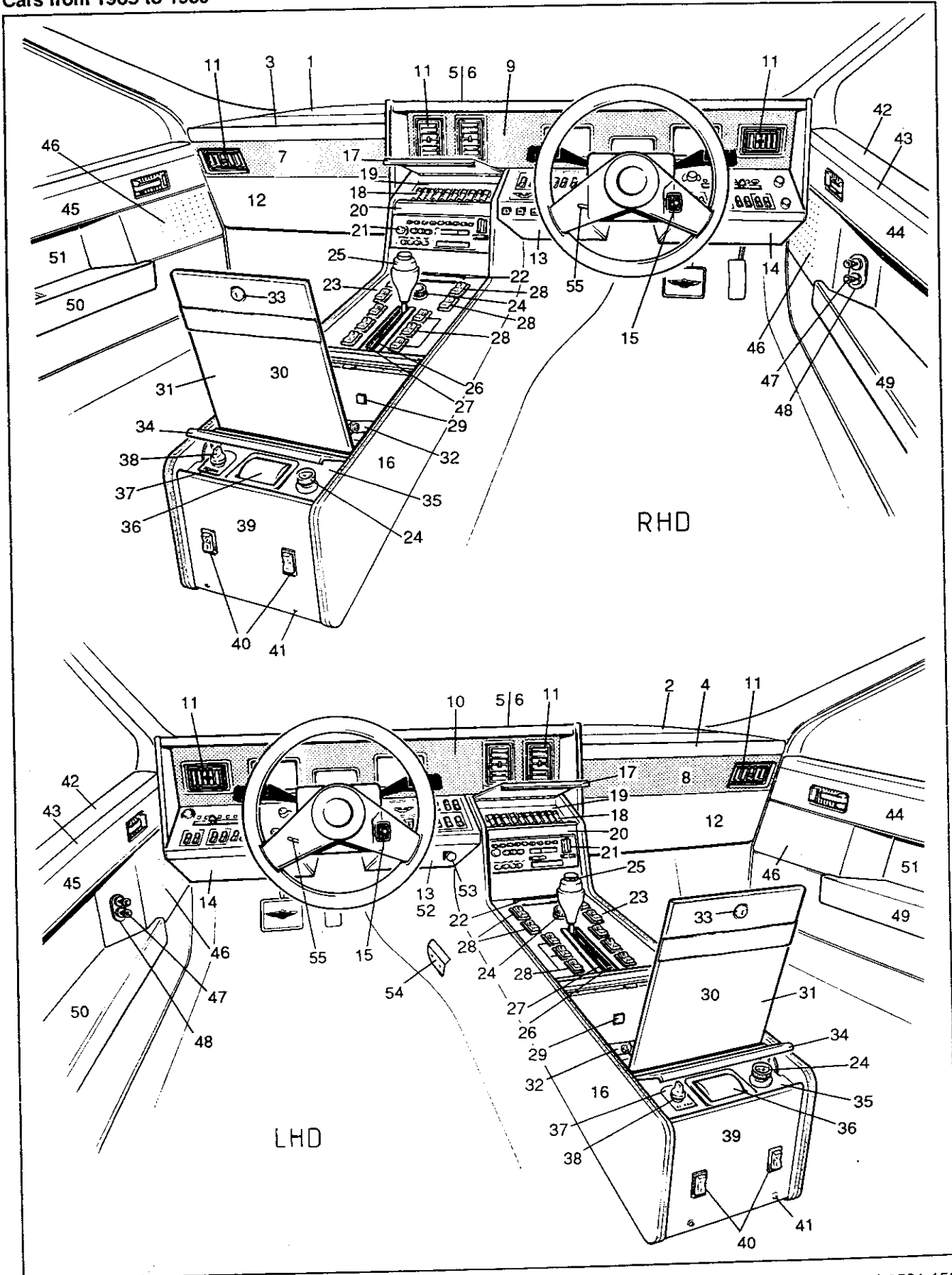
Instruments & Controls  
Facia & Centre Console  
Cars from 1983 to 1985

Illus No.	Part Number	Description	Qty	Remarks	
32	095.069.0131	Lid stay	2	Stays to console and lid	
-	691782	Screw, PK, No.6 x 3/8 in.	8		
33	080.099.0004	Lid lock and keys	1	Striker to console	
-	80.13814	Lock striker	1		
-	691782	Screw, PK, No.6 x 3/8 in.	2		
-	80.13822	Lid support bracket	1		
-	691782	Screw, PK, No.6 x 3/8 in.	4		
34	80.13831	Lid, rear ashtray	1	Bracket to console	
35	80.17163	Platform, rear ashtray	4		
-	691782	Screw, PK, No.6 x 3/8 in.	1	Platform to console	
-	80.13821	Link, angled (with spring retainer)	1		
-	80.13820	Link, angled	1		
-	80.13819	Link, straight	2		
-	68.12375	Spring	1		
-	692054	Washer, plain, M4	8		
-	112113	Rivet, 5/32 in. x 5/16 in.	8		
36	032.025.0021	Ashtray, rear	1		
-	114179	Screw, No. 6 x 3/4 in.	2		
-	80.17165	Bracket, ashtray fixing	1		
37	80.17192	Bezel, 3 speed blower	1		
38	89.18115	Blower switch knob	1		
-	89.18114	Switch, 3 speed blower	1		
39	80.18602	Finisher plate	2		
40	37.18388	Switch, rocker	2		
41	691782	Screw, PK, No. 6 x 3/8 in.	2		
42	83.14326	Trim capping, upper	2		
43	83.14324	Trim capping, side	1		
44	87.18372	Wood trim, RH	1		
45	87.18373	Wood trim, LH	6		
-	80.12573	Mounting bracket, wood trim	12		
-	691782	Screw, PK, No.6 x 3/8 in.	2	See section 6.3B	
46		Speaker, front	2		
47	095.037.0710	Door mirror switch	1		
48	83.18550	Switch finisher	1		
49	83.18806	Armrest, RH	1		
50	83.18807	Armrest, LH	2		
51	83.18572	Trimboard, door recess	4		
-	83.13326	Trimboard hook	4		
-	069.099.0009	Trimboard clip	1		
52	69.18652	Housing, Choke cable	4		} Housing to later } finisher plate (13)
-	692054	Washer plain, M4	4		
-	692314	Nut, nyloc, M4	1		
-	38.18657	Choke cable	as reqd		
-	008182	Grease, special, choke cable	1	} USA cars	
-	692790	Grommet, choke cable through bulkhead	1		
-	37.18658	Choke switch	1		
-	37.18659	Clip, switch retaining	1		
53	80.18607	Finisher, driver's footwell	2		
-	653.000.0606	Screw, No.6 x 3/4 in.			
-					LHD

# ELECTRICS



Instruments & Controls  
Facia & Centre Console  
Cars from 1985 to 1986





## ELECTRICS

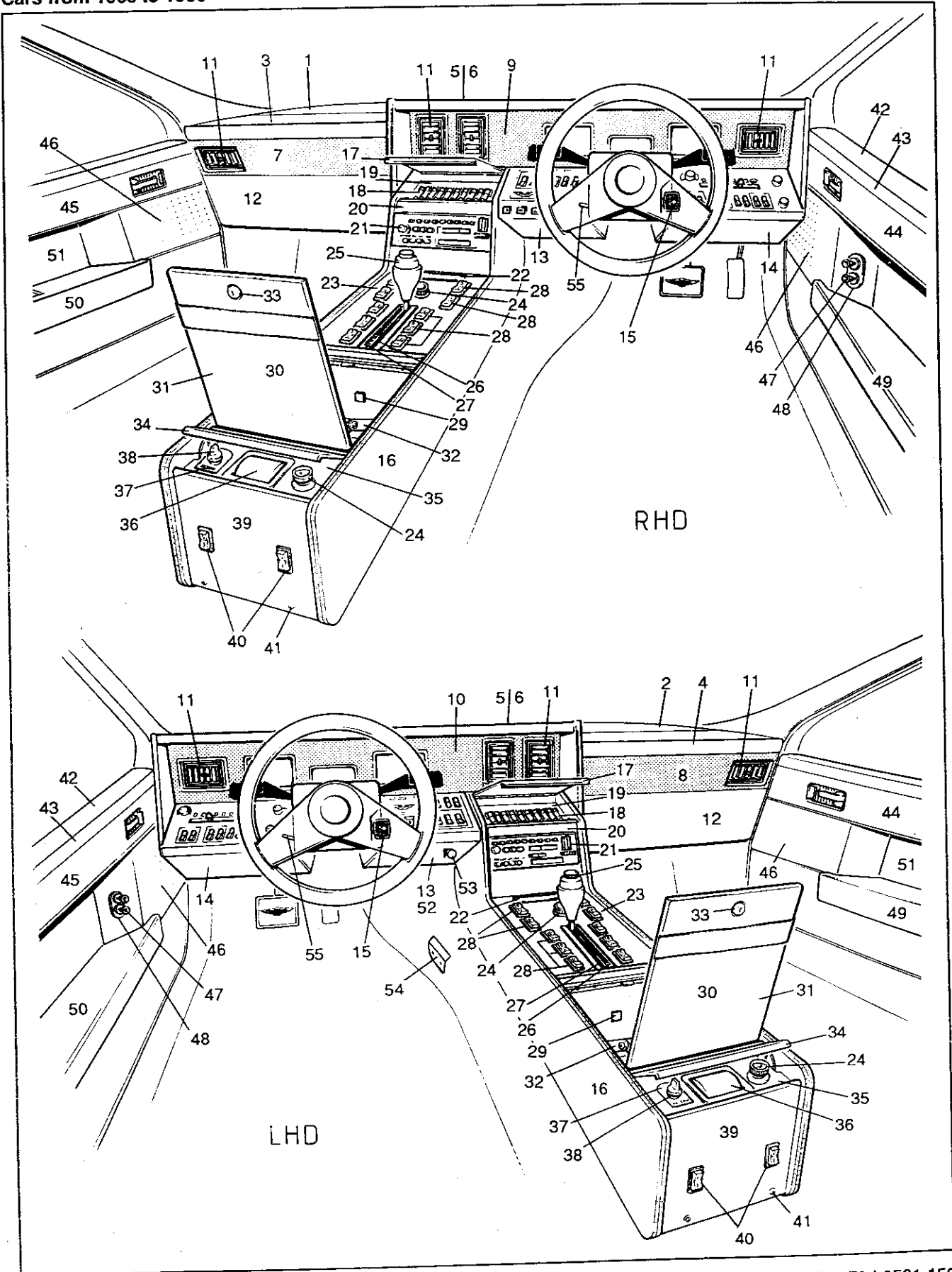
Instruments & Controls  
 Facia & Centre Console  
 Cars from 1985 to 1986

Illus No.	Part Number	Description	Qty	Remarks
		<b>Note:</b> The 3-screen instrumentation shown was fitted from chassis no. 13380.		
1	69.20727	Dash trim pad, front, LH	1	RHD
-	69.20726	Dash trim pad, front, RH	1	RHD
2	69.20728	Dash trim pad, front, RH	1	LHD
-	69.20729	Dash trim pad, front, LH	1	LHD
-	69.20735	Dash trim pad, centre	1	
-	69.20793	Spacer	2	
3	69.20562	Dash top crash roll pad	1	RHD
4	69.20561	Dash top crash roll pad	1	LHD
-	69.20616	Pad foam edge	1	
5	69.17014	Dash top vent	1	
6	69.19354	Vent grid	1	
7	87.20277	Wood trim, passenger's side	1	RHD
8	87.20276	Wood trim, passenger's side	1	LHD
-	80.20280	Trim mounting bracket	2	
-	692359	Screw, No. 4 x 5/16 in.	8	
-	692517	Screw, countersunk head, M4 x 16	2	
-	692054	Washer, plain, M4	2	
-	692074	Nut, M4	2	
-	69.20593	Wood trim, rear plate	1	RHD
-	69.20592	Wood trim, rear plate	1	LHD
-	692345	Screw, M5 x 10	4	} Plate fixings
-	692045	Washer, spring, M5	4	
-	692055	Washer, plain, M5	4	
9	87.20274	Wood trim, instruments	1	
10	87.20273	Wood trim, instruments	1	
-	692055	Washer, plain, M5	3	} Modify to suit car
-	692800	Nut, Nyloc, M5	3	
11	89.11942	Air outlet	4	
-	692359	Screw, No. 4 x 5/16 in.	8	
12	69.20397	Facia trim pad lower	1	} Pad fixings
-	653.000.0606	Screw, No. 6 x 3/4 in.	3	
-	112183	Cup-washer, No. 6	3	
13	69.21294	Binnacle finisher plate, inner	1	
14	69.20258	Binnacle finisher plate, outer	1	See section 4.3C
15	-	Steering lock and ignition switch	1	
16	80.20743	Centre console wood frame	1	
-	87.21767	Wooden base, glove box	1	
-	80.19814	Mounting bracket	1	
-	691782	Screw, PK, No. 6 x 3/8 in.	7	
17	80.20426	Fuse box lid	1	
-	690261	Screw, chrome, No. 6 x 3/8 in.	4	
18	095.037.0124	Fuse box, supplied without glass fuses.	1	} Fuse box now obsolete See section 6.3A.1 also Modify quick-blow fuse values
-	37.11072	Fuse box lid	1	
-	97.14537	Fuse box label, centre console	1	
19	80.20427	Cover plate, fuse box	1	
-	80.13810	Fuse box mounting bracket	2	

# ELECTRICS



## Instruments & Controls Facia & Centre Console Cars from 1985 to 1986





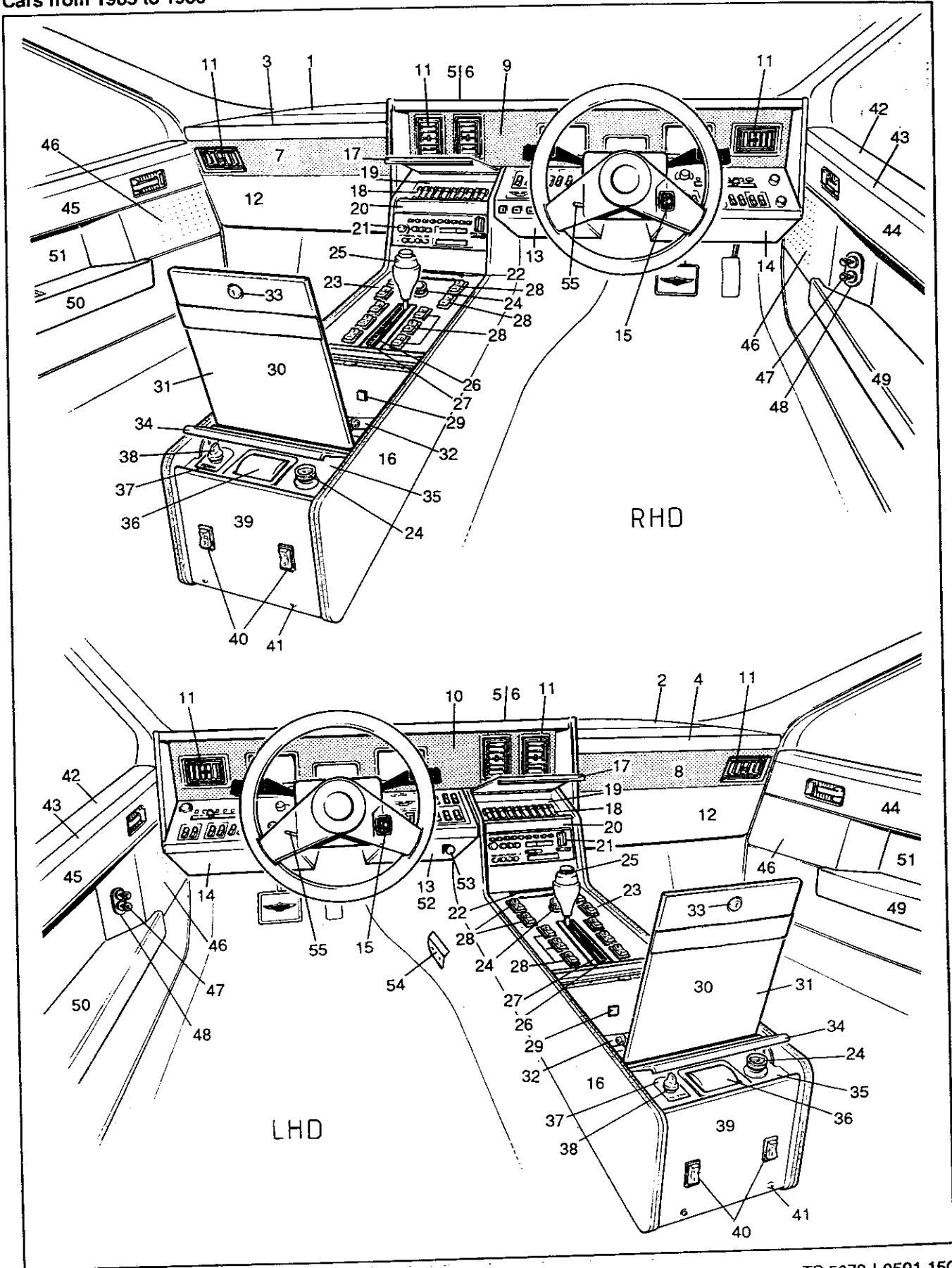
## ELECTRICS

Instruments & Controls  
Facia & Centre Console  
Cars from 1985 to 1986

Illus No.	Part Number	Description	Qty	Remarks
-	37.21299	Fuse box and lid, complete with porcelain fuses.	1	Fuses in section 6.3A.1 Check fuse values before fitting
-	97.20905	Fuse box label	1	
-	80.20976	Cover plate, fuse box	1	
-	80.20969	Fuse box mounting bracket	2	
-	095.069.0128	Spring clip, spare fuses.	4	} Early cars
-	692359	Screw, No. 4 x 5/16 in.	4	
-	693452	Clip, plastic, spare fuses.	4	Stick-on. Later cars
-	691782	Screw, PK, No. 6 x 3/8 in.	4	Brackets to console
-	692210	Screw, M4 x 12	2	Fuse box to brackets
20	80.19412	Wood trim, stereo surround	1	
-	80.14179	Trim support bracket	4	
-	691782	Screw, PK, No. 6 x 3/8 in.	16	
21	37.19402	Radio/cassette player	1	37.26610 from 1990
-	37.20770	Radio/cassette player	1	Swiss and W. German cars
-	37.25413	Radio/cassette player	1	USA cars from 1987
-	37.19623	Fixing bracket	1	
-	37.19403	Amplifier	1	
-	80.19411	Mounting bracket, amplifier	1	
-	692054	Washer, plain, M4	2	
-	692314	Nut, Nyloc, M4	2	
-	691782	Screw, PK, No. 6 x 3/8 in.	4	Bracket to console
22	80.17551	Ashtray, front, small	1	
-	114179	Screw, No.6 x 3/4 in.	2	
23	80.18377	Wood trim, gear lever	1	
-	80.18381	Mounting bracket, rear, centre console	1	
-	692796	Screw, M4 x 25	2	Bracket to console
-	691782	Screw, PK, No.6 x 3/8 in.	2	Wood trim to bracket
24	37.16218	Cigar lighter, with symbol	2	Now obsolete.
-	37.15602	Bulb, 12V, 2W	2	
-	37.22254	Body and light unit, cigar lighter	2	
-	048.037.0841	Bulb, 12V 2.2 W	2	} Cars from 1985
-	37.20992	Pop out unit, with chrome knob, cigar lighter	2	
-	020.037.0746	Element, cigar lighter	2	
25	-	Gear lever assembly, RHD/LHD	1	Straight lever. See section 3.3
26	42.19220	Sealing brush, RH	1	
-	80.18378	Bracket, cable guard	1	For RH brush
27	42.13690	Sealing brush, LH	1	
-	691782	Screw, PK, No.6 x 3/8 in.	6	
28	37.18388	Switch, rocker	10	
29	37.15367	Switch button, square, plain	1	
-	37.15368	Bezel, square	1	} Boot lock
-	37.15369	Switch	1	
-	80.18551	Switch bracket	1	
-	691782	Screw, PK, No. 6 x 3/8 in. Bracket to console.	2	
30	80.13849	Glove box lid assembly	1	Trimmed
31	80.13847	Lid, metal, upper	1	
-	80.13848	Lid, wood, lower	1	
-	692443	Pivot bush	2	
-	80.13815	Lid pivot, RH	1	
-	80.13816	Lid pivot, LH	1	
-	691782	Screw, PK, No.6 x 3/8 in.	4	Pivots to console

# ELECTRICS

Instruments & Controls  
Facia & Centre Console  
Cars from 1985 to 1986





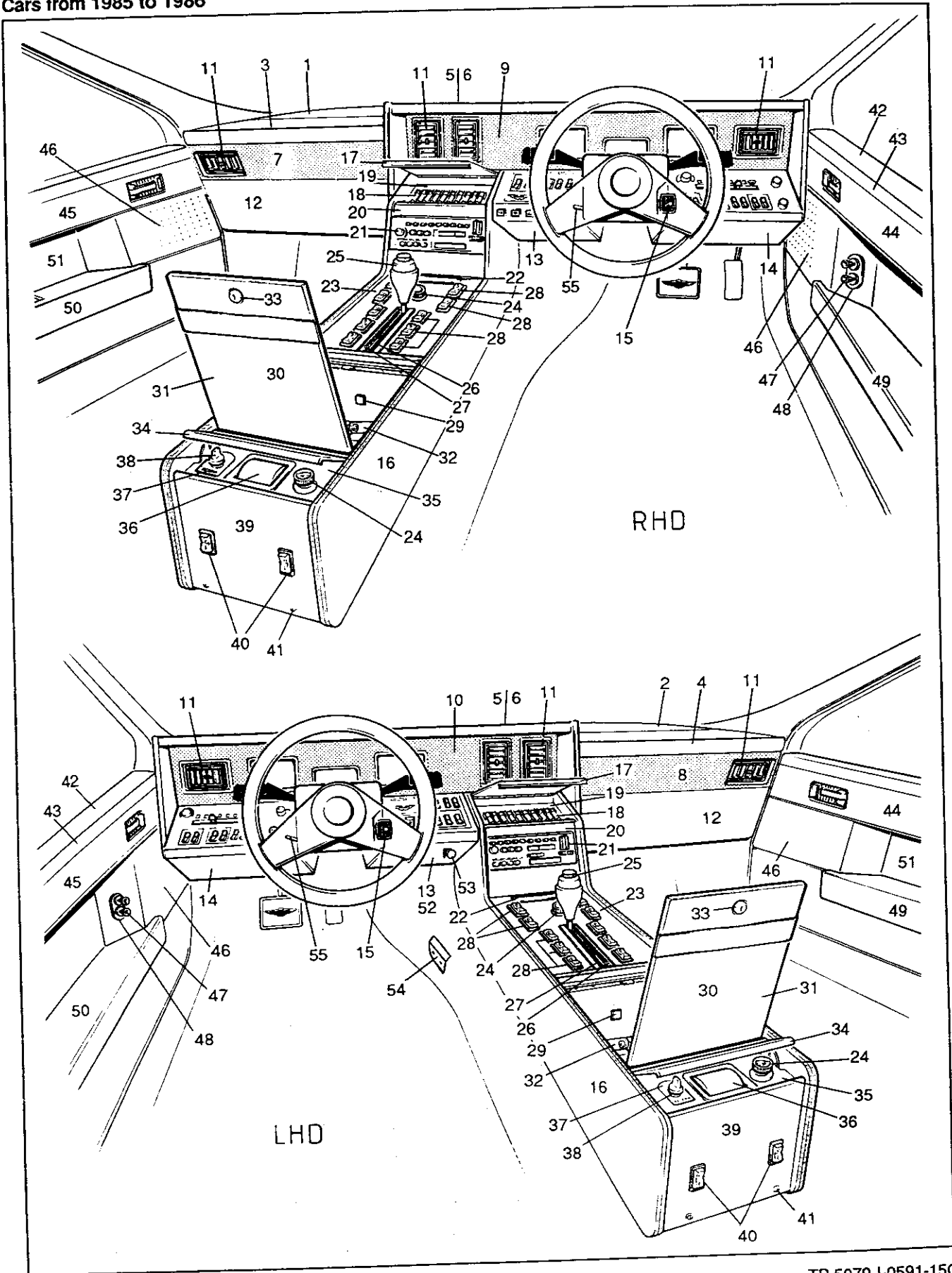
## ELECTRICS

Instruments & Controls  
 Facia & Centre Console  
 Cars from 1985 to 1986

Illus No.	Part Number	Description	Qty	Remarks
-	80.13983	Plate, pivot mounting	1	
-	691782	Screw, PK, No.6 x 3/8 in.	2	Plate to console
-	692064	Washer, shakeproof, M4	4	} Pivots to } mounting plate
-	692074	Nut, M4	4	
32	095.069.0131	Lid stay	2	
-	691782	Screw, PK, No.6 x 3/8 in.	8	Stays to console and lid
33	080.099.0004	Lid lock and keys	1	
-	80.13814	Lock striker	1	
-	691782	Screw, PK, No.6 x 3/8 in.	2	Striker to console
-	80.13822	Lid support bracket	1	
-	691782	Screw, PK, No.6 x 3/8 in.	4	Bracket to console
34	80.13831	Lid, rear ashtray	1	
35	80.17163	Platform, rear ashtray	1	
-	691782	Screw, PK, No.6 x 3/8 in.	4	Platform to console
-	80.13821	Link, angled (with spring retainer)	1	
-	80.13820	Link, angled	1	
-	80.13819	Link, straight	2	
-	68.12375	Spring	1	
-	692054	Washer, plain, M4	8	
-	112113	Rivet, 5/32 in. x 5/16 in.	8	
36	032.025.0021	Ashtray, rear	1	
-	114179	Screw, No. 6 x 3/4 in.	2	
-	80.17165	Bracket, ashtray fixing	1	
37	80.17192	Bezel, 3 speed blower	1	
38	89.18115	Blower switch knob	1	
-	89.18114	Switch, 3 speed blower	1	
39	80.18602	Finisher plate	1	
40	37.18388	Switch, rocker	2	
41	691782	Screw, PK, No. 6 x 3/8 in.	2	
42	83.14326	Trim capping, upper	2	
43	83.14324	Trim capping, side	2	
44	87.18372	Wood trim, RH	1	
45	87.18373	Wood trim, LH	1	
-	80.12573	Mounting bracket, wood trim	6	
-	691782	Screw, PK, No.6 x 3/8 in.	12	
46		Speaker, front	2	See section 6.3B
47	095.037.0710	Door mirror switch	2	
48	83.18550	Switch finisher	1	
-	37.21196	Door mirror switch, thin lever	2	
-	069.037.0115	Fixing nut, door mirror switches	2	
-	83.21189	Rear plate, door mirror switches	1	} Rear plate } attach
-	691623	Washer, plain, 9/16 in. OD.	4	
-	692465	Pop rivet, 1/8 in. dia.	4	} From } chassis } no. } 13438
-	83.21191	Switch finisher	1	
49	83.18806	Armrest, RH	1	
50	83.18807	Armrest, LH	1	
51	83.18572	Trimboard, door recess	2	
-	83.13326	Trimboard hook	4	
-	069.099.0009	Trimboard clip	4	

# ELECTRICS

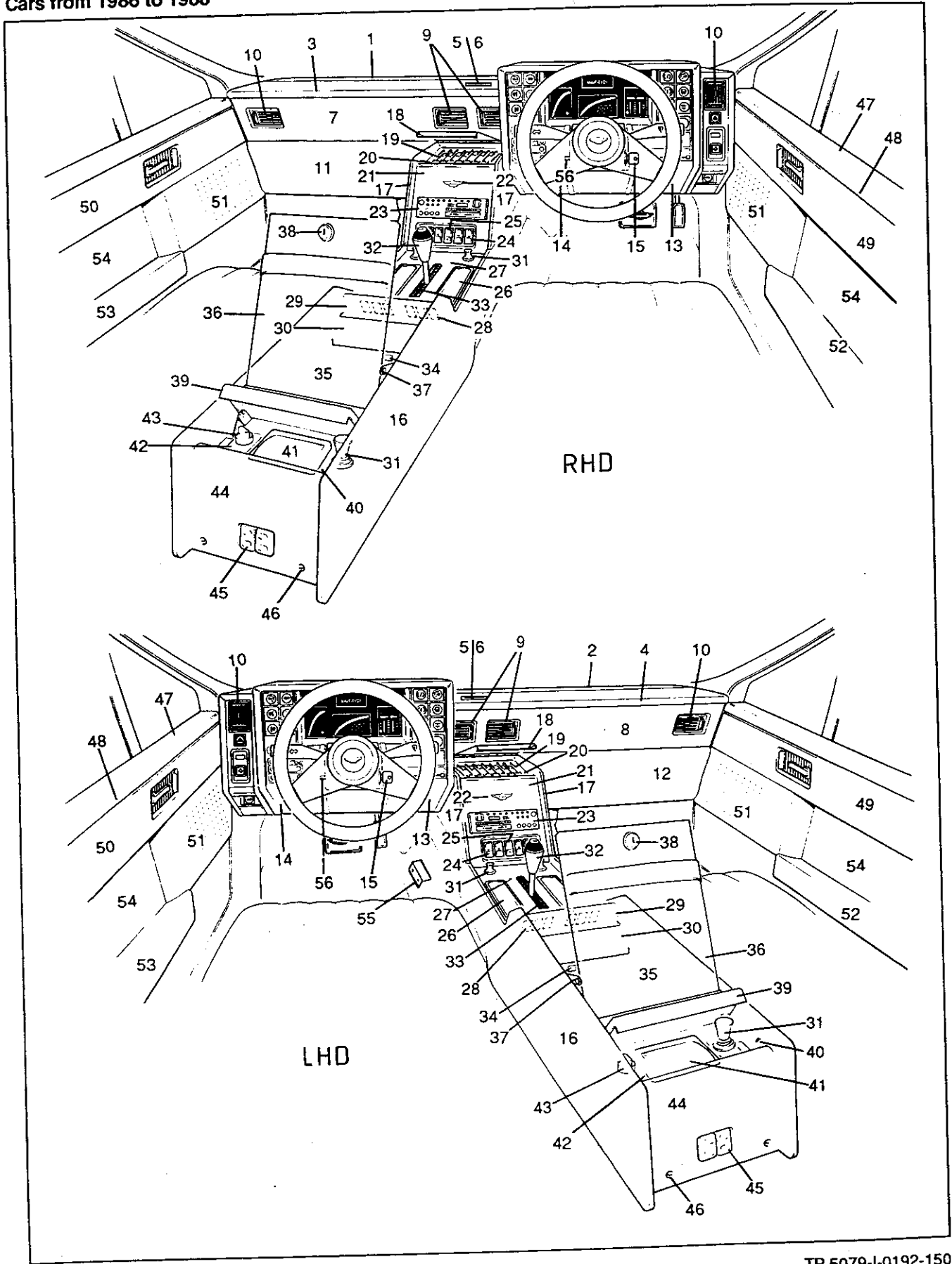
Instruments & Controls  
Facia & Centre Console  
Cars from 1985 to 1986





ELECTRICS

Instruments & Controls  
Facia & Centre Console  
Cars from 1986 to 1988





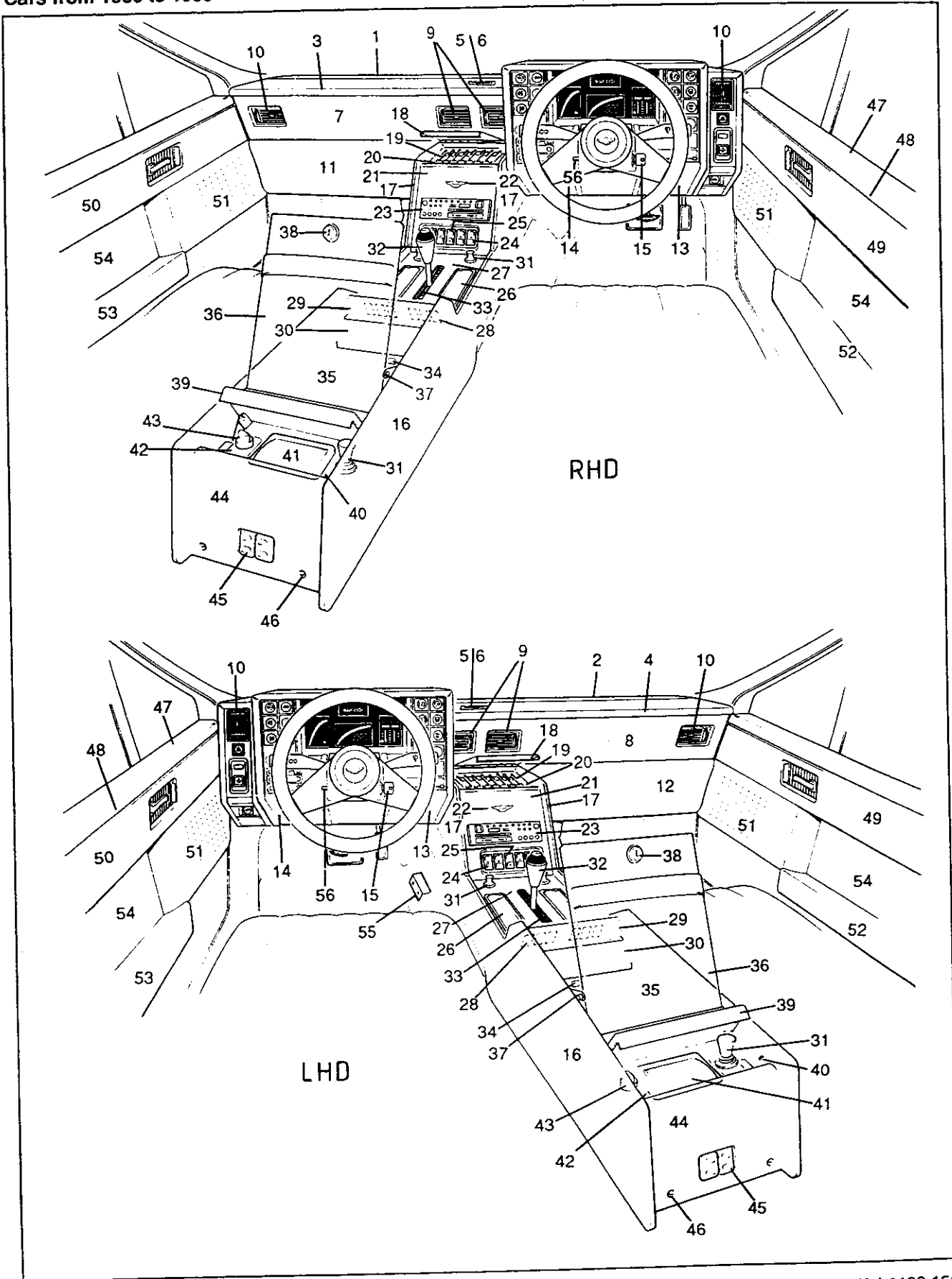
## ELECTRICS

**Instruments & Controls  
Facia & Centre Console  
Cars from 1986 to 1988**

Illus No.	Part Number	Description	Qty	Remarks
1	69.22147	Dash trim pad, front, LH	1	RHD (69.22099)
-	69.22100	Dash trim pad, front, RH	1	RHD
2	69.22146	Dash trim pad, front, RH	1	LHD (69.22100)
-	69.22099	Dash trim pad, front, LH	1	LHD
-	69.20735	Dash trim pad, centre	1	
-	69.20793	Spacer	2	
-	693124	Fixing pad	as reqd	
3	69.22114	Dash top crash roll pad	1	RHD
4	69.22115	Dash top crash roll pad	1	LHD
-	69.21995	Pad foam edge	1	
5	69.17014	Dash top vent	1	} Not fitted from approx. } chassis no. 13558. June 1988
6	69.19354	Vent grid	1	
-	69.22196	Support bracket, dash top panel	2	
-	692090	Screw, M5 x 12	4	} Support bracket } fixings
-	692045	Washer, spring, M5	4	
7	69.21978	Wood trim, passenger's side	1	RHD
8	69.21977	Wood trim, passenger's side	1	LHD
-	69.21976	Trim mounting bracket	1	
-	691782	Screw, PK, No. 6 x 3/8 in.	6	
-	69.22445	Finisher, wood trim to centre console	1	
-	692126	Screw, M4 x 8	2	} Finisher to lower } plenum cover
-	692064	Washer, spring, M4	2	
-	69.21982	Wood trim, rear plate	1	RHD
-	69.21983	Wood trim, rear plate	1	LHD
-	69.21980	Top cover, plenum chamber	1	RHD
-	69.21981	Top cover, plenum chamber	1	LHD
-	69.21984	Lower cover, plenum cover	1	
-	691782	Screw, PK, No. 6 x 3/8 in.	17	} Plate and cover fixings
-	692172	Clip, spire, No. 6	17	
-	691342	Air drying neoprene	as reqd	
9	69.21986	Air outlet, centre	2	
10	69.21987	Air outlet, outer	2	
-	89.22148	Adaptor, air hose to outer air outlet	2	
11	69.22341	Facia trim pad lower	1	RHD
12	69.21952	Facia trim pad lower	1	LHD
-	692210	Screw, M4 x 12	3	} Pad } fixings
-	692054	Washer, plain, M4	3	
13	69.21617	Binnacle finisher plate, RH	1	
14	69.21657	Binnacle finisher plate, LH	1	
15	-	Steering lock and ignition switch	1	See section 4.3C
16	80.22174	Centre console wood frame	1	
-	87.21767	Wooden base, glove box	1	
-	80.22177	Mounting bracket, front	1	
-	692452	Screw, M5 x 16, countersunk head	4	} Mounting bracket } to } centre console
-	692090	Screw, M5 x 12	2	
-	692045	Washer, spring, M5	2	
17	80.22360	Side panel, centre console	2	
-	80.22107	Support plate, side panels	2	
-	691782	Screw, PK, No. 6 x 3/8 in.	4	
18	80.22332	Fuse box lid	1	
-	112192	Screw, No. 6 x 3/8 in., countersunk head	2	} Fuse box lid } to centre console
-	691782	Screw, PK, No. 6 x 3/8 in.	2	

# ELECTRICS

Instruments & Controls  
Facia & Centre Console  
Cars from 1986 to 1988







## ELECTRICS

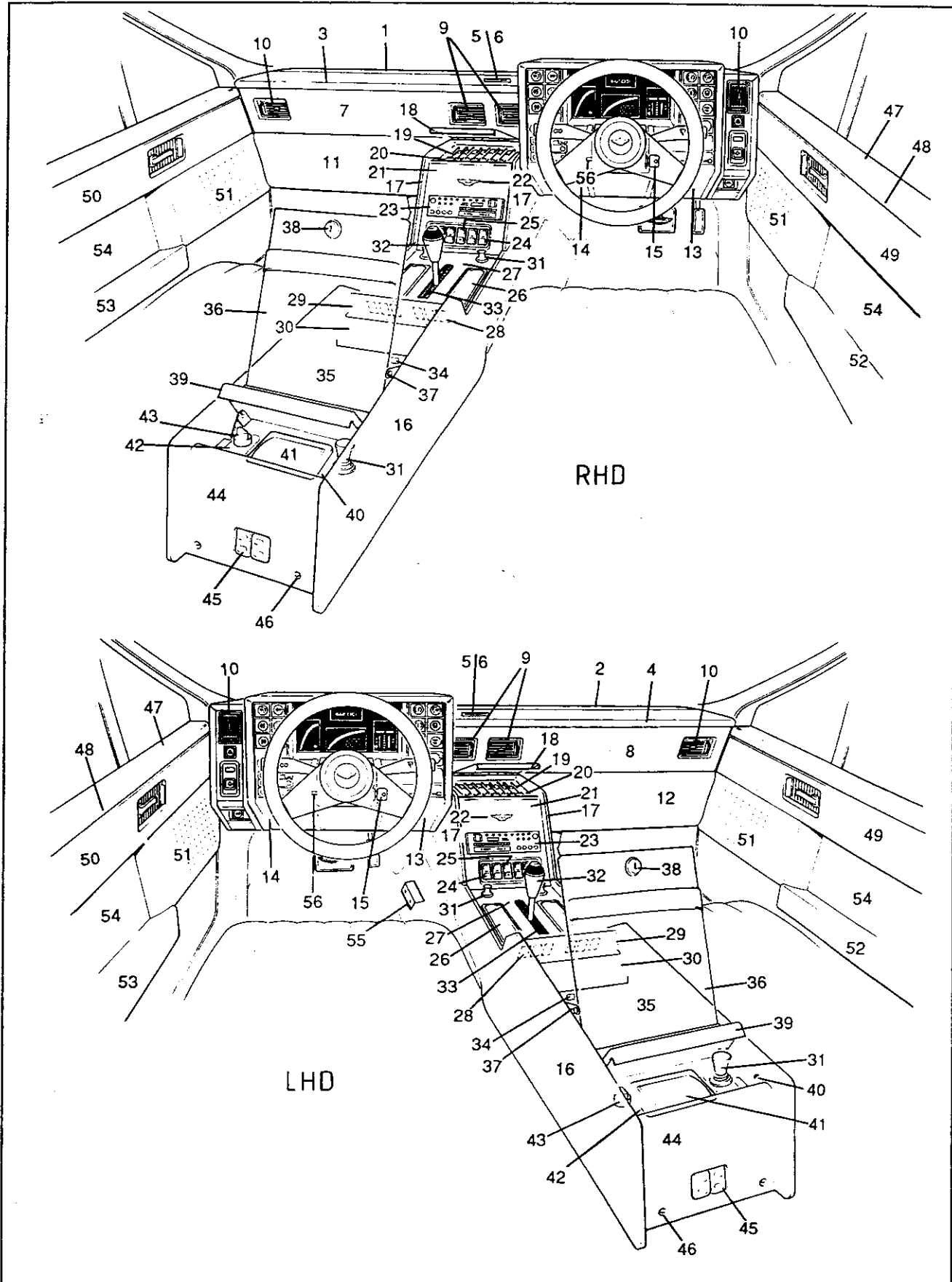
Instruments & Controls  
 Facia & Centre Console  
 Cars from 1986 to 1988

Illus No.	Part Number	Description	Qty	Remarks
19	37.21299	Fuse box and lid, complete with porcelain fuses.	1	Fuses in section 6.3A.1 Check fuse values before fitting
-	97.22627	Fuse box label	1	
-	693452	Clip, plastic, spare fuses.	4	Stuck to fuse box lid
20	69.22362	Cover plate, fuse box	1	
-	69.22155	Fuse box mounting bracket	2	} Bracket to lower plenum cover
-	692090	Screw, M5 x 12	2	
-	692045	Washer, spring, M5	2	} Fuse box to bracket
-	692126	Screw, M4 x 8	2	
-	692054	Washer, plain, M4	1	
21	80.22175	Wood trim, stereo surround	1	
-	80.22433	Wood trim support bracket, LH	1	
-	80.22434	Wood trim support bracket, RH	12	} Support brackets to centre console side panels and wood trim to support brackets
-	691782	Screw, PK, No. 6 x 3/8 in.	2	
-	692242	Screw, M5 x 12	2	
-	692045	Washer, spring, M5	1	
-	80.22339	Retaining plate, centre console, LH	1	
-	80.22340	Retaining plate, centre console, RH	6	Retaining plates to side panels
-	691782	Screw, PK, No. 6 x 3/8 in.	1	
-	80.25861	Support bracket, radio	2	} Support bracket to retaining plates
-	692126	Screw, M4 x 8	2	
-	692044	Washer, spring, M4	2	
-	692054	Washer, plain, M4	1	
22	68.22227	Lagonda badge	2	
-	693354	Fixer, starlock	1	37.26610 from 1990
23	37.19402	Radio/cassette player	1	Swiss and W. German cars
-	37.20770	Radio/cassette player	1	USA cars from 1987
-	37.25413	Radio/cassette player	1	
-	37.19623	Fixing bracket	1	
-	37.19403	Amplifier	1	
-	80.19411	Mounting bracket, amplifier	1	
-	692054	Washer, plain, M4	2	
-	692314	Nut, Nyloc, M4	2	
-	691782	Screw, PK, No. 6 x 3/8 in.	4	Bracket to console
24	37.22481	Switch, rocker	4	Window lift
25	37.22482	Switch, rocker, centre	1	Window lift override
-	80.22435	Mounting plate, window lift switches	1	
-	691782	Screw, PK, No. 6 x 3/8 in.	4	Mounting plate attach
26	80.17551	Ashtray, front, small	2	
-	80.22440	Mounting bracket, ashtray	2	
-	114179	Screw, No. 6 x 3/4 in.	4	} Ashtrays to brackets
-	692172	Clip, spire, No. 6	4	
-	692452	Screw, M5 x 16, countersunk head	4	Bracket to console
27	80.22431	Gear lever panel	1	
-	80.22184	Mounting bracket, rear, centre console	1	
-	692452	Screw, M5 x 16, countersunk head	4	Bracket to console
28	37.18388	Switch, rocker	6	Seat controls
29	80.22186	Mounting bracket, switches	1	
-	692126	Screw, M4 x 8	3	} Mounting bracket to centre console rear bracket
-	692044	Washer, spring, M4	3	
30	80.22190	Cover plate, seat switches	1	
-	691782	Screw, PK, No. 6 x 3/8 in.	7	Cover plate to mounting bracket

Note: Some cars are fitted with non-standard equipment.

# ELECTRICS

Instruments & Controls  
Facia & Centre Console  
Cars from 1986 to 1988





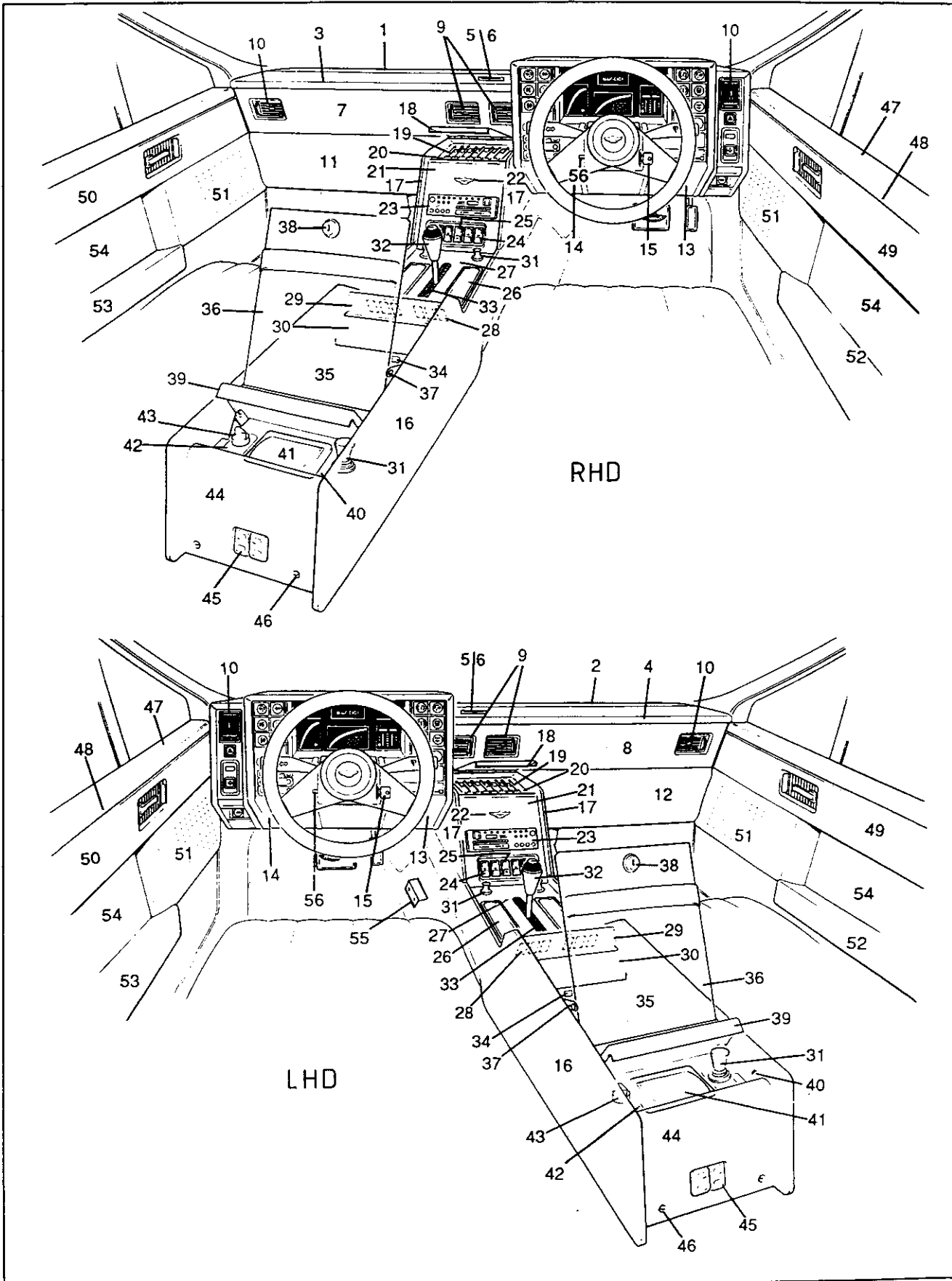
## ELECTRICS

Instruments & Controls  
Facia & Centre Console  
Cars from 1986 to 1988

Illus No.	Part Number	Description	Qty	Remarks
31	37.20992	Pop out unit, with chrome knob, cigar lighter	3	
-	020.037.0746	Element, cigar lighter	3	
-	37.22254	Body and light unit, cigar lighter	3	
-	048.037.0841	Bulb, 12V 2.2 W	3	
32	-	Gear lever assembly, RHD/LHD	1	Straight lever. See section 3.3
33	42.22338	Sealing brush, RH and LH	2	
-	80.18378	Bracket, cable guard	1	For RH brush
-	692054	Washer, plain, M4	6	} Sealing brushes to gearlever panel
-	692314	Nut, M4	6	
34	37.15367	Switch button, square, plain	1	
-	37.15368	Bezel, square	1	} Boot lock
-	37.15369	Switch	1	
-	80.18551	Switch bracket	1	
-	691782	Screw, PK, No. 6 x 3/8 in. Bracket to console.	2	
35	80.13849	Glove box lid assembly	1	Trimmed
36	80.13847	Lid, metal, upper	1	
-	80.13848	Lid, wood, lower	2	
-	692443	Pivot bush	1	
-	80.13815	Lid pivot, RH	1	
-	80.13816	Lid pivot, LH	4	Pivots to console
-	691782	Screw, PK, No.6 x 3/8 in.	1	
-	80.13983	Plate, pivot mounting	2	Plate to console
-	691782	Screw, PK, No.6 x 3/8 in.	4	} Pivots to mounting plate
-	692064	Washer, shakeproof, M4	4	
-	692074	Nut, M4	4	
37	095.069.0131	Lid stay	2	
-	691782	Screw, PK, No.6 x 3/8 in.	8	Stays to console and lid
38	080.099.0004	Lid lock and keys	1	
-	80.22453	Lock striker	1	
-	691782	Screw, PK, No.6 x 3/8 in.	2	Striker to bracket
39	80.13831	Lid, rear ashtray	1	
40	80.17163	Platform, rear ashtray	1	
-	691782	Screw, PK, No.6 x 3/8 in.	4	Platform to console
-	80.13821	Link, angled (with spring retainer)	1	
-	80.13820	Link, angled	1	
-	80.13819	Link, straight	2	
-	68.12375	Spring	1	
-	692054	Washer, plain, M4	8	
-	112113	Rivet, 5/32 in. x 5/16 in.	8	
41	032.025.0021	Ashtray, rear	1	
-	114179	Screw, No. 6 x 3/4 in.	2	
-	80.17165	Bracket, ashtray fixing	1	
42	80.17192	Bezel, 3 speed blower	1	
43	89.18115	Blower switch knob	1	
-	89.18114	Switch, 3 speed blower	1	
44	80.22194	Finisher plate	1	Window lift
45	37.22481	Switch, rocker	2	
-	80.22123	Mounting plate, switches	1	
-	692054	Washer, plain, M4	4	} Mounting plate to finisher plate
-	692314	Nut, M4	4	
46	691782	Screw, PK, No. 6 x 3/8 in.	2	

# ELECTRICS

Instruments & Controls  
Facia & Centre Console  
Cars from 1986 to 1988



**ELECTRICS**

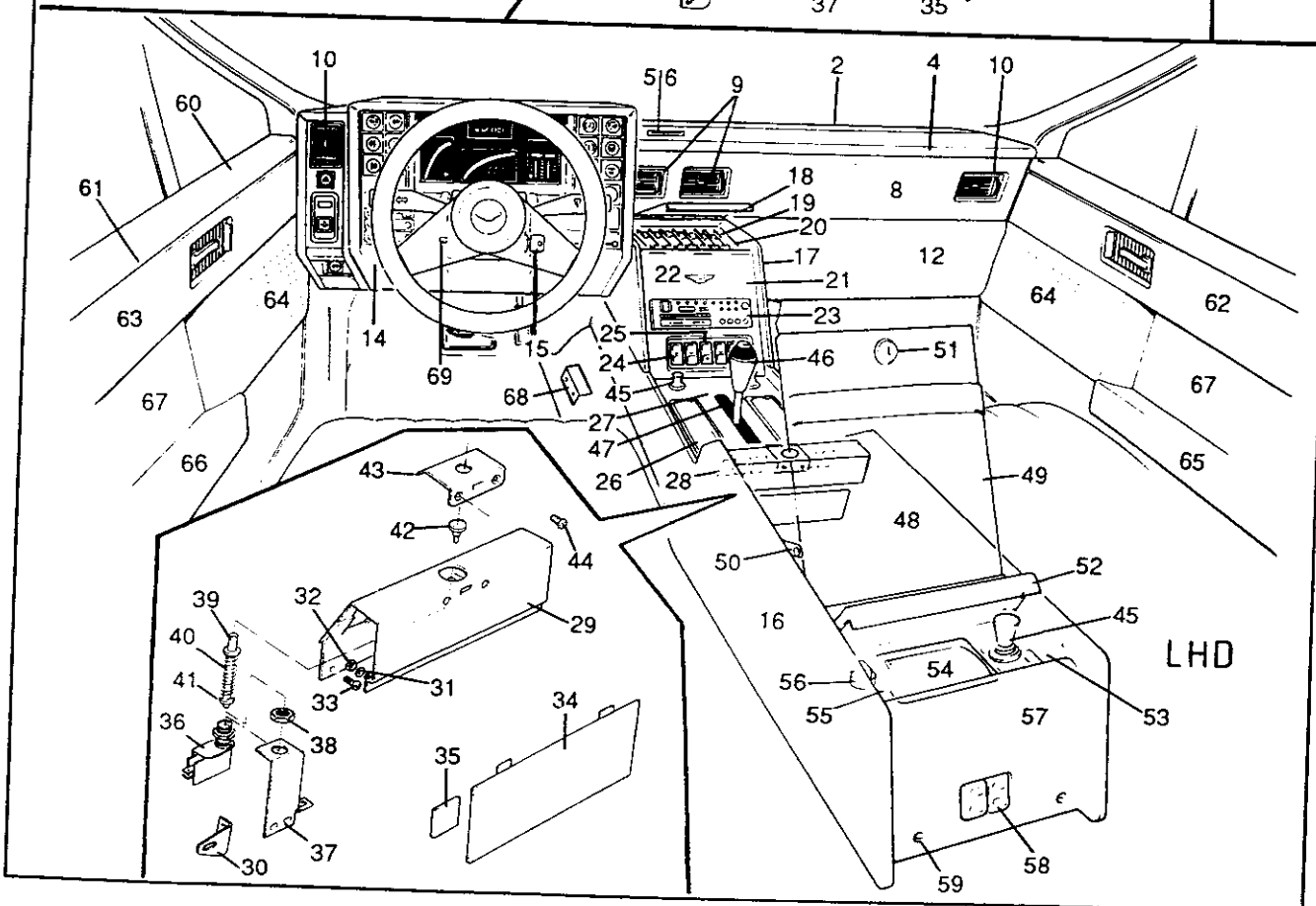
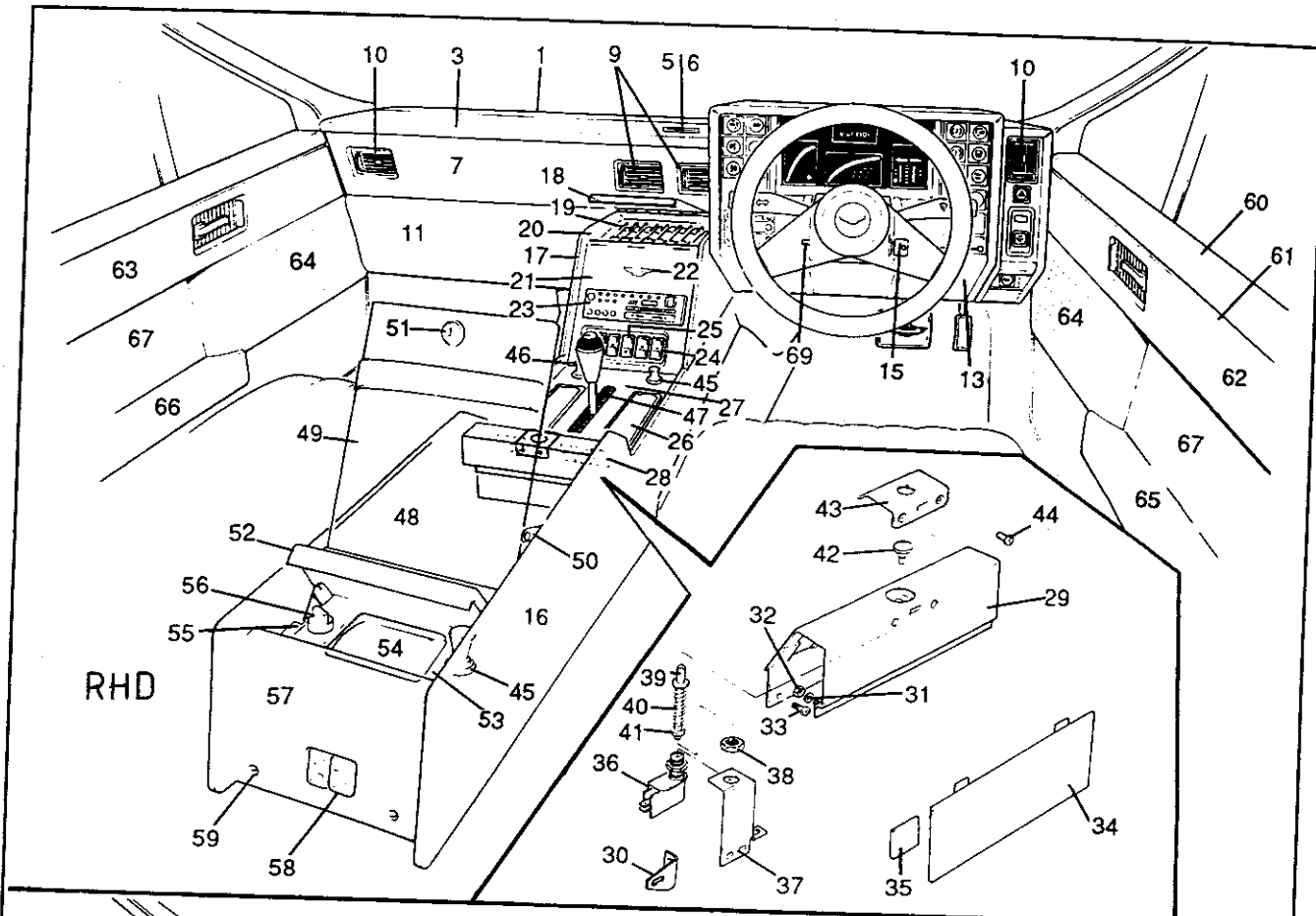
Instruments & Controls  
 Facia & Centre Console  
 Cars from 1986 to 1988



Illus No.	Part Number	Description	Qty	Remarks
47	83.14326	Trim capping, upper	2	
48	83.14324	Trim capping, side	2	
49	87.18372	Wood trim, RH	1	
50	87.18373	Wood trim, LH	1	
-	80.12573	Mounting bracket, wood trim	6	
-	691782	Screw, PK, No.6 x 3/8 in.	12	See section 6.3B
51		Speaker, front	2	
52	83.18806	Armrest, RH	1	
53	83.18807	Armrest, LH	1	
54	83.18572	Trimboard, door recess	2	
-	83.13326	Trimboard hook	4	
-	069.099.0009	Trimboard clip	4	
55	80.18607	Finisher, driver's footwell	1	LHD
-	653.000.0606	Screw, No.6 x 3/4 in.	2	See section 4.3C
56	-	Tilt lever, steering column	1	

# ELECTRICS

Instruments & Controls  
Facia & Centre Console  
Cars from 1988





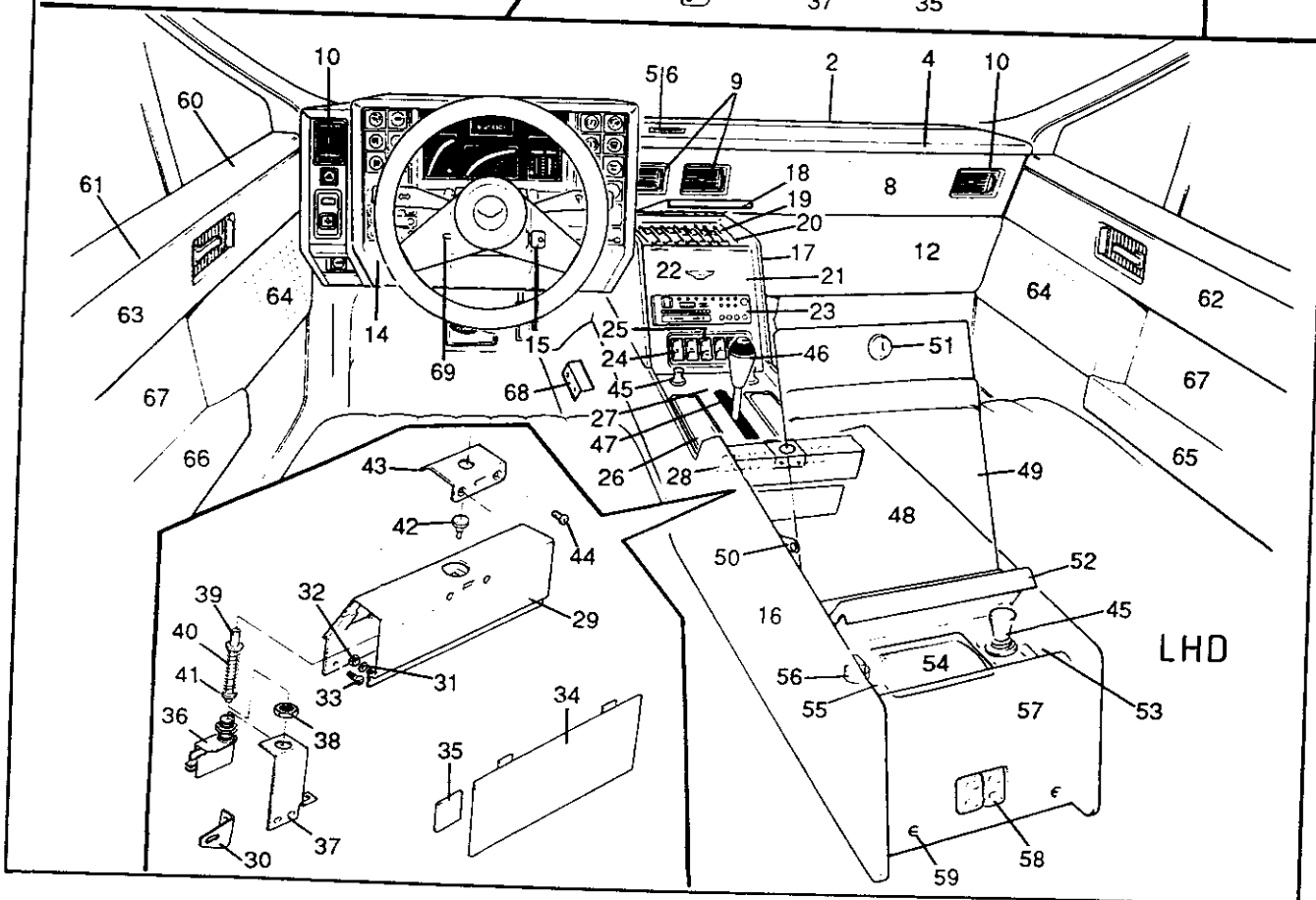
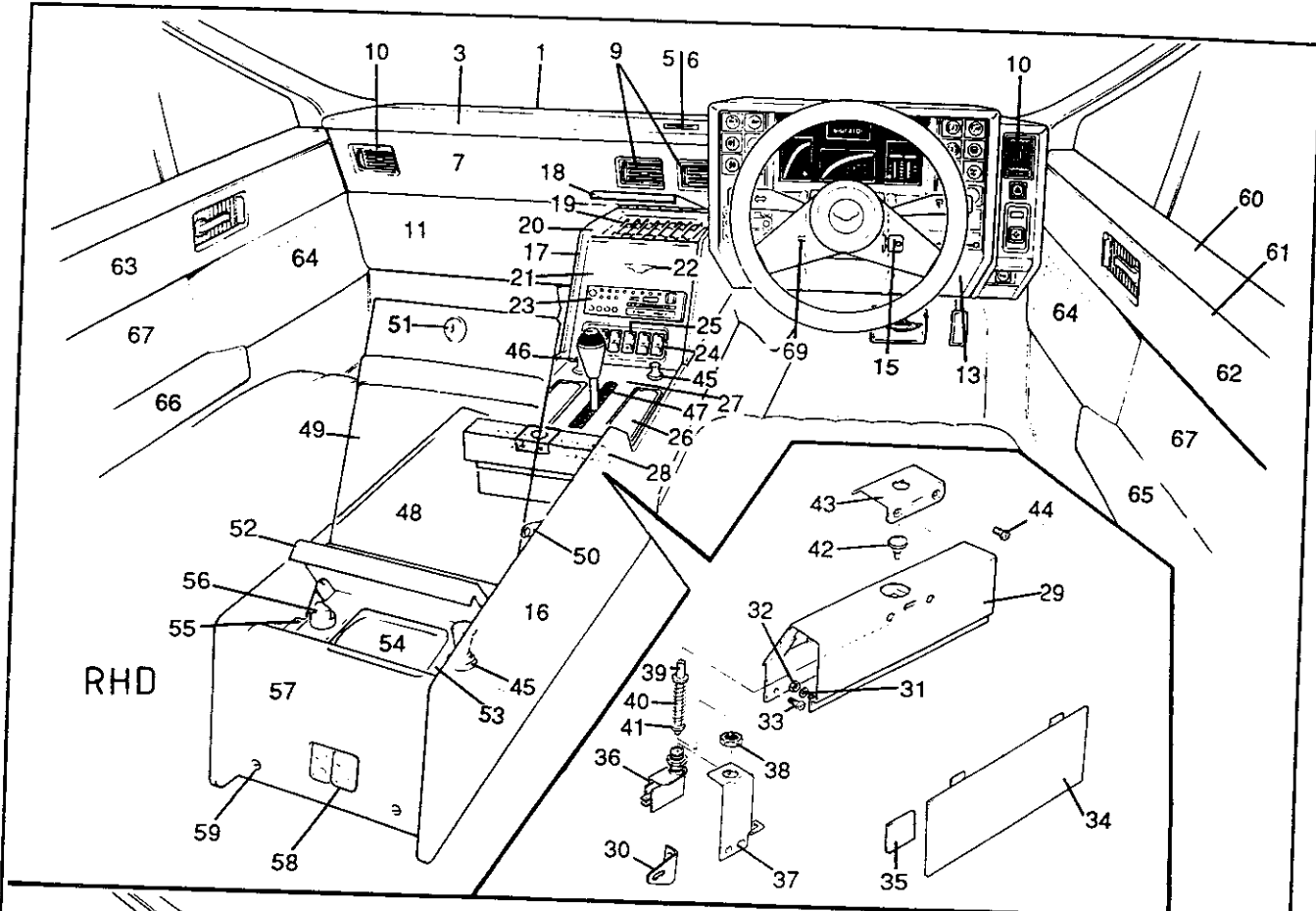
**ELECTRICS**

**Instruments & Controls  
Facia & Centre Console  
Cars from 1988**

Illus No.	Part Number	Description	Qty	Remarks
			1	RHD (69.22099)
1	69.22147	Dash trim pad, front, LH	1	RHD
-	69.22100	Dash trim pad, front, RH	1	LHD (69.22100)
2	69.22146	Dash trim pad, front, RH	1	LHD
-	69.22099	Dash trim pad, front, LH	1	
-	69.20735	Dash trim pad, centre	2	
-	69.20793	Spacer	as reqd	
-	693124	Fixing pad	1	RHD
3	69.22114	Dash top crash roll pad	1	LHD
4	69.22115	Dash top crash roll pad	1	
-	69.21995	Pad foam edge	1	} Not fitted from approx. chassis no. 13558. June 1988
5	69.17014	Dash top vent	1	
6	69.19354	Vent grid	2	
-	69.22196	Support bracket, dash top panel	4	} Support bracket fixings
-	692090	Screw, M5 x 12	4	
-	692045	Washer, spring, M5	1	RHD
7	69.21978	Wood trim, passenger's side	1	LHD
8	69.21977	Wood trim, passenger's side	1	
-	69.21976	Trim mounting bracket	6	
-	691782	Screw, PK, No. 6 x 3/8 in.	1	
-	69.22445	Finisher, wood trim to centre console	2	} Finisher to lower plenum cover
-	692126	Screw, M4 x 8	2	
-	692064	Washer, spring, M4	1	RHD
-	69.21982	Wood trim, rear plate	1	LHD
-	69.21983	Wood trim, rear plate	1	RHD
-	69.21980	Top cover, plenum chamber	1	LHD
-	69.21981	Top cover, plenum chamber	1	
-	69.21984	Lower cover, plenum cover	17	} Plate and cover fixings
-	691782	Screw, PK, No. 6 x 3/8 in.	17	
-	692172	Clip, spire, No. 6	as reqd	
-	691342	Air drying neoprene	2	
9	69.21986	Air outlet, centre	2	
10	69.21987	Air outlet, outer	2	
-	89.22148	Adaptor, air hose to outer air outlet	1	RHD
11	69.22341	Facia trim pad lower	1	LHD
12	69.21952	Facia trim pad lower	3	} Pad fixings
-	692210	Screw, M4 x 12	3	
-	692054	Washer, plain, M4	1	
13	69.21617	Binnacle finisher plate, RH	1	
14	69.21657	Binnacle finisher plate, LH	1	See section 4.3C
15	-	Steering lock and ignition switch	1	
16	80.22174	Centre console wood frame	1	
-	87.21767	Wooden base, glove box	1	
-	80.22177	Mounting bracket, front	4	} Mounting bracket to centre console
-	692452	Screw, M5 x 16, countersunk head	2	
-	692090	Screw, M5 x 12	2	
-	692045	Washer, spring, M5	2	
17	80.22360	Side panel, centre console	2	
-	80.22107	Support plate, side panels	4	
-	691782	Screw, PK, No. 6 x 3/8 in.	1	
18	80.22332	Fuse box lid	4	Fuse box lid to centre console
-	112192	Screw, No. 6 x 3/8 in., countersunk head		

# ELECTRICS

Instruments & Controls  
Facia & Centre Console  
Cars from 1988







**ELECTRICS**

**Instruments & Controls  
Facia & Centre Console  
Cars from 1988**

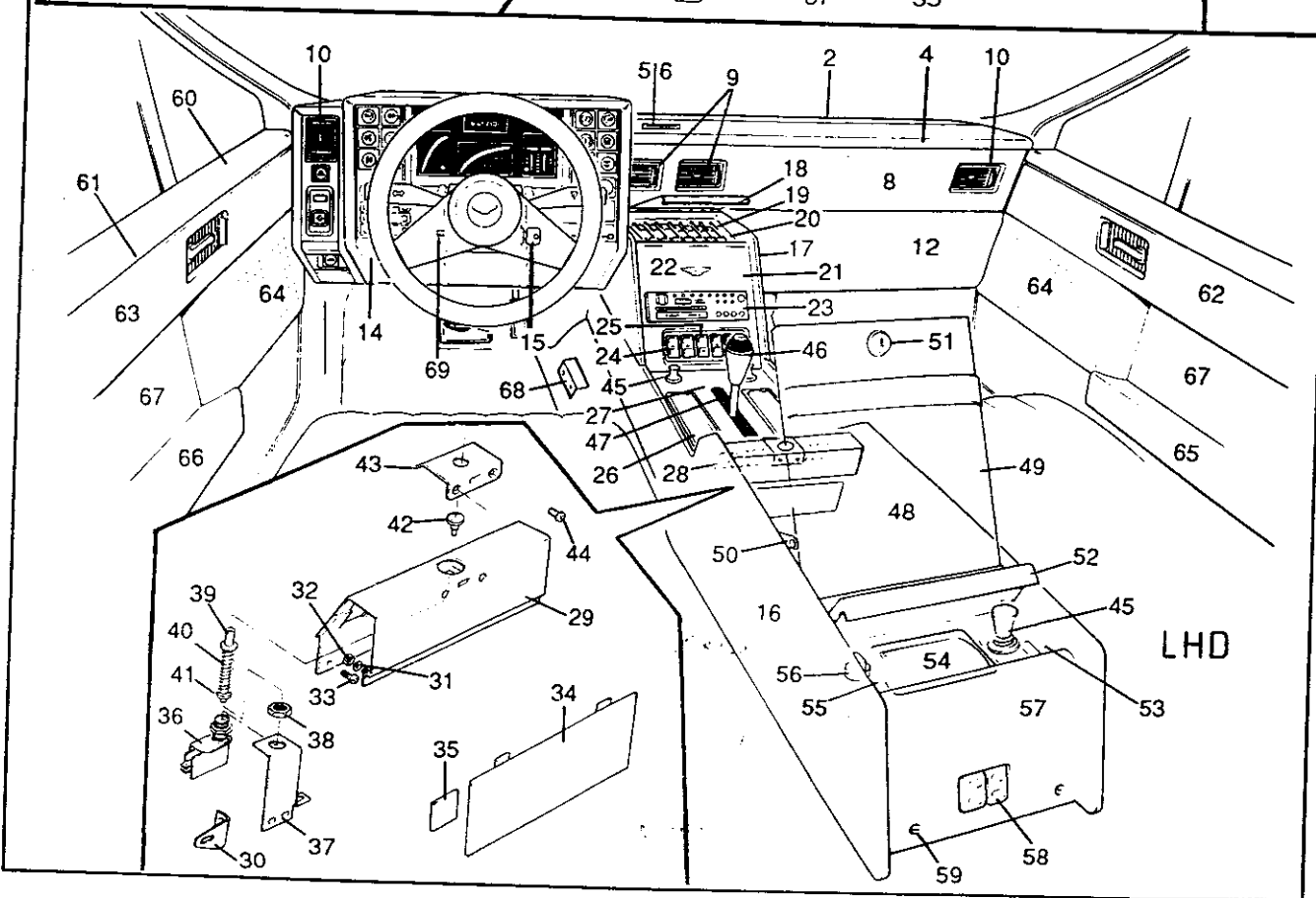
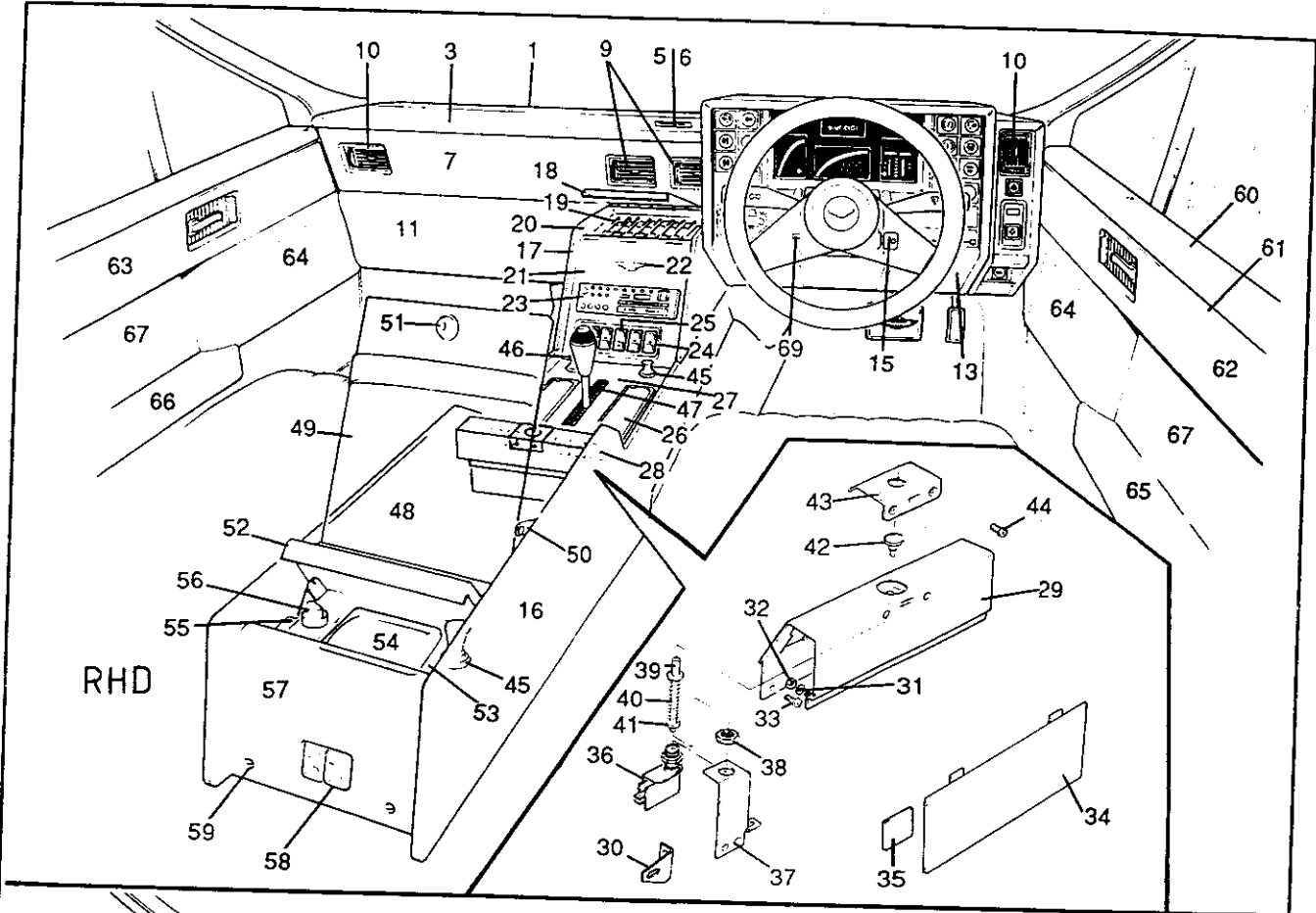
Illus No.	Part Number	Description	Qty	Remarks
19	37.23417	Fuse box, without fuses	1	Fuses in section 6.3A.2
-	97.25476	Fuse box label	1	
20	69.23640	Cover plate, fuse box	1	} Bracket to lower plenum cover } Fuse box } to bracket
-	69.23638	Fuse box mounting bracket	1	
-	692090	Screw, M5 x 12	2	
-	692045	Washer, spring, M5	2	
-	692126	Screw, M4 x 8	2	
-	692054	Washer, plain, M4	2	
21	80.23031	Wood trim, stereo surround	1	} Support brackets to centre console side panels and wood trim to support brackets
-	80.23179	Wood trim support bracket, LH	1	
-	80.23178	Wood trim support bracket, RH	1	
-	691782	Screw, PK, No. 6 x 3/8 in.	10	
-	692126	Screw, M4 x 8	2	
-	692055	Washer, plain, M5	2	
-	692800	Nut, Nyloc, M5	2	
-	80.23183	Wood trim support bracket, top	1	
-	691782	Screw, PK, No. 6 x 3/8 in.	2	
-	80.23185	Wood trim support bracket, top	1	
-	692054	Washer, plain, M4	2	} Support bracket to side brackets
-	692314	Nut, M4	2	
-	80.22339	Retaining plate, centre console, LH	1	} Retaining plates to side panels
-	80.22340	Retaining plate, centre console, RH	1	
-	691782	Screw, PK, No. 6 x 3/8 in.	6	
-	80.25861	Support bracket, radio	1	
-	692126	Screw, M4 x 8	2	} Support bracket to retaining plates
-	692044	Washer, spring, M4	2	
-	692054	Washer, plain, M4	2	
22	68.22227	Lagonda badge	1	} 37.26610 from 1990 Swiss and W. German cars USA cars from 1987
-	693354	Fixer, starlock	2	
23	37.19402	Radio/cassette player	1	} Mounting bracket to radio support bracket } Amplifier } to bracket Window lift Window lift override Mounting plate attach } Ashtrays } to brackets Bracket to console
-	37.20770	Radio/cassette player	1	
-	37.25413	Radio/cassette player	1	
-	37.19623	Fixing bracket	1	
-	80.23182	Radio panel mounting plate	1	
-	692126	Screw, M4 x 8	4	
-	80.23197	Retaining plates, radio panel plate	2	
-	691782	Screw, PK, No. 6 x 3/8 in.	4	
-	37.19403	Amplifier	1	
-	80.25903	Mounting bracket, amplifier	1	
-	692054	Washer, plain, M4	2	
-	692126	Screw, M4 x 8	2	
-	692054	Washer, plain, M4	2	
-	692314	Nut, Nyloc, M4	2	
24	37.22481	Switch, rocker	4	
25	37.22482	Switch, rocker, centre	1	
-	80.23196	Mounting plate, window lift switches	1	
-	692126	Screw, M4 x 8	2	
26	80.17551	Ashtray, front, small	2	
-	80.22440	Mounting bracket, ashtray	2	
-	114179	Screw, No.6 x 3/4 in.	4	
-	692172	Clip, spire, No. 6	4	
-	692452	Screw, M5 x 16, countersunk head	4	

Note: Some cars are fitted with non-standard equipment.

# ELECTRICS



Instruments & Controls  
Facia & Centre Console  
Cars from 1988





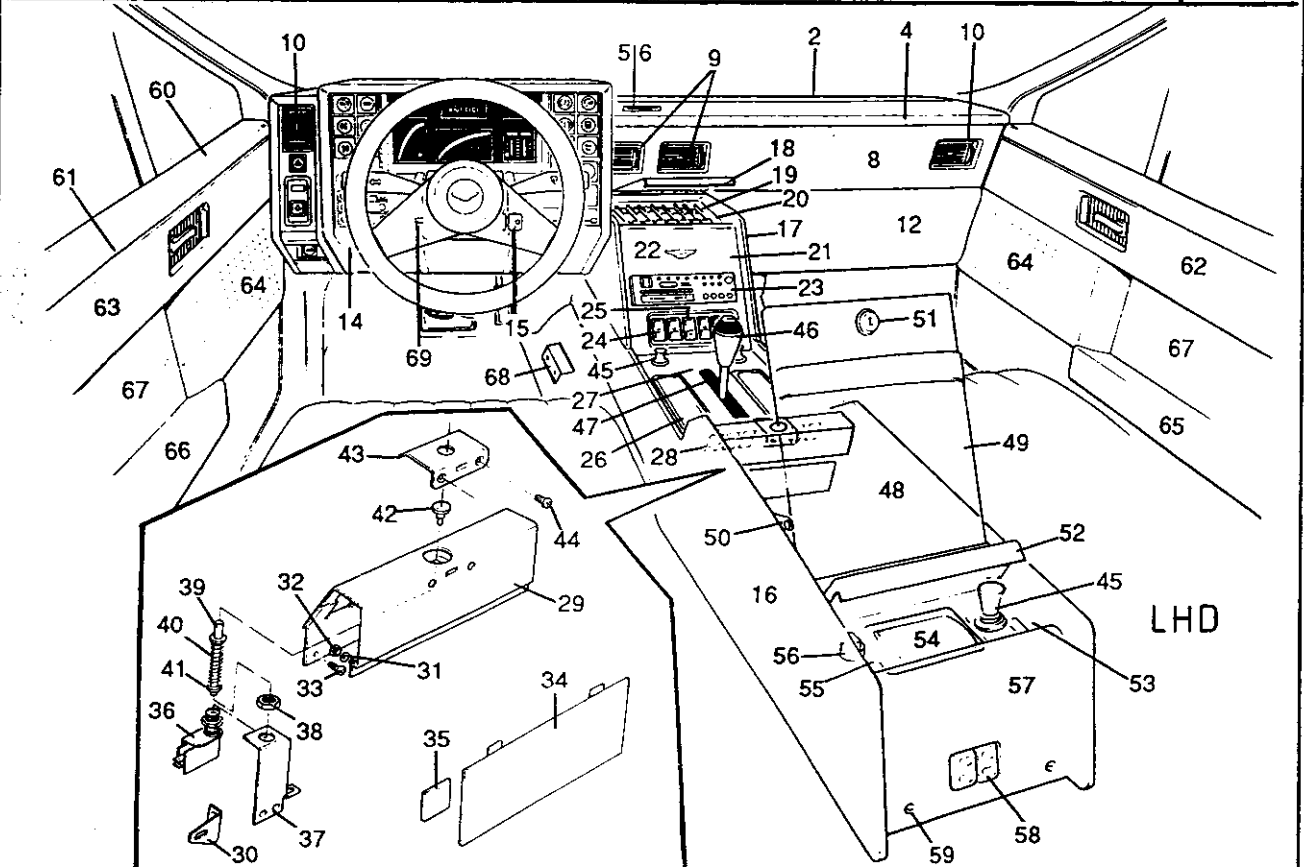
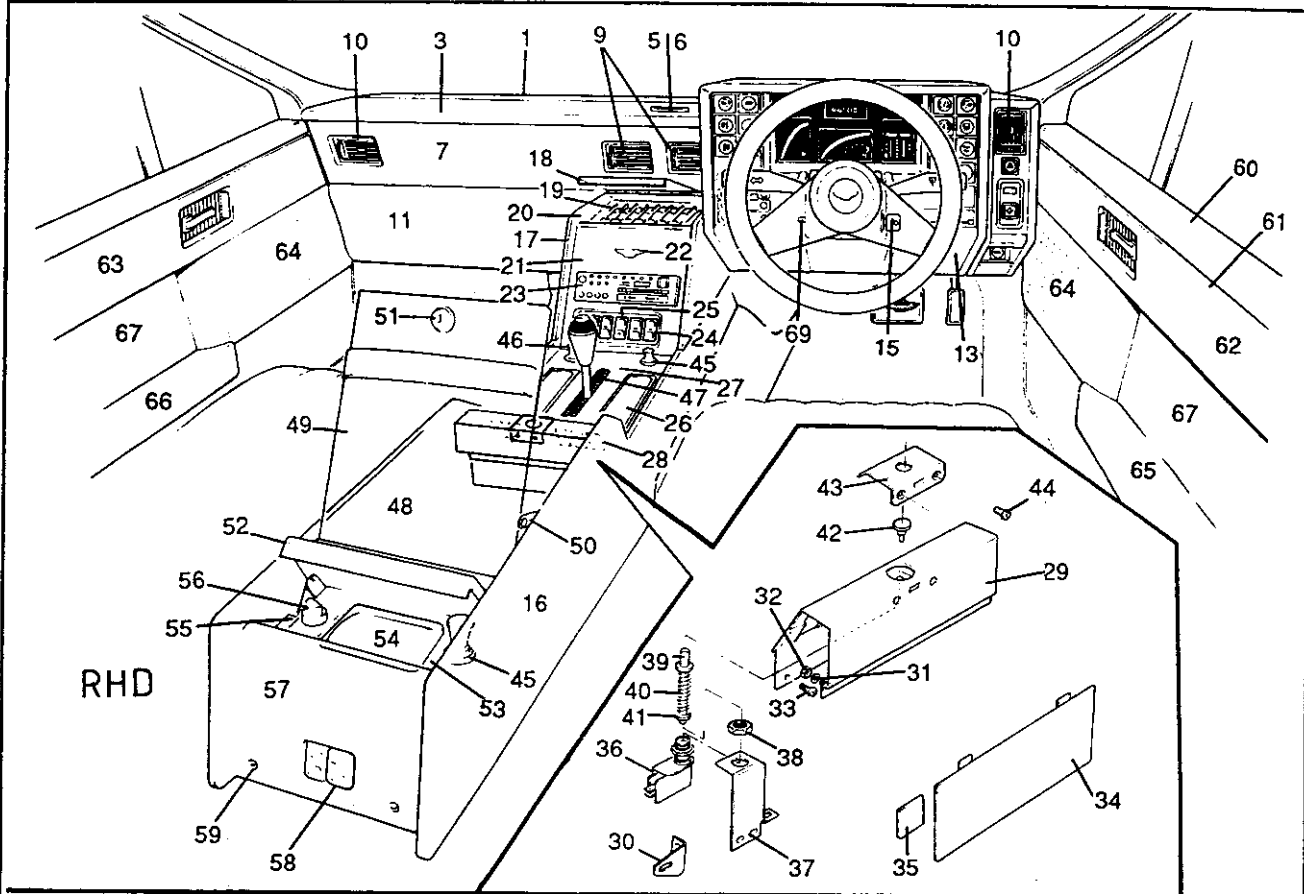
## ELECTRICS

Instruments & Controls  
Facia & Centre Console  
Cars from 1988

Illus No.	Part Number	Description	Qty	Remarks
27	80.23170	Gear lever panel	1	
-	80.22184	Mounting bracket, rear, centre console	1	
-	692452	Screw, M5 x 16, countersunk head	4	Bracket to console
28	37.18388	Switch, rocker	6	Seat controls
29	80.23192	Mounting bracket, switches	1	
30	80.23190	Angle bracket	2	
-	692517	Screw, M4 x 16	4	Brackets to centre console
31	692064	Washer, shakeproof, M4	2	} Switch mounting bracket to centre console
32	692074	Nut, M4	2	
33	692126	Screw, M4 x 8	2	
34	80.23175	Cover plate, seat switches	1	
35	693124	Fixing pad	as reqd	Cover plate to centre console
36	37.15369	Switch, boot lock	1	
37	80.23195	Switch bracket	1	
-	691782	Screw, PK, No. 6 x 3/8 in.	3	Bracket to centre console
38	692817	Locknut, switch	1	
39	80.23189	Extension stalk	1	
40	693468	Spring	1	
41	119496	Washer, plain, 3/16 in.	2	
42	37.21488	Switch button, round, engraved 'Boot'	1	
43	80.23194	Finisher, cubby box catch	1	
44	693470	Screw, chrome, M4 x 10	2	
45	37.20992	Pop out unit, with chrome knob, cigar lighter	3	
-	020.037.0746	Element, cigar lighter	3	
-	37.22254	Body and light unit, cigar lighter	3	
-	048.037.0841	Bulb, 12V 2.2 W	3	
46	-	Gear lever assembly, RHD/LHD	1	Straight lever. See section 3.3
47	42.22338	Sealing brush, RH and LH	2	
-	692054	Washer, plain, M4	6	} Sealing brushes to gearlever panel
-	692314	Nut, M4	6	
48	80.23198	Glove box lid assembly	1	Trimmed
49	80.23169	Lid, metal, upper	1	
-	80.23302	Lid, wood, lower	1	
-	692443	Pivot bush	2	
-	80.13815	Lid pivot, RH	1	
-	80.13816	Lid pivot, LH	1	
-	691782	Screw, PK, No.6 x 3/8 in.	4	Pivots to console
-	80.13983	Plate, pivot mounting	1	
-	540.000.0603	Screw, PK, No.6 x 3/8 in.	2	Plate to console
-	692064	Washer, shakeproof, M4	4	} Pivots to mounting plate
-	692074	Nut, M4	4	
50	095.069.0131	Lid stay	2	
-	691782	Screw, PK, No.6 x 3/8 in.	4	Stays to console
-	692054	Washer, plain, M4	4	} Stays to lid
-	692314	Nut, M4	4	
51	080.099.0004	Lid lock and keys	1	
52	80.13831	Lid, rear ashtray	1	

# ELECTRICS

Instruments & Controls  
Facia & Centre Console  
Cars from 1988



**ELECTRICS**

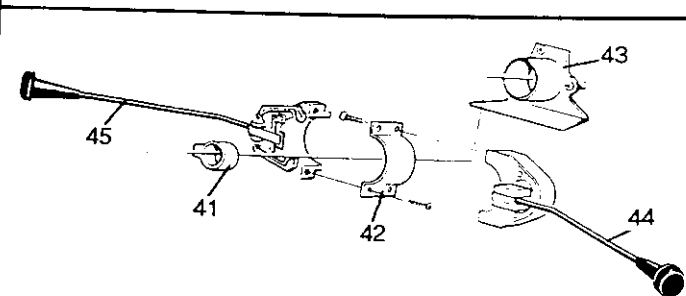
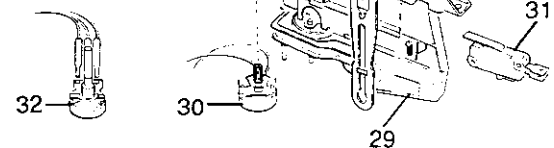
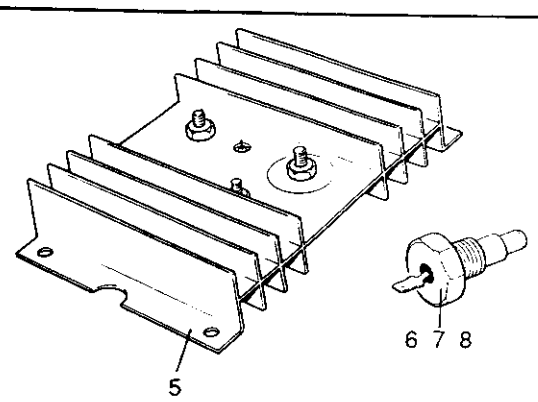
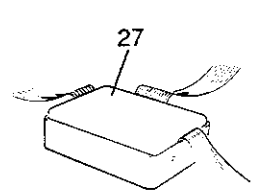
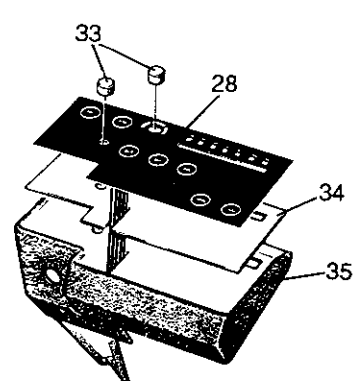
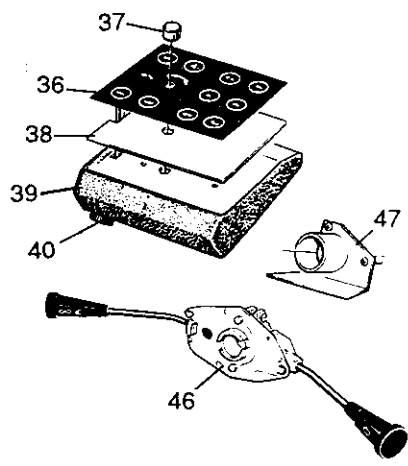
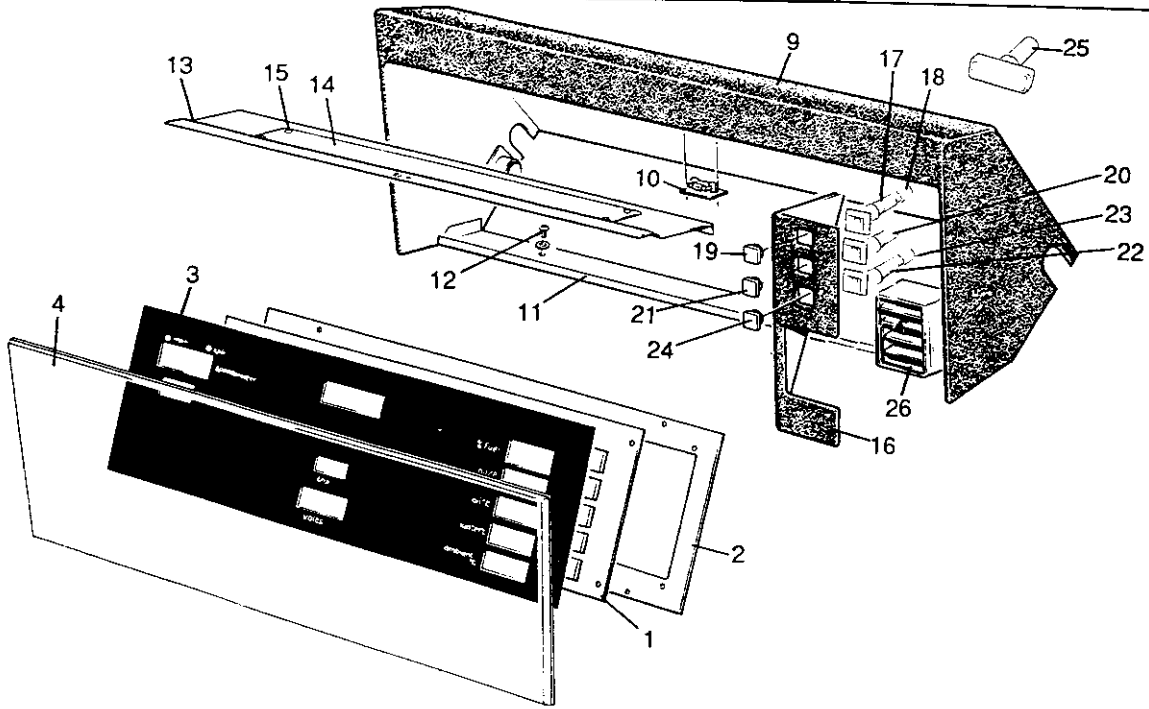
**Instruments & Controls  
Facia & Centre Console  
Cars from 1988**



Illus No.	Part Number	Description	Qty	Remarks
53	80.23163	Platform, rear ashtray	1	Platform to console
-	691782	Screw, PK, No.6 x 3/8 in.	4	
-	80.13820	Link, angled	2	
-	80.13819	Link, straight	2	
-	692054	Washer, plain, M4	2	
-	112113	Rivet, 5/32 in. x 5/16 in.	6	
-	692210	Screw, M4 x 12	2	
-	692314	Nut, M4	2	
54	032.025.0021	Ashtray, rear	1	
-	114179	Screw, No. 6 x 3/4 in.	2	
-	80.17165	Bracket, ashtray fixing	1	
55	80.17192	Bezel, 3 speed blower	1	
56	89.18115	Blower switch knob	1	
-	89.18114	Switch, 3 speed blower	1	
57	80.22194	Finisher plate	2	Window lift
58	37.22481	Switch, rocker	1	
-	80.22123	Mounting plate, switches	4	} Mounting plate to finisher plate
-	692054	Washer, plain, M4	4	
-	692314	Nut, M4	4	
59	691782	Screw, PK, No. 6 x 3/8 in.	2	
60	83.14326	Trim capping, upper	2	
61	83.14324	Trim capping, side	2	
62	87.18372	Wood trim, RH	1	
63	87.18373	Wood trim, LH	1	
-	80.12573	Mounting bracket, wood trim	6	
-	691782	Screw, PK, No.6 x 3/8 in.	12	
64	-	Speaker, front	2	See section 6.3B
65	83.18806	Armrest, RH	1	
66	83.18807	Armrest, LH	1	
67	83.18572	Trimboard, door recess	2	
-	83.13326	Trimboard hook	4	
-	069.099.0009	Trimboard clip	4	
68	80.18607	Finisher, driver's footwell	1	LHD
-	653.000.0606	Screw, No.6 x 3/4 in.	2	See section 4.3C
69	-	Tilt lever, steering column	1	

# ELECTRICS

Instruments & Controls  
RHD - Instrument Panel  
Cars to 1985



Early Cars

**ELECTRICS**

**Instruments & Controls  
RHD - Instrument Panel  
Cars to 1985**

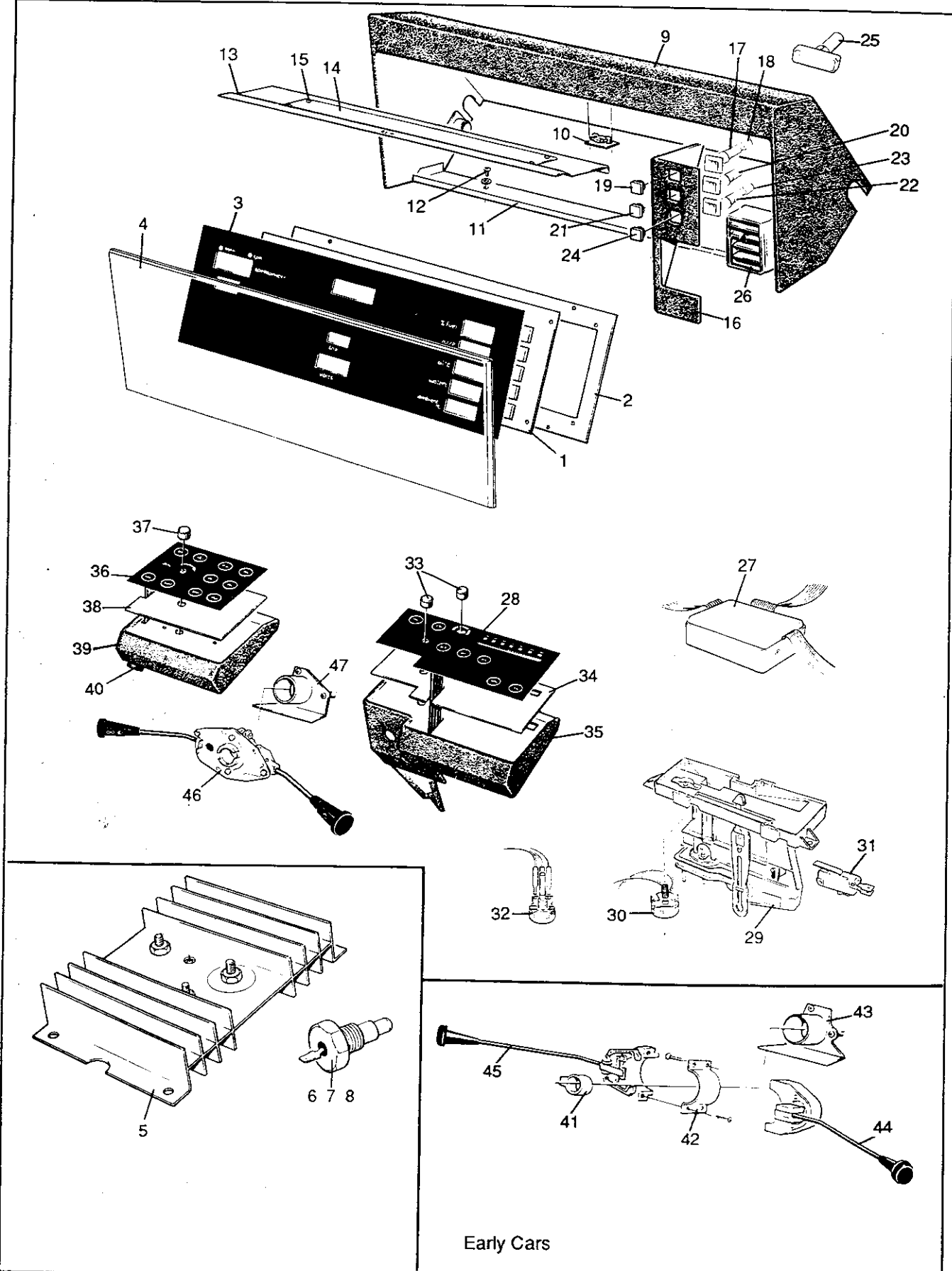


Illus No.	Part Number	Description	Qty	Remarks
1	38.14043	Main instrument P.C.B. assembly	1	Pre-dominant MPH
-	38.17356	Main instrument P.C.B. assembly	1	Pre-dominant KPH
-	38.17683	C.Mos I.C.Octal counter/divider	2	Converts odometer reading from miles to kilometers
-	38.19613	Main instrument P.C.B. assembly	1	Pre-dominant MPH
-	38.17684	C.Mos. I.C. Decade counter/divider	2	Converts odometer reading from kilometres to miles
-	38.15694	Main instrument P.C.B. assembly	1	Pre-dominant KPH
-	38.14046	Terminal	74	} Qty. 25 } From } Qty. 1 } chassis no. } Qty. 2 } 13335, plus 13323
-	38.14047	Plug, 26 way	2	
-	38.16266	Plastic locking pin	4	
-	38.17196	Terminal	27	
-	38.17197	Plug, 12 way	1	} From } chassis no. } 13335, plus 13323
-	38.17198	Plug, 15 way	1	
-	37.13336	Casing, warning lamp	26	
-	691765	Bulb, 12V 2W, warning lamp	26	
2	38.13990	Instrument mounting panel	1	
-	112166	Screw, 4BA x 3/4 in.	6	} Mounting panel to } instrument board
-	692471	Spacer	6	
-	110854	Washer, plain, 4BA	6	
-	115521	Nut, Nyloc, 4BA	6	
3	38.14031	Instrument display board	1	To mid 1982
-	38.17844	Instrument display board	1	With symbols from mid 1982
-	38.17846	Instrument display board	1	With symbols. From chassis no. 13335/13323
-	38.17845	Instrument display board	1	} Japanese cars- } 'Unleaded fuel'
-	38.17847	Instrument display board	1	
-	692368	Screw, No 4 x 3/4 in.	4	Display board to panel
4	69.13998	Instrument acrylic face	1	
-	69.13977	Face retainer, lower	1	
-	69.12347	Retaining frame, display area	1	Frame and upper finisher attachment
-	692517	Screw, M4 x 16	3	
-	69.16152	Finisher strip, facia display area	1	
5	38.14041	Instrument power regulator	1	Under facia
-	38.17650	Capacitor, blue, power regulator	1	Interference supression. Up to chassis no. 13332
6	-	Oil and water temperature senders	2	See section 1.1
7	38.14259	Internal and external temperature senders	2	Matched pair
8	38.14040	External low temperature sender	1	
-	692071	Washer, shakeproof, M16	5	
-	022.033.0202	Washer, copper	5	
-	38.14260	Bracket, internal temperature sender	1	Bracket attach Fixed to chassis
-	691782	Screw, PK, No. 6 x 3/8 in.	2	
-	19.16971	Bracket, flat, external temperature sender	1	
9	69.12392	Cover, display area	1	
-	581.000.0235	Pop rivet, 1/8 in. x 0.24 in.	12	
10	37.11069	Facia illumination lamp	4	Lamp attachment
-	38.14224	Bulb, festoon	4	
-	581.000.0235	Pop rivet, 1/8 in. x 0.24 in.	4	
-	69.13615	Display cover bracket	1	
11	691782	Screw, PK, No. 6 x 3/8 in.	4	

# ELECTRICS



Instruments & Controls  
RHD - Instrument Panel  
Cars to 1985



Early Cars



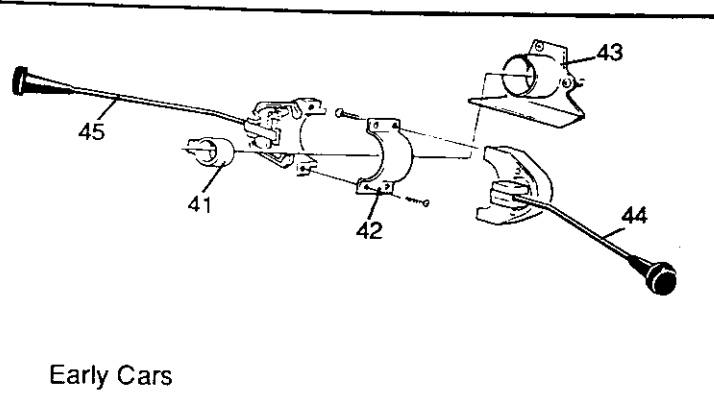
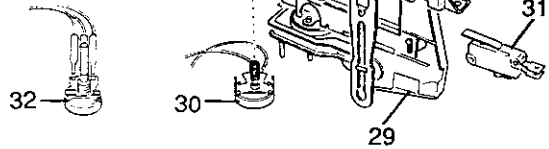
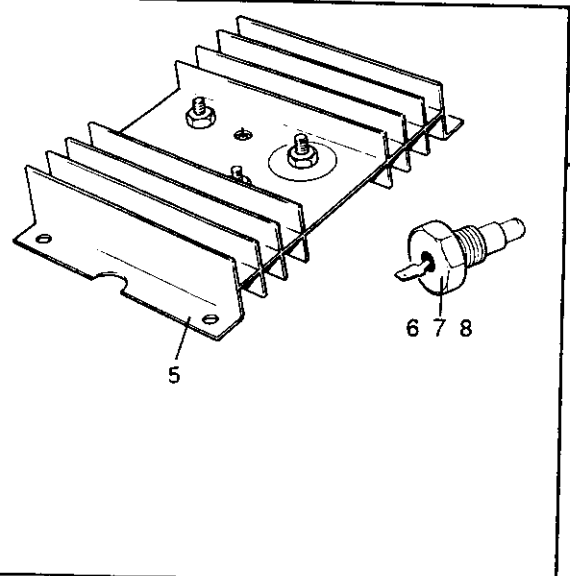
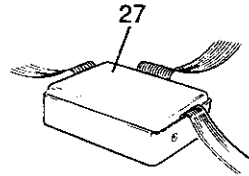
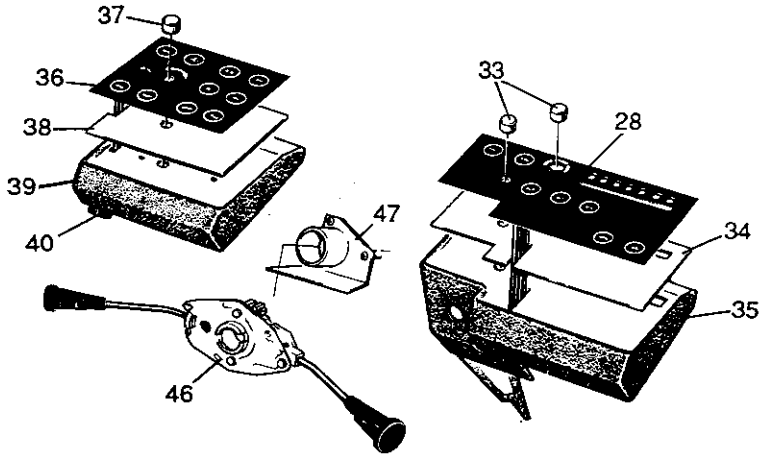
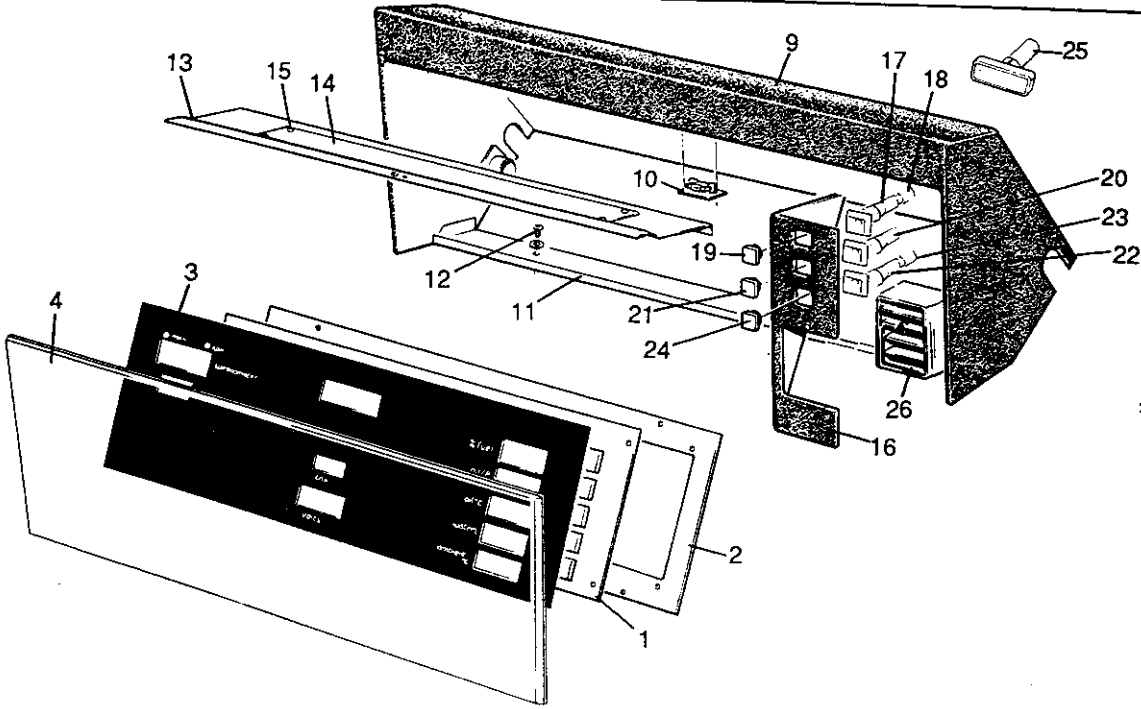
## ELECTRICS

Instruments & Controls  
RHD - Instrument Panel  
Cars to 1985

Illus No.	Part Number	Description	Qty	Remarks
12	692090	Bolt, M5 x 12	2	
13	69.13976	Finisher, upper display area	1	
14	69.14032	Defuser film	as reqd	
-	692398	'Plastazote' sheet	as reqd	
15	692451	Stud, self clinching, M4	5	
-	692054	Washer, plain, M4	5	
-	692314	Nut, Nyloc, M4	5	
16	69.13972	Finisher, facia air vent	1	
17	37.12570	Switch	1	
18	37.16857	Switching element	1	From chassis no. 13296. For later flasher unit
		} Hazard warning		
19	37.12571	Lens, red	1	
-	37.15546	Legend	1	
20	37.12570	Switch	1	} Rear fog
21	37.15559	Lens, orange	1	
-	37.15545	Legend	2	} Hazard and rear fog switches
-	37.13485	Switch bulb	1	
22	37.12570	Switch	1	
23	37.16857	Switching element	1	} Maximum air-conditioning switch (when fitted)
24	37.17073	Lens, blue	1	
-	37.17075	Legend	1	
-	37.13485	Switch bulb	1	
-	37.17068	Switch harness. Up to 1983	1	} Australian cars - fitted above hazard
25	37.17533	Warning lamp, parking brake, red	1	} warning switch
-	37.17620	Bulb holder and leads	1	Modify to suit car
-	691765	Bulb, 12V, 2W	1	
26	89.11942	Air outlet	1	
-	69.13611	Bracket, air outlet mounting, upper	1	
-	020.037.0182	Grommet	1	
-	69.13613	Bracket, air outlet mounting, lower	1	
-	581.000.0235	Pop rivet, 1/8 in. x 0.24 in.	9	Bracket attachment
-	691782	Screw, PK, No. 6 x 3/8 in.	2	Air outlet to brackets
27	38.14042	Binnacle interface	1	
-	37.14253	Buzzer	2	
-	692797	Resister, 1K/1W	1	To stop KPH to MPH buzzing
28	38.14033	Touch switch panel, RH	1	Singular switches up to mid 1983. All words.
-	38.19409	Touch switch panel, RH - Mixture of words and symbols	1	Grouped switches from mid 1983.
-	692710	Lead end clincher plug, 15 way, blue	1	
-	692712	Plug, white	as reqd	
-	692711	Right angle connector, 36 way	1	Modify to suit car
29	89.11383	Control head, air conditioning	1	Shaft reduced by 5mm from 1983
30	89.12519	Heat control switch	1	
-	89.13578	Microswitch mounting bracket	1	
31	095.038.0107	Microswitch	1	
-	691160	Screw, 6BA x 3/4 in.	2	
-	691349	Washer, plain, 6BA	4	
-	691347	Nut, 6BA	2	
32	38.14045	Dimmer switch, instrument panel	1	Shaft reduced by 9mm from 1983
-	38.17313	Dimmer switch, instrument panel	1	From chassis no. 13335/13323 Reduce shaft by 9mm

# ELECTRICS

Instruments & Controls  
RHD - Instrument Panel  
Cars to 1985



Early Cars



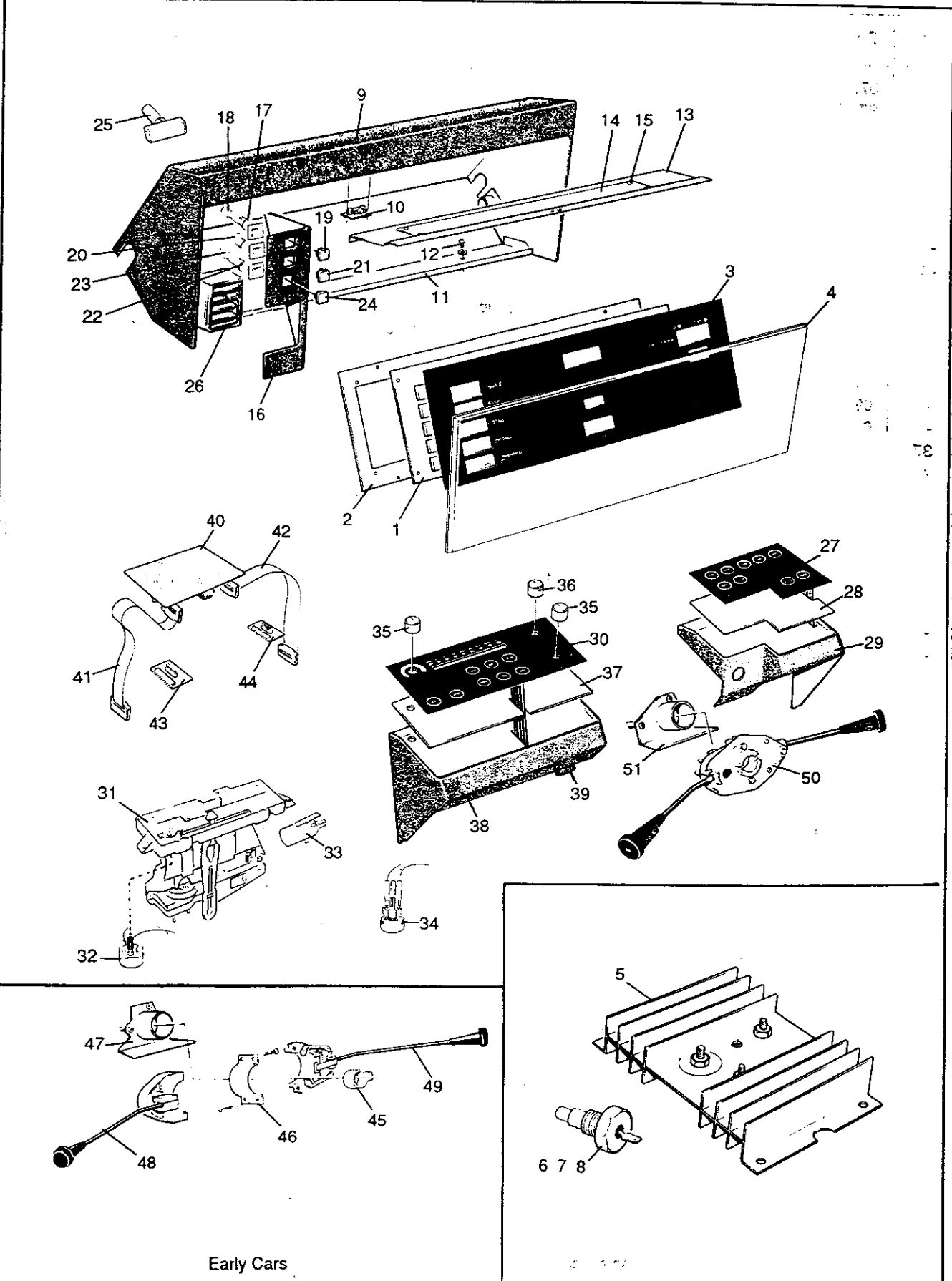
**ELECTRICS**

**Instruments & Controls  
RHD - Instrument Panel  
Cars to 1985**

Illus No.	Part Number	Description	Qty	Remarks
33	37.14229	Knob, round, silver, 8mm spindle	2	} Dimmer and heat control switches
-	37.18379	Knob, round, black, 6.5mm spindle	2	
-	692765	Grubscrew, 6BA x 6mm	2	
34	69.13960	Plate, binnacle, RH	1	} Binnacle to 'A' post Binnacle plate to binnacle
35	69.13952	Binnacle assembly, RH	1	
-	69.17292	Filler plate	1	
-	692064	Washer, shakeproof, M4	2	
-	692314	Nut, Nyloc, M4	2	
36	38.14034	Touch switch panel, LH	1	Singular switches up to mid 1983. All words.
-	38.17848	Touch switch panel, LH.	1	From mid 1983
-	38.19408	Touch switch panel, LH	1	From chassis no. 13330
-	692710	Lead end clincher plug, 15 way, blue	1	} Grouped switches. Mixture of words and symbols.
-	692712	Plug, white	as reqd	
-	692711	Right angle connector, 36 way	1	
-	692711	Right angle connector, 36 way	1	
37	37.14230	Knob, round, silver, 4mm spindle	1	} From } Wiper delay 1983 }
-	37.18380	Knob, round, black, 4.25mm spindle	1	
-	692765	Grubscrew, 6BA x 6mm	1	
-	37.11488	Switch kit, wash/wipe delay	1	Modify to suit car
38	69.13957	Plate, binnacle, LH	1	} Binnacle plate to binnacle Binnacles and steering column
39	69.13930	Binnacle assembly, LH	1	
-	692064	Washer, shakeproof, M4	2	
-	692314	Nut, Nyloc, M4	2	
-	69.14577	Finisher plate	1	
-	692055	Washer, plain, M5	3	
-	692406	Screw, M5 x 12	3	
40	069.037.0158	Panel lamp dimmer switch	1	
-	069.037.0115	Nut	1	
-	095.037.0150	Washer, crinkle	1	
-	095.037.0160	Knob, dimmer switch	1	} From approx. Chassis No 13064. Fitted below LH binnacle.
-	691441	Grubscrew, 4BA x 1/4 in.	1	
-	37.16391	Switch cable	1	
-	69.15838	Knob depression, for finisher binnacle plate	1	
-	83.12280	Cowl, switches	1	
41	25.12313	Indicator cancelling block	1	
-	691019	Grubscrew, 2BA	1	
-	37.12388	Cowl support assembly	1	RHD
42	095.037.0144	Clamp	1	RHD & LHD. Later cars from approx Chassis No. 13072
43	37.12393	Cowl mounting bracket	1	} RHD
-	692330	Screw, M4 x 8, countersunk head	2	
-	691863	Screw, Pan head, No 10 x 24 UNC x 1/2 in.	3	
-	119488	Washer, spring	3	
44	095.037.0103	Switch, screen wash/wipe	1	RHD
45	095.037.0105	Switch, dip/flash/horn/indicators	1	RHD up to approx Chassis No 13071
-	095.037.0106	Switch, dip/flash/horn/indicators	1	LHD & RHD from Chassis No. 13072
-	691862	Screw, pan head, No. 10 x 24 UNC x 1 in.	2	} From chassis 13186
-	691863	Screw, pan head, No. 10 x 24 UNC x 1/2 in.	2	
46	37.15156	Switch, screen wash/wipe/dip/flash/horn/indicators	1	
47	25.17858	Cowl mounting bracket	1	
-	83.18014	Switch cowl	1	
-	691862	Screw, pan head, No. 10 x 24 UNC x 1 in.	2	
-	691863	Screw, pan head, No. 10 x 24 UNC x 1/2 in.	2	

ELECTRICS

Instruments & Controls  
LHD - Instrument Panel  
Cars to 1985



Early Cars



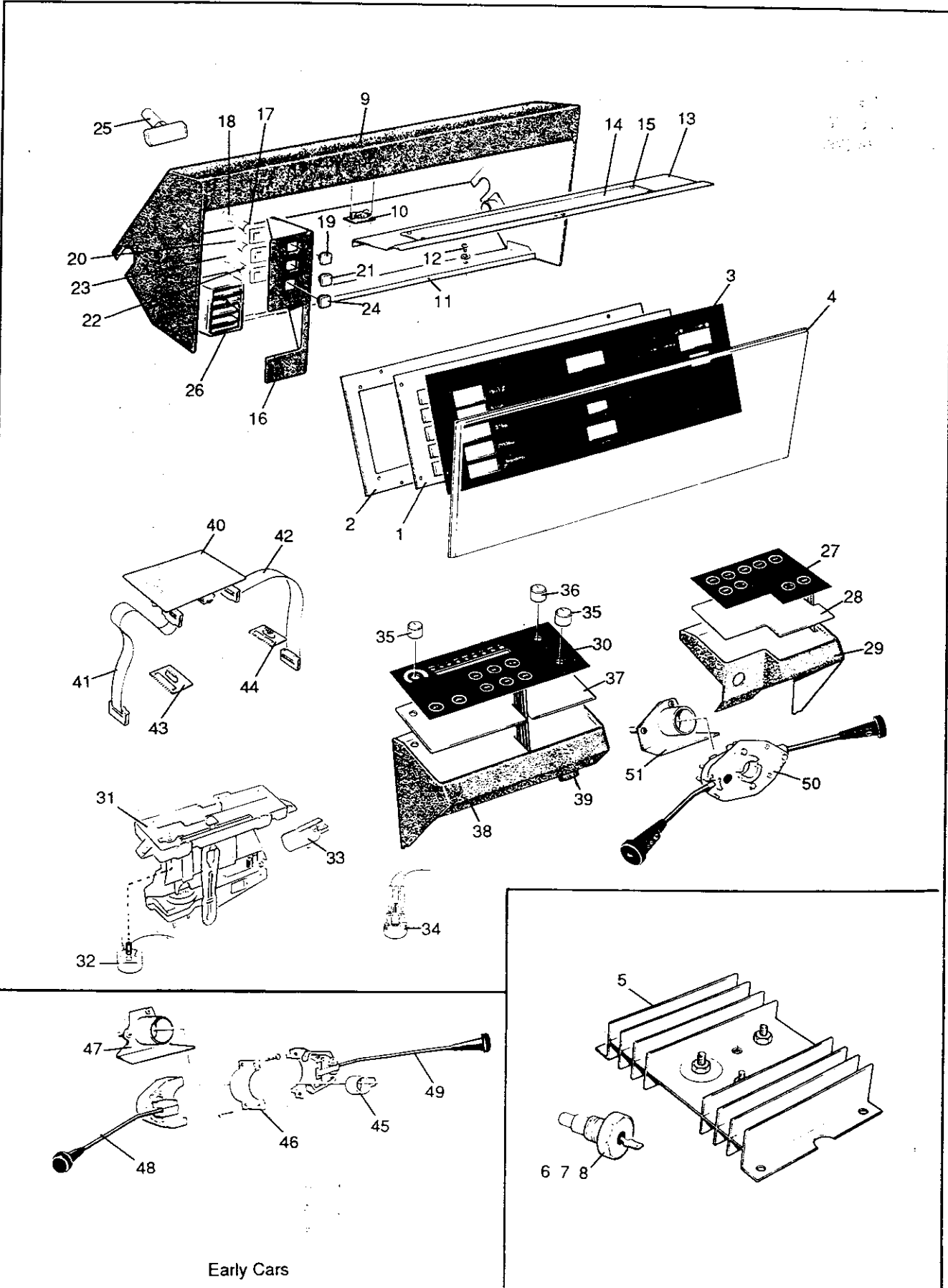
## ELECTRICS

 Instruments & Controls  
 LHD - Instrument Panel  
 Cars to 1985

Illus No.	Part Number	Description	Qty	Remarks
1	38.15694	Main instrument PCB Assembly	1	Predominant KPH
-	38.17819	Main instrument PCB Assembly	1	Predominant MPH (USA)
-	38.17684	C.Mos. I.C. Decade counter/divider	2	Converts odometer from kilometres to miles
-	38.17196	Terminal	54	
-	38.17197	Plug, 12 way	2	
-	38.17198	Plug, 15 way	2	
-	38.16266	Plastic locking pin	4	
-	37.13336	Casing, warning lamp	26	
-	691765	Bulb, warning lamp, 12V 2W	26	
2	38.13990	Instrument mounting panel	1	
-	112166	Screw, 4BA x 3/4 in.	6	} Mounting panel to instrument board
-	692471	Spacer	6	
-	110854	Washer, plain, 4BA	6	
-	115521	Nut, Nyloc, 4BA	6	
-	38.17846	Instrument display board	1	
3	38.17847	Instrument display board	1	USA cars - 'Unleaded fuel'
-	692368	Screw, No. 4 x 3/4 in.	4	Display board to panel
4	69.13998	Instrument acrylic face	1	
-	69.13977	Face retainer, lower	1	
-	69.12347	Retaining frame, display area	1	
-	692517	Screw, M4 x 16	3	Frame and upper finisher attachment
-	69.16152	Finisher strip, facia display area	1	
5	38.14041	Instrument power regulator	1	Under facia
-	38.17650	Capacitor, blue, power regulator	1	Interference supression. Up to chassis no. 13334
6	-	Oil and water temperature senders	2	See section 1.1
7	38.14259	Internal and external temperature senders	2	Matched pair
8	38.14040	External low temperature sender	1	
-	692071	Washer, shakeproof, M16	5	
-	022.033.0202	Washer, copper	5	
-	38.16876	Bracket, internal temperature sender	1	
-	691782	Screw, PK, No. 6 x 3/8 in.	2	Bracket attach
-	19.16971	Bracket, external temperature sender, flat	1	Fixed to chassis
-	38.17838	Bracket, external temperature sender	1	USA cars. Fitted to under valance
9	69.15735	Cover, display area	1	
-	581.000.0235	Pop rivet, 1/8 in. x 0.24 in.	12	
10	37.11069	Facia illumination lamp	4	
-	38.14224	Bulb, festoon	4	
-	581.000.0235	Pop rivet, 1/8 in. x 0.24 in.	8	Lamp attachment
11	69.13615	Display cover bracket	1	
-	691782	Screw, PK, No. 6 x 3/8 in.	4	
12	692090	Bolt, M5 x 12	2	
13	69.13976	Finisher, upper display area	1	
14	69.14032	Defuser film	as reqd	
-	692398	'Plastazote' sheet	as reqd	
15	692451	Stud, self clinching M4	5	
-	692054	Washer, plain, M4	5	
-	692314	Nut, Nyloc, M4	5	

ELECTRICS

Instruments & Controls  
LHD - Instrument Panel  
Cars to 1985



Early Cars



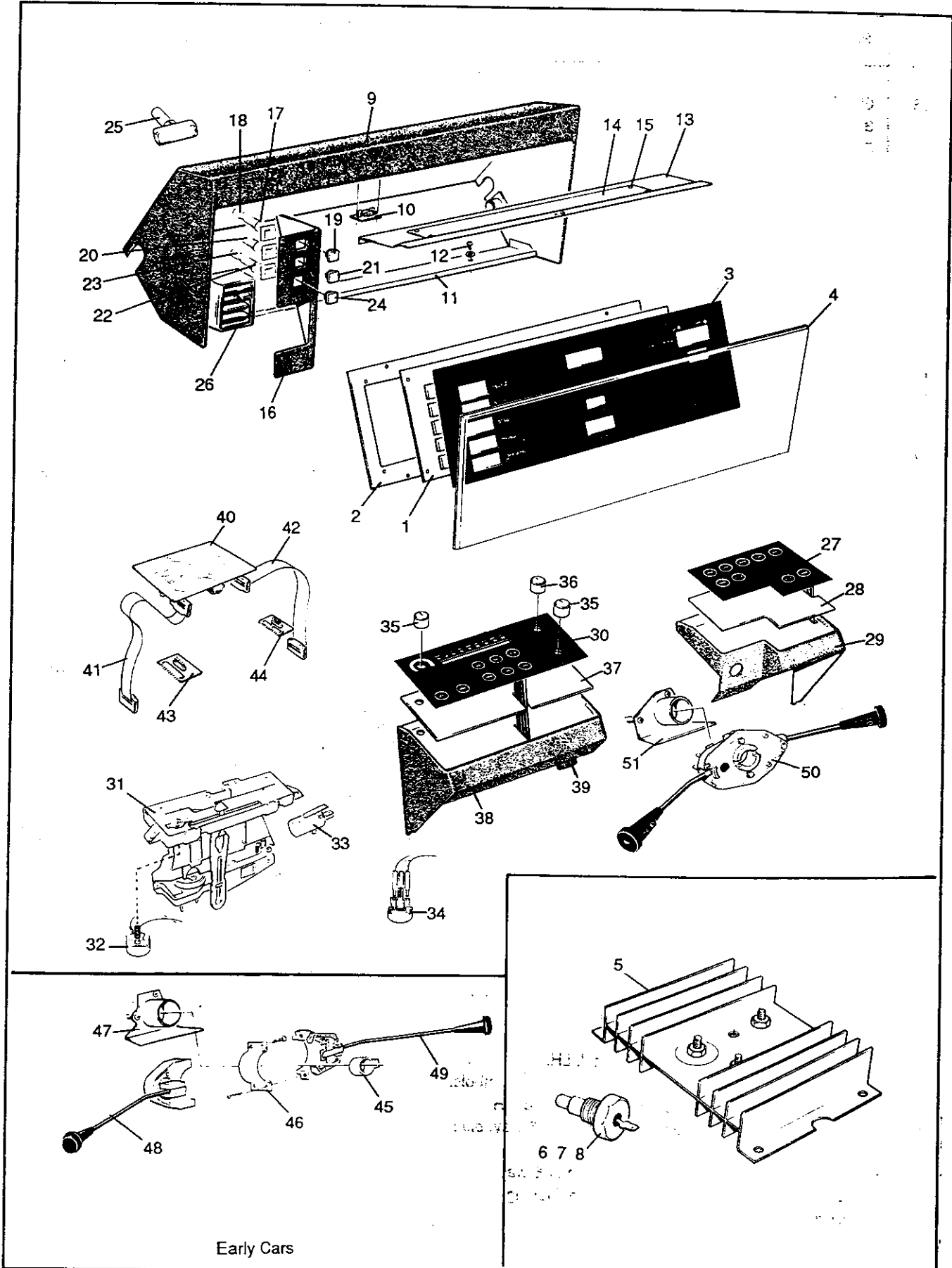
## ELECTRICS

 Instruments & Controls  
 LHD - Instrument Panel  
 Cars to 1985

Illus No.	Part Number	Description	Qty	Remarks
16	69.13973	Finisher, facia air vent	1	
17	37.12570	Switch	1	
18	37.16857	Switching element	1	From chassis no. 13296. For later flasher unit
		} Hazard warning		
19	37.12571	Lens, red	1	
-	37.15546	Legend	1	
20	37.12570	Switch	1	} Rear fog
21	37.15559	Lens, orange	1	
-	37.15545	Legend	1	
-	37.13485	Switch bulb	2	Hazard warning and rear fog
22	37.12570	Switch	1	
23	37.16857	Switching element	1	} Maximum air conditioning switch (when fitted)
24	37.17073	Lens, blue	1	
-	37.17075	Legend	1	
-	37.13485	Switch bulb	1	
-	37.17068	Switch harness. Up to 1983	1	
25	37.18182	Warning lamp, overspeed, 120 Kmh, amber	1	} Saudi Arabian cars - fitted above hazard warning switch.
-	37.18205	Harness and bulbholder. (37.19684 from 1984)	1	
-	691765	Bulb, 12V 2W	1	} See sect. 6.3C for control unit
26	89.11942	Air outlet	1	Modify to suit car
-	69.13612	Bracket, air outlet mounting, upper	1	
-	020.037.0182	Grommet	1	
-	69.13614	Bracket, air outlet mounting, lower	1	
-	581.000.0235	Pop rivet, 1/8 in. x 0.24 in.	9	Bracket attachment
-	691782	Screw, PK, No 6 x 3/8 in.	2	Air outlet to brackets
-	37.14253	Buzzer	2	
-	692797	Resister, 1K/1W	1	To stop KPH to MPH buzzing
27	38.15722	Touch switch panel, RH	1	} Singular switches up to mid 1983. (Early cars used modified RHD panel)
		} All words		
-	38.19407	Touch switch panel, RH	1	Grouped switches from mid 1983
-	38.19407A	Touch switch panel, Arabic, RH	1	
-	692710	Lead end clincher plug, 15 way, blue	1	
-	692712	Plug, white	as reqd	
-	692711	Right angle connector, 36 way	1	
28	69.15720	Plate, binnacle, RH	1	
29	69.15718	Binnacle assembly, RH	1	
-	692064	Washer, shakeproof, M4	2	} Binnacle plate to binnacle
-	692314	Nut, Nyloc, M4	2	
30	38.15721	Touch switch panel, LH. All words.	1	} Singular switches up to mid 1983. (Early cars used modified RHD panel)
		} Mixture of words and symbols.		
-	38.19406	Touch switch panel, LH.	1	Grouped switches from mid 1983.
-	38.19406A	Touch switch panel, Arabic, LH	1	
-	692710	Lead end clincher plug, 15 way, blue	1	
-	692712	Plug, white	as reqd	
-	692711	Right angle connector, 36 way	1	
31	89.11383	Control head, air conditioning	1	Modify to suit car
32	89.12519	Heat control switch	1	Shaft reduced by 5mm from 1983

ELECTRICS

Instruments & Controls  
LHD - Instrument Panel  
Cars to 1985







**ELECTRICS**

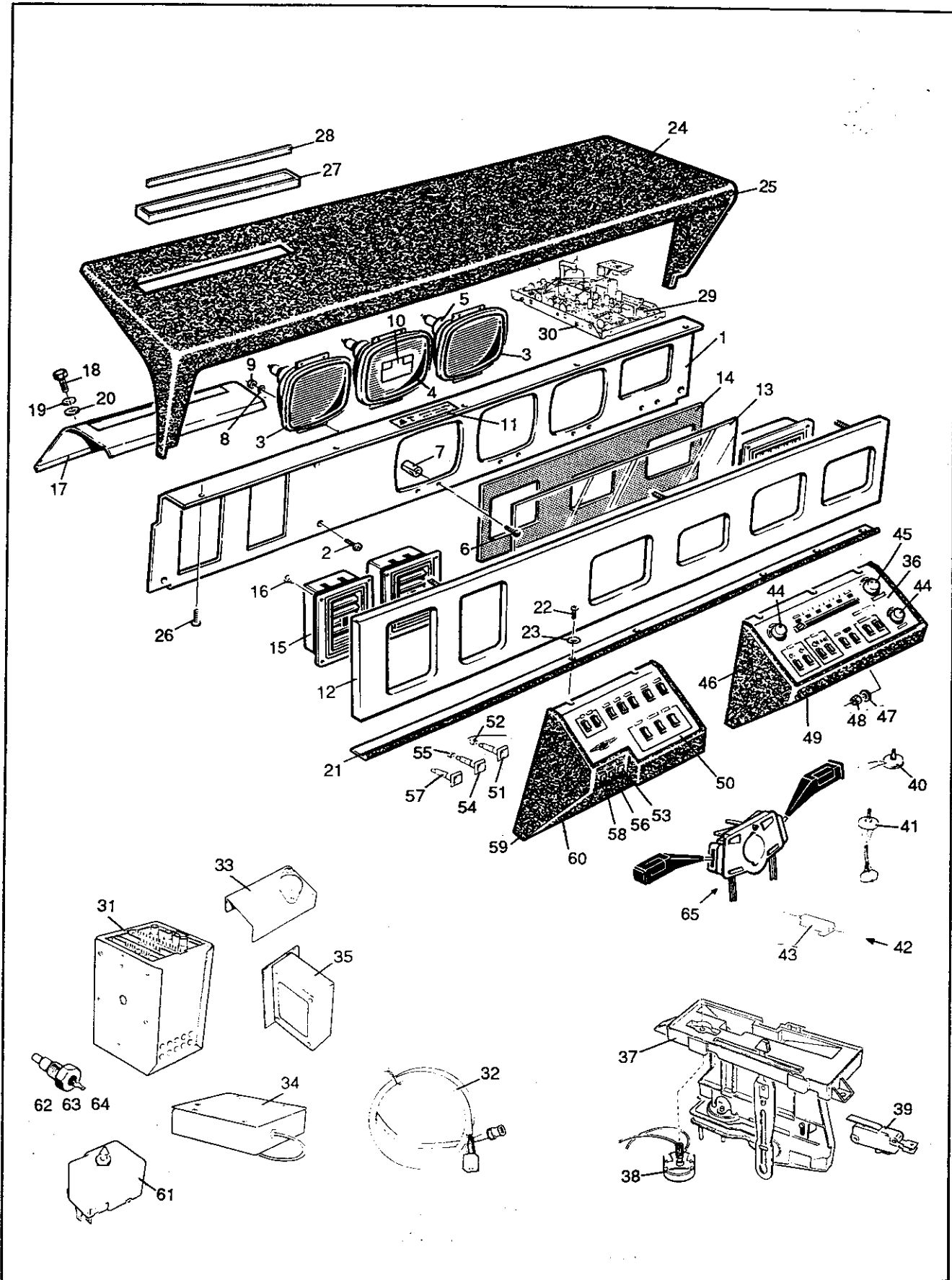
**Instruments & Controls  
LHD - Instrument Panel  
Cars to 1985**

Illus No.	Part Number	Description	Qty	Remarks
33	095.038.0107	Microswitch	1	
-	89.13578	Microswitch mounting bracket	1	
-	691160	Screw, 6BA x 3/4 in.	2	
-	691349	Washer, plain, 6BA	4	
-	691347	Nut, 6BA	2	
34	38.17313	Instrument panel dimmer switch	1	Shaft reduced by 9mm from 1983
35	37.14229	Knob, round, silver, 8mm spindle	2	} Dimmer and } heat control } switches
-	37.18379	Knob, round, black, 6.5 mm spindle	2	
-	692765	Grubscrew, 6BA x 6 mm	2	
36	37.14230	Knob, round, silver, 4 mm spindle	1	} From } 1983 } Wiper delay
-	37.18380	Knob, round, black, 4.25 mm spindle	1	
-	692765	Grubscrew, 6 BA x 6 mm	1	
-	37.11488	Switch kit, wash/wipe delay	1	Modify to suit car
37	69.15719	Plate, binnacle, LH	1	
38	69.15717	Binnacle assembly, LH	1	
-	69.17291	Filler plate	1	Binnacle to 'A' post
-	692064	Washer, shakeproof, M4	2	} Binnacle plate } to binnacle
-	692314	Nut, Nyloc, M4	2	
-	69.15738	Finisher plate	1	} Binnacles and } steering column
-	69.18655	Finisher plate	1	
-	692055	Washer, plain, M5	3	
-	692406	Screw, M5 x 12	3	
39	069.037.0158	Panel lamp dimmer switch	1	
-	069.037.0115	Nut	1	
-	095.037.0150	Washer, crinkle	1	
-	095.037.0160	Knob, dimmer switch	1	
-	691441	Grubscrew, 4 BA x 1/4 in.	1	
-	37.16391	Switch cable	1	
-	69.15838	Knob depression, for binnacle finisher plate	1	
40	38.17758	Binnacle interface PCB board	1	
-	69.17283	Angle bracket, long	1	} Interface board } to binnacle
-	69.17285	Angle bracket, short	1	
41	38.17759	Lead LH, 400 mm	1	
42	38.17760	Lead RH, 210 mm	1	
43	38.17761	PCB board, small, LH	1	
44	38.17762	PCB board, small, RH	1	
-	83.12280	Cowl, switches	1	
45	25.12313	Indicator cancelling block	1	
-	691019	Grubscrew, 2BA	1	
-	37.15003	Cowl support assembly	1	LHD
46	095.037.0144	Clamp	1	
47	37.12393	Cowl mounting bracket	1	
-	692330	Screw, M4 x 8, countersunk head	2	
-	691863	Screw, Pan head, No 10 x 24 UNC x 1/2 in.	3	
-	119488	Washer, spring	3	
48	095.037.0104	Switch, screen wash/wipe	1	} Note: switch positions } reversed on some cars.
49	095.037.0106	Switch, dip/flash/horn/indicators	1	
-	691862	Screw, pan head, No. 10 x 24 UNC x 1 in.	2	
-	691863	Screw, pan head, No. 10 x 24 UNC x 1/2 in.	2	
50	37.15156	Switch, screen wash/wipe/dip/flash/horn/indicators	1	} From chassis 13186
51	25.17858	Cowl mounting bracket	1	
-	83.18014	Switch cowl	1	

Section 6.1D

ELECTRICS

RHD Instrument Panel  
Cars From 1985 To 1986





**ELECTRICS**

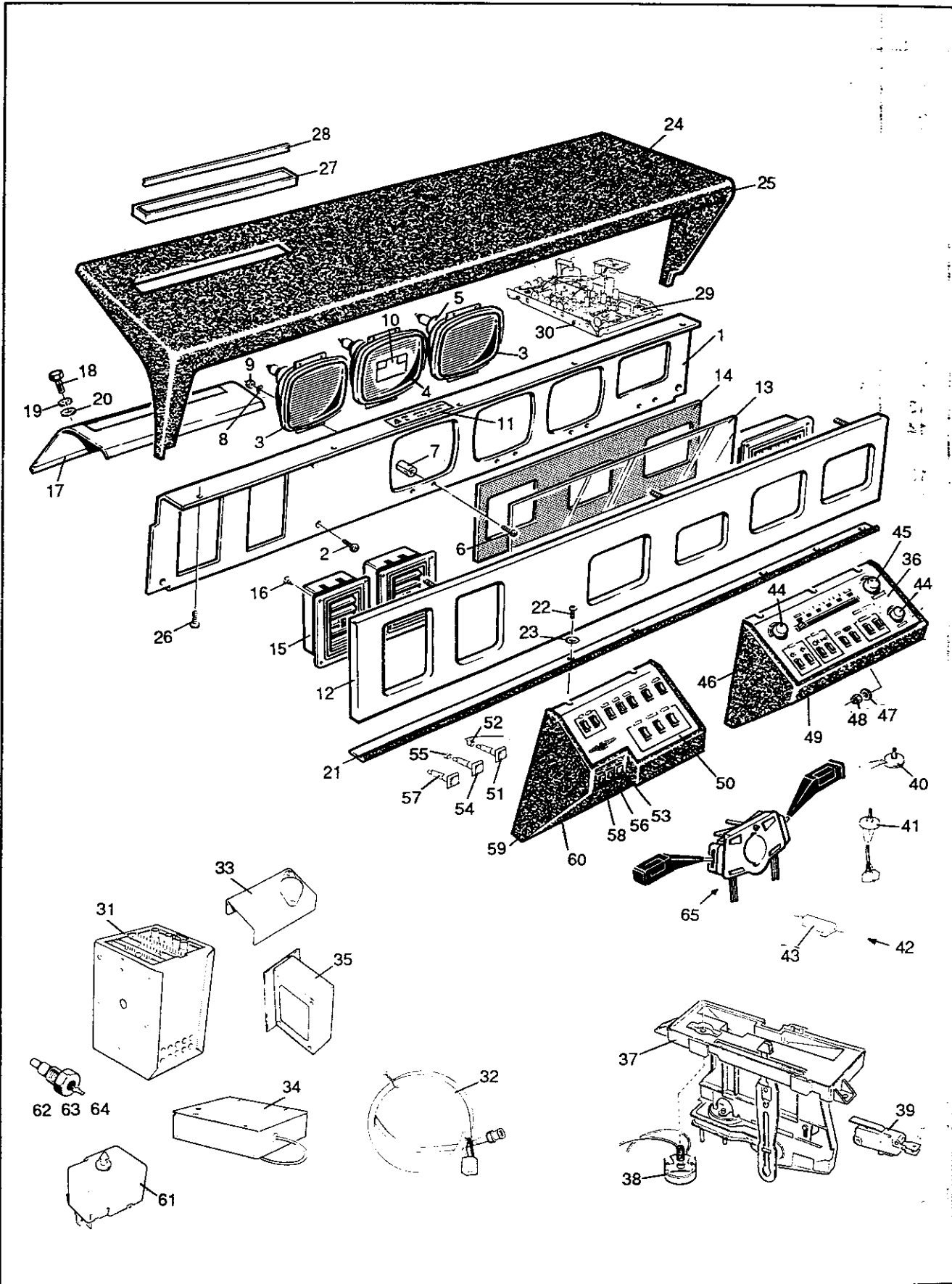
**Instruments & Controls  
RHD - Instrument Panel  
Cars from 1985 to 1986**

Illus No.	Part Number	Description	Qty	Remarks
1	69.20699	Instrument panel	1	
2	692345	Screw, M5 x 10, countersunk head	6	instrument panel fixing
3	38.20027	Cathode Ray Tube, green	2	
4	38.20028	Cathode Ray Tube, white	1	
5	38.20029	Yoke, cathode ray tube	3	
6	693077	Screw, M4 x 30, countersunk head	12	} Cathode Ray Tubes to instrument panel
7	693076	Spacer tube, plastic	12	
8	692054	Washer, plain, M4	12	
9	692314	Nut, Nyloc, M4	12	
10	38.20568	Screen overlay, centre C.R.T.	1	
11	97.20695	Warning label, C.R.T. instruments	1	
12	87.20274	Wood trim, instruments	1	
-	692055	Washer, plain, M5	3	
-	692800	Nut, Nyloc, M5	3	
13	38.20030	Glass, non-reflective	1	
14	69.20446	Seal, glass to C.R.T.'s	1	
-	692547	Adhesive	as reqd	
15	89.11942	Air outlet	4	Modify to suit car
16	692359	Screw, black, No. 4 x 5/16 in.	8	
-	69.20195	Duct, side air outlet	1	Driver's side
-	69.20356	Duct, side air outlet	1	Passenger's side
17	69.20373	Panel, plenum top	1	
18	692242	Screw, M5 x 12	4	} Panel to chassis frame
19	692045	Washer, spring, M5	4	
20	692055	Washer, plain, M5	4	
-	691780	Seal strip	as reqd	
21	69.20416	Finisher strip, binnacles	1	
22	692090	Screw, M5 x 12	6	
23	692055	Washer, plain, M5	6	
-	69.20986	Retaining bracket, finisher strip	1	
-	692359	Screw, black, No.4 x 5/16 in.	2	
-	69.20641	Finisher, steering column	1	See section 4.3C
24	69.20761	Cover, display area	1	Untrimmed
25	69.20725	Foam pad, driver's crash pad	1	
26	692517	Screw, black, M4 x 16, countersunk head	5	Cover to instrument panel
27	69.17014	Dash top vent	1	
28	69.19354	Vent grid	1	
29	38.20025	High voltage board	3	
30	38.20026	Carrier, high voltage boards	2	Not inner
-	38.20447	Carrier, high voltage board, inner	1	
-	069.037.0194	Clip	4	} High voltage boards and H.V.board carrier fixings
-	693066	Edge fastener	4	
-	692471	Spacer	2	
-	112166	Screw, 4BA x 3/4 in.	2	
-	115521	Nut, Nyloc, 4BA	2	
-	692345	Screw, M5 x 10, countersunk head, inner carrier	2	
31	38.20031	Computer unit, MPH	1	
-	38.20132	Computer unit, MPH	1	American
-	38.20142	Computer unit, KMH	1	Arabic
-	38.20139	Computer unit, KMH	1	German
-	38.20136	Computer unit, KMH	1	French

} Alternatives

# ELECTRICS

RHD Instrument Panel  
Cars From 1985 To 1986





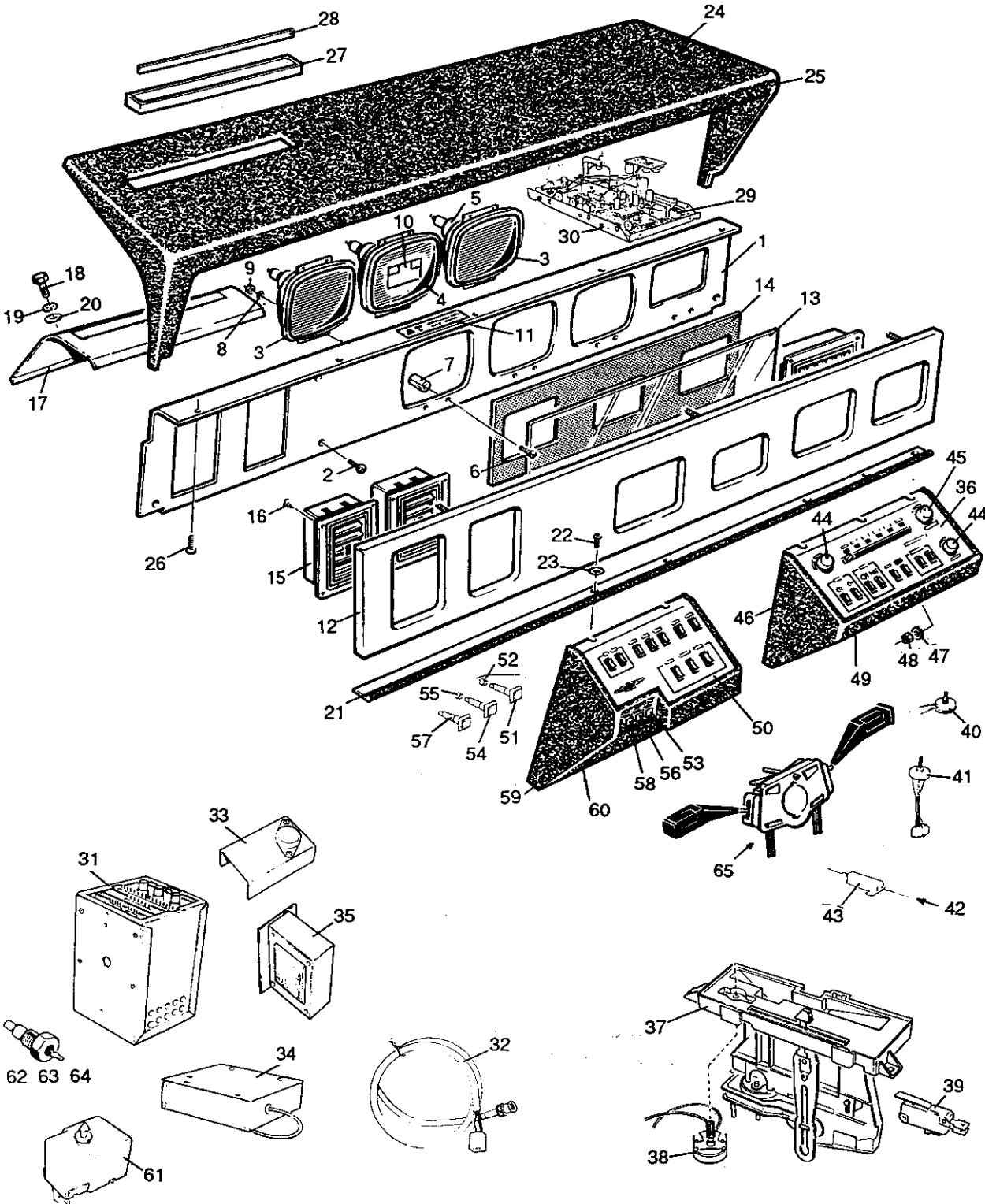
**ELECTRICS**

**Instruments & Controls  
RHD - Instrument Panel  
Cars from 1985 to 1986**

Illus No.	Part Number	Description	Qty	Remarks
-	69.20262	Cradle, computer	1	
-	69.20268	Retainer, computer	1	
-	692242	Screw, M5 x 12	3	
-	692045	Washer, spring, M5	3	} Cradle fixing
-	692055	Washer, plain, M5	3	
32	38.20032	Cable, computer to high voltage boards	3	
33	38.20033	Voltage stabilisers	3	
-	691321	Screw, 2BA x 1/2 in.	3	} Stabiliser } Early cars
-	123145	Rivnut, 2BA	3	
34	38.22390	Voltage stabiliser	1	} Stabiliser fixing } Later cars
-	112157	Screw, 4BA x 1/2 in., countersunk head	4	
-	691321	Screw, 2BA x 1/2 in.	2	
-	123145	Rivnut, 2BA	2	
-	69.20779	Stabiliser heatsink plate	1	} Heatsink } Later cars
-	691321	Screw, 2BA x 1/2 in.	2	
-	122422	Washer, plain, 2BA	2	
-	123120	Washer, shakeproof, 2BA	2	
-	122443	Nut, 2BA	2	} plate fixing
35	38.20662	Choke, computer feed	1	
36	38.20038	Binnacle switch panel, RH	1	
-	38.20133	Binnacle switch panel, RH	1	Marked 'Unleaded fuel only'
37	89.11383	Control head, air conditioning	1	Modify to suit car
38	89.12519	Heat control switch	1	Shaft reduced by 5mm from 1983
-	89.13578	Microswitch mounting bracket	1	
39	095.038.0107	Microswitch	1	
-	691160	Screw, 6BA x 3/4 in.	2	
-	691349	Washer, plain, 6BA	4	
-	691347	Nut, 6BA	2	
-	692044	Washer, spring, M4	3	} Control head to binnacle
-	692054	Washer, plain, M4	3	
-	692074	Nut, plain, M4	3	
40	38.20619	Dimmer switch, switch panels	1	
41	38.21938	Switch and harness assembly	1	} Later cars. } Manual C.R.T. dimming
-	38.21939	Harness, switch assembly to high voltage boards	1	
42	38.21940	Binnacle dimmer resister and cables assembly	1	
43	693299	Resister, 50W	1	
-	690278	Screw, No.4 x 1/2 in.	2	Resister fixing
44	37.18379	Knob, round, black, 6.5mm spindle	2	} Dimmer and } heat control switches
-	692765	Grubscrew, 6BA x 6mm	2	
45	37.18380	Knob, round, black, 4.25mm spindle	1	} Wiper } delay
-	692765	Grubscrew, 6BA x 6mm	1	
-	37.11488	Switch kit, wash/wipe delay	1	} Modify to } suit car
-	37.20765	Switch kit, wiper delay	1	
46	69.20253	Binnacle assembly, RH	1	From chassis no. 13426
-	692090	Screw, M5 x 12	3	} Binnacle assembly } to } chassis frame
-	692045	Washer, spring, M5	3	
-	692055	Washer, plain, M5	3	
47	692056	Washer, plain, M6	2	
48	692151	Nut, Nyloc, M6	2	

# ELECTRICS

RHD Instrument Panel  
Cars From 1985 To 1986





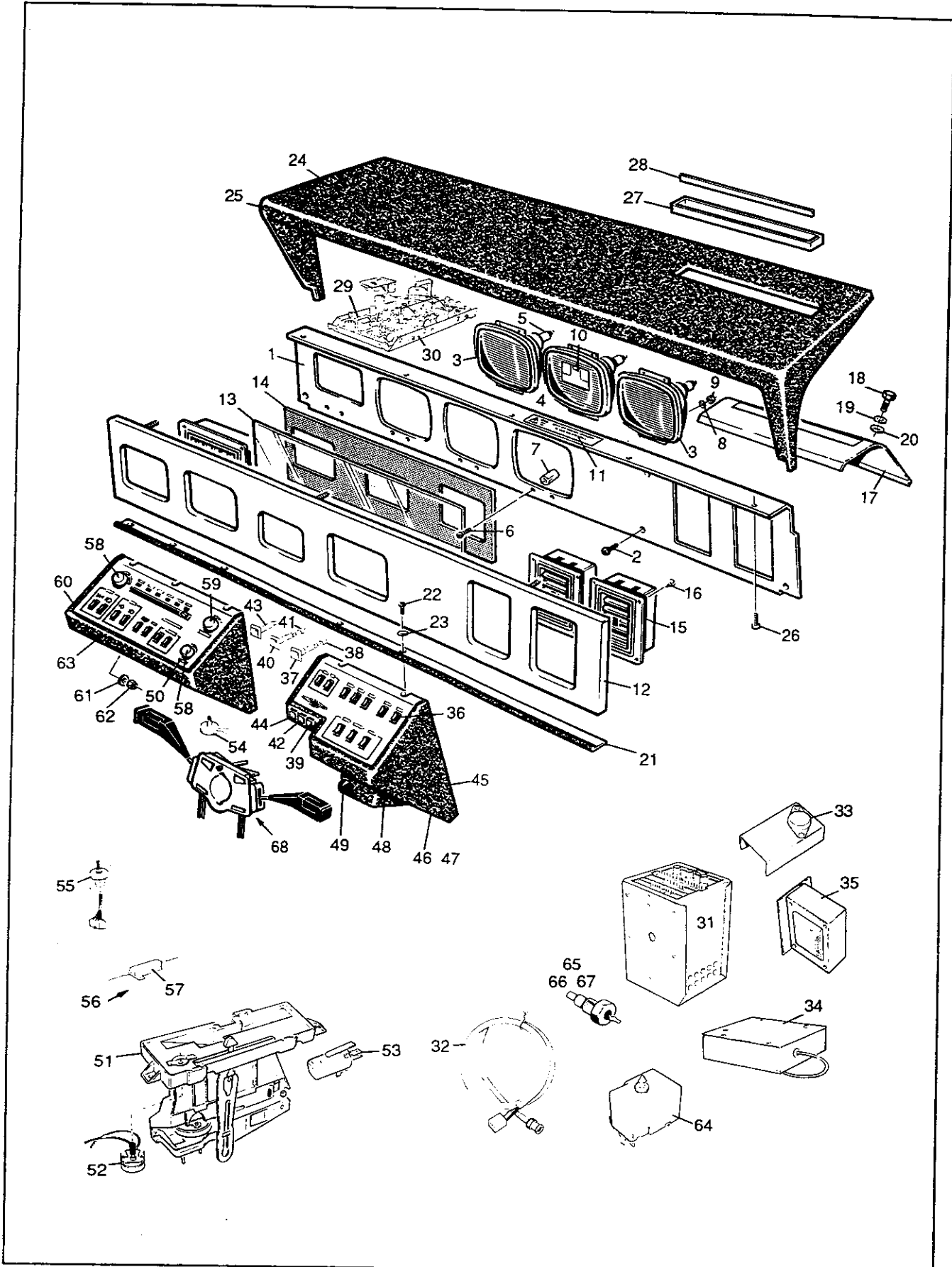
**ELECTRICS**

**Instruments & Controls  
RHD - Instrument Panel  
Cars from 1985 to 1986**

Illus No.	Part Number	Description	Qty	Remarks	
49	69.20258	Binnacle finisher plate	1	} Finisher plate fixings	
-	526.000.0210	Screw, No.6 x 5/8 in.	4		
-	112183	Cupwasher, No.6	4		
-	692172	Spire clip	2		
50	38.20039	Binnacle switch panel, LH	1	} Switch panel to binnacle	
-	692044	Washer, spring, M4	2		
-	692054	Washer, plain, M4	2		
-	692074	Nut, plain, M4	2	} Illumination unit to binnacle	
-	37.20282	Illumination unit, switch panels	1		See section 6.3B.1
-	692043	Washer, spring, M3	2		
-	692053	Washer, plain, M3	2		
-	692073	Nut, plain, M3	2	} Hazard warning	
51	37.12570	Switch	1		
52	37.16857	Switching element	1		
53	37.12571	Lens, red	1		
-	37.15546	Legend	1	} Maximum air-conditioning switch	
-	37.13485	Switch bulb	1		
54	37.12570	Switch	1		
55	37.16857	Switching element	1		
56	37.17073	Lens, blue	1	} Rear fog	
-	37.17075	Legend	1		
-	37.13485	Switch bulb	1		
57	37.12570	Switch	1	} Binnacle assembly to chassis frame	
58	37.15559	Lens, orange	1		
-	37.15545	Legend	1		
-	37.13485	Switch bulb	1		
59	69.20236	Binnacle assembly, LH	1		
-	692090	Screw, M5 x 12	2		
-	692045	Washer, spring, M5	2		
-	692055	Washer, plain, M5	2		
-	692056	Washer, plain, M6	2		
-	692151	Nut, Nyloc, M6	2		
60	69.21294	Binnacle finisher plate	1	} Finisher plate fixings	
-	526.000.0210	Screw, No.6 x 5/8 in.	4		
-	112183	Cupwasher, No.6	4		
-	692172	Spire clip	2		
61	38.20618	Transformer, 12v dc - 110v ac	2	For binnacle switch panels	
62	-	Oil and water temperature senders	2	See section 1.1	
63	38.14259	Internal and external temperature senders	2	} Matched pair	
64	38.14040	External low temperature sender	1		
-	692071	Washer, shakeproof, M16	5	} Bracket attach	
-	022.033.0202	Washer, copper	5		
-	38.14260	Bracket, internal temperature sender	1	} Fixed to chassis	
-	691782	Screw, PK, No. 6 x 3/8 in.	2		
-	19.16971	Bracket, flat, external temperature sender	1	} See section 4.3C	
65	-	Switches and housing, steering column	-		

# ELECTRICS

LHD - Instrument Panel  
Cars From 1985 To 1986







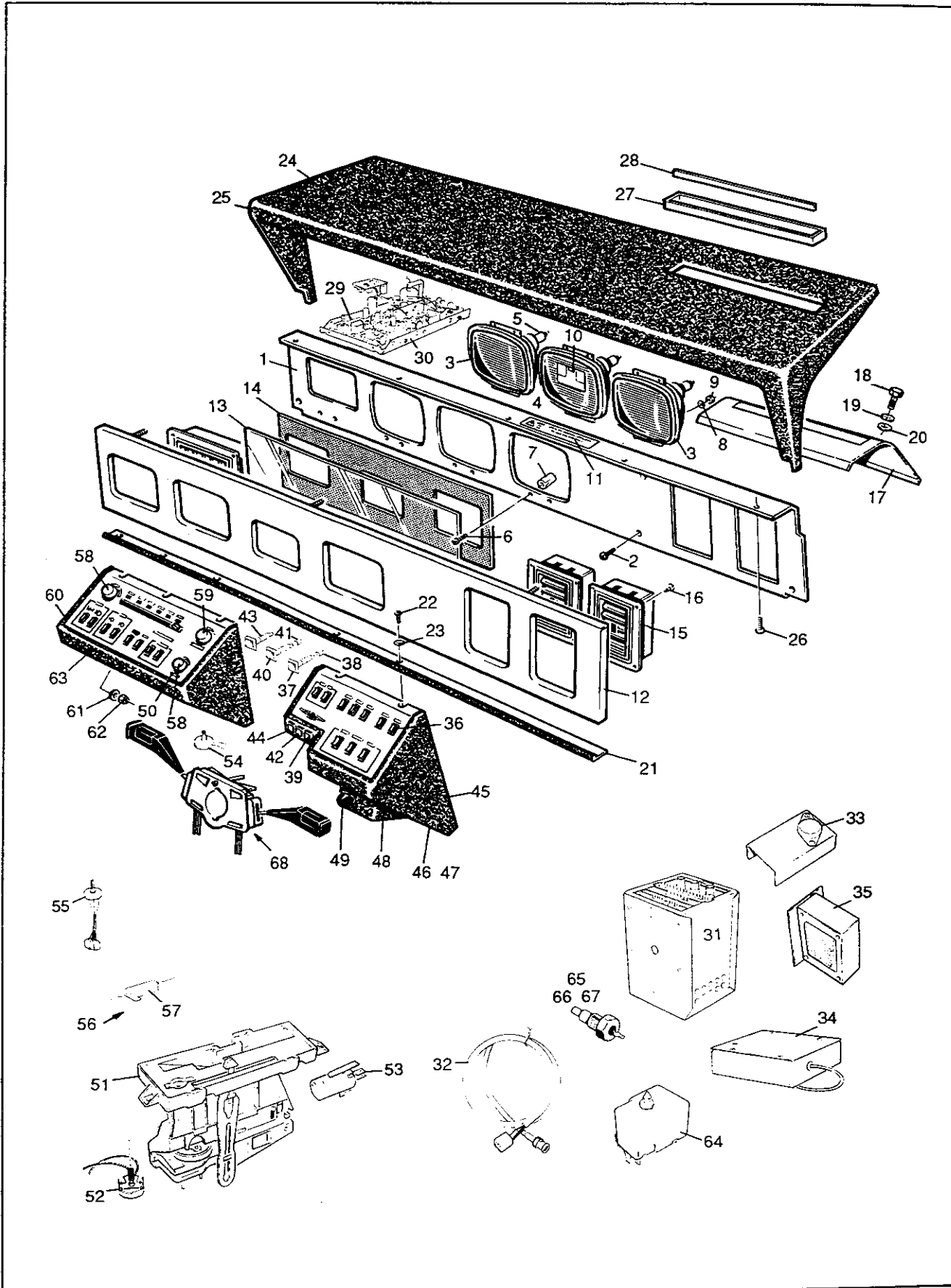
**ELECTRICS**

**Instruments & Controls  
LHD - Instrument Panel  
Cars from 1985 to 1986**

Illus No.	Part Number	Description	Qty	Remarks
1	69.20698	Instrument panel		
2	692345	Screw, M5 x 10, countersunk head	1	Instrument panel fixing
3	38.20027	Cathode Ray Tube, green	6	
4	38.20028	Cathode Ray Tube, white	2	
5	38.20029	Yoke, cathode ray tube	1	
6	693077	Screw, M4 x 30, countersunk head	3	
7	693076	Spacer tube, plastic	12	
8	692054	Washer, plain, M4	12	Cathode Ray Tubes to instrument panel
9	692314	Nut, Nyloc, M4	12	
10	38.20568	Screen overlay, centre C.R.T.	12	
11	97.20695	Warning label, C.R.T. instruments	1	
12	87.20273	Wood trim, instruments	1	
-	692055	Washer, plain, M5	1	
-	692800	Nut, Nyloc, M5	3	
13	38.20030	Glass, non-reflective	3	
14	69.20446	Seal, glass to C.R.T.'s	1	
-	692547	Adhesive	1	
15	89.11942	Air outlet	as reqd	
16	692359	Screw, black, No. 4 x 5/16 in.	4	Modify to suit car
-	69.20195	Duct, side air outlet	8	
-	69.20356	Duct, side air outlet	1	Driver's side
17	69.20373	Panel, plenum top	1	Passenger's side
18	692242	Screw, M5 x 12	1	
19	692045	Washer, spring, M5	4	Panel to chassis frame
20	692055	Washer, plain, M5	4	
-	691780	Seal strip	4	
21	69.20415	Finisher strip, binnacles	as reqd	
22	692090	Screw, M5 x 12	1	
23	692055	Washer, plain, M5	6	
-	69.20986	Retaining bracket, finisher strip	6	
-	692359	Screw, black, No.4 x 5/16 in.	1	
-	69.20641	Finisher, steering column	2	
24	69.20760	Cover, display area	1	See section 4.3C
25	69.20725	Foam pad, driver's crash pad	1	Untrimmed
26	692517	Screw, black, M4 x 16, countersunk head	1	
27	69.17014	Dash top vent	5	Cover to instrument panel
28	69.19354	Vent grid	1	
29	38.20025	High voltage board	1	
30	38.20026	Carrier, high voltage boards	3	
-	38.20696	Carrier, high voltage board, inner	2	Not inner
-	069.037.0194	Clip	1	
-	693066	Edge fastener	4	High voltage boards and H.V.board carrier fixings
-	692471	Spacer	4	
-	112166	Screw, 4BA x 3/4 in.	2	
-	115521	Nut, Nyloc, 4BA	2	
-	692345	Screw, M5 x 10, countersunk head, inner carrier	2	
31	38.20031	Computer unit, MPH	2	
-	38.20132	Computer unit, MPH	1	Alternatives
-	38.20142	Computer unit, KMH	1	
-	38.20139	Computer unit, KMH	1	
-	38.20136	Computer unit, KMH	1	
-	69.20263	Cradle, computer	1	
-	69.20269	Retainer, computer	1	
-			1	

ELECTRICS

LHD - Instrument Panel  
Cars From 1985 To 1986





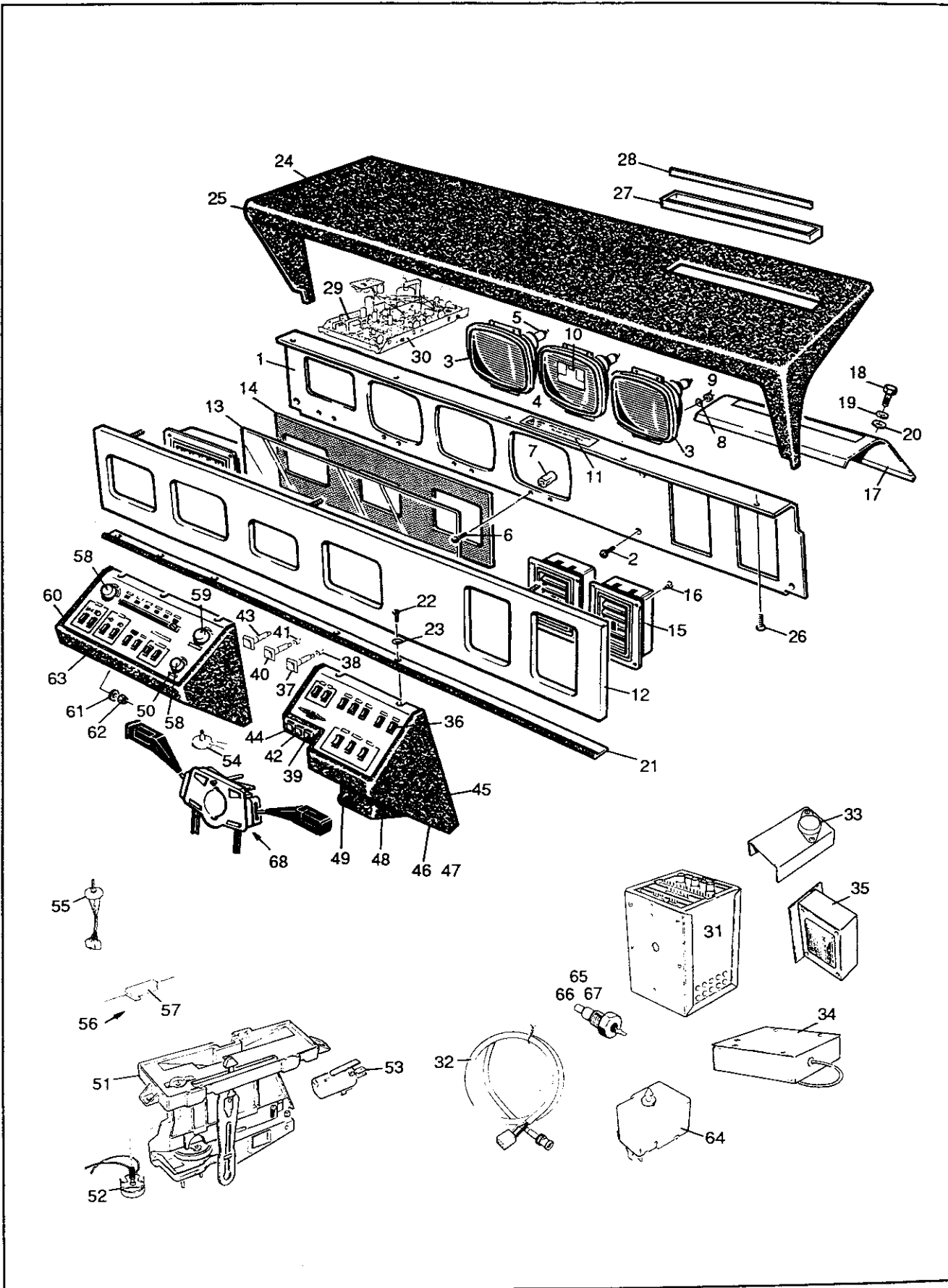
**ELECTRICS**

**Instruments & Controls  
LHD - Instrument Panel  
Cars from 1985 to 1986**

Illus No.	Part Number	Description	Qty	Remarks
-	692242	Screw, M5 x 12	3	} Cradle fixing
-	692045	Washer, spring, M5	3	
-	692055	Washer, plain, M5	3	
32	38.20032	Cable, computer to high voltage boards	3	
33	38.20033	Voltage stabilisers	3	} Stabiliser fixing
-	691321	Screw, 2BA x 1/2 in.	3	
-	123145	Rivnut, 2BA	3	} Early cars
34	38.22390	Voltage stabiliser	1	
-	112157	Screw, 4BA x 1/2 in., countersunk head	4	} Stabiliser fixing
-	691321	Screw, 2BA x 1/2 in.	2	
-	123145	Rivnut, 2BA	2	
-	69.20779	Stabiliser heatsink plate	1	} Later cars from Feb. 1986
-	691321	Screw, 2BA x 1/2 in.	2	
-	122422	Washer, plain, 2BA	2	} Heatsink plate fixing
-	123120	Washer, shakeproof, 2BA	2	
-	122443	Nut, 2BA	2	
35	38.20662	Choke, computer feed	1	
36	38.20039	Binnacle switch panel, RH	1	} Switch panel to binnacle
-	692044	Washer, spring, M4	2	
-	692054	Washer, plain, M4	2	
-	692074	Nut, plain, M4	2	
-	37.20282	Illumination unit, switch panels	1	See section 6.3B.1
-	692043	Washer, spring, M3	2	} Illumination unit to binnacle
-	692053	Washer, plain, M3	2	
-	692073	Nut, plain, M3	2	
37	37.12570	Switch	1	} Hazard warning
38	37.16857	Switching element	1	
39	37.12571	Lens, red	1	
-	37.15546	Legend	1	
-	37.13485	Switch bulb	1	} Maximum air-conditioning switch
40	37.12570	Switch	1	
41	37.16857	Switching element	1	
42	37.17073	Lens, blue	1	
-	37.17075	Legend	1	} Rear fog
-	37.13485	Switch bulb	1	
43	37.12570	Switch	1	
44	37.15559	Lens, orange	1	} Binnacle assembly to chassis frame
-	37.15545	Legend	1	
-	37.13485	Switch bulb	1	
45	69.20236	Binnacle assembly, RH	1	
-	692090	Screw, M5 x 12	2	} Binnacle assembly to chassis frame
-	692045	Washer, spring, M5	2	
-	692055	Washer, plain, M5	2	
-	692056	Washer, plain, M6	2	
-	692151	Nut, Nyloc, M6	2	
46	69.21294	Binnacle finisher plate	1	} Finisher plate fixings
47	69.20453	Binnacle finisher plate	1	
-	526.000.0210	Screw, No.6 x 5/8 in.	4	
-	112183	Cupwasher, No.6	4	} Finisher plate fixings
-	692172	Spire clip, No.6	2	
48	69.20454	Housing, choke cable	1	} Housing to finisher plate
-	692054	Washer plain, M4	4	
-	692314	Nut, nyloc, M4	4	

# ELECTRICS

LHD - Instrument Panel  
Cars From 1985 To 1986





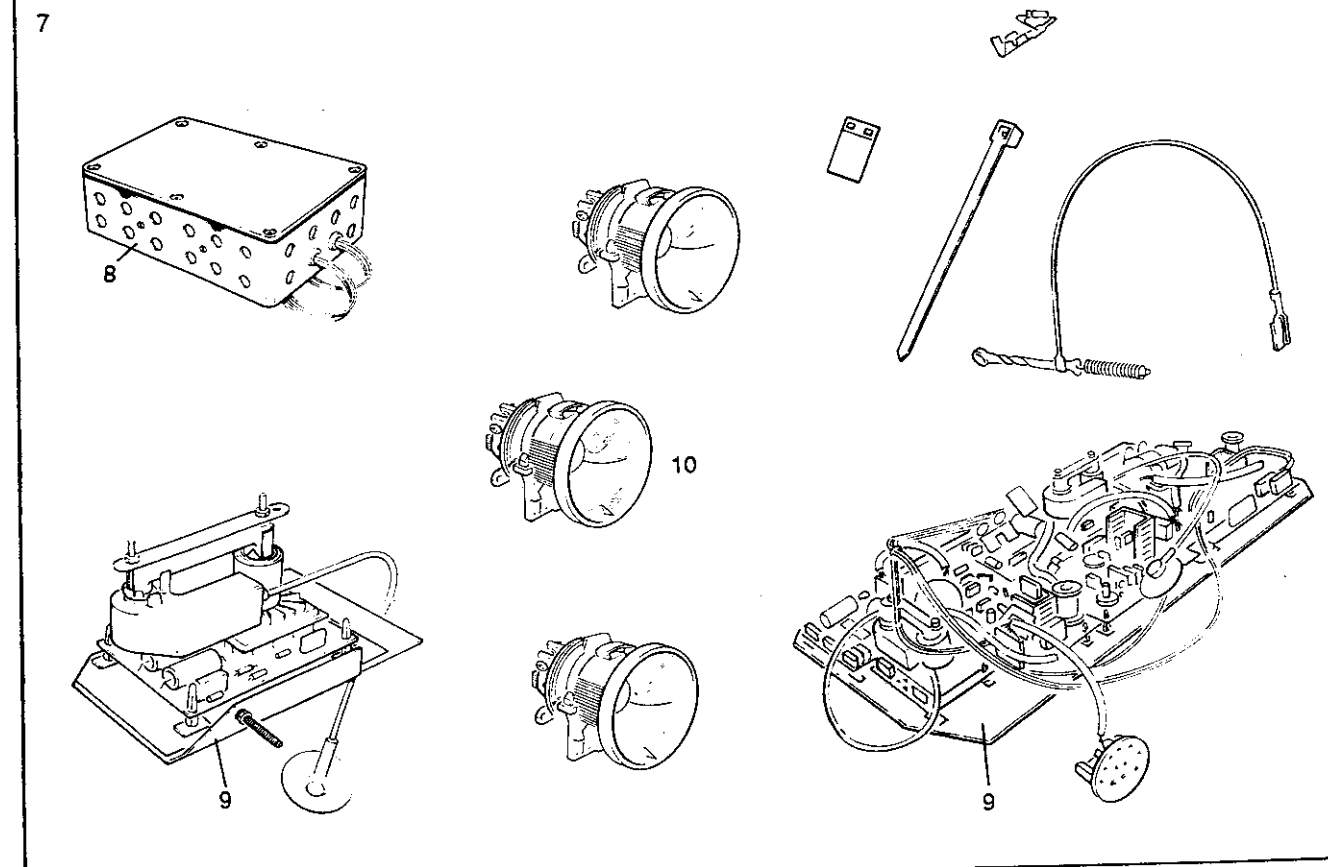
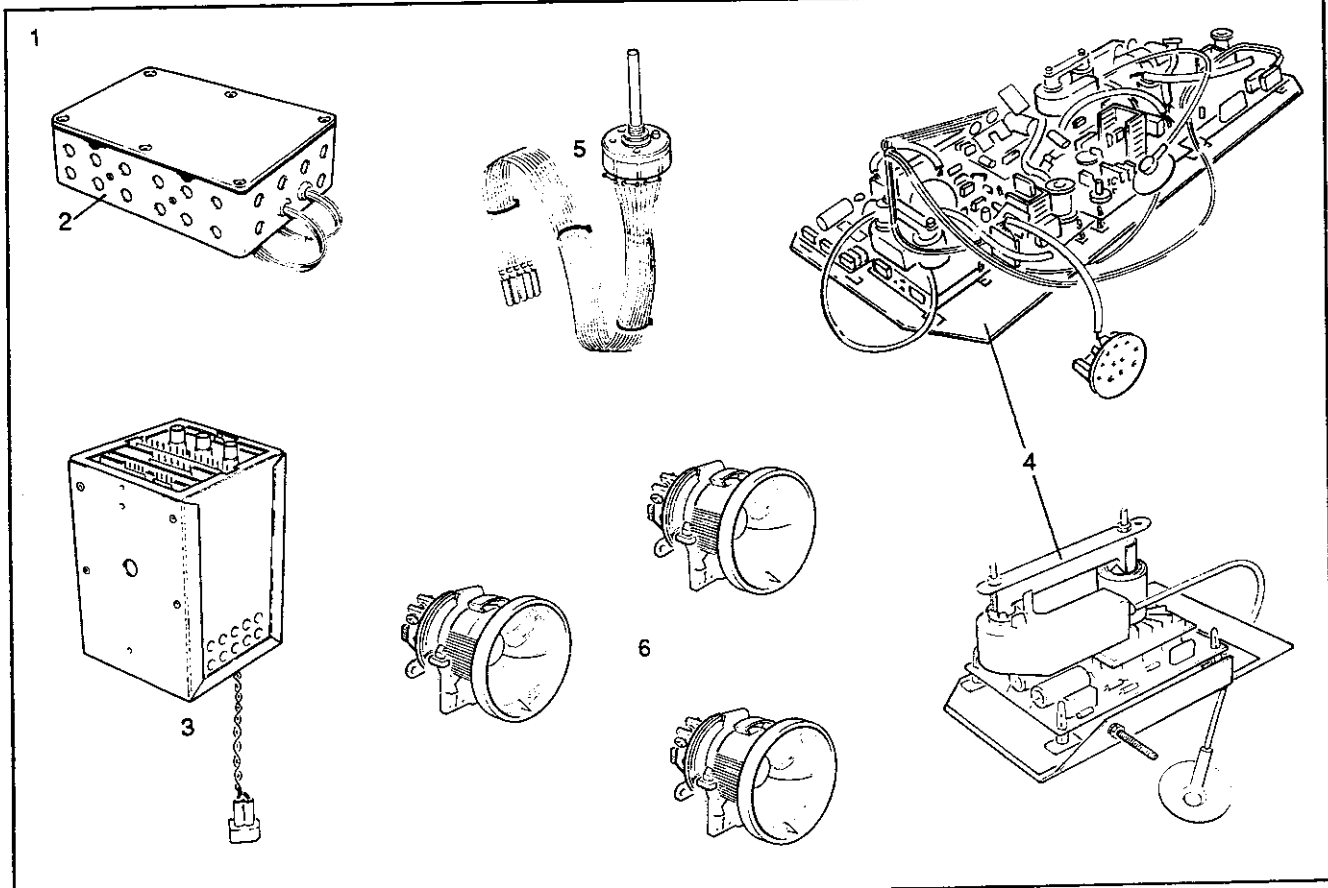
**ELECTRICS**

**Instruments & Controls  
LHD - Instrument Panel  
Cars from 1985 to 1986**

Illus No.	Part Number	Description	Qty	Remarks	
49	38.18657	Choke cable	1	} USA carburettor cars	
-	008182	Grease, special, choke cable	as reqd		
-	692790	Grommet, choke cable through bulkhead	1		
-	37.18658	Choke switch	1		
-	37.18659	Clip, switch retaining	1		
50	38.20038	Binnacle switch panel, LH	1	} Marked 'Unleaded fuel only'	
-	38.20133	Binnacle switch panel, LH	1		
51	89.11383	Control head, air conditioning	1	} Modify to suit car	
52	89.12519	Heat control switch	1		
-	89.13578	Microswitch mounting bracket	1	} Shaft reduced by 5mm from 1983	
53	095.038.0107	Microswitch	1		
-	691160	Screw, 6BA x 3/4 in.	2		
-	691349	Washer, plain, 6BA	4		
-	691347	Nut, 6BA	2		
-	692044	Washer, spring, M4	3		
-	692054	Washer, plain, M4	3		
-	692074	Nut, plain, M4	3		
54	38.20619	Dimmer switch, switch panels	1		} Early cars. Use later items.
55	38.21938	Switch and harness assembly	1		
-	38.21939	Harness, switch assembly to high voltage boards	1	} Later cars.	
56	38.21940	Binnacle dimmer resister and cables assembly	1		
57	693299	Resister, 50W	1		
-	690278	Screw, No.4 x 1/2 in.	2	} Resister fixing	
58	37.18379	Knob, round, black, 6.5mm spindle	2		
-	692765	Grubscrew, 6BA x 6mm	2	} Dimmer and heat control switches	
59	37.18380	Knob, round, black, 4.25mm spindle	1		
-	692765	Grubscrew, 6BA x 6mm	1	} Wiper delay	
-	37.11488	Switch kit, wash/wipe delay	1		
-	37.20765	Switch kit, wiper delay	1	} Modify to suit car	
60	69.20253	Binnacle assembly, LH	1		
-	692090	Screw, M5 x 12	3	} Binnacle assembly to chassis frame	
-	692045	Washer, spring, M5	3		
-	692055	Washer, plain, M5	3		
61	692056	Washer, plain, M6	2		
62	692151	Nut, Nyloc, M6	2		
63	69.20258	Binnacle finisher plate	1	} Finisher plate fixings	
-	526.000.0210	Screw, No.6 x 5/8 in.	4		
-	112183	Cupwasher, No.6	4		
-	692172	Spire clip, No.6	2		
64	38.20618	Transformer, 12v dc - 110v ac	2	} For binnacle switch panels	
65	-	Oil and water temperature senders	2		
66	38.14259	Internal and external temperature senders	2	} See section 1.1	
67	38.14040	External low temperature sender	1		
-	692071	Washer, shakeproof, M16	5	} Matched pair	
-	022.033.0202	Washer, copper	5		
-	38.14260	Bracket, internal temperature sender	1	} Bracket attach	
-	691782	Screw, PK, No. 6 x 3/8 in.	2		
-	19.16971	Bracket, flat, external temperature sender	1	} Fixed to chassis	
-	38.17838	Bracket, external temperature sender	1		
68	-	Switches and housing, steering column	-	USA cars. Fitted to under valance See section 4.3C	

ELECTRICS

Instrumentation Update Kits  
Cars From 1985 To 1986





**ELECTRICS**

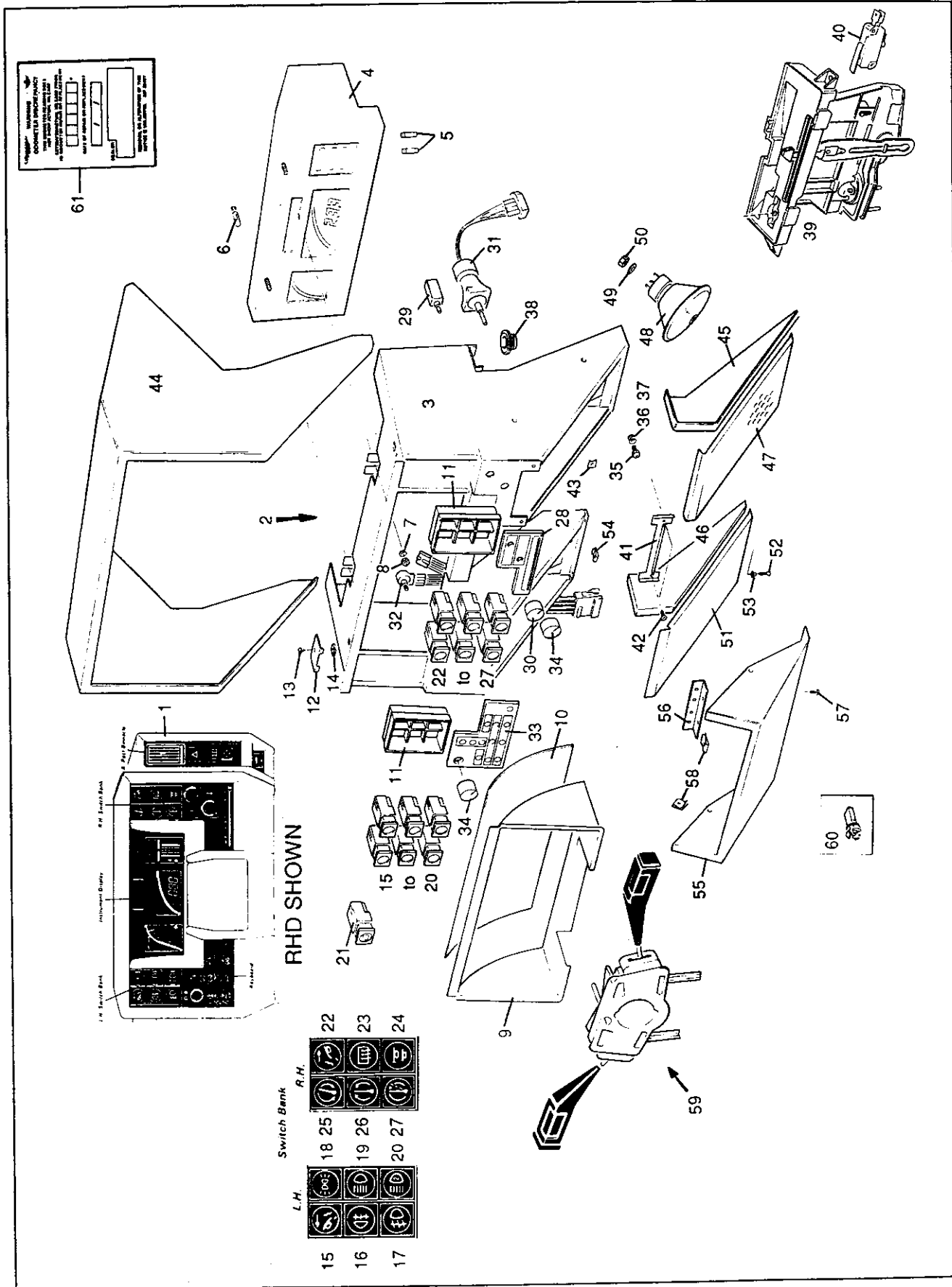
**Instruments & Controls  
Instrument Update Kits  
Cars from 1985 to 1986**

Illus No.	Part Number	Description	Qty	Remarks
-	38.22564	C.R.T. Update kit, MPH	1	RHD. English
-	38.22881	Power supply unit	1	
-	38.22879	Computer, MPH	1	
-	38.22880	C.R.T. driver board assembly	1	
-	-	Dimmer switch	1	
-	-	Yoke, cathode ray tube	3	
-	38.22882	C.R.T. Update kit, MPH	1	LHD. USA cars. English
-	38.22881	Power supply unit	1	
-	38.22879	Computer, MPH	1	
-	38.22883	C.R.T. driver board assembly	1	
-	-	Dimmer switch	1	
-	-	Yoke, cathode ray tube	3	
-	38.22884	C.R.T. Update kit, KPH	1	LHD. French cars. English
-	38.22881	Power supply unit	1	
-	38.22885	Computer, KPH	1	
-	38.22883	C.R.T. driver board assembly	1	
-	-	Dimmer switch	1	
-	-	Yoke, cathode ray tube	3	
-	38.22890	C.R.T. Update kit, KPH	1	LHD. French
-	38.22881	Power supply unit	1	
-	38.22891	Computer, KPH	1	
-	38.22883	C.R.T. driver board assembly	1	
-	-	Dimmer switch	1	
-	-	Yoke, cathode ray tube	3	
-	38.22888	C.R.T. Update kit, KPH	1	LHD. German
-	38.22881	Power supply unit	1	
-	38.22889	Computer, KPH	1	
-	38.22883	C.R.T. driver board assembly	1	
-	-	Dimmer switch	1	
-	-	Yoke, cathode ray tube	3	
1	38.22886	C.R.T. Update kit, KPH	1	LHD. Arabic. 120 KPH warning
2	38.22881	Power supply unit	1	
3	38.22887	Computer, KPH	1	
4	38.22883	C.R.T. driver board assembly	1	
5	-	Dimmer switch	1	
6	-	Yoke, cathode ray tube	3	
7	38.25987	C.R.T. Update kit	1	LHD
-	38.25988	C.R.T. Update kit	1	RHD
8	-	Power supply unit	1	
9	-	C.R.T. driver board assembly	1	
10	-	Yoke, cathode ray tube	3	

**ELECTRICS**



Instruments & Controls  
 RHD & LHD - Instrument Panel  
 Cars from 1986







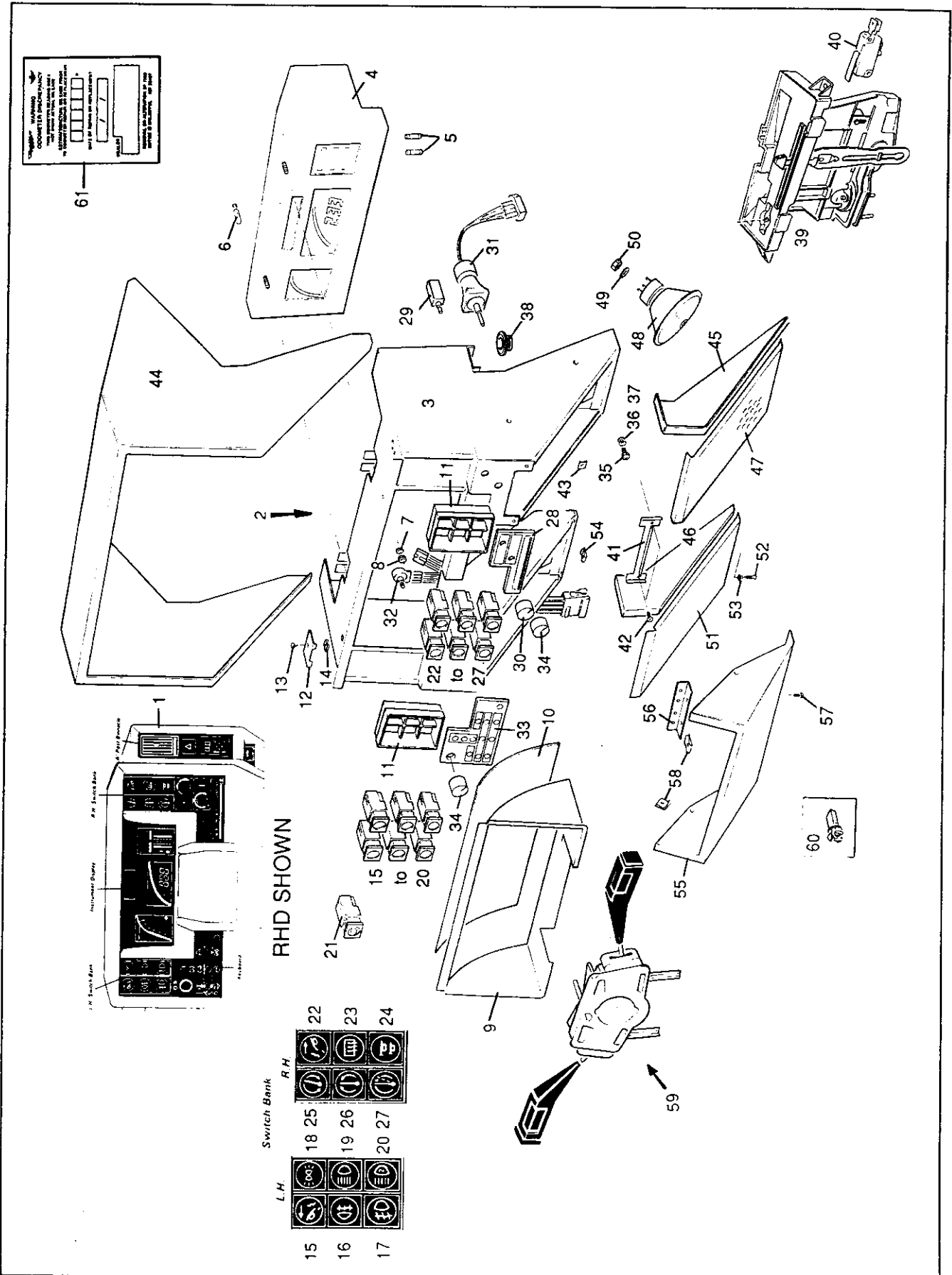
**ELECTRICS**

**Instruments & Controls  
RHD & LHD - Instrument Panel  
Cars from 1986**

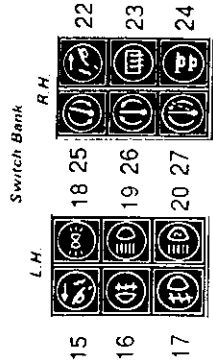
Illus No.	Part Number	Description	Qty	Remarks
1	-	Side binnacle assembly	1	See section 6.1H
2	38.22448	Instrument binnacle complete, MPH	1	English English. Optional French German Arabic USA European USA <span style="font-size: 2em; vertical-align: middle;">}</span> Early cars <span style="font-size: 2em; vertical-align: middle;">}</span> Later cars from approx. 13541
-	50.22994	Instrument binnacle complete, KPH	1	
-	38.22449	Instrument binnacle complete, KPH	1	
-	38.22450	Instrument binnacle complete, KPH	1	
-	38.22451	Instrument binnacle complete, KPH	1	
-	38.22452	Instrument binnacle complete, MPH	1	
-	38.25414	Instrument binnacle complete	1	
-	38.25415	Instrument binnacle complete	1	
3	69.21614	Binnacle frame	1	
4	38.26807	Instrument centre unit	1	
5	-	Fuse, 5A	2	
6	693372	Bulb, green, 12V 12W	4	
7	692055	Washer, plain, M5	4	} Alternative fixings. } Instrument centre unit } to } binnacle frame
8	692800	Nut, Nyloc, M5	4	
-	692065	Washer, shakeproof, M5	4	
-	692075	Nut, plain, M5	4	
9	69.21955	Binnacle finisher assembly	1	} Finisher to } binnacle frame
-	692054	Washer, plain, M4	2	
-	692314	Nut, Nyloc, M4	2	
10	69.22438	Instrument screen	1	
11	37.21845	Switch housing	2	
12	69.21615	Retaining plate, switch housing	2	
13	691782	Screw, PK, No. 6 x 3/8 in.	2	
14	692172	Clip, spire, No.6	2	
15	37.21846	Switch, fuel filler flap, LH	1	
16	37.21848	Switch, rear fog lamps	1	Not USA
17	37.21847	Switch, front fog lamps	1	
18	37.21849	Switch, side lights	1	
19	37.21850	Switch, headlights	1	
20	37.21858	Switch, spot lamps	1	
21	37.22499	Switch, spare	1	USA
22	37.21852	Switch, fuel filler flap, RH	1	
23	37.21851	Switch, rear window demist	1	
24	37.21854	Switch, horn change	1	
25	37.21855	Switch, cruise control on/off	1	
26	37.21856	Switch, cruise control engage	1	
27	37.21857	Switch, cruise control resume	1	
28	38.22132	Switch panel, RH	1	See section 6.3D for harness
29	37.20765	Switch kit, wiper delay	1	Modify to suit car
30	37.21868	Knob, round, black, 4.1 mm spindle	1	} Wiper } delay
-	-	Grubscrew, 4BA	1	
31	37.26100	Heat control switch	1	
32	38.26321	Dimmer switch and harness assembly	1	
33	38.22131	Switch panel, LH	1	See section 6.3D for harness
-	692054	Washer, plain, M4	1	} Switch panel } to binnacle frame
-	692314	Nut, Nyloc, M4	1	
34	37.21869	Knob, round, black, 6.5 mm spindle	2	} Dimmer and } heat control switches
-	-	Grubscrew, 4BA	2	

**ELECTRICS**

Instruments & Controls  
 RHD & LHD - Instrument Panel  
 Cars from 1986



RHD SHOWN





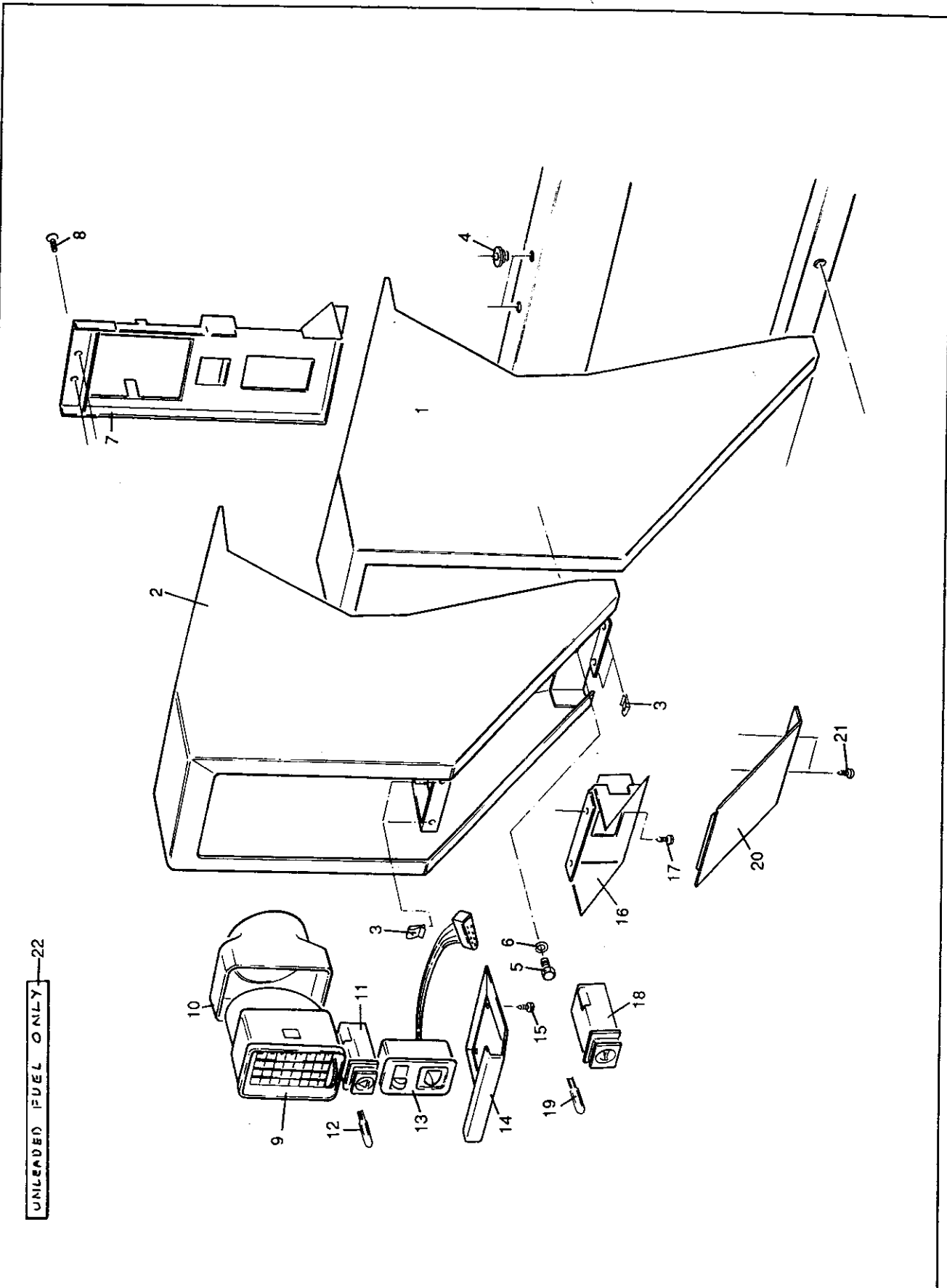
**ELECTRICS**

**Instruments & Controls  
RHD & LHD - Instrument Panel  
Cars from 1986**

Illus No.	Part Number	Description	Qty	Remarks
35	692090	Screw, M5 x 12	2	} Binnacle assembly to dash cross tubes
36	692045	Washer, spring, M5	2	
37	692055	Washer, plain, M5	2	
38	692266	Grommet	2	
39	89.11383	Control head, air conditioning	1	Modify to suit car
-	89.13578	Microswitch mounting bracket	1	
40	095.038.0107	Microswitch	1	
-	691160	Screw, 6BA x 3/4 in.	2	
-	691349	Washer, plain, 6BA	4	
-	691347	Nut, 6BA	2	
-	89.22126	Mounting bracket assembly	1	Control head
-	692044	Washer, spring, M4	3	} Mounting bracket to dash cross tubes
-	692126	Screw, M4 x 8	3	
41	69.21957	Finisher	1	
42	691782	Screw, PK, No. 6 x 3/8 in.	2	} Finisher to binnacle frame
43	692172	Clip, spire, No.6	2	
44	69.21967	Cover, instrument binnacle	1	
-	693391	Chipfoam, 6 mm strip	as reqd	Front edge of cover
-	692090	Screw, M5 x 12	4	} Cover to binnacle frame assembly
-	692045	Washer, spring, M5	4	
-	692055	Washer, plain, M5	4	
45	69.21992	Trim panel, side, inner, RH	1	
46	69.21993	Trim panel, side, inner, LH	1	
-	693391	Chipfoam, 6 mm	as reqd	
47	69.21617	Binnacle finisher panel, RH	1	
48	37.13239	Speaker	1	
49	692054	Washer, plain, M4	4	} Speaker to finisher panel
50	692314	Nut, Nyloc, M4	4	
51	69.21657	Binnacle finisher panel, LH	1	
52	526.000.0210	Screw, No.6 x 5/8 in.	4	} Finisher panels to binnacle frame assembly
53	112183	Cupwasher, No.6	4	
54	692172	Clip, spire, No.6	4	
55	69.22135	Trim panel, centre	1	
56	69.22134	Mounting angle, centre trim panel	1	
57	691782	Screw, PK, No. 6 x 3/8 in.	4	
58	692172	Clip, spire, No.6	4	
59	-	Switches and housing, steering column	-	See section 4.3C
60	37.21874	Sensor, external air temperature	1	
61	97.26457	Label, odometer discrepancy	1	USA cars. Fixed to driver's side 'B' post
-	694920	Special marker pen for label	-	

# ELECTRICS

Instruments & Controls  
RHD & LHD - Instrument Side Binnacle  
Cars from 1986



UNLEADED FUEL ONLY 22



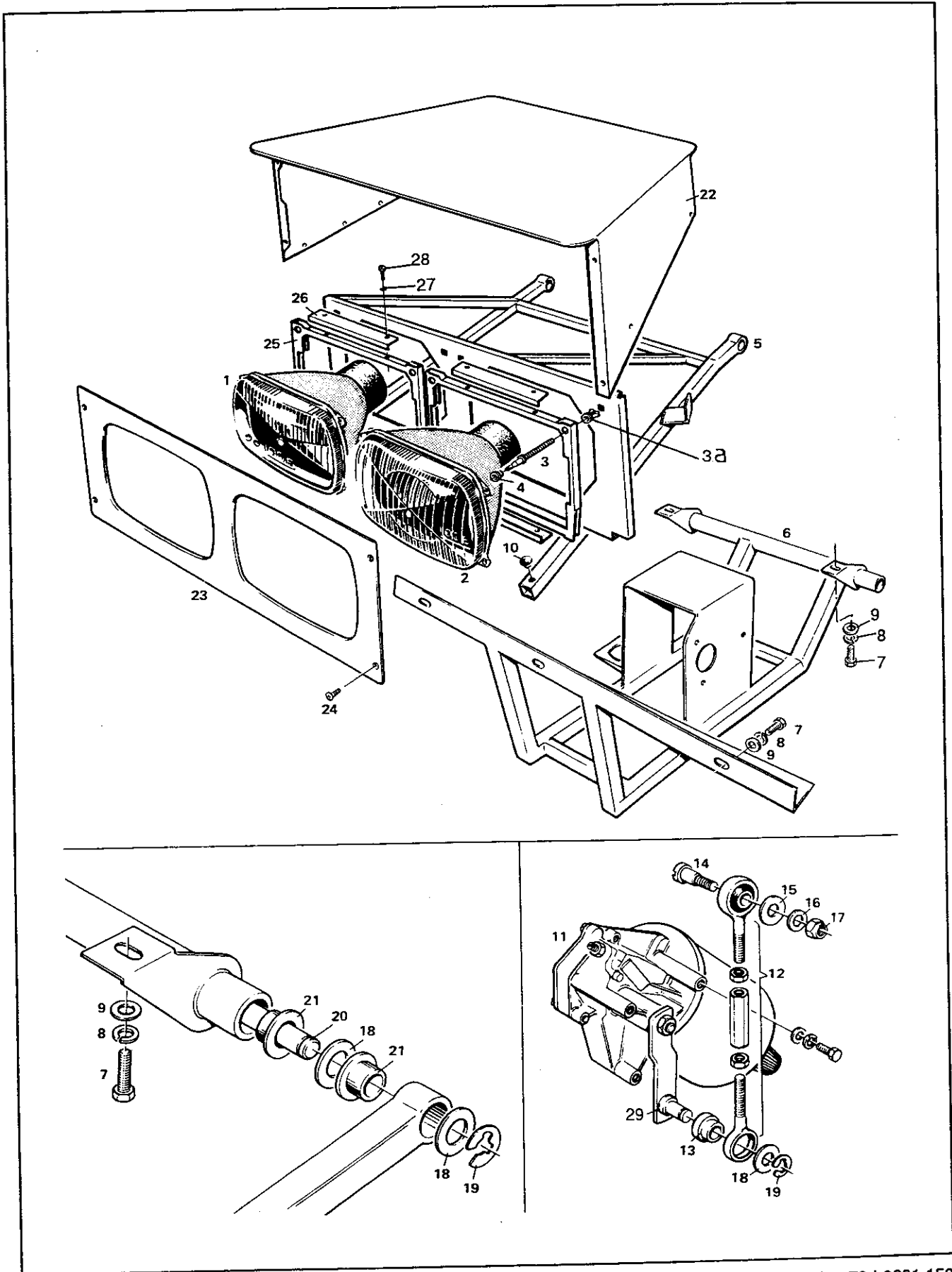
**ELECTRICS**

**Instruments & Controls**  
**RHD & LHD - Instrument Side Binnacle**  
**Cars from 1986**

Illus No.	Part Number	Description	Qty	Remarks
1	-	Instrument binnacle assembly	1	See section 6.1G
2	69.22160	Cover assembly, switches	1	
3	692172	Clip, spire, No.6	10	
4	692266	Grommet	2	} Cover } to } dash cross tubes
5	692090	Screw, M5 x 12	1	
6	692045	Washer, spring, M5	1	
7	69.22164	Facia plate	1	
-	69.24028	Facia plate	1	RHD Cars from
-	69.24029	Facia plate	1	LHD chassis no. 13540
8	691782	Screw, PK, No. 6 x 3/8 in.	4	Facia plate to cover
9	69.21987	Air outlet	1	
10	89.22148	Adaptor, air trunking to outlet	1	
11	37.21853	Switch, hazard warning	1	
12	693371	Bulb, red, 12V 12W	1	
-	693372	Bulb, green, 12V 12W	1	
13	37.22485	Door mirror switch	1	
14	69.22346	Finisher, switch housing	1	
15	691782	Screw, PK, No. 6 x 3/8 in.	2	Finisher attach to cover
16	69.22343	Housing, bonnet switch	1	
17	691782	Screw, PK, No. 6 x 3/8 in.	2	Housing attach to cover
18	37.22483	Switch, bonnet release	1	
19	693372	Bulb, green, 12V 12W	1	
20	69.22348	Finisher, bonnet switch housing	1	
21	691782	Screw, PK, No. 6 x 3/8 in.	2	} Finisher attach to cover } USA cars
22	97.25469	Label, 'Unleaded fuel only'	1	

# ELECTRICS

## Lamps and Bulbs Retractable Headlamps





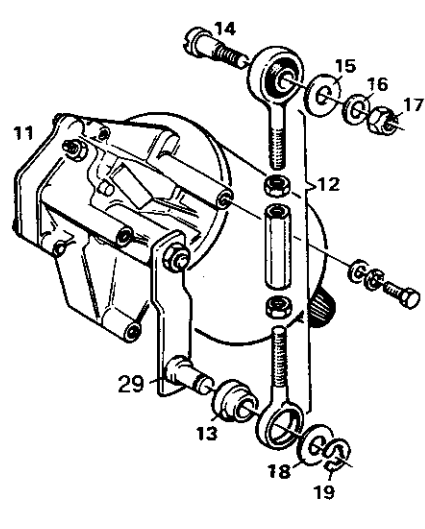
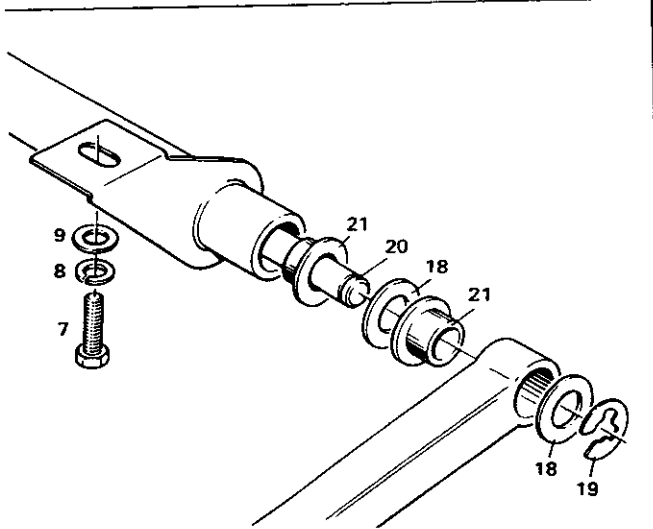
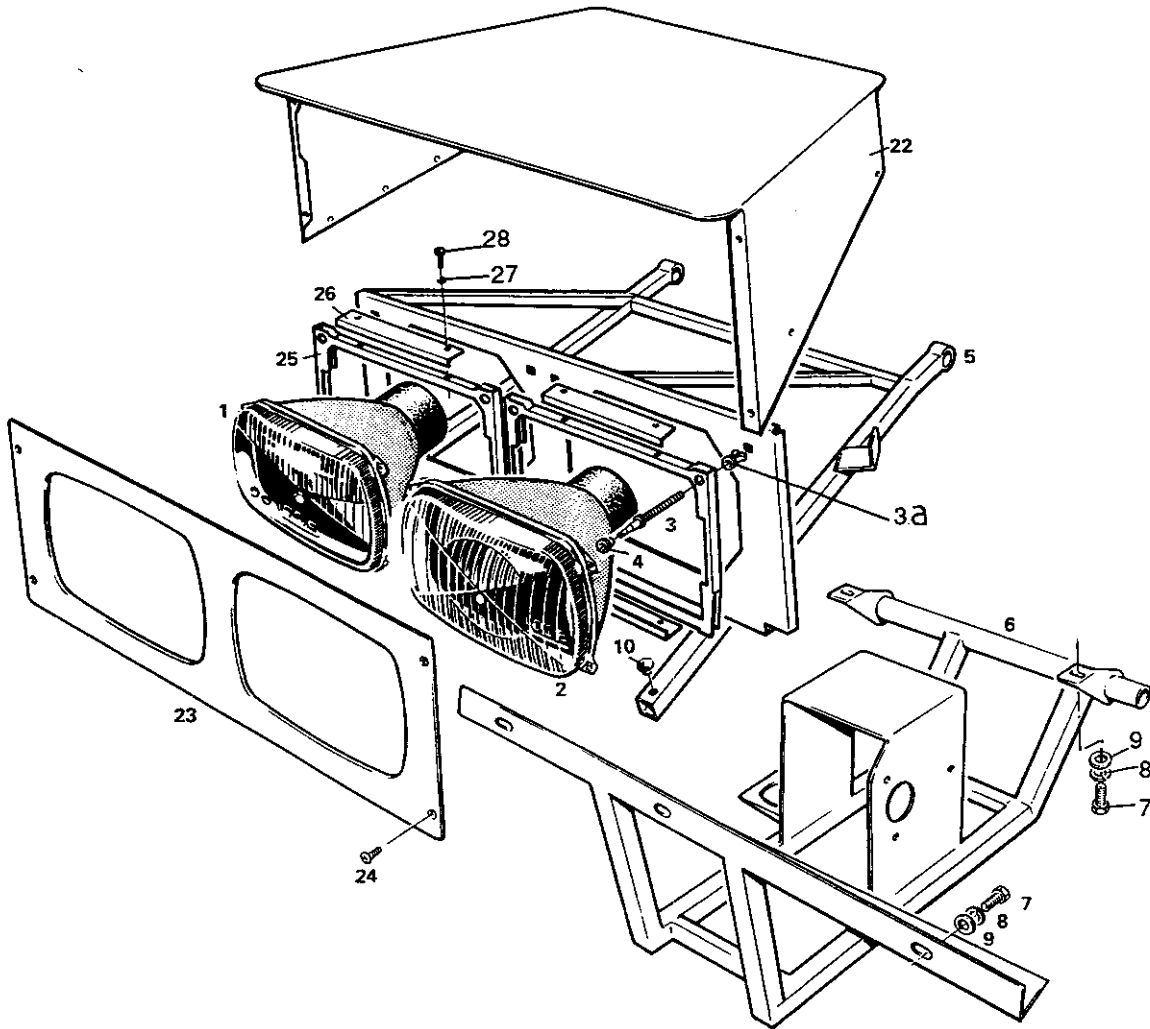
**ELECTRICS**

**Lamps and Bulbs  
Retractable Headlamps**

Illus No.	Part Number	Description	Qty	Remarks
1	37.10089	Headlamp, dip beam	2	RHD
-	37.10091	Headlamp, dip beam	2	LHD
2	37.10090	Headlamp, main beam. Later supplies are H4. See below	2	Cars up to chassis no. 13209; except 13206 } French cars } LHD. Yellow } For later } 37.10090 lamps } Cars from chassis no. 13210; including 13206 } Cars up to chassis no. 13209; except 13206 } Cars from chassis no. 13210; including 13206 } All cars } Cars up to chassis no. 13209; except 13206 } Cars from chassis no. 13210; including 13206
-	37.16905	Headlamp, dip beam	2	
-	37.16906	Headlamp, main beam	2	
-	691312	Wiring terminal, headlamps	8	
-	37.13274	Bulb, clear, H1, 12V 55W	4	
-	095.037.0708	Bulb, clear, H4, 12V 60/55W	1	
-	37.18977	Lead, headlamp	1	
-	37.17678	Headlamp	4	
-	37.17679	Headlamp	4	
-	37.17680	Headlamp	4	
-	095.037.0708	Bulb, clear, H4, 12V 60/55W	4	
-	37.17681	Bulb, yellow, H4, 12V 60/55W	4	
-	692515	Headlamp adjusting screw	12	
3	692753	Headlamp adjusting screw	12	} Cars from chassis no. 13210; including 13206
3A	692752	Nut, plastic	12	
4	37.10094	Grommet, plastic	12	All cars
5	70.10878	Frame, upper, RH	1	} Cars up to chassis no. 13209; except 13206
-	70.10879	Frame, upper, LH	1	
6	70.10868	Frame, lower, RH	1	} Cars from chassis no. 13210; including 13206
-	70.10869	Frame, lower, LH	1	
-	70.17464	Frame, upper, RH	1	} Cars from chassis no. 13210; including 13206
-	70.17465	Frame, upper, LH	1	
-	70.17432	Frame, lower, RH	1	
-	70.17677	Frame, lower, LH	1	
7	692146	Screw, M6 x 20	10	
8	692580	Washer, spring, M6	10	
9	692056	Washer, plain, M6	10	
10	690751	Buffer	4	
11	70.10887	Headlamp lift motor	2	} Supplied with lift motor
-		Screw	6	
-		Washer, spring	6	
-		Washer, plain	6	
-		Harness, headlamp box. See section 6.3D	2	Motor and headlamps
-	692205	Pop rivet, 1/8 in. dia. x 3/8 in.	8	Harness block to lower frame
-	37.14354	Bonnet lamp lead	1	
12	70.10893	Link	2	} Supplied as one unit
13	692147	Bush	2	
14	70.10894	Shoulder bolt	2	} Link to upper frame
15	692057	Washer, plain, M6	2	
16	692046	Washer, spring, M6	2	
17	692151	Nut, Nyloc, M6	2	
18	692148	Washer, plain, 7/16 in. ID.	6	
19	692149	Circlip	6	
20	70.10886	Pivot rod	2	
21	692150	Pivot bush	8	

# ELECTRICS

## Lamps and Bulbs Retractable Headlamps







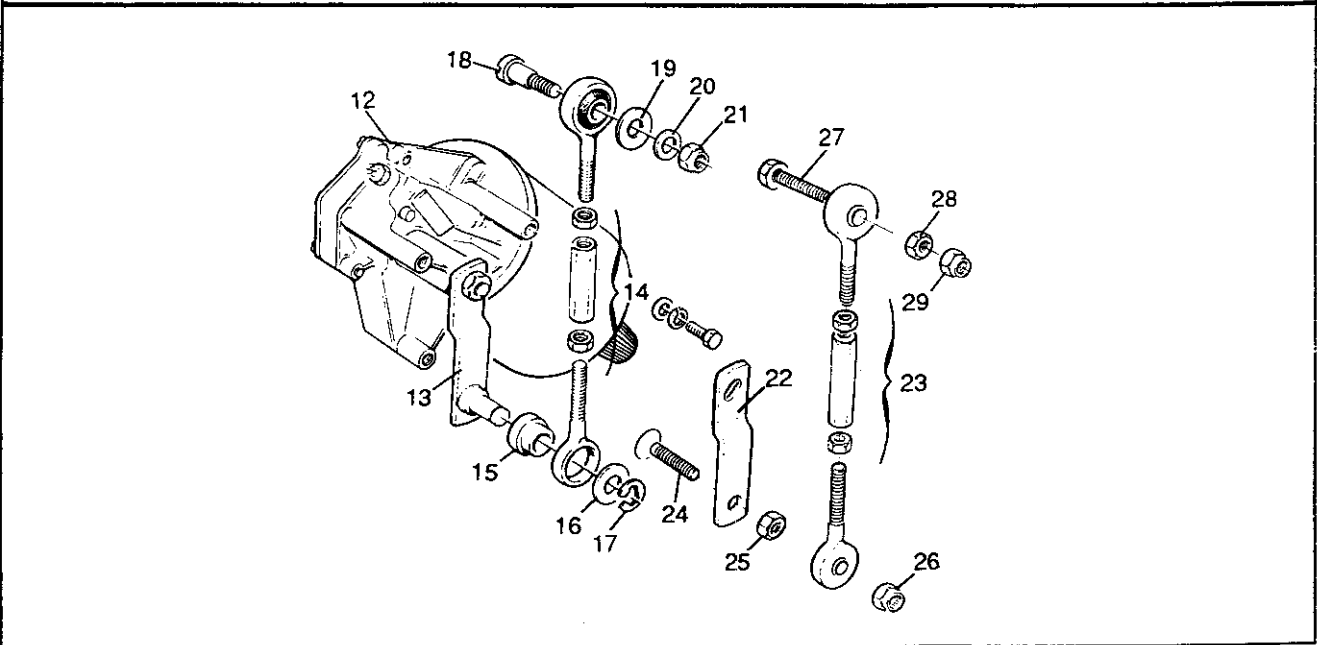
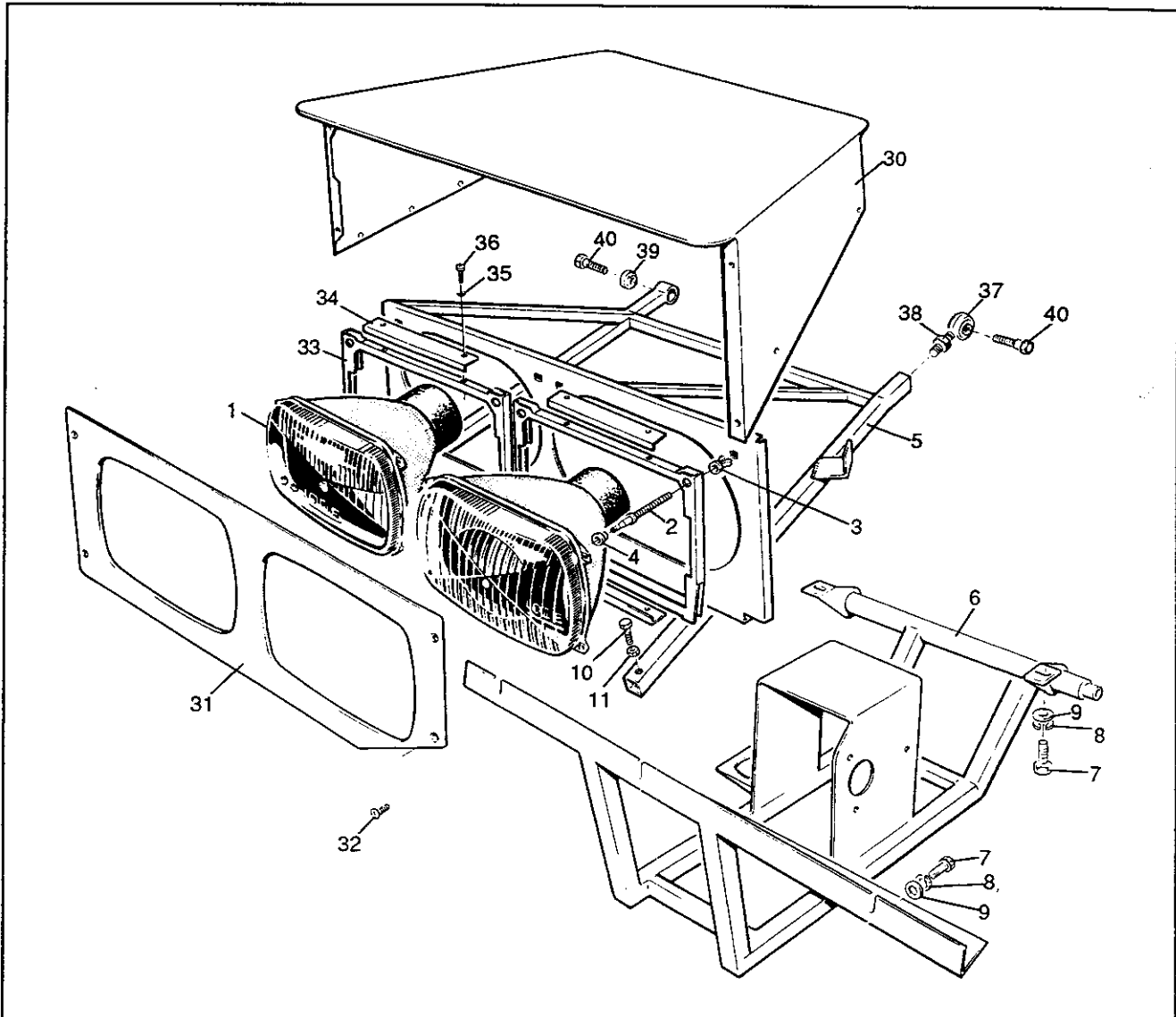
**ELECTRICS**

**Lamps and Bulbs  
Retractable Headlamps**

Illus No.	Part Number	Description	Qty	Remarks
22	70.20174	Headlamp lid, RH	1	
-	70.20175	Headlamp lid, LH	1	
-	582.000.2829	Rivet, countersunk, 1/8 in. dia.	32	
-	64.10210	Bonnet assembly	1	See section 7 also
23	70.10884	Headlamp front cover, RH	1	} Cars up to chassis no. 13209; } except 13206
-	70.10885	Headlamp front cover, LH	1	
-	70.17748	Headlamp, front cover, RH	1	} Cars from chassis no. 13210; } including 13206
-	70.17749	Headlamp, front cover, LH	1	
24	691782	Screw, PK, No 6 x 3/8 in.	10	
-	692172	Spire clip	10	
25	70.17695	Headlamp mounting plate	4	} Cars from } chassis no.
26	70.17751	Headlamp securing strip	8	
27	692044	Washer, spring, M4	16	} 13210; } including 13206
28	692126	Screw, M4 x 8	16	
29	70.18661	Headlamp motor crank	2	

# ELECTRICS

## Lamps and Bulbs Retractable Headlamps





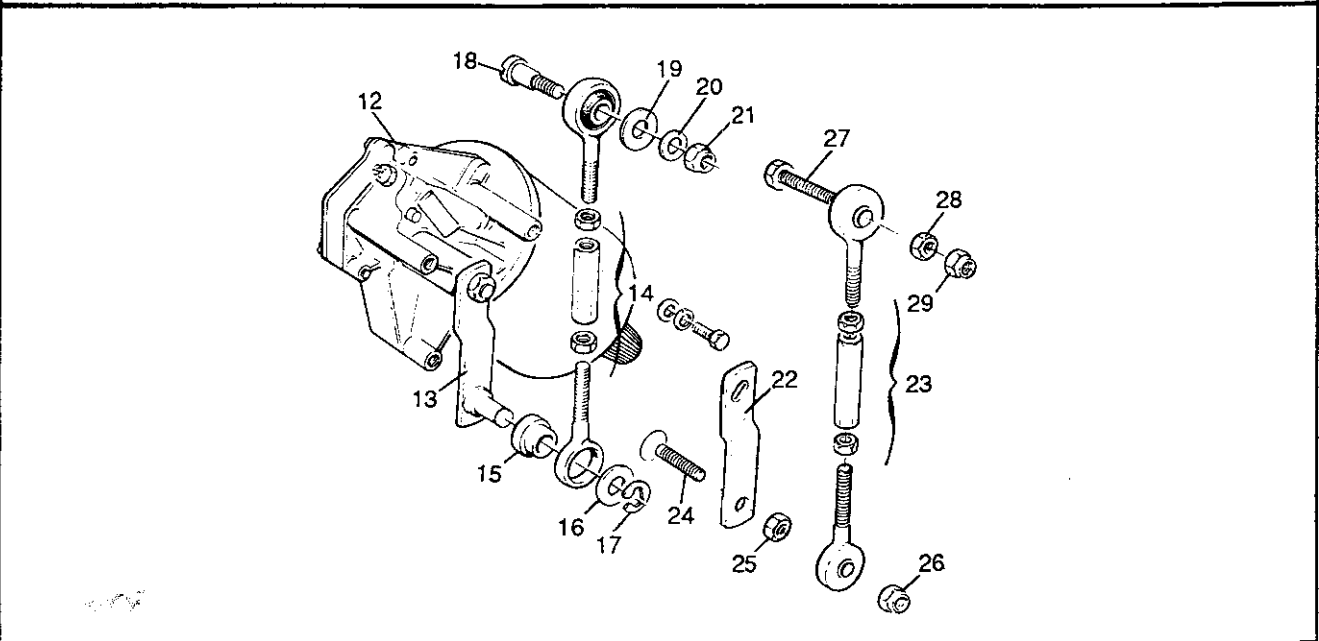
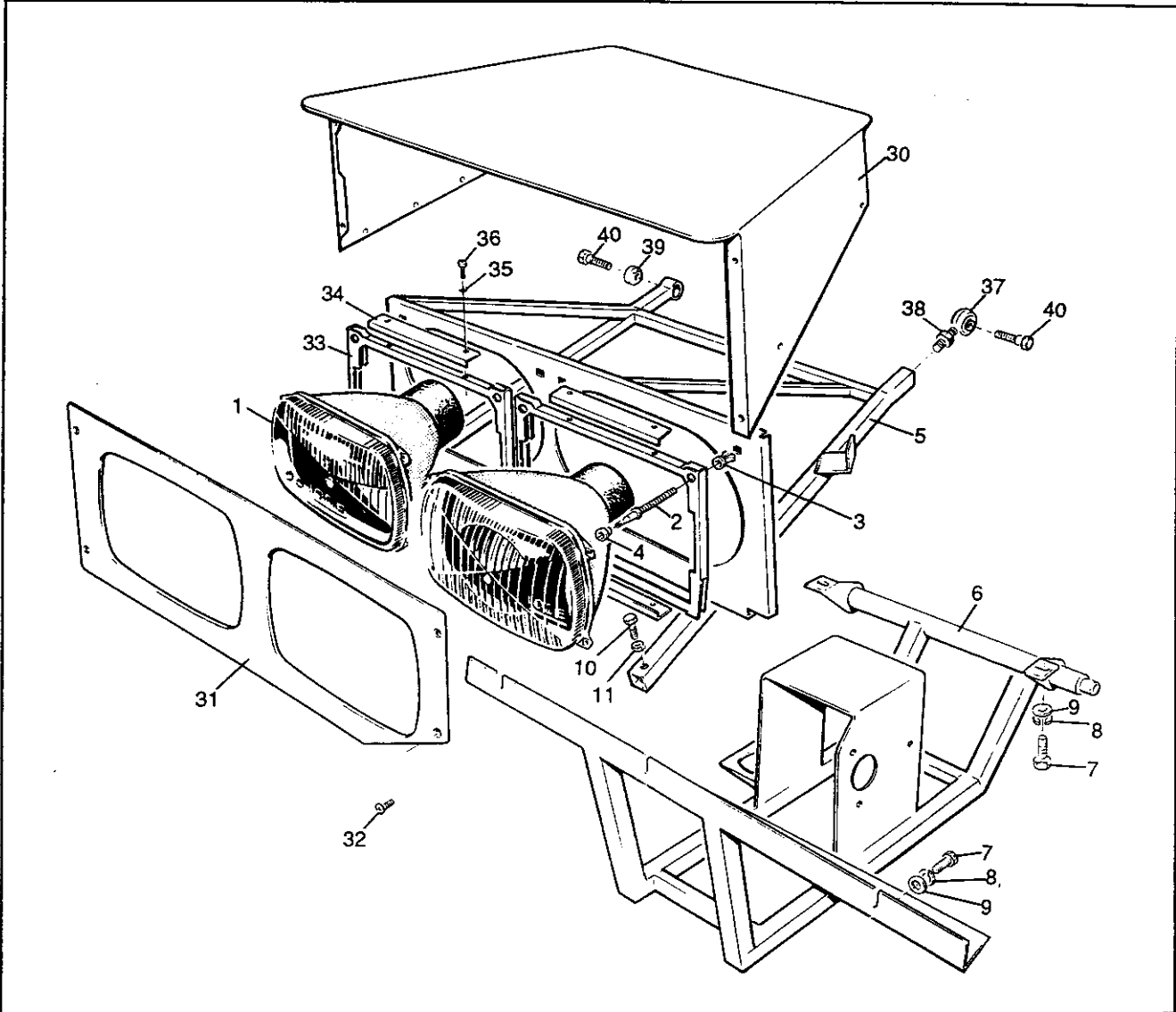
**ELECTRICS**

**Lamps and Bulbs  
Retractable Headlamps**

Illus No.	Part Number	Description	Qty	Remarks
1	37.17678	Headlamp	4	RHD
-	37.17679	Headlamp	4	LHD
-	37.17680	Headlamp	4	USA cars
-	37.19978	Headlamp, sealed beam	4	USA cars from chassis no. 13372. (Front panel of upper frames modified to suit)
-	095.037.0708	Bulb, clear, H4, 12V 60/55W	4	
-	37.17681	Bulb, yellow, H4, 12V 60/55W	4	French cars.
2	692753	Headlamp adjusting screw	12	
3	692752	Nut, plastic	12	
4	37.10094	Grommet, plastic	12	
5	70.18648	Frame, upper, RH	1	} Cars from chassis no. 13292, approx.
-	70.18649	Frame, upper, LH	1	
6	70.19036	Frame, lower, RH	1	
-	70.19037	Frame, lower, LH	1	
7	692146	Screw, M6 x 20	10	
8	692580	Washer, spring, M6	10	
9	692056	Washer, plain, M6	10	
10	692315	Screw, M4 x 16	4	} Frame adjustable
11	692074	Nut, plain, M4	4	
-	692184	'Loctite'	as reqd	} stop
12	70.10887	Headlamp lift motor	2	
-		Screw	6	} Supplied with lift motor
-		Washer, spring	6	
-		Washer, plain	6	
-		Harness, headlamp box. See section 6.3D	2	Motor and headlamps
-	692205	Pop rivet, 1/8 in. dia. x 3/8 in.	8	Harness block to lower frame
-	37.14354	Bonnet lamp lead	1	
13	70.18661	Headlamp motor crank	2	} Up to chassis no. 13399, approx.
14	70.10893	Link, supplied as one unit	2	
15	692147	Bush	2	
16	692148	Washer, plain, 7/16 in. ID.	2	
17	692149	Circlip	2	
18	70.10894	Shoulder bolt	2	
19	692057	Washer, plain, M6	2	
20	692046	Washer, spring, M6	2	
21	692151	Nut, Nyloc, M6	2	
22	70.19608	Headlamp motor crank	2	
23	70.19607	Link, supplied as one unit	2	} Link to upper frame
24	692195	Screw, M6 x 25, countersunk head	2	
25	692076	Nut, M6	2	
26	692151	Nut, Nyloc, M6	2	
27	692298	Screw, M6 x 40	2	
28	692076	Nut, M6	2	} Link to upper frame
29	692151	Nut, Nyloc, M6	2	
30	70.20174	Headlamp lid, RH	1	
-	70.20175	Headlamp lid, LH	1	
-	582.000.2829	Rivet, countersunk, 1/8 in. dia.	32	
-	64.10210	Bonnet assembly	1	See section 7 also
31	70.18922	Headlamp, front cover, RH	1	} Cars from chassis no. 13292, approx.
-	70.18923	Headlamp, front cover, LH	1	

# ELECTRICS

## Lamps and Bulbs Retractable Headlamps





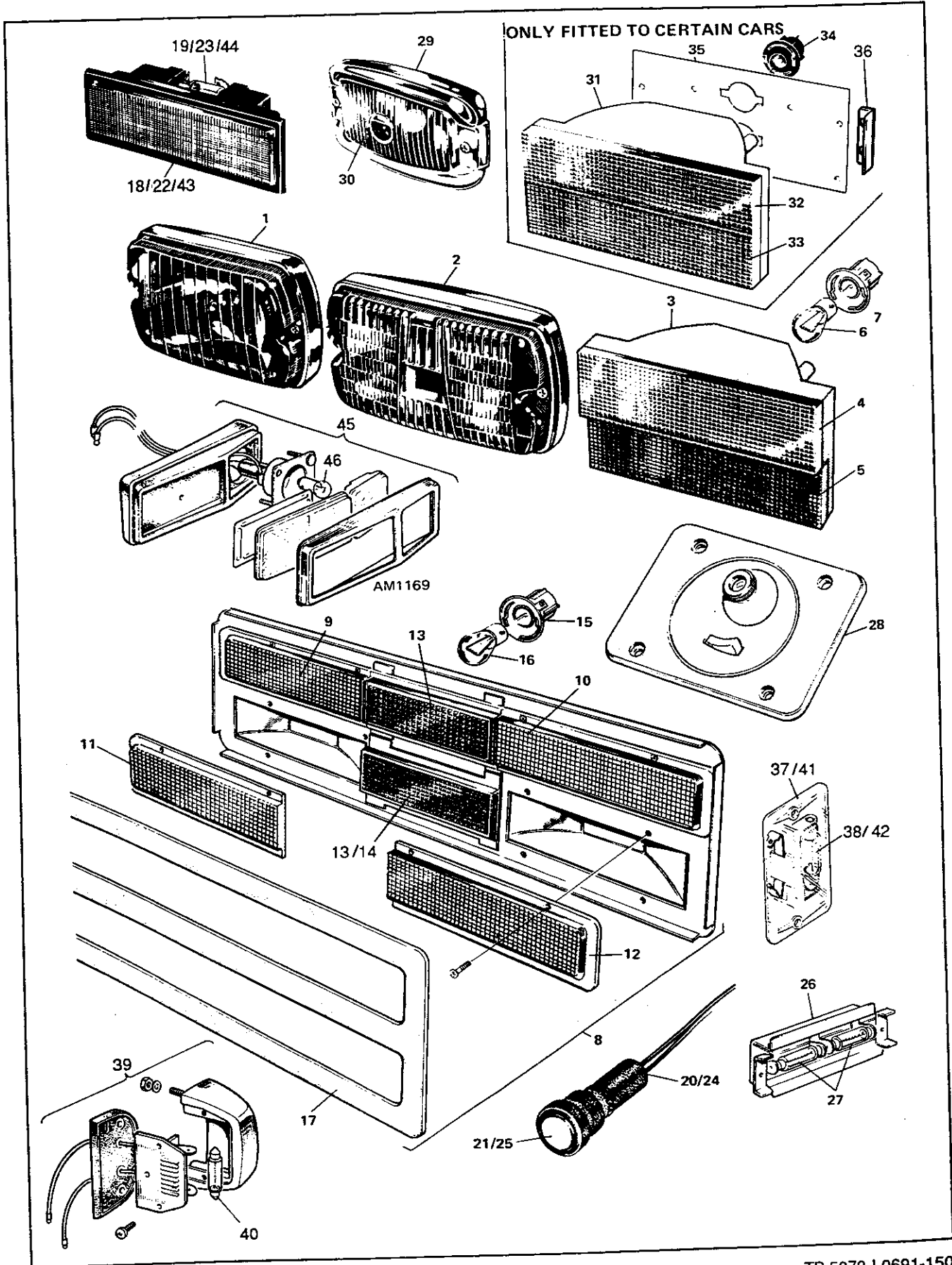
**ELECTRICS**

**Lamps and Bulbs  
Retractable Headlamps**

Illus No.	Part Number	Description	Qty	Remarks
32	691782	Screw, PK, No 6 x 3/8 in.	10	} USA cars from chassis no. 13372
-	692172	Spire clip	10	
33	70.17695	Headlamp mounting plate	4	
34	70.17751	Headlamp securing strip	8	
-	70.19980	Headlamp mounting plate, inner, RH	1	
-	70.19982	Headlamp mounting plate, outer, RH	1	
-	70.19979	Headlamp mounting plate, inner, LH	1	
-	70.19981	Headlamp mounting plate, outer, LH	1	
-	70.19986	Headlamp securing strip	8	
-	690262	Beading	42 in.	
35	692044	Washer, spring, M4	16	
36	692126	Screw, M4 x 8	16	
37	70.18983	Rod end bearing	2	
38	692077	Nut, plain, M8	2	
39	70.18982	Spherical bearing	2	
-	692184	'Loctite'	as reqd	
40	70.18984	Pivot bolt	4	

# ELECTRICS

## Lamps and Bulbs Rear Lights, Spot Lights, Indicator & Auxiliary Lamps

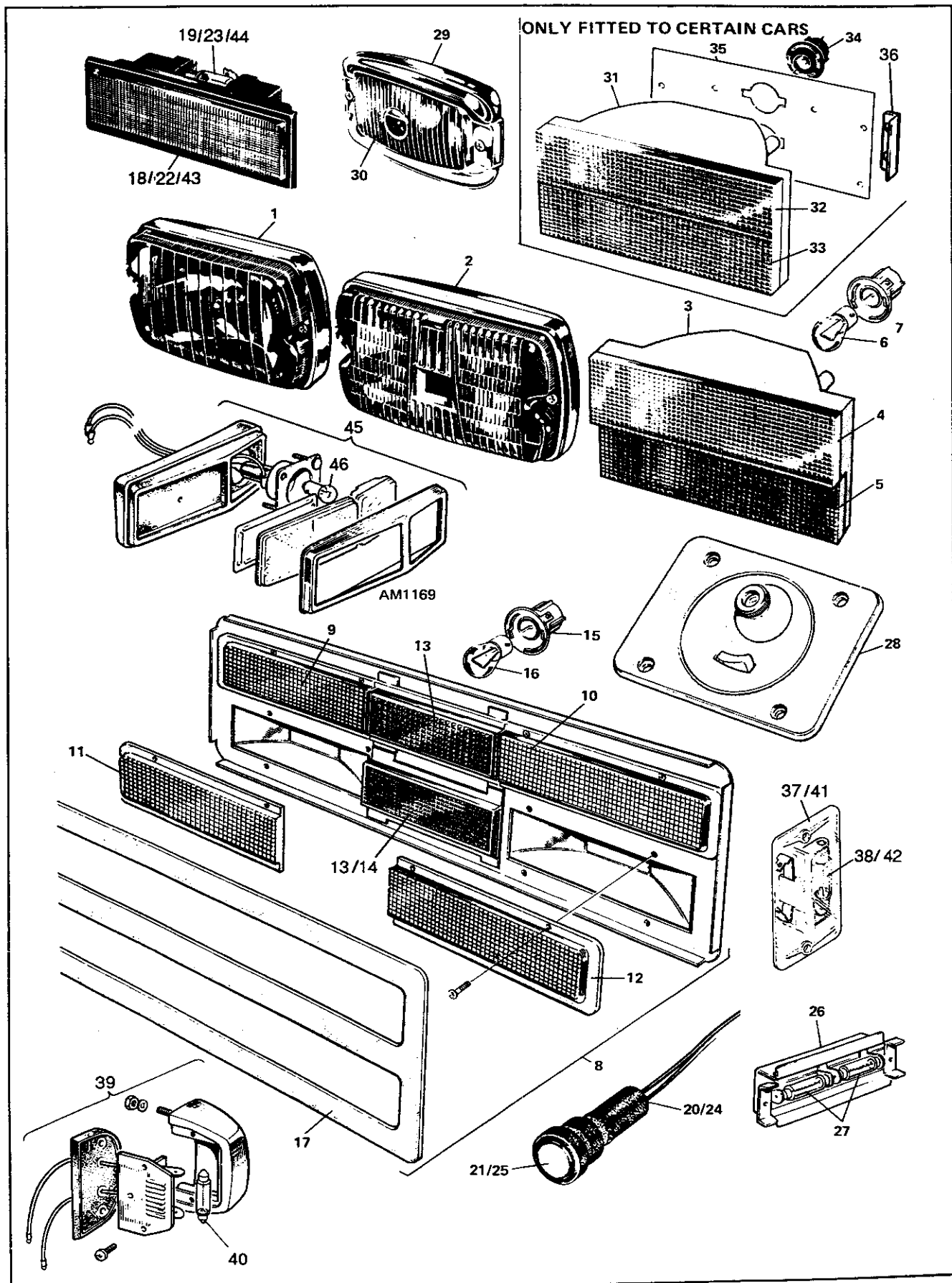


**ELECTRICS****Lamps and Bulbs****Rear Lights, Spot Lights, Indicators & Auxillary Lamps**

Illus No.	Part Number	Description	Qty	Remarks
1	37.10093	Driving/spot lamp	2	
2	37.10092	Fog lamp	2	
-	37.16966	Driving/spot lamp	2	Yellow, France LHD
-	37.16967	Fog lamp	2	Yellow, France LHD
-	37.13275	Bulb, H2, 12V 55W	4	} All cars
-	691312	Wiring terminal	4	
-	692811	Grommet, lamp leads through chassis panel	2	Later lamps/cars
-	37.11066	Side and indicator lamp, RH	1	
-	37.17802	Side and indicator lamp, RH	1	USA cars
-	96.14799	Lens, white	1	
-	37.18605	Lens, white	1	USA cars
-	96.14800	Lens, amber	1	
-	37.18606	Lens, amber	1	USA cars
3	37.11067	Side and indicator lamp, LH	1	
-	37.17803	Side and indicator lamp, LH	1	USA cars
4	96.14801	Lens, white	1	
-	37.18605	Lens, white	1	USA cars
5	96.14802	Lens, amber	1	
-	37.18606	Lens, amber	1	USA cars
6	048.037.0835	Bulb, side, 12V 5W	2	} 1 of each required per lamp
-	020.037.0704	Bulb, flasher indicator, 12V 21W	2	
7	37.11065	Bulb holder, side	2	
-	37.11068	Bulb holder, indicator	2	
-	692595	Screw, tapite, M5 x 16	8	} Lamp fixing
-	692045	Washer, spring, M5	8	
-	37.11008	Rear lamp assembly, RH	1	Up to approx. chassis no. 13028. Aluminium casing
8	37.15646	Rear lamp assembly, RH	1	From approx. chassis no 13029
-	37.17160	Rear lamp assembly, RH	1	Dutch cars from 1981. No reflectors fitted to lamp
-	37.17800	Rear lamp assembly, RH	1	USA cars
9	96.14785	Lens, white	1	
-	37.18531	Lens, white	1	USA cars
10	96.14786	Lens, amber	1	
-	37.18530	Lens, amber	1	USA cars
11	96.14787	Lens, red	1	Rear fog light - not USA cars
-	37.18532	Lens, red	1	Stop light - USA cars
12	96.14788	Lens, red	1	Stop/tail light
-	37.18535	Lens, red	1	Stop/tail light - USA cars
13	96.14789	Lens, reflector, upper and lower complete	1	
-	37.18533	Lens, reflector, upper and lower complete	1	USA cars
14	-	Lens, reflector, lower	1	Use item 13

# ELECTRICS

## Lamps and Bulbs Rear Lights, Spot Lights, Indicator & Auxiliary Lamps







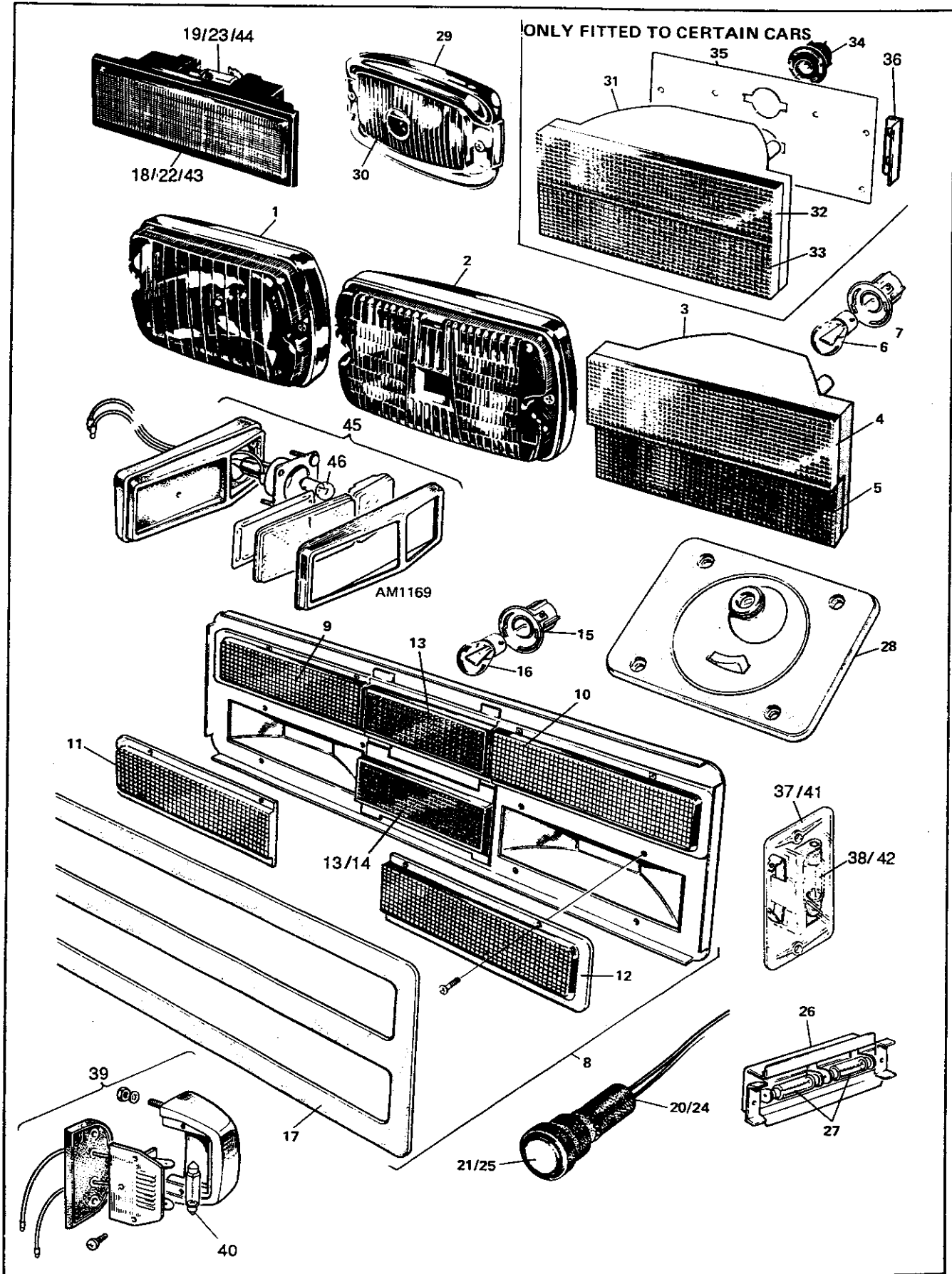
## ELECTRICAL and INSTRUMENTS

Lamps and Bulbs  
Rear Lights, Spot Lights, Indicators & Auxilliary Lamps

Illus No.	Part Number	Description	Qty	Remarks
-	37.11009	Rear lamp assembly, LH	1	Up to approx. chassis no. 13028. Aluminium casing
-	37.15647	Rear lamp assembly, LH	1	From approx. chassis no13029
-	37.17161	Rear lamp assembly, LH	1	Dutch cars from 1981. No reflectors fitted to lamp
-	37.17801	Rear lamp assembly, LH	1	USA cars
-	96.14793	Lens, white	1	
-	37.18531	Lens, white	1	USA cars
-	96.14794	Lens, amber	1	
-	37.18530	Lens, amber	1	USA cars
-	96.14795	Lens, red	1	Rear fog light - not USA cars
-	37.18532	Lens, red	1	Stop light - USA cars
-	96.14796	Lens, red	1	Stop/tail light
-	37.18604	Lens, red	1	Stop/tail light - USA cars
-	96.14797	Lens, reflector, upper and lower complete	1	
-	37.18603	Lens, reflector, upper and lower complete	1	USA cars
15	37.11068	Bulb holder	3 of each	} Reverse, indicator and rear fog. (Stop lights - USA)
16	020.037.0704	Bulb, 12V 21W	per rear lamp	
-	37.25390	Bulbholder, screw fixed	2	Rear fog. Later cars. Not USA
-	96.14791	Bulb holder	1 of each	} Stop/tail light
-	020.037.0703	Bulb, 12V 5/21W	per rear lamp	
17	37.16217	Seal	2	Modify to suit car
-	37.15619	Packing piece	2	} From approx. chassis no. 13029
-	37.15653	Harness, rear fog light	2	
-	37.18015	Harness, extra stop light	2	Up to 1983. Not on USA cars
-	67.11881	Tube assembly, rear lamp	2	USA cars to 1985. (App.13379)
-	67.15460	Clamp assembly, rear lamp	2	Early cars
-	67.11873	Inner support bracket, rear lamp	2	Later cars
-	692298	Screw, M6 x 40	4	} Rear lamp attachments
-	692076	Nut, M6	4	
-	67.16148	Cover plate, rear lamp, RH	1	With cut-out
-	67.16149	Cover plate, rear lamp, LH	1	Without cut-out
-	691782	Screw, PK, No 6 x 3/8 in.	14	
18	37.10809	Puddle lamp, door	4	} Early cars
19	048.037.0836	Bulb, 12V 10W, festoon	4	
20	37.18651	Puddle lamp, door	4	} Remove red lens
21	37.14079	Lens, clear	4	
-	048.037.0841	Bulb, 12V 2.2W	4	} Later cars
22	37.10809	Lamp, door-switch panel	4	
23	048.037.0836	Bulb, 12V 10W, festoon	4	
24	37.18651	Lamp, door edge	4	
25	-	Lens, red	4	
-	048.037.0841	Bulb, 12V 2.2W	4	
26	069.037.0153	Lamp, roof	1	Remove lens
27	020.037.0709	Bulb, 12V 5W, festoon	2	
-	83.12285	Lens, frosted	1	
-	095.069.0154	Spacer	2	
28	37.11070	Lamp, roof, swivel	4	Modify to suit car
-	069.037.0707	Bulb, 12V 5W, capless	4	
29	069.037.0151	Lamp, bonnet	1	
30	069.037.0703	Lens, white	1	
-	069.037.0706	Bulb, 12V 12W, festoon	1	

# ELECTRICS

## Lamps and Bulbs Rear Lights, Spot Lights, Indicator & Auxiliary Lamps



**ELECTRICS****Lamps and Bulbs****Rear Lights, Spot Lights, Indicators & Auxilliary Lamps**

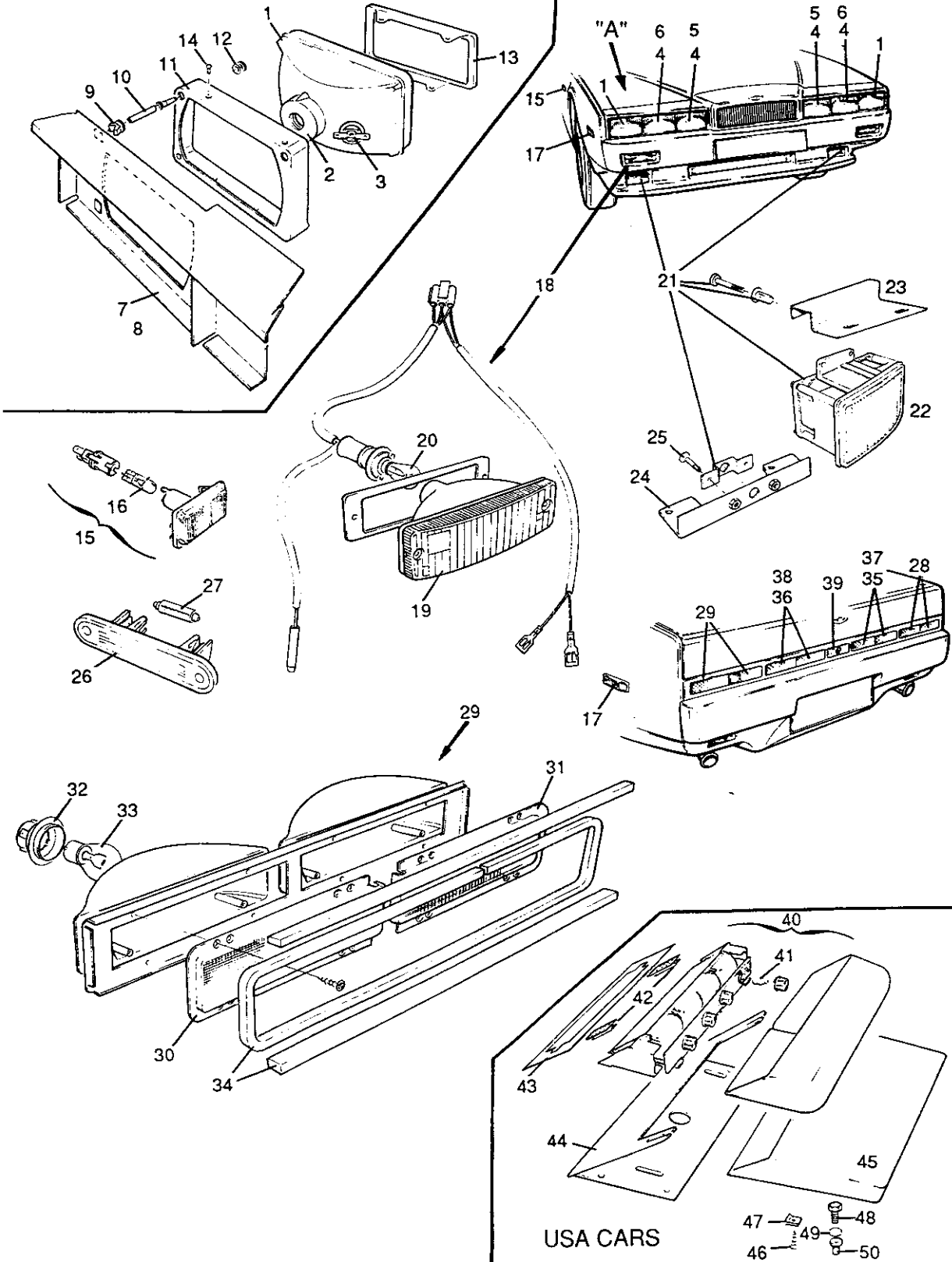
Illus No.	Part Number	Description	Qty	Remarks
31	37.11214	Lamp, rear, boot interior RH	1	} Supplementary rear lights only fitted to certain cars. See also section 7.7A.1
32	96.14803	Lens, amber	1	
33	96.14804	Lens, red	1	
-	37.11215	Lamp, rear, boot interior LH	1	
-	96.14805	Lens, amber	1	
-	96.14806	Lens, red	1	
34	37.11068	Bulb holder	2	
-	020.037.0704	Bulb, 12V 21W	2	
-	37.11065	Bulb holder	2	
-	048.037.0835	Bulb, 12V 5W	2	
35	83.11977	Lamp mounting plate	2	} Indicator light
36	83.11978	Side bracket	4	
37	37.11069	Lamp, number plate	2	Not USA cars
38	020.037.0709	Bulb, 12V 5W, festoon	2	Not USA cars
-	37.12630	Lamp surround, rubber	2	
39	097.037.0002	Lamp, number plate - RH	1	} USA cars
-	097.037.0003	Lamp, number plate - LH	1	
40	020.037.0709	Bulb, 12V 5W, festoon	2	} Up to 1985
41	37.11069	Lamp, instrument	4	
42	38.14224	Bulb, festoon	4	} Standard on USA and Middle East cars.
43	37.10809	Lamp, boot	1	
44	048.037.0836	Bulb, 12V 10W, festoon	1	} Optional for other countries.
-	67.11946	Cover, boot lamp and lock	1	
45	090.050.0107	Lamp, side marker, front, amber	2	} Lamp
-	090.050.0109	Lamp, side marker, rear, red	2	
46	095.037.0702	Bulb, 12V 4W	4	} fixings
-	069.037.0230	Washer	12	
-	069.037.0229	Nut, No.6 UNC	12	

# ELECTRICS

## Lamps and Bulbs Headlamps, Rear Lights, Spot Lights, Indicators & Auxiliary Lamps Later Cars



VIEW ON "A"  
GENERAL VIEW OF HEADLAMP INSTALLATION



USA CARS



## ELECTRICS

**Lamps and Bulbs**  
**Headlamps, Rear Lights, Spot Lights, Indicators & Auxilliary Lamps**  
**Later Cars**

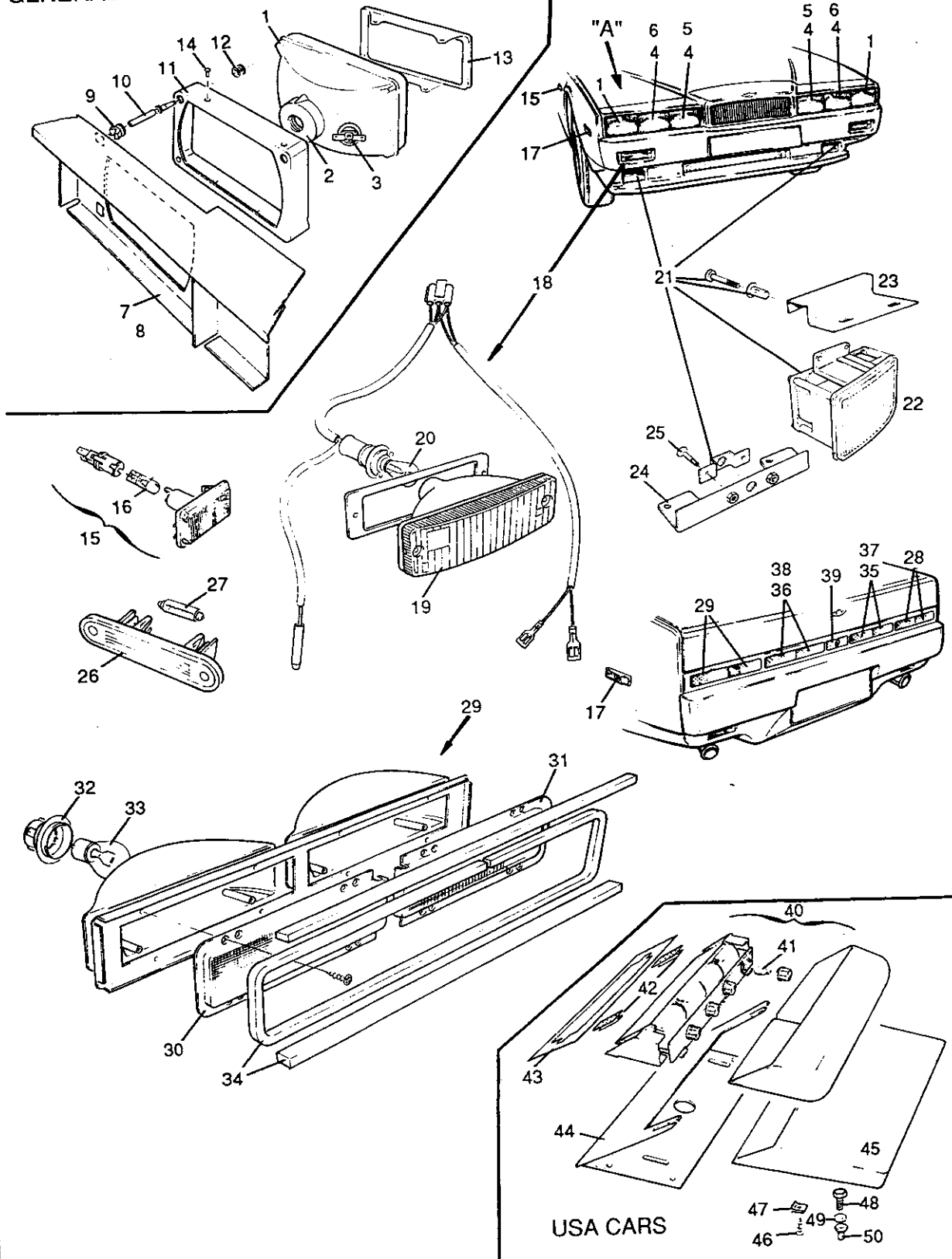
Illus No.	Part Number	Description	Qty	Remarks
1	37.23257	Headlamp, outer; mainbeam, dipbeam and sidelight	2	RHD
-	37.23263	Headlamp, outer; mainbeam, dipbeam and sidelight	2	LHD. Not USA. Use yellow bulbs for France
2	37.23262	Rubber cover	2	Not USA
3	37.23390	Bulbholder, sidelight bulb	2	Not USA
-	095.037.0702	Bulb, 12V 4W, sidelight	2	Not France or USA
-	095.037.0708	Bulb, clear, H4, 12V 60/55W	2	Not France or USA
-	37.17681	Bulb, yellow, H4, 12V 60/55W	2	French cars. Not USA
-	37.23268	Headlamp, outer, sealed beam	2	USA cars
4	37.23256	Headlamp, inner and centre; mainbeam	4	RHD/LHD. Not France, Japan or USA
-	37.23272	Headlamp, inner and centre, mainbeam	4	French cars. Yellow cap
-	37.23261	Rubber cover	4	Not Japan or USA
-	37.13274	Bulb, clear, H1, 12V 55W	4	Not Japan or USA
-	37.23266	Headlamp, inner and centre, sealed; mainbeam	4	USA
5	37.26353	Headlamp, inner, sealed beam	2	} Japan
6	37.26357	Headlamp, centre	2	
-	095.037.0708	Bulb, clear, H4, 12V 60/55W	2	
7	71.22328	Headlamps mounting plate assembly, RH	1	
8	71.22327	Headlamps mounting plate assembly, LH	1	
9	692752	Nut, plastic	18	
10	692753	Headlamp adjusting screw	18	
11	71.22329	Headlamp backing plate	6	
-	693154	Adhesive	as reqd	} Backing plates to headlamps
-	693155	Primer	as reqd	
-	691780	Seal strip	as reqd	
-	693466	Loctite	as reqd	
12	37.10094	Grommet, plastic	18	
13	37.26354	Rim, headlamp	6	} Japan only
14	580.000.2820	Pop rivet, 1/8 in., headlamp rims to backing plates	24	} From April 1986. Standard on European cars. Optional on other countries.
15	37.22302	Lamp, side repeater flasher	2	
16	069.037.0707	Bulb, 12V 5W	2	
17	-	Lamp, side marker, amber or red	4	See section 6.2B.1
18	37.24198	Indicator lamp	2	} Not USA
19	-	Lens, amber	2	
20	020.037.0704	Bulb, 12V 21W	2	} USA cars
-	37.24199	Lamp, indicator and sidelight	2	
-	-	Lens, amber	2	
-	020.037.0703	Bulb, 12V 5/21W	2	} Lamps to front bumper
-	693824	Screw, chrome, M4 x 20	4	
21	37.25582	Fog lamp set and fixings	1 set	} Not France
-	-	Fog lamp, RH	1	
22	-	Fog lamp, LH	1	
-	069.050.0881	Bulb, H3, 12V 55W	2	} French cars
-	691312	Wiring terminal	2	
-	37.25583	Fog lamp set and fixings	1 set	
-	-	Fog lamp, RH	1	
-	-	Fog lamp, LH	1	
-	069.050.0881	Bulb, H3, 12V 55W	2	
-	691312	Wiring terminal	2	

# ELECTRICS

Lamps and Bulbs  
Headlamps, Rear Lights, Spot Lights, Indicators & Auxiliary Lamps  
Later Cars



VIEW ON "A"  
GENERAL VIEW OF HEADLAMP INSTALLATION



USA CARS

**ELECTRICS**

**Lamps and Bulbs  
Headlamps, Rear Lights, Spot Lights, Indicators & Auxiliary Lamps  
Later Cars**

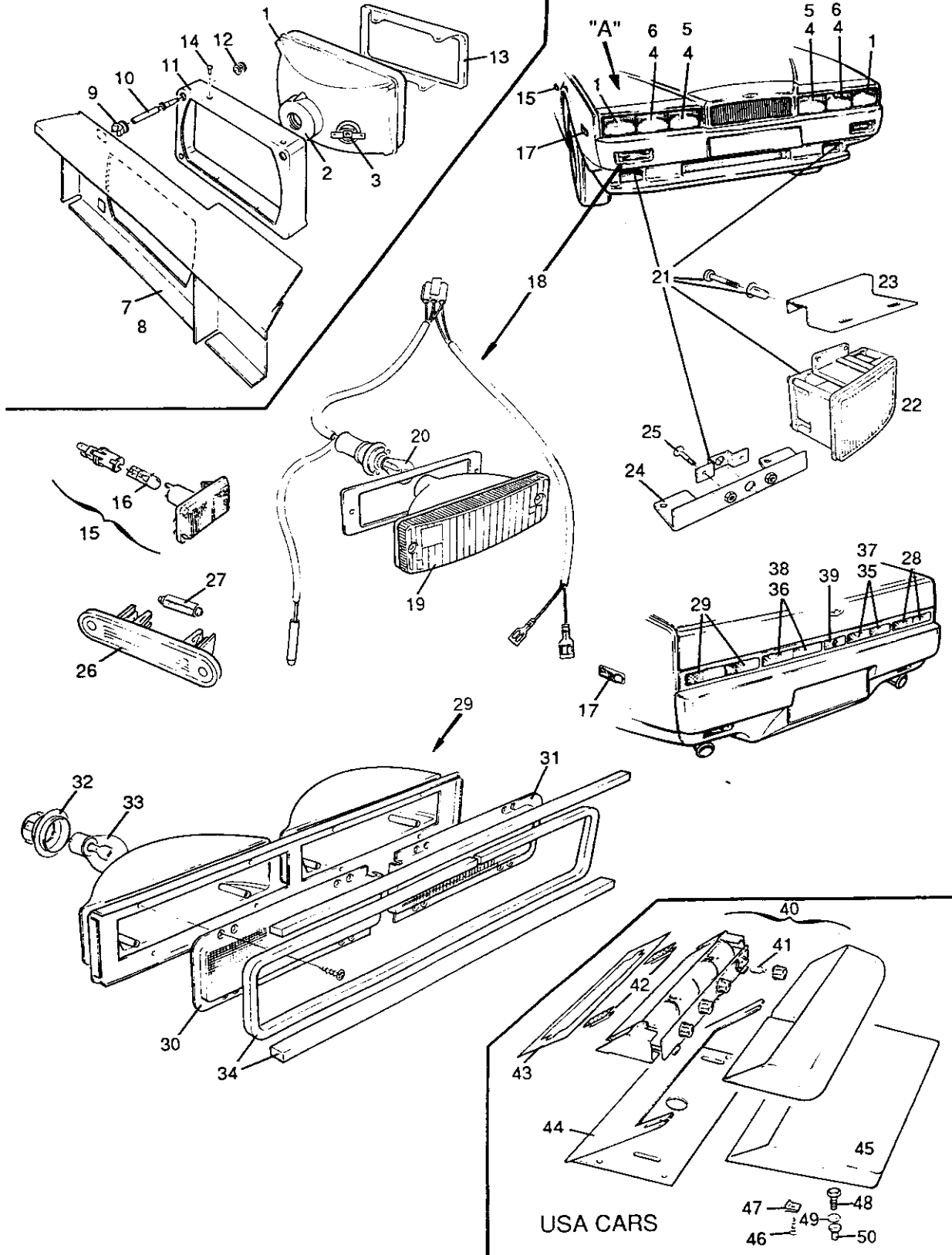
Illus No.	Part Number	Description	Qty	Remarks
-	37.25742	Mounting bracket, upper, fog lamp, RH	1	
23	37.25743	Mounting bracket, upper, fog lamp, LH	1	
-	37.25720	Mounting bracket, lower, fog lamp, RH	1	
24	37.25721	Mounting bracket, lower, fog lamp, LH	1	
-	692065	Washer, shakeproof, M5	8	} Mounting brackets to front undervalance Lamp bracket to lower bracket
-	690257	Washer, plain, 3/16 in.ID.x 3/4 in.OD.	8	
-	692075	Nut, plain, M5	8	
25	692242	Screw, M5 x 12	4	
26	37.23840	Lamp, number plate	2	
27	020.037.0709	Bulb, 12V 5W, festoon	2	
-	693416	Screw, M4 x 10	4	Lamps to rear bumper
28	37.22630	Rear lamp assembly, outer, RH	1	} Not USA
-	96.14786	Lens, amber, indicator	1	
-	37.26848	Lens, red, stop/tail	1	(96.14796) }
-	37.22636	Rear lamp assembly, outer, RH	1	} USA cars
-	37.18530	Lens, amber, indicator	1	
-	37.18604	Lens, red, stop/tail	1	
29	37.22631	Rear lamp assembly, outer, LH	1	} Not USA
30	96.14794	Lens, amber, indicator	1	
31	37.26849	Lens, red, stop/tail	1	(96.14788) }
-	37.22637	Rear lamp assembly, outer, LH	1	} USA cars
-	37.18530	Lens, amber, indicator	1	
-	37.18535	Lens, red, stop/tail	1	
32	37.11068	Bulb holder, indicator	2	
33	020.037.0704	Bulb, 12V 21W, indicator	2	} 1 of each per rear outer lamp, Euro and USA cars
-	96.14791	Bulb holder, stop/tail	2	
-	020.037.0703	Bulb, 12V 5/21W, stop/tail	2	
34	37.23274	Seal, 8 x 8	as reqd	Used on all rear lamps
35	37.22632	Rear lamp assembly, inner, RH	1	} Not USA cars
-	96.14793	Lens, white, reverse	1	
-	96.14787	Lens, red, rear fog	1	
36	37.22633	Rear lamp assembly, inner, LH	1	
-	96.14785	Lens, white, reverse	1	} 1 of each per lamp
-	96.14795	Lens, red, rear fog	1	
-	37.11068	Bulb holder, reverse	2	
-	020.037.0704	Bulb, 12V 21W, reverse	2	
-	37.25390	Bulb holder, screw fixed, rear fog	2	
-	020.037.0704	Bulb, 12V 21W, rear fog	2	
37	37.22634	Rear lamp assembly, inner, RH	1	} USA cars
-	37.18532	Lens, red, stop	1	
-	37.26850	Lens, white, reverse	1	
38	37.22635	Rear lamp assembly, inner, LH	1	
-	37.18532	Lens, red, stop	1	} 1 of each per lamp
-	37.26851	Lens, white, reverse	1	
-	37.11068	Bulb holder, stop and reverse	2	
-	020.037.0704	Bulb, 12V 21W, stop and reverse	2	
-	88.22297	Clamp, rear lamps	4	
-	88.22293	Bracket, rear lamps	2	
-	692204	Capscrew, M5 x 25	4	
-	692075	Nut, M5	4	

# ELECTRICS

Lamps and Bulbs  
Headlamps, Rear Lights, Spot Lights, Indicators & Auxiliary Lamps  
Later Cars



VIEW ON "A"  
GENERAL VIEW OF HEADLAMP INSTALLATION





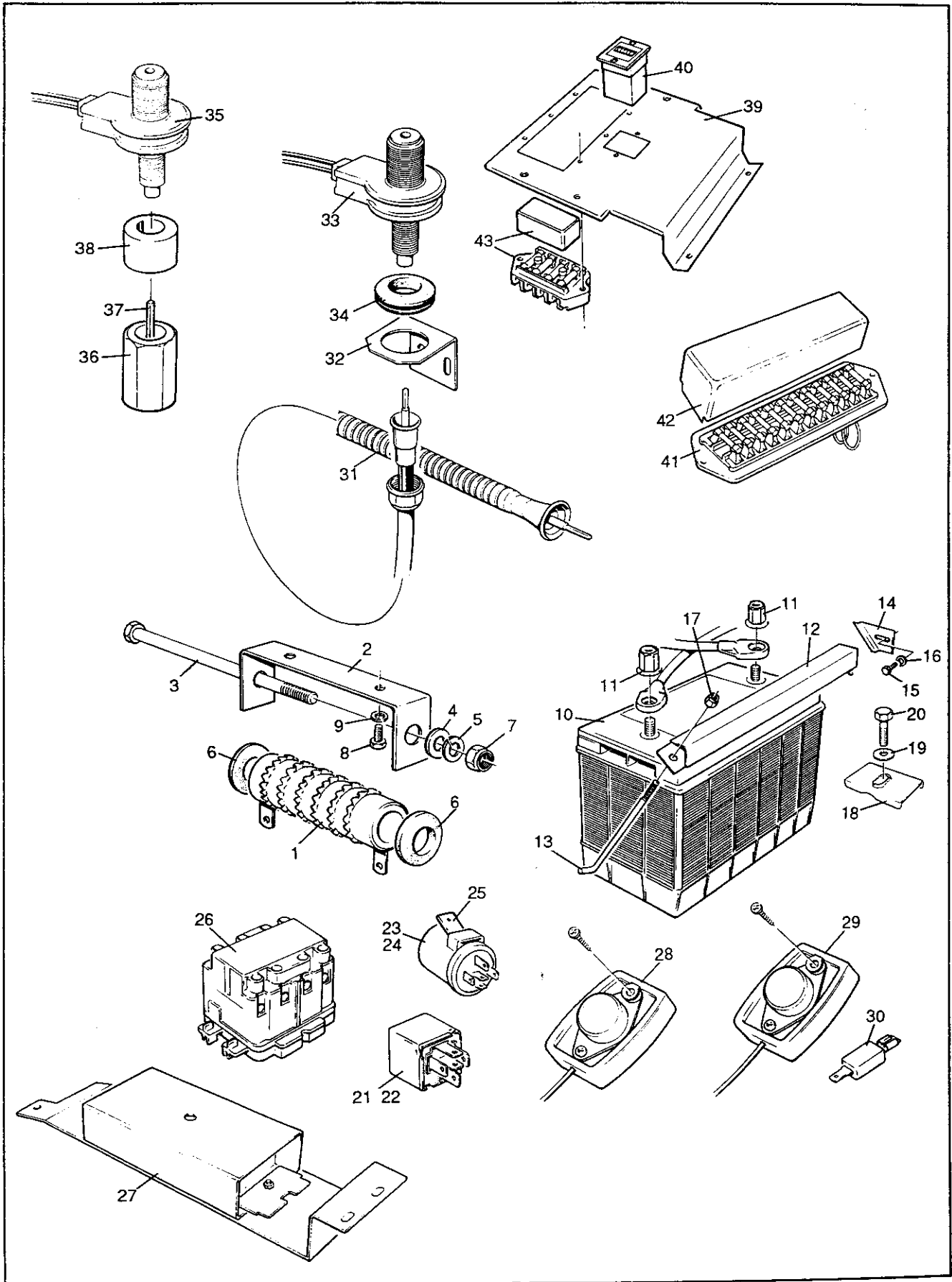
**ELECTRICS**

**Lamps and Bulbs**  
**Headlamps, Rear Lights, Spot Lights, Indicators & Auxillary Lamps**  
**Later Cars**

Illus No.	Part Number	Description	Qty	Remarks
-	80.21919	Cover plate, rear lamps, RH	1	} Cover plates to body
-	80.21920	Cover plate, rear lamps, LH	1	
-	693786	Ring-head fastener	6	
-	693788	Washer, plastic	6	
-	693787	Fastener receptical	6	
39	37.23218	False centre reflector	1	
40	37.21740	Stop lamp, high mounted	1	} USA cars from 1986
41	069.037.0707	Bulb, capless, 12V 5W	4	
42	37.21753	Lamp securing foot	2	
-	693279	Adhesive foot to	as reqd	
-	692816	Activator rear screen	as reqd	} USA cars from 1986 to 1988
43	37.21775	Lamp obscuration mask	1	
44	37.26140	Stop lamp mounting panel	1	} USA cars
45	37.26154	Stop lamp support base, untrimmed	1	
46	122289	Screw, No. 6 x 1/2 in.	6	} Mounting panel to support base approx. chassis no. 13552 (1988)
47	692172	Clip, spire, No. 6	6	
48	692005	Bolt, M5 x 16	2	
49	692055	Washer, plain, M5	2	} Mounting panel and support base
50	693400	Rivnut, M5	2	

# ELECTRICS

## Components and Wiring Fuseboxes, Battery, Speedometer & Relays





## ELECTRICS

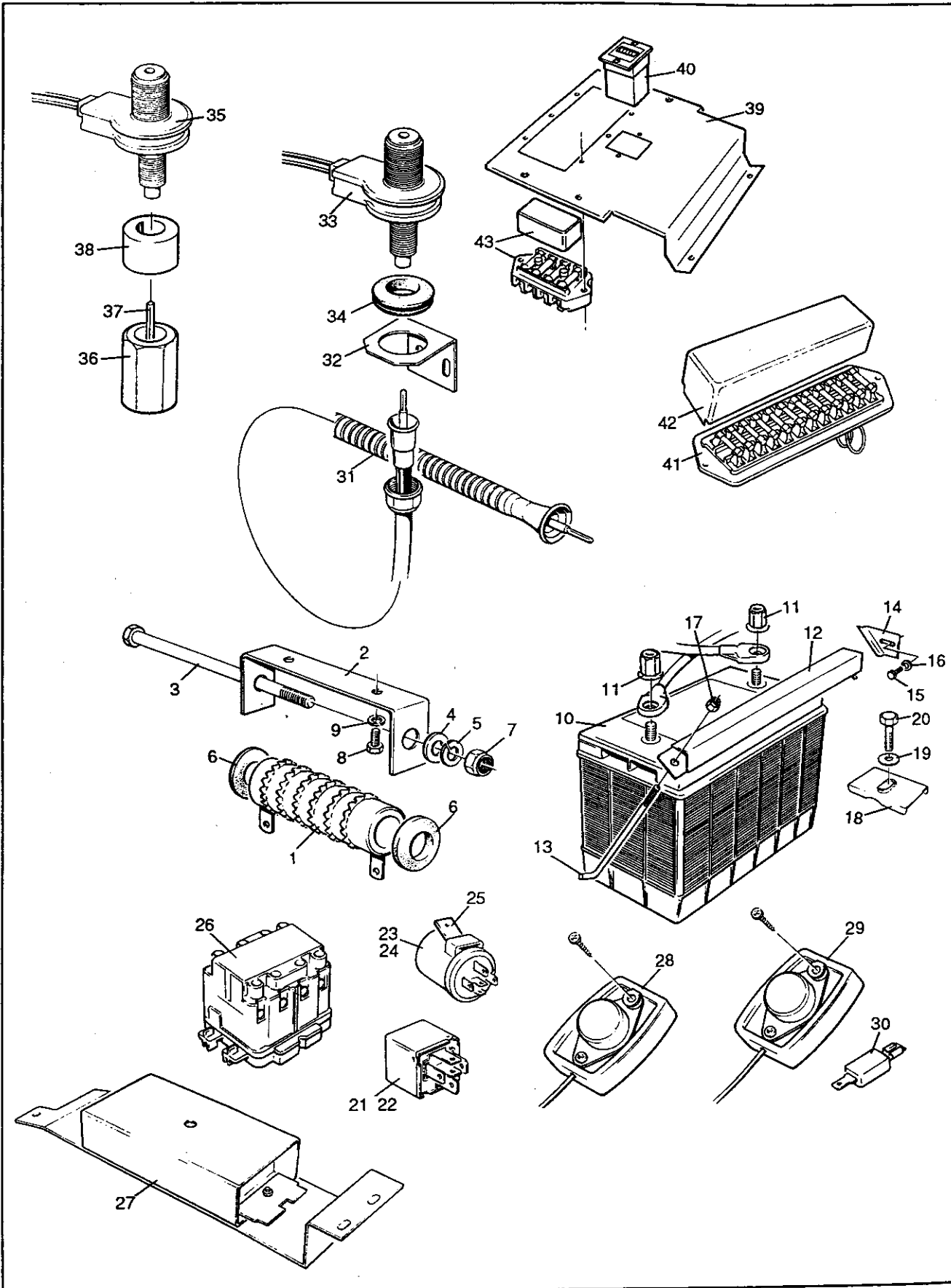
**Components and Wiring**  
**Fuseboxes, Battery, Speedometer & Relays**

Illus No.	Part Number	Description	Qty	Remarks	
1	37.15801	Ballast resistor	1	Electric fans	
2	37.15811	Mounting bracket	1	} Ballast resistor to bracket	
3	500640	Bolt, 3/8 in. UNC x 5 in.	1		
4	119472	Washer, plain, 3/8 in.	1		
5	119482	Washer, spring, 3/8 in.	1		
6	692266	Grommet	2		
7	544006	Nut, 3/8 in. UNC	1		
8	692090	Screw, M5 x 12	2		
9	692045	Washer, spring, M5	2		
-	37.12094	Battery	1		} White case
-	692592	Terminal screw	2		
-	37.11209	Battery clamp	1	} Early cars	
-	37.11213	'J' clamp, 8 in.	1		
10	37.16845	Battery	1	Black case	
-	37.21274	Battery	1	Black case. From chassis no. 13426 up to Mid 1986.	
-	37.22289	Battery	1	Blue case. From Mid 1986	
-	37.13978	Battery lead terminal kit	1		
11	692640	Battery nut	2	Up to chassis no. 13425	
-	691898	Battery vent tube	12 in.		
-	692525	'P' clip	1	} Later cars up to Mid 1986	
-	627.000.0804	Screw, No 8 x 1/2 in.	1		
12	37.16898	Battery clamp	1		
-	37.20791	Battery clamp	1		
13	37.16899	'J' clamp, 10 in.	1	From chassis no. 13426	
14	37.17167	Clamp clip	1		
15	692089	Screw, M8 x 16	1	} Battery clamp fixings:- all cars up to Mid 1986	
16	692057	Washer, plain, M8	2		
-	692047	Washer, spring, M8	1		
17	692077	Nut, M8	1		
18	88.22266	Battery clamp	1	} From Mid 1986	
19	692057	Washer, plain, M8	1		
20	692544	Bolt, M8 x 30	1	} to battery tray	
-	19.22665	Battery clamp	1		
-	19.22666	Washer plain	1	} From chassis no. 13540	
-	692129	Bolt, M8 x 25	1		
21	37.14905	Relay, square, silver, 20/30A	as reqd		
22	37.21063	Relay, square, silver or black, 4RA	4	EFI fuel pump and injectors.	
-	37.21063	Relay, square, silver or black, 4RA	1	Electric rad. fans from 1986.(2)	
23	37.10517	Relay, black or red	as reqd	Front fog lamps from 13540	
24	37.10518	Relay, blue	as reqd		
25	37.16517	Relay mounting clip	as reqd		
26	37.11894**	Relay, latching, see-through	as reqd		
27	37.18756**	Relay box assembly	1	} Cars with supplementary rear lights.	
-	37.18757**	Relay box assembly	1		
-	37.14310	Panel, relay mounting	1	} LHD	
-	37.14311	Panel, relay mounting	1		
-	37.17767**	Panel, relay mounting.	1		
-	37.17768**	Panel, relay mounting	1		
		** See note on page 6.3A.1.3		} On wheelarch	

# ELECTRICS

## Components and Wiring

### Fuseboxes, Battery, Speedometer & Relays





**ELECTRICS**

**Components and Wiring  
Fuseboxes, Battery, Speedometer & Relays**

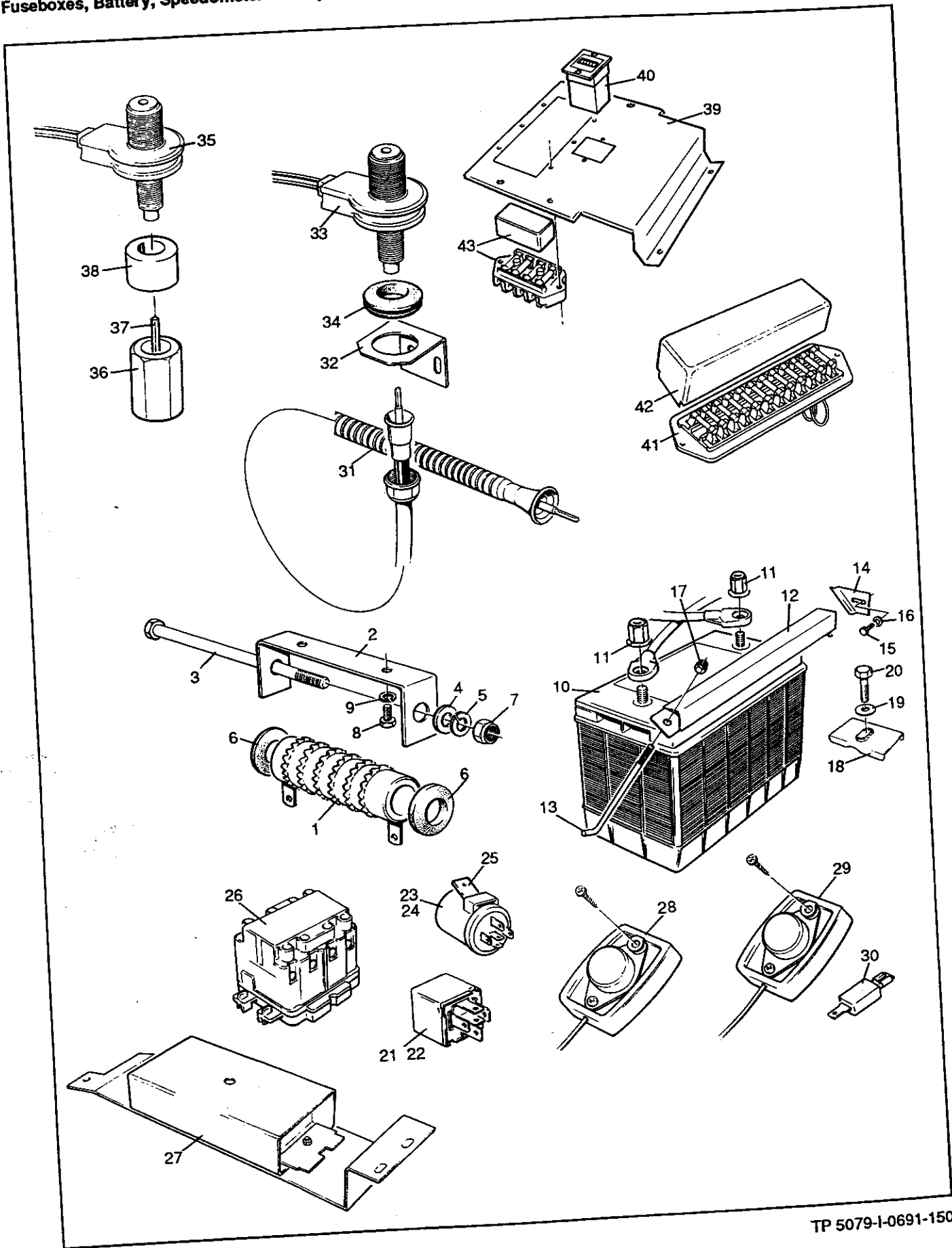
Illus No.	Part Number	Description	Qty	Remarks
-	37.22285	Relay mounting plate, 9 way	1	Not USA or Middle East cars } Up to chassis no. 13539
-	37.22283	Relay mounting plate, 3 way	1	
-	37.23340	Relay mounting plate, 3 way	1	
-	37.22153	Relay mounting angle, 3 way	1	
28	37.14120	Door lock delay unit	1	Up to 1983
29	37.11239	Interior lamp delay unit	1	
30	097.037.0015	Diode, in - line	1	
-	38.14044	Speedometer cable, short	1	Early RHD cars
31	100.038.0101	Speedometer cable, 45 in.	1	
-	38.17359	Speedometer cable, 40.1/2 in.	1	Up to chassis no. 13379 approx.
32	38.15982	Speedometer sender bracket	1	
-	627.000.0803	Screw, No. 8 x 3/8 in.	2	} Bracket to bulkhead
-	692054	Washer, plain, M4	2	
33	38.14038	Speedometer sender unit	1	
34	122261	Grommet	1	Sender to bracket
35	38.20493**	Speedometer sender unit	1	} Sender unit to gearbox
36	38.19877**	Adaptor	1	
37	38.19878**	Speedometer sender drive peg	1	
38	38.19876**	Spacer	1	
-	37.11081	Panel, odometer and fuse box (single)	1	Early cars
39	37.17168	Panel, odometer and fuse box (triple)	1	
-	37.17625	Panel, odometer and fuse box (single)	1	} Tamper-proofed
-	37.17649**	Panel, odometer and fuse box (triple)	1	
40	38.14036**	Odometer	1	
-	691782**	Screw, No. 6 x 3/8 in.	2	} Odometer to panel
-	020.037.0184**	Grommet	1	
-	692695**	Seal	1	} Odometer tamper-proofing
-	692694**	Wire	1	
-	37.18255	Fuse box support bracket	1	} For yellow timer
-	37.20114**	Fuse box support bracket	1	
-	37.20113**	Fuse box support bracket	1	
41	095.037.0124	Fuse box - engine compartment. For glass fuses	1	} RHD } From chassis no. 13380 approx. LHD }
42	37.11072	Fuse box lid - engine compartment	1	
-	095.037.0124	Fuse box - centre console. For glass fuses	1	} Early cars
-	37.11072	Fuse box lid - centre console	1	
-	37.21299	Fuse box and lid, complete with porcelain fuses - centre console	1	} From chassis 13443 to 13539 } Check fuse values before fitting
43	055.037.0110**	Fuse box - engine compartment. For glass fuses	3	
-	692287**	Bolt, M5 x 30	6	} Fuse boxes to panel } Later cars
-	692055**	Washer, plain, M5	12	
-	692065**	Washer, shakeproof, M5	6	
-	692075**	Nut, M5	6	
-	97.14537**	Fuse box label - centre console	1	Modify quick-blow fuse values when fitting to cars after 13380
-	97.20905**	Fuse box label - centre console	1	
-	97.22627	Fuse box label - centre console	1	From chassis no. 13443
-	97.16601**	Fuse box label - engine compartment	1	From chassis 13505 to 13539

\*\* See note on page 6.3A.1.3



# ELECTRICS

Components and Wiring  
Fuseboxes, Battery, Speedometer & Relays

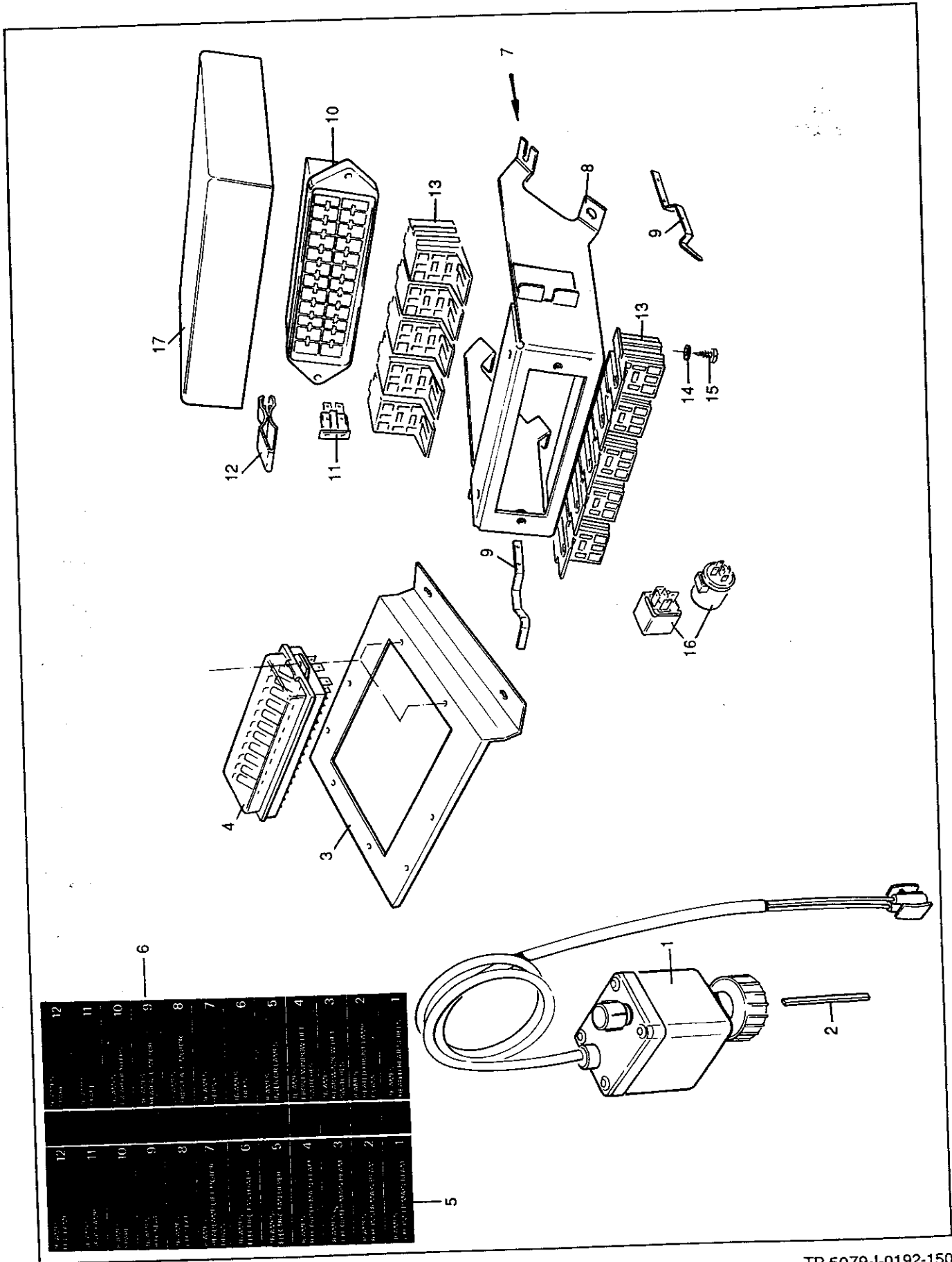


**ELECTRICS****Components and Wiring  
Fuseboxes, Battery, Speedometer & Relays**

Illus No.	Part Number	Description	Qty	Remarks
-	020.037.0271**	Fuse, glass, 35 amp. (17 amp continuous rating)	as reqd	From chassis no. 13380 to chassis no. 13442
-	37.13473**	Fuse, quick blow, 4 amp	as reqd	
-	37.20323**	Fuse, quick blow, 7.5 amp	as reqd	
-	694418	Fuse, 8 amp continuous (porcelain white)	as reqd	For porcelain fuses
-	694494	Fuse, 5 amp continuous (porcelain yellow)	as reqd	
-	694420	Fuse, 25 amp continuous (porcelain blue)	as reqd	
-	095.037.0158	Fuse holder, in-line, bayonet lock	as reqd	
		<b>Note:</b> Later items marked ** are not fitted to cars from chassis 13505, with Vacuum Flourescent instruments.		

**ELECTRICS**

**Components and Wiring**  
**Fuseboxes, Battery, Speedometer & Relays**







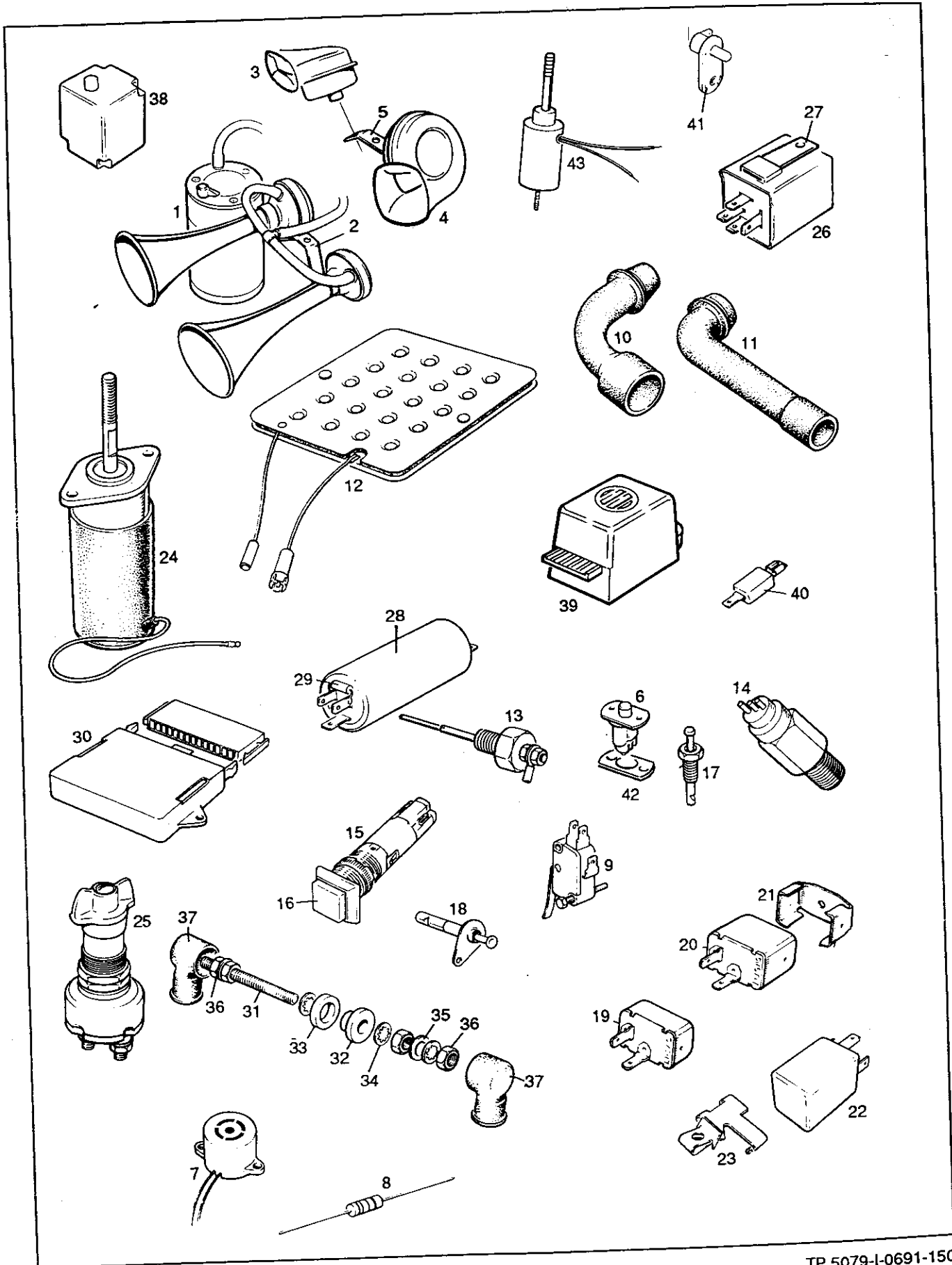
**ELECTRICS**

**Components and Wiring  
Fuseboxes, Battery, Speedometer & Relays**

Illus No.	Part Number	Description	Qty	Remarks
1	38.22715	Speedometer sender unit	1	} From approx.chassis no.13505. } Cars with vac-flourescent inst.
2	38.22749	Speedometer sender unit drive peg	1	
3	37.22286	Panel, fuse box, (double)	1	
-	37.22375	Bracket, fuse box panel support	1	} Fuses in section 6.3A.1 } Check fuse values before fitting } Stick-on } Fuse boxes } to panel } Fuse box 1 } Fuse box 2
4	37.21299	Fuse box and lid, complete with porcelain fuses - engine compartment	2	
-	693452	Clip, plastic, spare fuses	8	
-	692210	Screw, M4 x 12	4	
-	692054	Washer, plain, M4	4	
5	97.22628	Fuse box label, engine compartment	1	
6	97.22629	Fuse box label, engine compartment	1	
7	37.25639	Panel and spring catch assembly, fuse box	1	
8	37.23652	Panel, fuse box, (single)	1	
9	37.25638	Spring catch, fuse box cover	2	
-	693976	Pop rivet, 1/8 in., spring catches to panel	4	} Fuse box to } engine compt. } panel  } From } chassis } no. } 13540
10	37.23417	Fuse box, without fuses - engine compartment	1	
-	37.23417	Fuse box, without fuses - centre console	1	
-	692090	Bolt, M5 x 12	2	
-	692045	Washer, spring, M5	2	
-	122422	Washer, plain, 2BA	2	
11	37.23420	Fuse, 3 amp., purple	1	
-	37.23422	Fuse, 5 amp., orange	2	
-	37.23424	Fuse, 10 amp., red	12	
-	37.23425	Fuse, 15 amp., blue	13	
-	37.23426	Fuse, 20 amp., yellow	9	
-	37.23427	Fuse, 25 amp., clear	3	
-	37.23423	Fuse, 7.5 amp., brown, early cars.	as reqd	
12	37.23429	Fuse extraction tool. Supplied with toolkit.	1	
13	-	Relay harness block. Part of harness assemblies.	10	
14	692054	Washer, plain, M4	4	} Relay blocks } to panel
15	692126	Screw, M4 x 8, pan head	4	
16	-	Relays	-	See section 6.3A.1
17	37.23653	Cover, fuse box and relays	1	} RHD } Early } LHD } cars } RHD } Later cars. Single } LHD } radiator fan
-	97.25474	Label, fuse box and relays	1	
-	97.25475	Label, fuse box and relays	1	
-	97.26502	Label, fuse box and relays	1	
-	97.26365	Label, fuse box and relays	1	
-	97.25476	Label, fuse box - centre console	1	

# ELECTRICS

## Components and Wiring Electrical Units





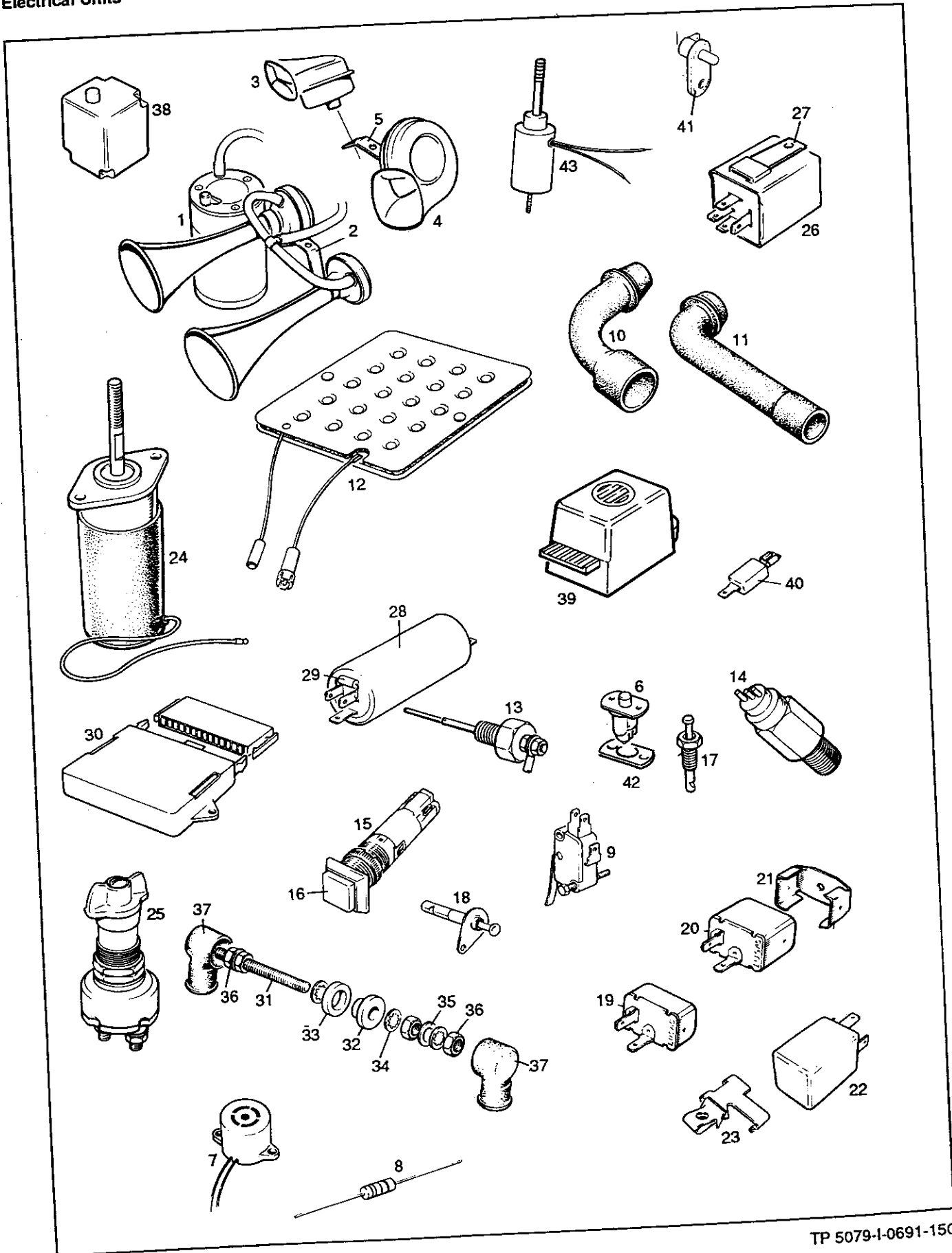
## ELECTRICS

Components and Wiring  
Electrical Units

Illus No.	Part Number	Description	Qty	Remarks
1	37.26197	Air horn kit, including compressor	1	
2	37.12572	Mounting bracket, air horns	1	
-	37.23229	Mounting bracket, air horns	1	Cars from chassis nos.13540/1
-	022.037.0203	Town horn, low note	1	Early
-	022.037.0204	Town horn, high note	1	cars
-	37.15861	Town horns	1 pr	Cars from Mid.1980 to Mid. 1987. Use 37.25713/4
3	37.25713	Town horn, high note	1	Cars from
4	37.25714	Town horn, low note	1	Mid.1987
5	37.16518	Mounting bracket	1	Cars from Mid.1980
6	37.20607	Switch	3	Bonnet lamp and fuel flaps (2)*
-	37.20607	Switch	1	*Fuel flaps to chassis 13539
-	37.12574	Bracket, bonnet switch	1	Alarm switch from 13540
7	37.14253	Buzzer	2	Not from chassis no. 13540
8	692797	Resister, 1K/1W	1	To stop KPH to MPH buzzing
9	095.038.0107	Microswitch	6	Rear lamps, boot lock and hand brake
-	37.12607	Mounting bracket, rear lamp microswitch	1	Not from chassis no. 13540
-	67.14275	Mounting bracket, boot switch microswitch	1	
10	37.12469	Door wiring protector	6	
-	37.19215	Door wiring protector	6	Cars from chassis no. 13294
11	37.12470	Door wiring protector	6	
-	37.19216	Door wiring protector	6	Cars from chassis no. 13294
12	37.13489	Seat belt sensor switch	2	Only 1 fitted on USA cars
-	37.12943	Low water warning unit	2	Blue box. Cars up to 1983
13	37.14348	Radiator coolant low level sender	1	
-	96.14783	Eyelet, small	1	
-	96.14784	Eyelet, large	1	
14	081.031.0885	Switch, neutral starter/reverse lamps, long	1	Automatic gearbox
-	42.16709	Switch, neutral starter/reverse lamps, short	1	Automatic gearbox
-	081.031.0887	Washer, switch	1	
-	074015	Suppressor	as reqd	
-	37.13336	Casing, warning lamp, instrument board	as reqd	Not from chassis no. 13380
-	37.14160	Square touch switch	as reqd	
15	37.12570	Facia switch	as reqd	
16	-	Lenses	as reqd	See section 6.1
17	069.090.0001	Switch	as reqd	Interior lamps, rear doors and later gear lever contact.
18	692347	Switch	as reqd	Boot lamp from chassis 13540
19	069.037.0262	Flasher unit	1	Interior lamps, front doors* and early gear lever contact.
20	069.037.0263	Hazard unit	1	*Not front doors from Aug. 88
21	080.037.0150	Unit fixing clips	2	
22	37.19238	Flasher and hazard unit with clip, electronic	1	See-through } From chassis
23	37.18090	Fixing clip	1	} no. 13296
24	097.037.0113	Fuel flap solenoid	2	Up to chassis no. 13539
25	37.13657	Master switch	1	

# ELECTRICS

## Components and Wiring Electrical Units





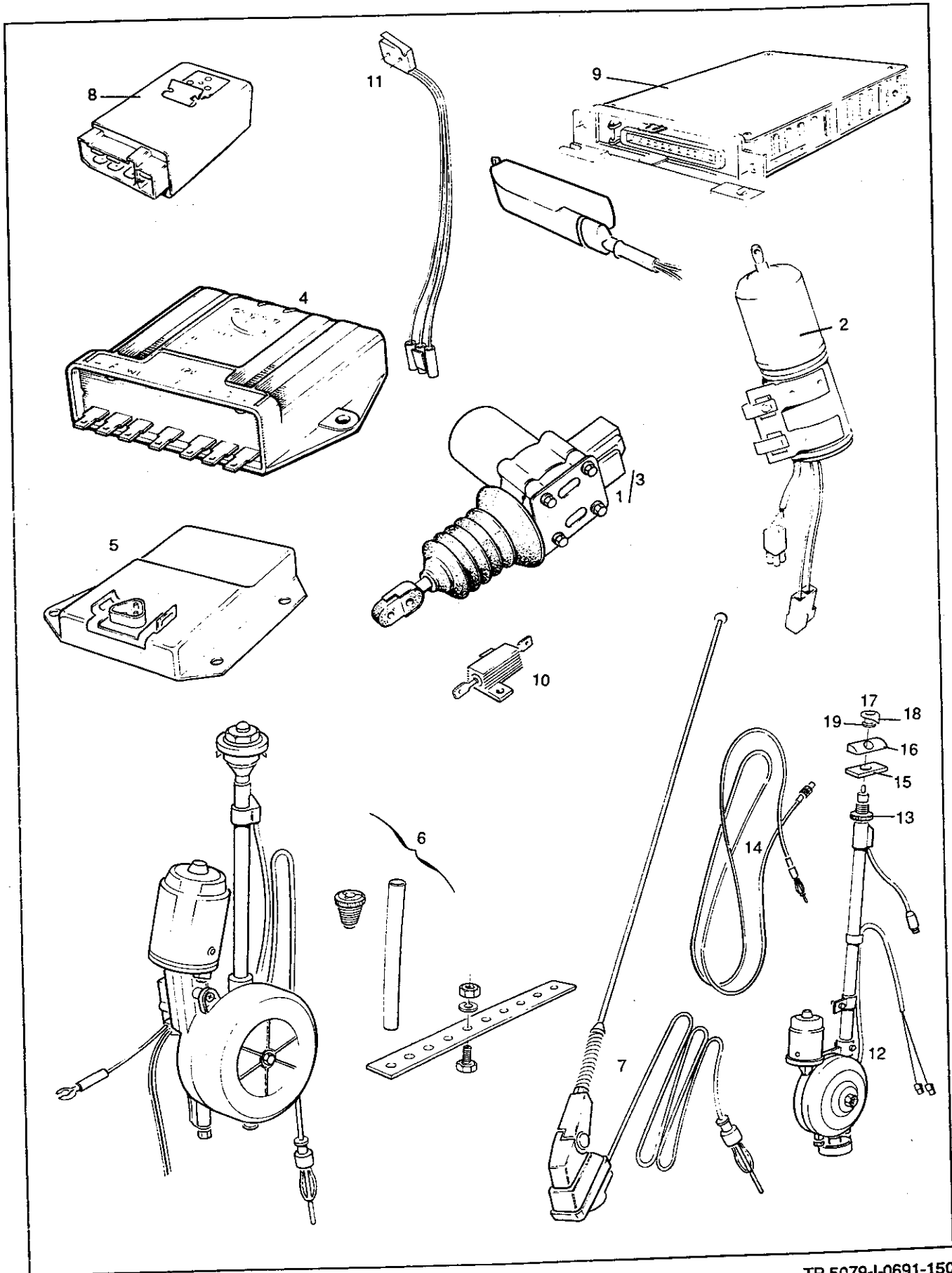
**ELECTRICS**

**Components and Wiring  
Electrical Units**

Illus No.	Part Number	Description	Qty	Remarks	
26	37.15114	Timer, yellow	2	} Heated rear screen and lamp glass. Up to chassis 13539 } Wash/wipe. From chassis no. 13257 to chassis no. 13425 } Headlamp wash from 13540 } Blower motors. C.R.T. delay from chassis no. 13380. (1985)	
27	37.16517	Mounting clip, timer	2		
-	37.18089	Timer, black	1		
-	37.18090	Clip, timer	1		
-	37.23379	Timer, black	1		
28	37.15115	Delay unit	1		
29	37.15116	Resistor	1		
-	693116	Resistor	1	C.R.T. delay	
30	37.16007	Warning unit, low vacuum	1	Cars up to 1983	
-	37.18878	Warning unit, low radiator coolant/low screenwash/low vacuum	1	Cars from 1983. Not EFI cars.	
-	37.14878	Monitor unit, rear lamps	1	White paint spot or 'V' } Cars from chassis no. 13380 to 13505, approx.	
-	37.20284	Monitor unit, rear lamps	1		
-	37.20282	Illumination unit, binnacle switch panels	1		
-	37.22570	Monitor unit, rear lamps	1	} Cars with vac.flourescent instruments.From chassis no.13505 approx. (1986)	
-	37.22571	Monitor unit, rear lamps	1		
31	095.037.0185	Harness terminal post,complete with nut,1/4 in.UNF	1		
32	095.037.0186	Insulator block, male	1		
33	095.037.0187	Insulator block, female	1		
34	591.000.0404	Washer, shakeproof, 1/4 in.	4	Quantities shown are per terminal post. The number and thread of the posts fitted varies, depending on the hand of drive and year of car.	
35	119470	Washer, plain, 1/4 in.	2		
36	691629	Nut, brass, 1/4 in. UNF	3		
-	37.18897	Harness terminal post, complete with nut, M8	1		
-	37.18899	Insulator block, male	1		
-	37.18898	Insulator block, female	1		
-	692067	Washer, shakeproof, M8	4		
-	692057	Washer, plain, M8	2		
-	692772	Nut, brass, M8	3		
37	020.037.0104	Boot, terminal	2		} Coat terminals before fitting boots.
-	692477	Petroleum jelly	as reqd		
-	020.037.0182	Grommet	2		} Battery cable through bulkhead } Heated spot lamp glass
-	691917	Grommet	2		
-	37.12281	Resistor, 1kW	1		} Door } locks
-	37.12282	Capacitor, 2200mf	1		
-	37.13625	Resistor, white, 7W	1		
-	37.14607	Radio resistor, 16K	1		
38	37.16851	Inertia switch, fuel cut-off	1		
-	37.18032	Inertia switch mounting bracket	1		
39	097.037.0014	Seat belt buzzer	1	} Middle East cars from chassis no. 13540 } USA cars	
-	692210	Screw, M4 x 12, buzzer attach	1		
40	097.037.0015	Diode, in-line	2		
-	691672	Terminal	2		
-	691926	Terminal	2		
-	691232	Sleeve	2		
-	692704	Terminal	1		
-	692725	Resistor, 22 ohm	2		
-	37.16844	Engine RPM limiter (5400 rpm)	1		
41	37.26247	Switch	2		Early Hong Kong cars Front doors from August 1988
42	37.26212	Spacer, 1.6 mm thick	as reqd	} From chassis no. 13540	
43	37.23705	Fuel flap solenoid	2		

# ELECTRICS

Components and Wiring  
Electrical Units



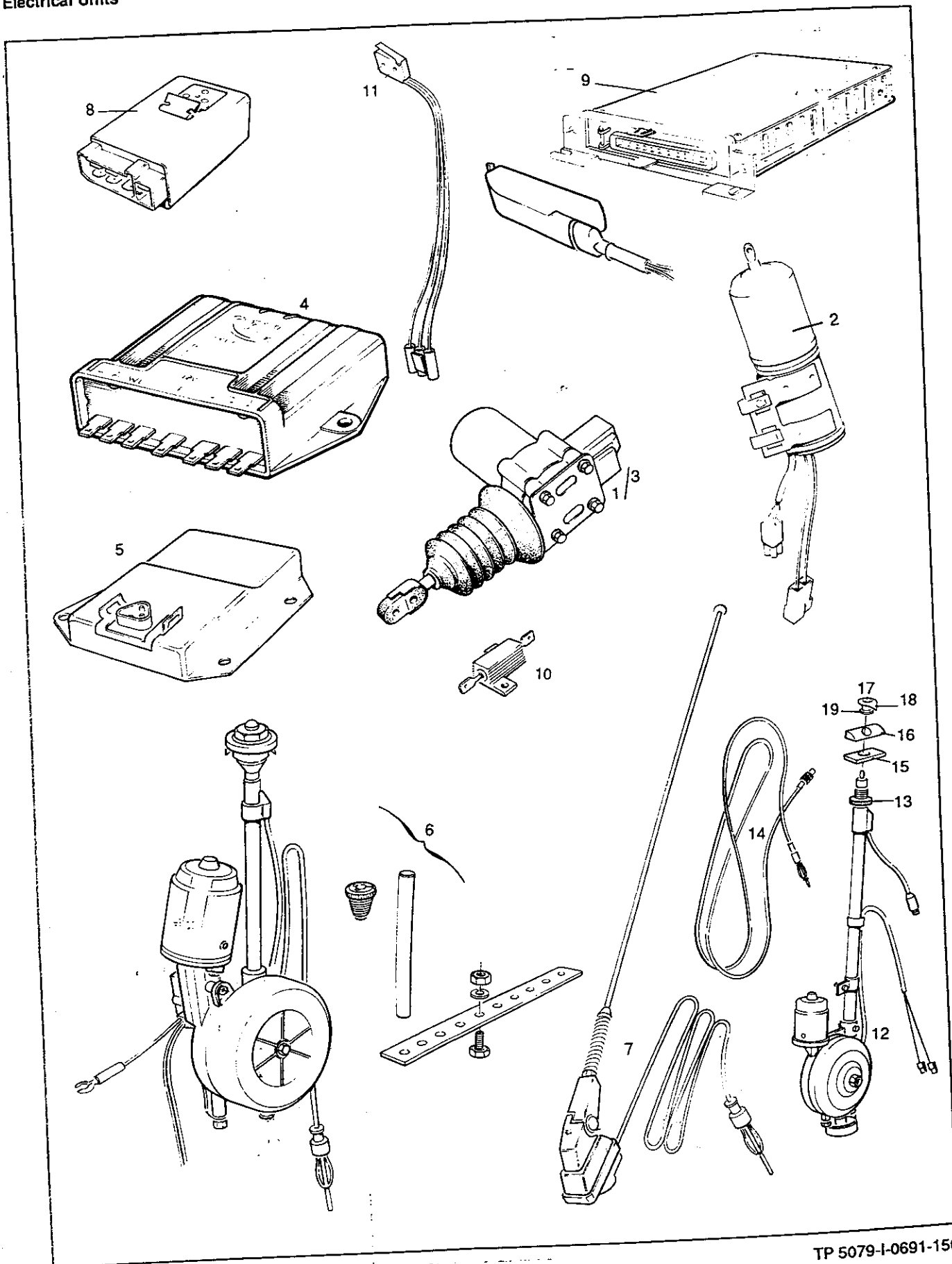


**ELECTRICS**  
**Components and Wiring**  
**Electrical Units**

Illus No.	Part Number	Description	Qty	Remarks
1	37.11090	Lock actuator	4	RH bonnet, LH front door **, RH rear door, boot (Not on boot from 13540)
-	37.11091	Lock actuator	3	LH bonnet, RH front door **, LH rear door **These actuators are not fitted to the front doors on USA cars; nor all cars from chassis no. 13284. (1983) See below.
-	37.13144	Harness plug	7	} Actuator fixing
-	690296	Hank bush, 4BA	14	
-	110918	Screw, 4BA x 1/2 in.	14	
2	37.15001	Lock actuator, front door, RH	1	
-	37.15017	Lock actuator, front door, LH	1	} USA cars; and all cars from chassis no. 13284 to chassis no. 13504 approx. (1986)
3	37.20830	Lock actuator, front door, LH	1	All cars with vacuum fluorescent instruments.
-	37.20831	Lock actuator, front door, RH	1	} From chassis no. 13505 approx. (1986)
-	37.13144	Harness plug	2	Cars from chassis no. 13540
-	37.20831	Lock actuator, boot	1	Bonnet lock emergency access
-	635.000.0220	Blanking grommet, 1.1/2 in.	2	For 75 amp. alternator
4	080.009.0122	Alternator regulator	1	Rear air-conditioned cars with 100 amp. alternator. Not fitted from chassis no. 13425.
5	09.17029	Alternator regulator	1	Early cars. Use 37.26253
-	095.037.0168	Electric aerial	1	} To 1983
6	37.26253	Electric aerial	1	
-	37.13638	Aerial bracket	1	
-	37.17508	Insulator	1	
-	37.17509	Earth lead	1	
-	691417	Black lead	6 ft	
7	37.18765	Roof aerial, black	1	
-	095.037.0172	Aerial extension lead	1	} Early cars
-	37.14004	Speaker, rear, 6 in. x 9 in.	2	
-	37.17241	Speaker, rear	2	Cars with rear air-conditioning, to chassis no. 13539
-	37.23922	Speaker, rear	2	From chassis no. 13540
-	37.14005	Speaker, front door, 5.1/4 in. dia.	2	Early cars, 10 oz. magnet
-	37.17252	Speaker, front door, 5.1/4 in. dia.	2	Later cars, 20 oz. magnet. Use 37.17241
-	37.17241	Speaker, front door	2	From March 1983 to ch. 13539
-	37.23922	Speaker, front door	2	From chassis no. 13540
-	37.19413	Speaker lead, 10 in.	2	Cars from 1983
-	96.16945	Relay bracket	2	To re-site door relays when fitting later speakers to early cars
8	65.20843	Control unit, door locking	1	} From chassis no. 13505 approx. (1986)
-	37.22426	Bracket, control unit	1	

# ELECTRICS

## Components and Wiring Electrical Units





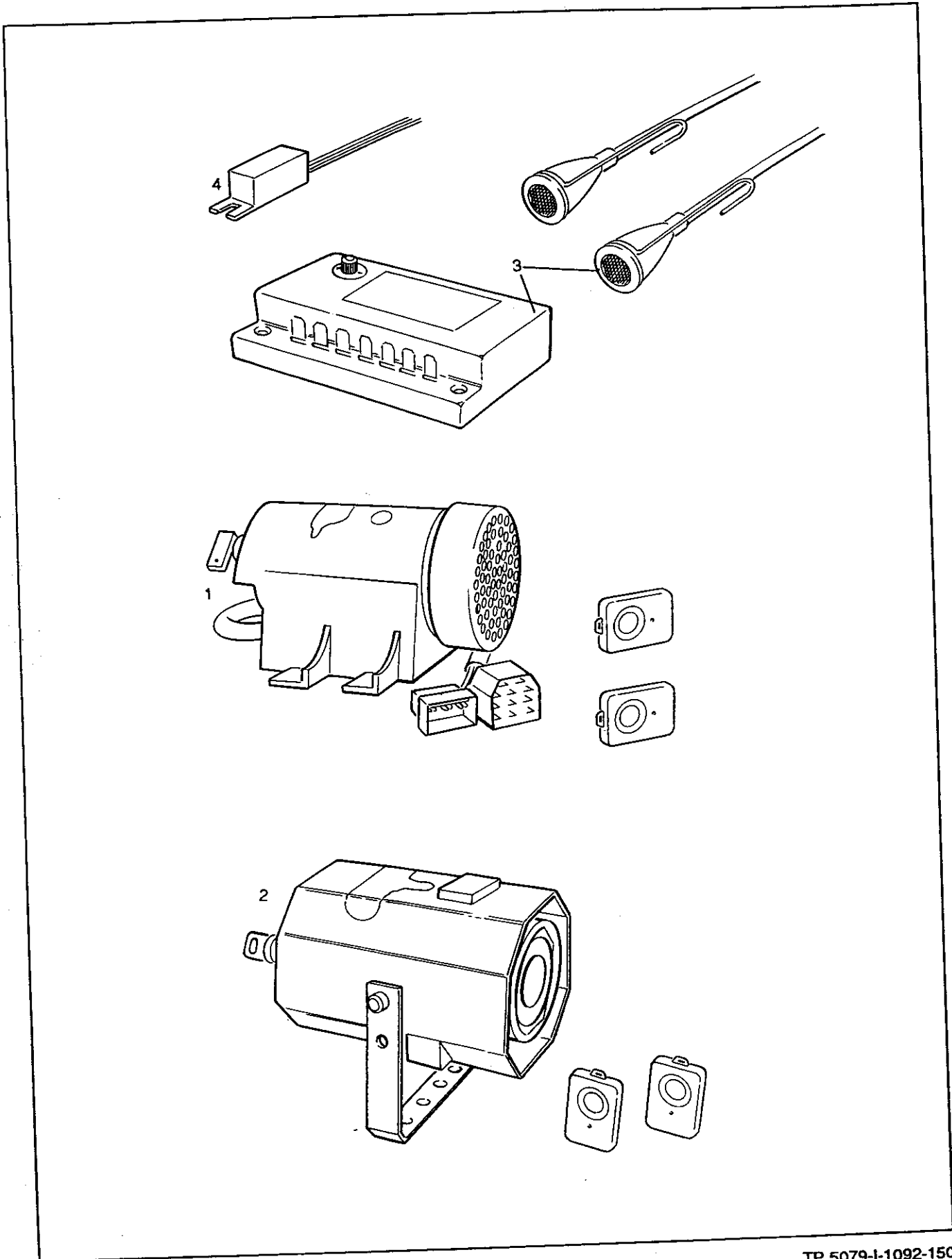


**ELECTRICS**  
**Components and Wiring**  
**Electrical Units**

Illus No.	Part Number	Description	Qty	Remarks
9	08.21244	Electronic control unit, EFI	1	Euro cars. Not on Swiss cars from 1988. USA and Japanese cars. Swiss cars from 1988.
-	08.20001	Electronic control unit, EFI	1	
-	693250	Plug, control unit tamperproofing, black, EFI	1	
10	693128	Resister, 25W	1	Cars from 1985. Fitted into wiring. For later alternator.
11	37.24196	Switch assembly	2	Fuel flaps open             Cars from chassis no. 13540
12	37.25247	Electric aerial	1	
13	37.23283	Knurled nut	1	
14	37.25246	Aerial extension lead, approx. 16 foot long	1	
-	692703	Terminal, 3 mm pin	2	
-	692832	Pin housing, 2 way	1	
-	37.23291	Aerial bracket, lower	1	
-	37.23286	Aerial bracket, upper	1	
15	37.23282	Aerial top sealing pad	1	
16	37.23281	Aerial top sealing block	1	
17	37.25800	Aerial finisher assembly	1	
18	37.25798	Finisher	1	
19	37.25799	Sleeve, insulator	1	
-	693466	Adhesive	as reqd	
-	50.25498	Radio telephone oval base	1	
-	50.25499	Radio telephone round base	1	
-	50.25500	Radio telephone aerial	1	

# ELECTRICS

## Components and Wiring Alarm Units





## ELECTRICS

Components and Wiring  
Alarm Units

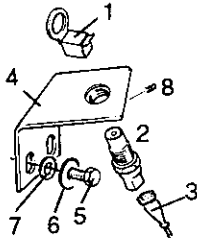
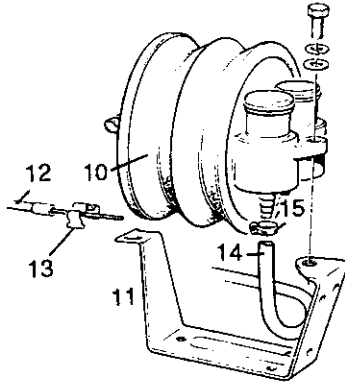
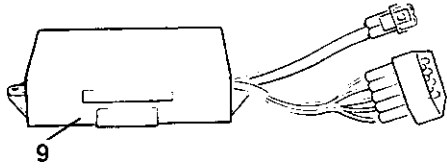
Illus No.	Part Number	Description	Qty	Remarks
1	37.25295	Alarm unit	1	
2	37.26476	Alarm unit	1	Later cars from February 1989
-	37.25610	Mounting bracket, alarm unit	1	} Early cars } Mounting bracket } to bumper support tube } Alarm unit fixings - to } later chassis tube bracket. } From chassis no. } 13557 } Smaller sensors fitted from } approx. chassis no. 13576
-	692055	Washer, plain, M5	2	
-	692800	Nut, Nyloc, M5	2	
-	692315	Screw, M4 x 16	4	
-	692064	Washer, shakeproof, M4	4	
-	692054	Washer, plain, M4	8	
-	692074	Nut, M4	4	
3	37.25296	Ultrasonic unit complete with two sensor eyes	1	
4	37.25297	Re-activator	1	

# ELECTRICS

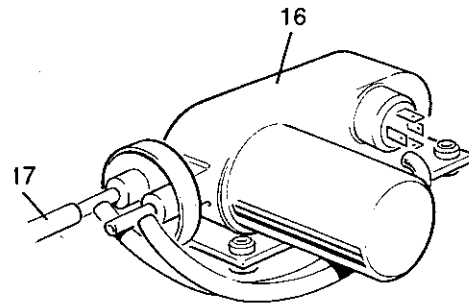
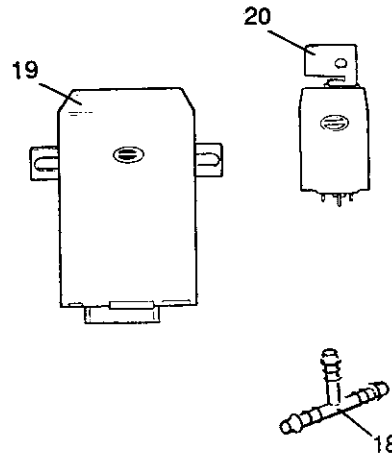
## Components and Wiring Cruise Control and Overspeedwarning



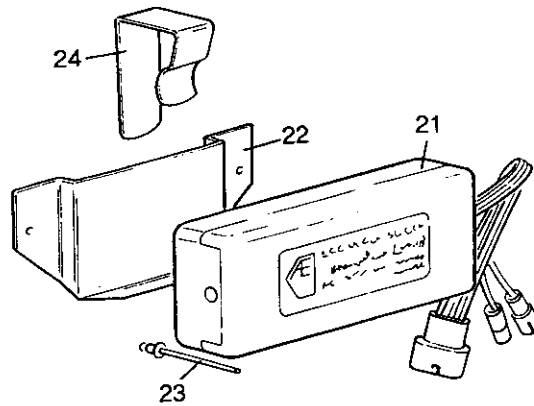
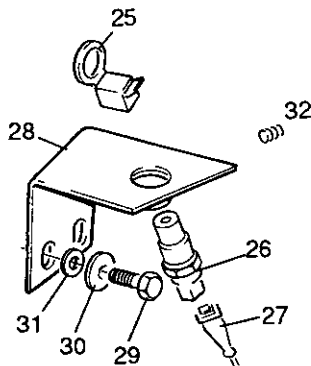
### Cruise Control - Carburettor Cars



### Cruise Control - EFI Cars



### Overspeed Warning





## ELECTRICS

 Components and Wiring  
 Cruise Control and Overspeed Warning

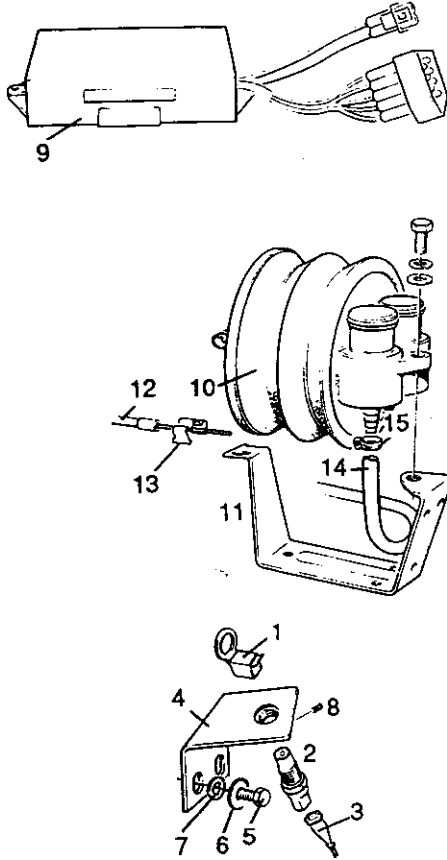
Illus No.	Part Number	Description	Qty	Remarks
		<b>Carburettor cars</b>		
1	13.14716	Propshaft magnet	2	
2	13.14717	Sensor	1	
3	13.14718	Cable	1	
4	26.12005	Sensor bracket. On hypoid cradle	1	See also section 3.7
5	692146	Screw, M6 x 20	2	} Bracket to hypoid cradle
6	692046	Washer, spring, M6	2	
7	692056	Washer, plain, M6	2	
8	692126	Screw, M4 x 8, sensor locking	1	
-	692607	Grubscrew, M4 x 4, sensor locking	1	Later cars
-	13.16329	Control box	1	} Up to chassis no. 13029
-	13.16330	Bellows	1	
9	13.14719	Control box	1	} From chassis no. 13030
10	13.14720	Bellows	1	
11	13.14721	Bellows bracket	1	
12	13.14723	Throttle cable	1	
-	13.17921	Throttle cable	1	Emission Control Engines (USA)
-	-	Cable support	1	See also section 2.1
-	13.14724	Cable trunnion	1	
-	13.14725	Screw, cable trunnion	1	
-	13.14726	Adjuster, cable trunnion	1	
-	13.14727	Nut, cable trunnion adjuster	1	
13	13.14728	Clip, cable trunnion adjuster	1	
-	692446	Tee, 10-6-10mm	1	} Early cars
-	13.14731	Vacuum hose, bellows	1	
-	692201	Tee, 6-6-6mm	1	} Later cars
14	692644	Vacuum hose, 7/32 in. ID., bellows	as reqd	
15	692613	Hose clip, 8-16 mm, bellows	1	
-	13.14730	Switch, steering column, RHD	1	} Early cars
-	13.15561	Switch, steering column, LHD	1	
		<b>EFI cars</b>		
		<b>See section 2.5B for throttle tower linkage</b>		
16	37.21592	Vacuum pump	1	
-	692215	Bolt, M5 x 20	3	} Vacuum pump fixings
-	692045	Washer, spring, M5	3	
-	693766	Screw, M5 x 20	3	
-	692065	Washer, shakeproof, M5	3	
-	692055	Washer, plain, M5	3	
17	693280	Tubing, 6mm ID	as reqd	
18	692201	Tee piece, 6-6-6 mm	1	
-	692133	Loctite 'Pipeseal'	as reqd	
19	37.21593	Control unit	1	
-	37.23399	Control unit, with 'Resume off' facility	1	From the end of 1986
20	37.21595	Overspeed relay	1	Not fitted after April 1988
-	692215	Bolt, M5 x 20	3	} Control unit and overspeed relay fixing
-	692045	Washer, spring, M5	3	
-	692055	Washer, plain, M5	3	
-	095.069.0154	Spacer	2	

# ELECTRICS

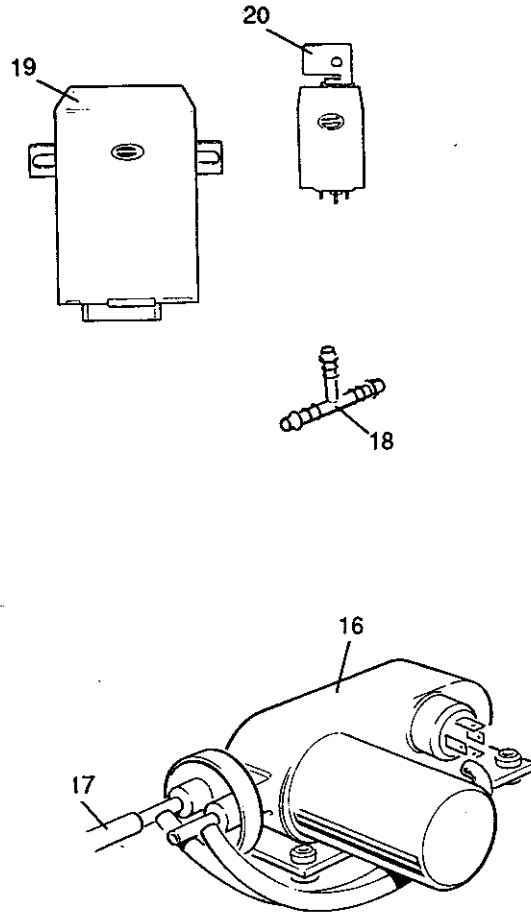
## Components and Wiring Cruise Control and Overspeedwarning



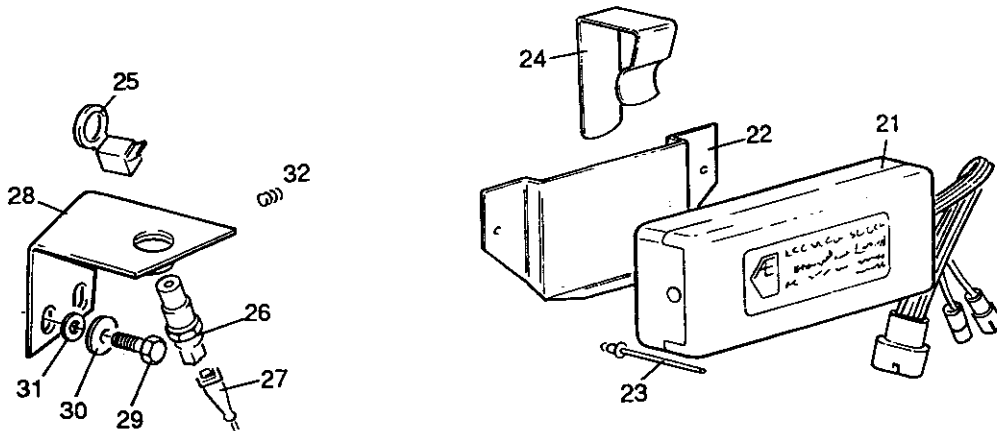
Cruise Control - Carburettor Cars



Cruise Control - EFI Cars



Overspeed Warning





## ELECTRICS

 Components and Wiring  
 Cruise Control and Overspeed Warning

Illus No.	Part Number	Description	Qty	Remarks
		<b>Overspeed warning - Saudi Arabian cars</b>		
21	37.16838	Control unit	1	
-	37.16835	Control unit bracket	1	
-	123145	Rivnut, 2BA	2	Cars up
-	110871	Setscrew, 2BA x 1/2 in.	2	to 1983
-	692065	Washer, shakeproof, M5	2	
22	37.19669	Control unit bracket	1	
23	110859	Pop rivet, 1/8 in. Bracket to 'A' post.	2	Cars from 1984. Not EFI cars
24	692829	Clip, control unit to bracket	1	
25	13.14716	Propshaft magnet	2	
26	13.14717	Sensor	1	
27	13.14718	Cable	1	
-	692832	Harness plug, 2 way	1	
-	692703	Pin, 3mm	2	
28	26.19473	Sensor bracket. On hypoid cradle	1	See also section 3.7
29	692146	Screw, M6 x 20	2	Bracket
30	692046	Washer, spring, M6	2	to
31	692056	Washer, plain, M6	2	hypoid cradle
32	692126	Screw, M4 x 8, sensor locking	1	
-	692607	Grubscrew, M4 x 4, sensor locking	1	Later cars
				Not EFI cars







**ELECTRICS**

**Components and Wiring  
Harnesses and Cables**

Illus No.	Part Number	Description	Qty	Remarks
-	37.10966	RH engine bay, RHD (Early W/screen wiper motor)	1	Up to chassis no. 13029
-	37.15449	RH engine bay, RHD	1	From chassis no.13030-13136
-	37.17353	RH engine bay, RHD (For rear air-conditioning)	1	(Early W/screen wiper motor)
-	37.17493	RH engine bay, RHD	1	From chassis no.13142 to1982
-	37.17492	RH engine bay, RHD (For rear air-conditioning)	1	(Later W/screen wiper motor)
-	37.18086	RH engine bay, RHD	1	From chassis no.13257.(1983)
-	37.18708	RH engine bay, RHD	1	From chassis no.13284.(1983)
-	37.20053	RH engine bay, RHD	1	From chassis no.13380.(1985)
-	37.21442 [1]	RH engine bay, RHD	1	EFI cars. Not VF instruments.
-	37.15751	LH engine bay, LHD	1	Up to chassis no. 13137
-	37.17067	LH engine bay, LHD (For rear air-conditioning)	1	(Early W/screen wiper motor)
-	37.17495	LH engine bay, LHD	1	From chassis no.13138 to1982
-	37.17494	LH engine bay, LHD (For rear air-conditioning)	1	Later W/screen wiper motor)
-	37.18087	LH engine bay, LHD	1	From chassis no.13257.(1983)
-	37.18707	LH engine bay, LHD	1	From chassis no.13284.(1983)
-	37.20160	LH engine bay, LHD	1	From chassis no.13380.(1985)
-	37.20750	LH engine bay, LHD	1	From chassis no.13426.(1985)
-	37.21446 [1]	LH engine bay, LHD	1	EFI cars. Not VF instruments.
-	37.10967	Headlamp box	2	Cars up to chassis no. 13209; except 13206
-	37.17696	Headlamp box, RH	1	Cars up to 1983
-	37.17697 [1]	Headlamp box, LH	1	} Cars from chassis no. 13210; including 13206 } Not VF inst.
-	37.18711 [1]	Headlamp box, RH	1	
-	37.22271 [2]	Headlamp box, RH & LH	2	Cars with Vac-flourescent inst.
-	37.14905 [1]	Relay, headlamp box harness.	2	Cars from chassis no.13206/10
-	37.10968	Boot lid	1	Not USA cars
-	37.20051 [1]	Boot lid	1	From chassis no.13380.(1985)
-	37.22273 [2]	Boot lid	1	} Cars from chassis } Cars with Vacuum } No. 13505 approx. } Flourescent } instruments
-	37.22274 [2]	Boot lid	1	
-	37.24194	Boot lid	1	
-	37.10969	Boot interior	1	Cars with supplementary rear lights. Up to 1983.
-	37.17065	Boot interior	1	Cars without supplementary rear lights. Up to 1983.
-	37.11016	Chassis. Early cars	1	} Cars with supplementary } rear lights.
-	37.15860	Chassis. Later cars, Mid 1980 to 1983	1	
-	37.17066	Chassis	1	Cars without supplementary rear lights. Up to 1983.
-	37.18702	Boot interior and chassis	1	From chassis no.13284.(1983)
-	37.20052	Boot interior and chassis	1	From chassis no.13380.(1985)
-	37.21444 [1]	Boot interior and chassis	1	EFI cars. Not VF instruments.
-	37.22272 [2]	Boot interior and chassis	1	EFI cars with VF instruments.
-	37.23346	Boot interior and chassis	1	From chassis no. 13540/1
-	37.13924	Front seat	2	Cars up to 1983
-	37.18712 [1]	Front seat, driver's	1	} Cars from chassis no. } 13284. (1983). Not VF inst.
-	37.18713 [1]	Front seat, passenger's	1	
-	37.25323	Front seat, driver's and passenger's	2	Cars from chassis no. 13540/1
-	37.22424 [2]	Front seat switches	1	Cars with Vac-flourescent inst.
-	37.25313	Front seat switches	1	From chassis no. 13540/1

[1] and [2] See notes on page 6.3D.5



## ELECTRICS

Components and Wiring  
Harnesses and Cables

Illus No.	Part Number	Description	Qty	Remarks
-	37.11525	Relay box, RHD	1	Early cars to 1980
-	37.16394	Relay box, RHD	1	} Later cars } to 1984
-	37.17352	Relay box, RHD (For rear air-conditioning)	1	
-	37.20751	Relay box, RHD	1	} From chassis no.13426.(1984) } EFI cars. Not VF instruments.
-	37.21443 [1]	Relay box, RHD	1	
-	37.15752	Relay box, LHD	1	Cars up to 1983
-	37.17151	Relay box, LHD (For rear air-conditioning)	1	From chassis no.13284.(1983)
-	37.18703	Relay box, LHD	1	From chassis no.13380.(1985)
-	37.20159	Relay box, LHD	1	EFI cars. Not VF instruments.
-	37.21447 [1]	Relay box, LHD	1	
-	37.12561	Air-conditioning unit, main, RHD	1	From chassis no.13284.(1983)
-	37.18710	Air-conditioning unit, main, RHD	1	From chassis no.13380.(1985)
-	37.20117	Air-conditioning unit, main, RHD	1	From chassis no. 13540/1
-	37.25382	Air-conditioning unit, main, RHD	1	
-	37.15753	Air-conditioning unit, main, LHD	1	From chassis no.13284.(1983)
-	37.18709	Air-conditioning unit, main, LHD	1	From chassis no.13380.(1985)
-	37.20112	Air-conditioning unit, main, LHD	1	From chassis no. 13540/1
-	37.25383	Air-conditioning unit, main, LHD	1	
-	37.13471 [2]	Auxilliary rear lamps	2	Not USA or Middle East cars
-	37.14183	Interior and doors, RHD	1	Early cars
-	37.16520	Interior and doors, RHD	1	Later cars from Mid 1980
-	37.18668	Interior and doors, RHD	1	From chassis no.13284.(1983)
-	37.19602	Interior and doors, RHD	1	From chassis no.13335
-	37.20194	Interior and doors, RHD	1	From chassis no.13380.(1985)
-	37.21445 [1]	Interior and doors, RHD	1	EFI cars. Not VF instruments.
-	37.22421 [2]	Interior and engine bay, RHD	1	EFI cars with VF instruments
-	37.23466	Interior and doors, RHD	1	From chassis no. 13540/1
-	37.15754	Interior and doors, LHD	1	Cars up to 1983
-	37.17992	Interior and doors, LHD	1	USA cars. Up to 1983
-	37.18667	Interior and doors, LHD	1	From chassis no.13284.(1983)
-	37.20272	Interior and doors, LHD	1	From chassis no.13380.(1985)
-	37.21448 [1]	Interior and doors, LHD	1	EFI cars. Not VF instruments.
-	37.22389 [2]	Interior and engine bay, LHD	1	EFI cars with VF instruments.
-	37.23408	Interior and doors, LHD	1	From chassis no. 13540/1
-	37.12069	Battery to starter motor	1	Cars up to 1983
-	37.12060	Battery to master switch. 35.1/2 in. long	1	Early cars
-	37.17227	Battery to master switch. 30 in. long	1	Later cars to 1983
-	37.18914	Battery to master switch. 28.1/2 in./72cm.long	1	From chassis no.13284.(1983)
-	37.20797 [2]	Battery to master switch. 30 in./75 cm. long	1	From chassis no.13426.(1985)
-	37.23515	Battery to master switch	1	From chassis no. 13540/1
-	37.18911	Battery to earth	1	From chassis no.13284.(1983)
-	37.20799	Battery to earth	1	From chassis no.13426.(1985)
-	37.22290 [2]	Battery to earth	1	From 1986. For later battery
-	37.23345	Battery to earth	1	From chassis no. 13540/1
-	37.14353	Master switch to earth	1	Cars up to 1983
-	37.18916 [2]	Master switch to stud	1	From chassis no.13284.(1983)
-	37.23516	Master switch to starter	1	From chassis no. 13540/1
-	37.14025	Passenger door, RHD	1	Early cars, up to Mid 1980
-	37.16521	Passenger door, RHD	1	Later cars, Mid 1980 to 1981
-	37.15707	Passenger door, LHD	1	Cars up to 1981
		[1] and [2] See notes on page 6.3D.5		



## ELECTRICS

Components and Wiring  
Harnesses and Cables

Illus No.	Part Number	Description	Qty	Remarks
-	37.14026	Driver's door, RHD	1	Early cars, up to Mid 1980
-	37.16522	Driver's door, RHD	1	Later cars, Mid 1980 to 1981
-	37.15766	Driver's door, LHD	1	Cars up to 1981
-	37.17253	Passenger door, RHD/LHD	1	} Later cars with 20 oz. magnet speakers. 1981 to 1983.
-	37.17254	Driver's door, RHD/LHD	1	
-	37.17991	Passenger door, LHD	1	USA cars. Up to 1983
-	37.17990	Driver's door, LHD	1	USA cars. Up to 1983
-	37.14191	Warning lamps, RHD	1	Cars up to 1983
-	37.18706	Warning lamps, RHD	1	From chassis no.13284.(1983)
-	37.18705	Warning lamps, RHD	1	From chassis no. 13335 to chassis no.13379 approx.-1985
-	37.15757	Warning lamps, LHD	1	Cars up to 1983
-	37.18705	Warning lamps, LHD	1	From chassis no.13284;1983to chassis no.13379 approx.-1985
-	37.13472	Interior lamps	1	
-	37.19874 [2]	Interior lamps	1	From chassis no. 13385
-	37.25314	Interior lamps	1	From chassis no. 13540/1
-	37.14351	Front interior lamp box	1	
-	37.19873 [2]	Front interior lamp box	1	From chassis no. 13385
-	37.25317	Front interior lamp box	1	From chassis no. 13540/1
-	37.14352 [2]	Rear interior lamp box	2	
-	37.25319	Rear interior lamp box	1	From chassis no. 13540/1
-	37.14354	Bonnet lamp feed	1	
-	37.25749	Bonnet lamp	1	From chassis no. 13540/1
-	37.14355	Hazard switch and panel illumination	1	Early cars, up to Mid 1980
-	37.16393	Hazard switch and panel illumination	1	Cars from Mid 1980 to 1983
-	37.18737	Hazard switch and panel illumination	1	From chassis no.13284.(1983)
-	37.20283 [1]	Hazard switch and panel illumination	1	From chassis no.13380.(1985)
-	37.17795	Hazard switch and panel illumination	1	USA cars. Up to 1983
-	37.18903	Hazard switch and panel illumination	1	USA cars. From chassis no. 13284 (1983) to 13379 approx.
-	37.22661 [2]	Hazard switch	1	Cars with Vac-flourescent inst.
-	37.25322	Hazard switch	1	From chassis no. 13540/1
-	37.14452	Radio	1	
-	37.14453	Console	1	Cars up to 1983
-	37.15653	Rear fog lamps.	1	From approx chassis no. 13029 to 1983. Not USA cars.
-	37.18015	Second stop lamp	1	USA cars up to 13379 approx.
-	37.14027	Gearchange warning	1	Early cars, up to 1980
-	37.12657	Door lock motor	2	Cars up to 1983
-	37.16909	Passenger door mirror	1	Cars up to 1983
-	37.24206	Door mirror	2	From chassis no. 13540/1
-	37.16208	Electric fans, RHD	1	Early cars - 3 relays
-	37.16799 [1]	Electric fans, RHD. Not on vac-flourescent inst.cars	1	Later cars - 2 relays
-	37.15840	Electric fans, LHD	1	Early cars - 3 relays
-	37.16800 [1]	Electric fans, LHD. Not on vac-flourescent inst.cars	1	Later cars - 2 relays
-	37.21624	Electric fans, RHD & LHD	1	
-	37.23019 [2]	Electric fans, RHD & LHD. } From	1	Cars
-	37.23237 [2]	Electric fans, RHD & LHD. } Mid 1986	1	with
-	37.25333	Electric fans, RHD & LHD	1	VF
-	37.24039	Electric fans, RHD & LHD	1	inst.
-	37.26499	Electric fan, RHD & LHD	1	6-bladed fan
-	37.26501	Electric fan, RHD & LHD	1	Ballast resister not fitted
		[1] and [2] See notes on page 6.3D.5		Not Swiss cars. } From chassis
				Swiss cars } no. 13540/1
				For use with rad. 32.26425



**ELECTRICS**

**Components and Wiring  
Harnesses and Cables**

Illus No.	Part Number	Description	Qty	Remarks
-	37.16209	Electric fans, fuse feed	1	Not EFI cars
-	37.15763	Low vaccum unit	1	Cars up to 1983
-	37.14454 [1]	Fuse box link	2	Yellow
-	37.14455 [1]	Fuse box link	1	Brown
-	37.14456 [1]	Fuse box link	1	Blue/Green
-	37.14581 [1]	Fuse box link	1	Blue/Brown
-	37.22721 [2]	Fuse box link	1	Blue/White } Cars with
-	37.22722 [2]	Fuse box link	1	White } VF instruments
-	37.17706 [1]	Link - Air conditioning pressure switches	1	Brown/Black
-	37.17725	Seat belt and choke. } Up to chassis no.	1	
-	691765	Bulb, 12V 2W } 13379 approx. } USA cars	1	From chassis no.13380 approx
-	37.20569	Seat belt and choke	1	EFI cars. Not VF instruments
-	37.21457 [1]	Seat belt	1	EFI cars with VF instruments
-	37.22478	Seat belt	1	Not EFI cars
-	37.17718	Vacuum pump	1	USA and Mid.East cars
-	37.25321	Seat belt	1	from chassis no. 13540/1
-	095.037.0039	Alternator lead to starter	1	75 amp alternator
-	37.17878	Alternator lead to starter and stud. Up to 1983	1	For rear air-conditioning
-	37.21462	Alternator lead to starter and stud	1	From chassis no. 13540/1
-	095.037.0007	Engine and alternator to earth [1]	1	For alternator 09.22308
-	37.22720	Engine and alternator to earth	1	For alternator 09.25299/26764
-	37.25344	Engine and alternator to earth	1	LHD
-	37.16339	Chassis stud to stud	1	RHD
-	37.18918 [2]	Starter to stud	1	LHD Cars from 1983
-	37.19021 [2]	Starter to stud	1	
-	37.18920 [1]	Alternator to starter	1	Cars with VF instruments
-	37.22719 [2]	Alternator to starter	1	
-	096.037.0004	Automatic gearbox	1	From March 1988
-	37.26099	Automatic gearbox	1	For rear air-conditioning
-	37.16843 [1]	Front glass timer	1	
-	37.17150 [2]	Rear air-conditioning unit	1	From chassis no. 13540/1
-	37.25318	Rear air-conditioning unit	1	Cars up to 1983
-	37.17354	Rear air-conditioning	1	Cars up to 1983
-	37.17068	Max air conditioning switch	1	Up to chassis no. 13425
-	37.17071	Regulator lead. (Rear air-conditioning)	1	Australian cars up to 1985
-	37.17620	Bulb holder and harness, for "Parking Brake" lamp	1	
-	37.18205	Bulb holder and harness, for "120 kmh" lamp	1	From 1984 to 1985 } Saudi
-	37.19684	Bulb holder and harness, for "120 kmh" lamp	1	For warning lamps } Arabia
-	691765	Bulb, 12V 2W	1	Black
-	37.18766 [2]	Roof aerial earth	1	Brown/Green } Cars from 1983
-	37.18800 [1]	Heated rear screen feed	1	Black
-	37.18875 [2]	Heated rear screen earth	1	Black
-	37.18894 [2]	Heated front glasses earth	2	Black
-	37.18895 [1]	Heated front glasses feed	2	Orange

[1] and [2] See notes on page 6.3D.5



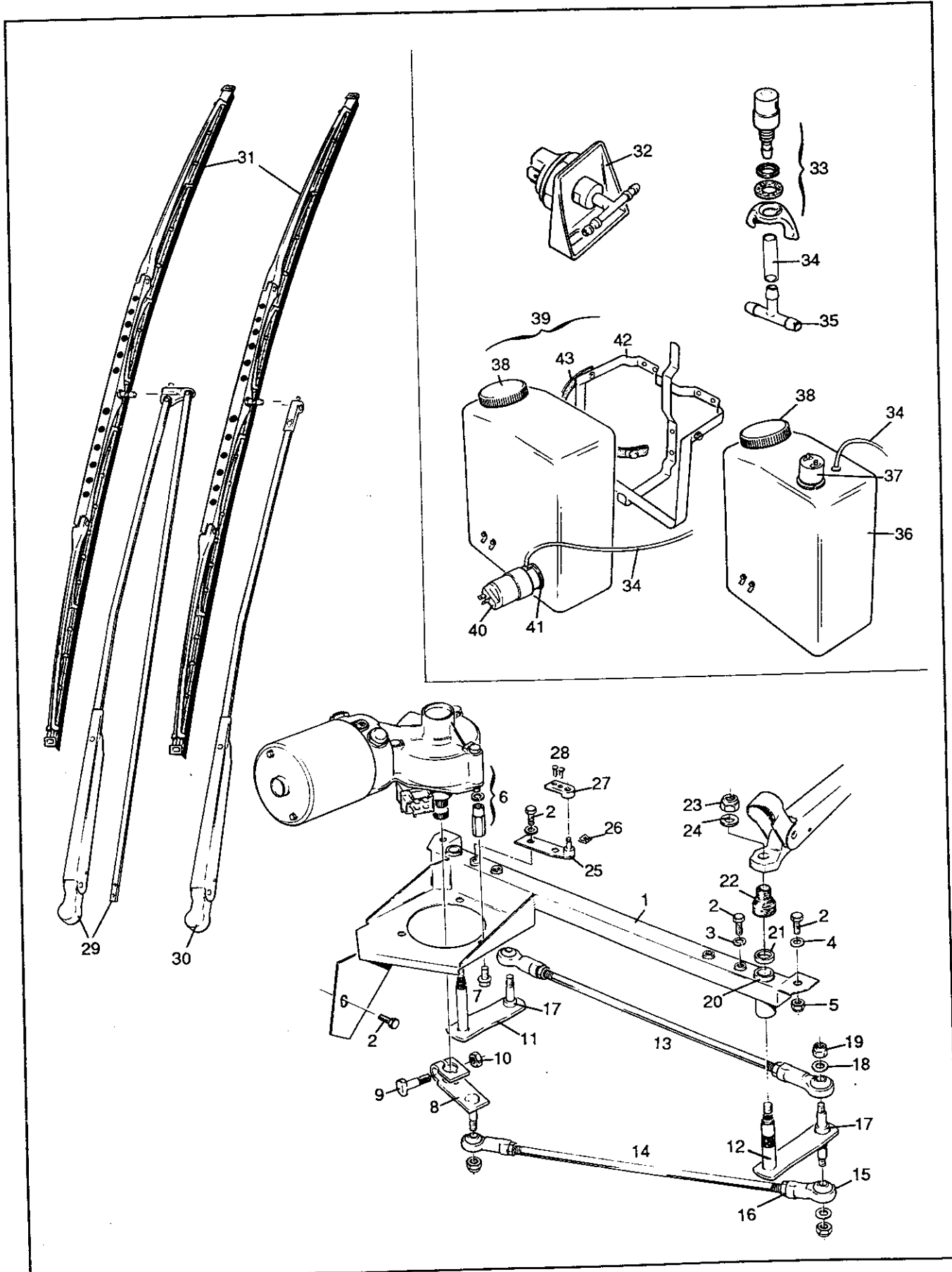
## ELECTRICS

### Components and Wiring Harnesses and Cables

Illus No.	Part Number	Description	Qty	Remarks
-	37.20643 [1]	Computer - Timer/relay/choke	1	
-	37.20780 [1]	High voltage boards to voltage stabilisers	1	
-	37.20425 [1]	Link, Inner binnacle switch panel to transformer	3	Slate EFI cars
-	37.21673 [1]	Interface assembly, rev counter	1	
-	38.21939 [1]	Dimmer switch assembly to high voltage boards, manual C.R.T. dimming	1	
-	37.20671	Engine sensor extension.	1	Later cars
-	37.21252	Oil pressure switch extension	1	Not EFI cars
-	37.21796 [2]	High stop lamp. (To lamp) USA	1	Not EFI cars
-	37.21797 [2]	High stop lamp. (Boot lid) cars	1	
-	37.25326	High stop lamp. (To lamp)	1	Cars from chassis no. 13540/1
-	37.25325	High stop lamp. (Boot lid)	1	
-	37.22082 [2]	Side repeater lamp	2	} UK cars from April 1986 } From chassis no. 13540/1
-	37.24195	Side repeater lamp	2	
-	37.21452 [1]	EFI harness to temperature sensors	1	
-	37.20475 [1]	EFI	1	
The harnesses listed below were introduced on cars with Vacuum Fluorescent instruments. (1986)				
-	37.22275	EFI	1	
-	37.23570	EFI RHD From Mid 1987	1	
-	37.23569	EFI LHD revised harness route	1	
-	37.21843 [2]	Instrument supply	1	
-	37.24200	Instrument supply. From chassis no. 13540/1	1	
-	37.22479 [2]	Switch panel, RH	1	
-	37.25315	Switch panel, RH From chassis no. 13540/1	1	
-	37.22480 [2]	Switch panel, LH	1	Not French cars
-	37.25316	Switch panel, LH From chassis no. 13540/1	1	Not French cars Not Swiss cars from Nov. 1987
-	37.25807	Switch panel, LH From chassis no. 13540/1	1	Swiss cars from Nov. 1987
-	37.22650	Switch panel, LH	1	French cars
-	37.22649	Cable, dipswitch to instrument panel	1	French cars
-	37.22810	Radio speaker	1	From June 1986
-	37.23033 [2]	Cigar lighter	1	
-	37.25320	Cigar lighter	1	
-	37.25230	Number plate lamps	1	
-	37.25698	Plug assembly, engine sensor	1	} From } chassis no. } 13540/1
-	37.25635	Front fog lamp relay	1	
-	37.25759	Instrument speaker	1	Swiss cars with later single electric radiator fan
-	37.26430	Vacuum valve, air filter unit	1	
-	37.21900	'P' clip, harness support	4	
-	692045	Washer, plain, M4	4	} 'P' clips } to bulkhead
-	692210	Screw, M4 x 12	4	
<p><b>Note:</b> Later harnesses marked [1] are not fitted to cars with VF (Vacuum Fluorescent) instruments. Later harnesses marked [2] are not fitted to cars after chassis no. 13539.</p>				

# ELECTRICS

Windscreen Wipers and Washers  
Up to Chassis No. 13137





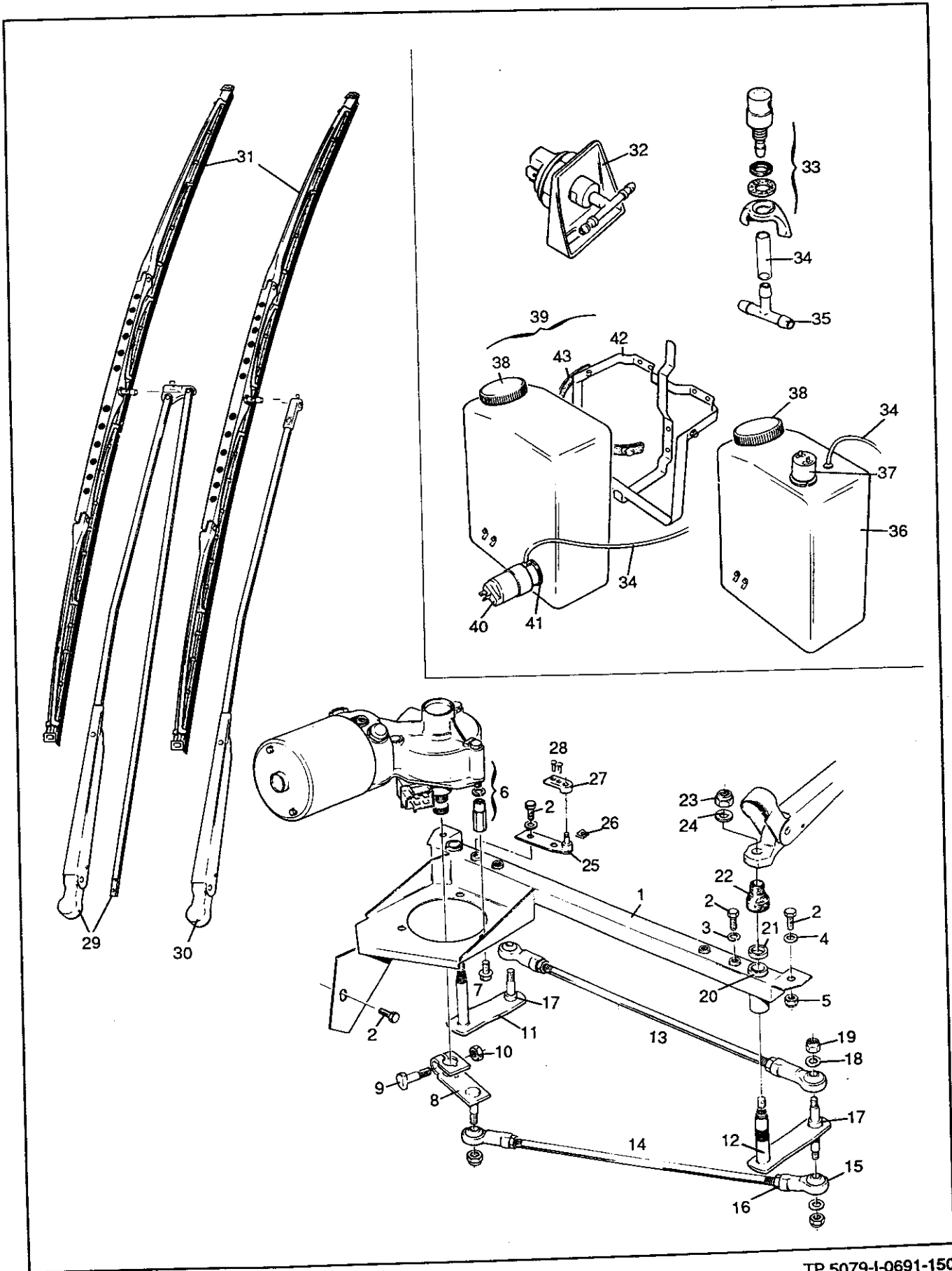
**ELECTRICS**

**Windscreen Wipers and Washers  
Up to Chassis No. 13137**

Illus No.	Part Number	Description	Qty	Remarks
1	37.11804	Mounting bracket, wiper	1	RHD
-	37.11803	Mounting bracket, wiper	1	LHD
2	692262	Screw, M6 x 12	6	} Bracket attachment
3	692580	Washer, spring, M6	4	
4	692056	Washer, plain, M6	7	
-	110911	Washer, special, 9/32 in. ID. x 3/4 in. OD.	1	
5	692151	Nut, Nyloc, M6	2	
-	37.13207	Shim strip	as reqd	
6	37.11476	Motor, wiper	1	Now obsolete. Use later wiper motor and bracket assy.
7	692088	Screw, M6 x 16	3	} Motor to bracket
-	692066	Washer, shakeproof, M6	3	
-	692056	Washer, plain, M6	3	
8	37.11814	Actuating arm, wiper motor	1	} Driver's side
9	37.11831	Pinch bolt	1	
-	692580	Washer, spring, M6	1	} Passenger's side
10	692076	Nut, M6	1	
11	37.12913	Actuator, wiper arm	1	} Driver's side
12	37.12912	Actuator, wiper arm	1	
13	37.11825	Connecting rod, 14. 1/2 in.	1	} Passenger's side
14	37.11826	Connecting rod, 12. 1/2 in.	1	
15	692290	Bearing, rod end	4	} Pantograph arm to bearing block
16	692555	Lock-nut, M8	4	
17	37.11827	Spacer	4	
18	692057	Washer, plain, M8	4	
19	692135	Nut, Nyloc, M8	4	
20	692375	Bush, spindle	4	
21	37.11830	Retaining-ring, spindle	2	
22	37.12029	Seal, spindle	2	
23	37.15169	Retaining-nut, wiper arm	2	
24	692057	Washer, plain, M8	2	
25	37.17972	Bracket, pantograph arm mounting	1	RHD
-	37.17973	Bracket, pantograph arm mounting	1	LHD
26	692379	Fixer spring	1	} Delay switch to relay panel
27	37.13181	Bearing block, pantograph arm	1	
28	691125	Screw, 4BA x 1/4 in., round head	2	} Part of delay kit 37.11488
29	37.11448	Wiper arm, pantograph	1	
-	37.15772	Wiper arm, pantograph	1	(Driver's side) RHD
30	37.11337	Wiper arm	1	(Driver's side) LHD
31	37.11336	Blade, wiper	1	Passenger's side
32	-	Switch, wash-delay	2	} Delay switch to relay panel
-	692040	Hankbush, M4	1	
-	692054	Washer, plain M4	2	
-	692064	Washer, shakeproof, M4	2	
-	692126	Screw, M4 x 8	2	
33	37.26063	Jet, screenwash	2	} Part of delay kit 37.11488
34	692319	Tubing, screenwash, 4 mm ID.	2	
-	020.037.0190	'P' clip, tubing	as reqd	
-	122422	Washer, plain, 2 BA	as reqd	
-	627.000.0804	Screw, 'Posidrive', No. 8 x 1/2 in.	as reqd	

# ELECTRICS

Windscreen Wipers and Washers  
Up to Chassis No. 13137







**ELECTRICS**

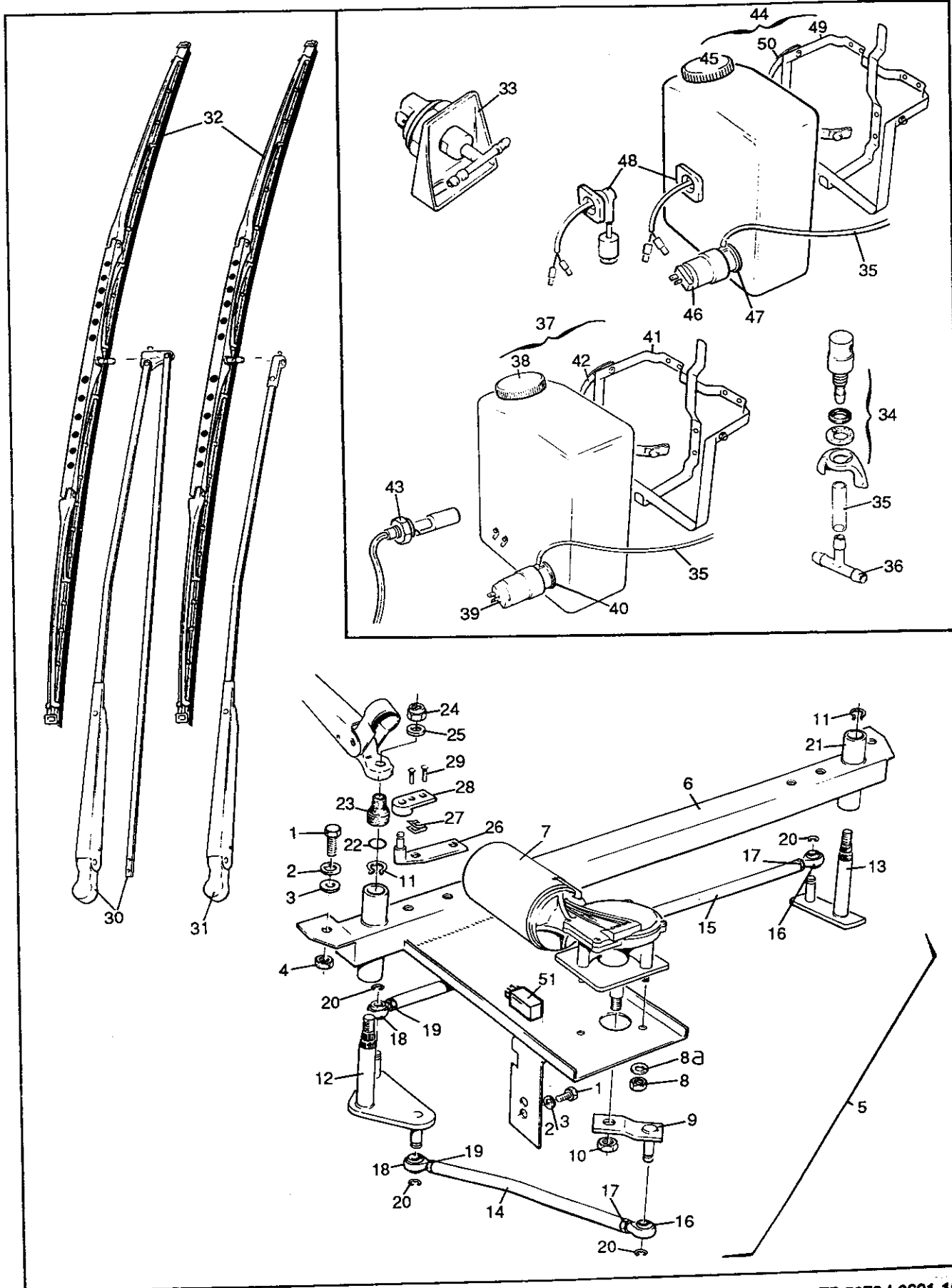
**Windscreen Wipers and Washers  
Up to Chassis No. 13137**

Illus No.	Part Number	Description	Qty	Remarks	
35	08.21067	Tee, screenwash, 4-4-4 mm	1	} Early cars	
-	37.11145	Panel, screenwash bottle	1		
36	37.12180	Pump and bracket assembly, screenwash bottle	1		
37	080.037.0147	Pump	1		
-	96.14807	Filter	1		
-	96.14808	Valve, by-pass	1		
38	96.14809	Cap	1		
39	37.16271	Pump and bracket assembly, screenwash bottle	1		
40	37.15256	Pump	1		} Later cars
41	37.15255	Grommet, fixing	1		
42	32.17059	Frame, support and strap	1		
43	37.12183	Strap, retaining	1		
-	692262	Screw, M6 x 12	1	} Bottle to panel	
-	692046	Washer, spring, M6	3		
-	692056	Washer, plain, M6	3		

# ELECTRICS



Windscreen Wipers and Washers  
RHD from Chassis No 13142 to Chassis No. 13538





**ELECTRICS**

**Windscreen Wipers and Washers  
RHD from Chassis No. 13142 to Chassis No. 13538**

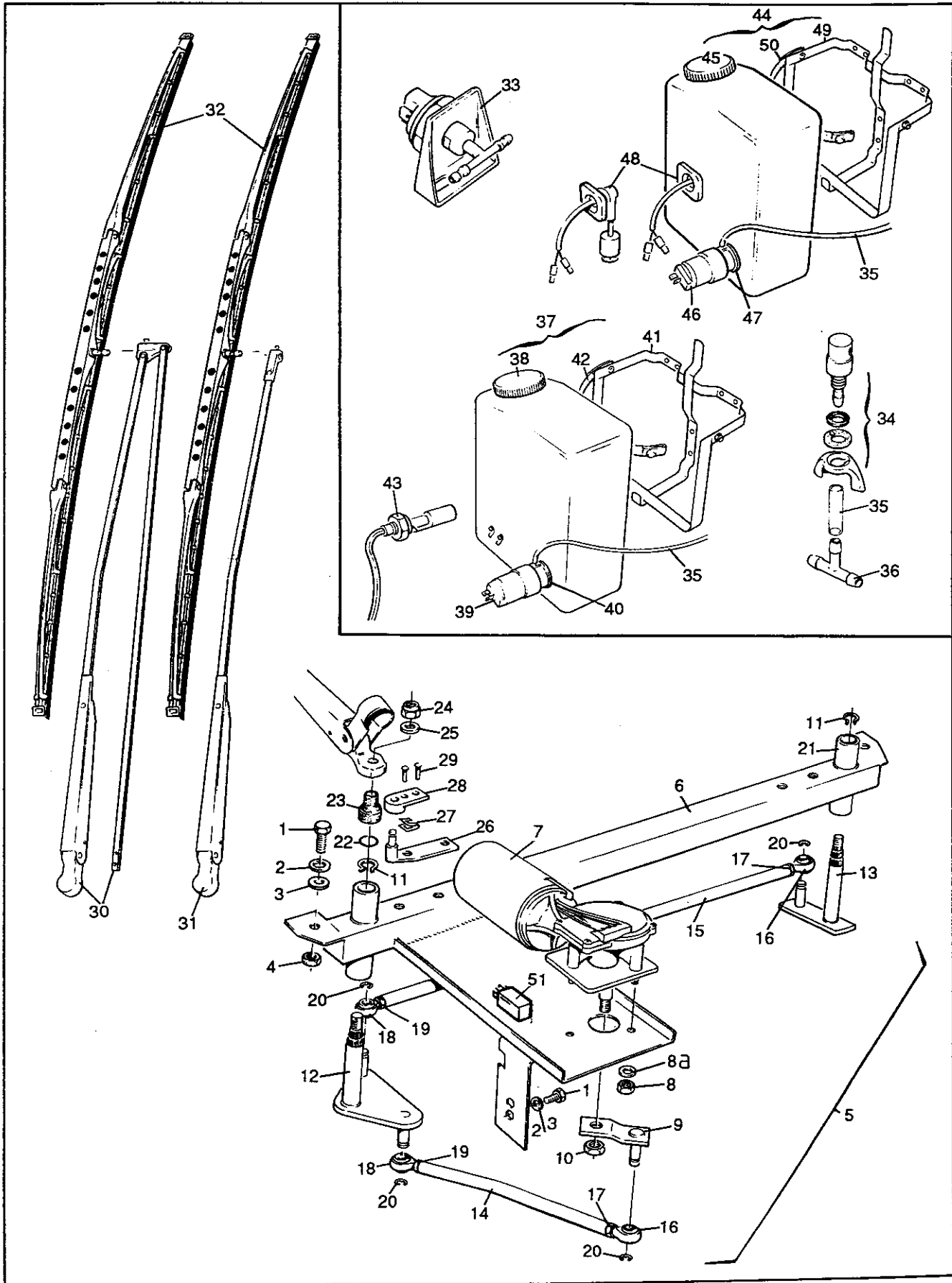
Illus No.	Part Number	Description	Qty	Remarks	
1	692262	Screw, M6 x 12	6	} Bracket attachment	
2	692580	Washer, spring, M6	5		
3	692056	Washer, plain, M6	7		
-	110911	Washer, special, 9/32 in. ID x 3/4 in. OD	1		
4	692151	Nut, Nyloc, M6	2		
-	37.13207	Shim strip	as reqd		
-	37.22076	Angle bracket, wiper motor and linkage assembly	1		
5	37.17476	Wiper motor, bracket and linkage assembly	1		From January 1986
-	37.19654	Wiper motor, bracket and linkage assembly	1		Use 37.22073
-	37.22073	Wiper motor, bracket and linkage assembly	1		From February 1984.
6	37.17479	Mounting bracket, wiper	1	Use 37.22073	
-	37.19686	Mounting bracket, wiper	1	From January 1986	
-	TBA	Mounting bracket, wiper	1	From February 1984	
7	37.17483	Motor, wiper	1	From January 1986	
8	692076	Nut, M6	3	} Motor to bracket	
8A	692066	Washer, shakeproof, M6	3		
9	37.17744	Actuating arm, wiper motor	1		
-	37.19689	Actuating arm, wiper motor	1	From February 1984	
10	37.17743	Locknut	1		
11	37.17746	Circlip	2		
12	37.17738	Actuator, wiper arm, driver's side	1		
-	37.19688	Actuator, wiper arm, driver's side	1	From February 1984	
-	37.22077	Actuator, wiper arm, driver's side	1	From January 1986	
13	37.18222	Actuator, wiper arm, passenger's side	1		
-	37.17745	Actuator, wiper arm, passenger's side	1	From February 1984	
14	37.17739	Connecting rod, short	1		
-	37.22041	Connecting rod, short	1	From January 1986	
15	37.17740	Connecting rod, long	1		
16	37.17481	Bearing, rod end	2		
17	37.17741	Locknut	2		
18	37.17482	Bearing, rod end	2		
19	37.17736	Lock nut	2		
20	37.17742	Circlip	4		
21	37.17478	Bush, spindle	8		
22	37.17477	Seal ring, spindle	2		
23	37.18223	Seal, spindle	2		
24	37.17484	Retaining nut, wiper arm	2		
-	692830	Retaining nut, wiper arm, dome head, black, M8	2	Use with square-tubed wiper arms if close to bonnet	
25	692057	Washer, plain, M8	2		
26	37.17972	Bracket, pantograph arm mounting	1		
-	37.17820	Shim, 1mm thick	as reqd		
-	37.17821	Shim, 2mm thick	as reqd		
27	692379	Fixer spring	1		
28	37.13181	Bearing block, pantograph arm	1		
29	691125	Screw, 4BA x 1/4 in., round head	2		
-	110862	Screw, 4BA x 1/4 in., countersunk head	2	For square-tubed wiper arms	
-	692184	'Loctite'	as reqd	} Pantograph arm to bearing block	
30	37.11448	Wiper arm, pantograph, driver's side	1		
-	37.18771	Wiper arm, pantograph, driver's side	1	Square-tubed. From 1983	

# ELECTRICS



## Windscreen Wipers and Washers

RHD from Chassis No 13142 to Chassis No. 13538





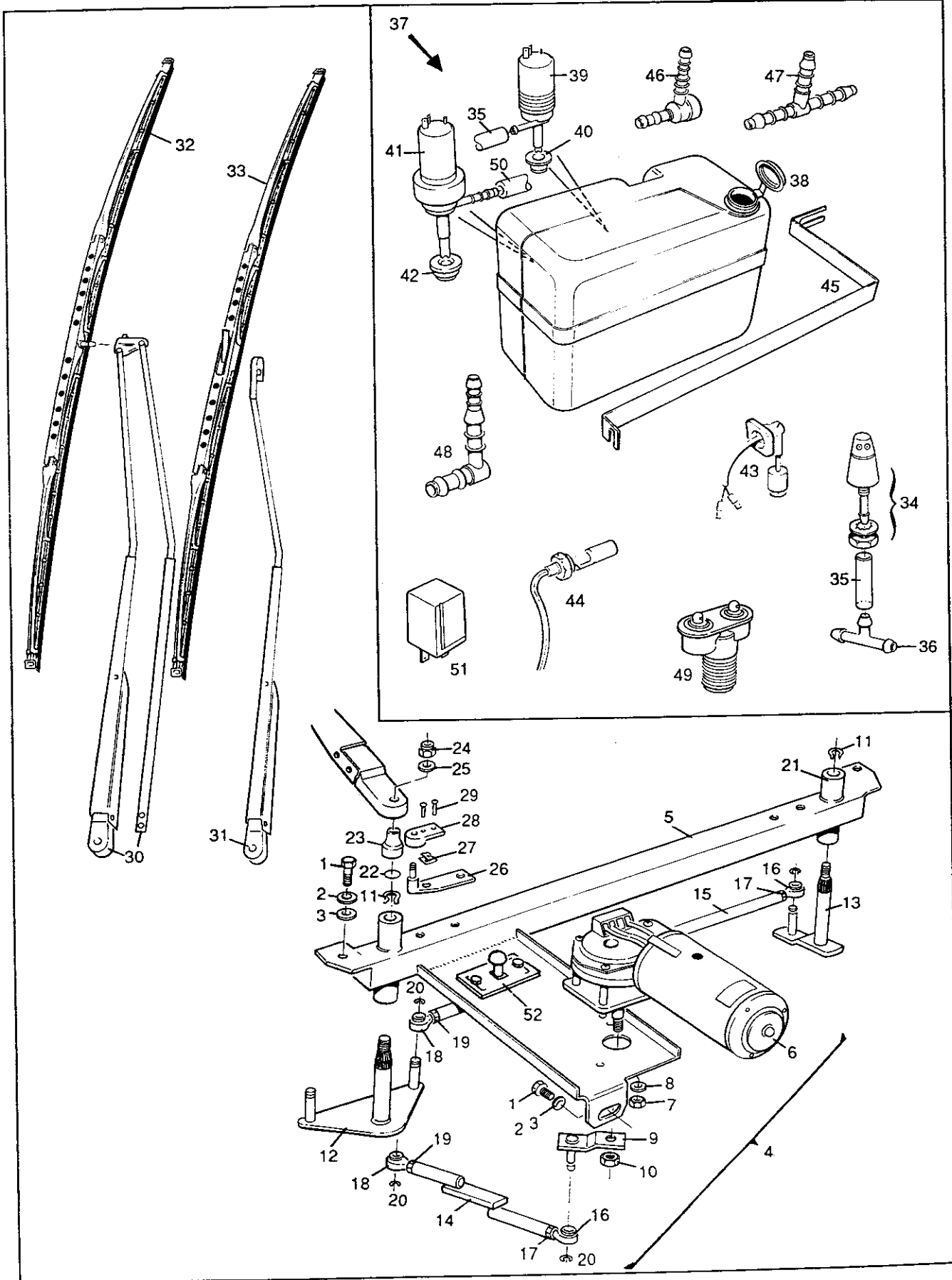
**ELECTRICS**

**Windscreen Wipers and Washers  
RHD from Chassis No. 13142 to Chassis No. 13538**

Illus No.	Part Number	Description	Qty	Remarks
31	37.11337	Wiper arm, passenger's side	1	
-	37.18767	Wiper arm, passenger's side	1	
32	37.11336	Blade, wiper	2	Square-tubed. From 1983
33	-	Switch, wash-delay	1	Part of delay kit 37.11488
-	692040	Hankbush, M4	2	} Delay switch to relay panel
-	692054	Washer, plain, M4	2	
-	692064	Washer, shakeproof, M4	2	
-	692126	Screw, M4 x 8	2	
34	37.26063	Jet, screenwash	2	
35	692319	Tubing, screenwash, 4mm ID	as reqd	
-	020.037.0190	'P' clip, tubing	as reqd	
-	122422	Washer, plain, 2BA	as reqd	
-	627.000.0804	Screw, Posidrive, No. 8 x 1/2 in.	as reqd	
36	08.21067	Tee, screenwash, 4-4-4 mm	1	
-	37.11145	Panel, screenwash bottle	1	
37	37.16271	Pump and bracket assembly, screenwash bottle	1	
38	96.14809	Cap	1	
39	37.15256	Pump	1	
40	37.15255	Grommet, fixing	1	
41	32.17059	Frame and strap	1	
42	37.12183	Strap, retaining	1	
43	37.20902	Float switch	1	Early 3-screen instrument cars
44	37.21141	Pump and bracket assembly, screenwash bottle	1	} Later cars
45	96.14809	Cap	1	
46	37.15256	Pump	1	
47	37.15255	Grommet, fixing	1	
48	37.21142	Float switch	1	
49	32.17059	Frame and strap	1	
50	37.12183	Strap, retaining	1	
-	692262	Screw, M6 x 12	3	} Bottle to panel
-	692046	Washer, spring, M6	3	
-	692056	Washer, plain, M6	3	
51	37.18089	Wash/Wipe timer, black	1	
-	37.18090	Timer clip	1	} From chassis no. 13257 to chassis no. 13406
-	112189	Screw 2BA x 1/2 in.	1	
-	591.000.0403	Washer, shakeproof, No. 10	1	
-	111109	Nut, 2BA	1	

# ELECTRICS

Headlamp Washers and  
Windscreen Wipers and Washers  
RHD From Chassis No. 13551





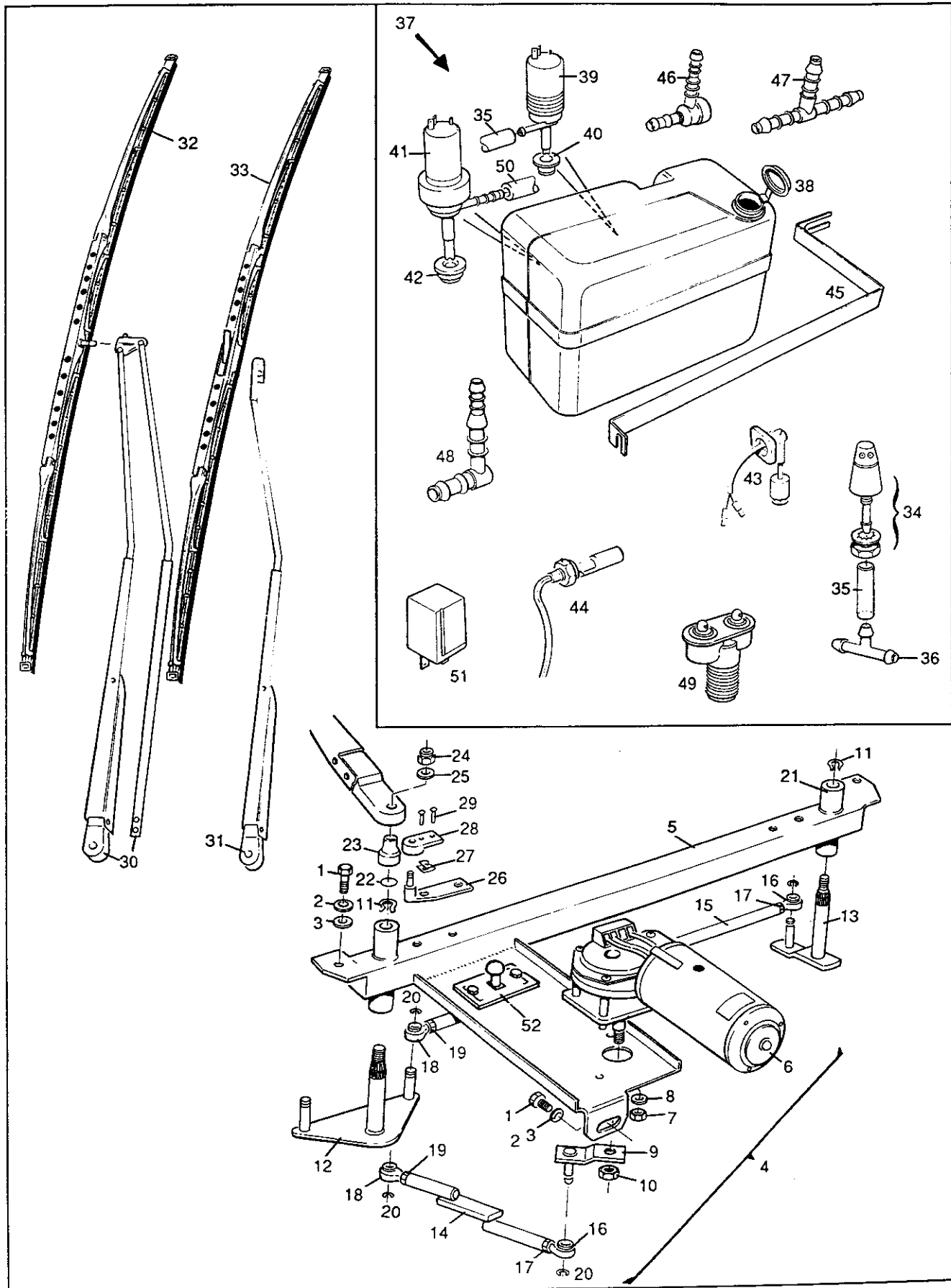
**ELECTRICS**

**Headlamp Washers &  
Windscreen Wipers and Washers  
RHD from Chassis No. 13551**

Illus No.	Part Number	Description	Qty	Remarks
1	692262	Screw, M6 x 12	6	} Bracket attachment
2	692580	Washer, spring, M6	5	
3	692056	Washer, plain, M6	7	
-	110911	Washer, special, 9/32 in. ID x 3/4 in. OD	1	
-	37.13207	Shim strip	as reqd	
-	37.22076	Angle bracket, wiper motor and linkage assembly	1	
4	37.22073	Wiper motor, bracket and linkage assembly	1	} Motor to bracket
5	TBA	Mounting bracket, wiper	1	
6	37.17483	Motor, wiper	1	} Motor to bracket
7	692076	Nut, M6	3	
8	692066	Washer, shakeproof, M6	3	} Motor to bracket
9	37.19689	Actuating arm, wiper motor	1	
10	37.17743	Locknut	1	
11	37.17746	Circlip	2	
12	37.22077	Actuator, wiper arm, driver's side	1	
13	37.17745	Actuator, wiper arm, passenger's side	1	
14	37.22041	Connecting rod, short	1	
15	37.17740	Connecting rod, long	1	
16	37.17481	Bearing, rod end	2	
17	37.17741	Locknut	2	
18	37.17482	Bearing, rod end	2	
19	37.17736	Lock nut	2	
20	37.17742	Circlip	4	
21	37.17478	Bush, spindle	8	
22	37.17477	Seal ring, spindle	2	
23	37.18223	Seal, spindle	2	
24	37.17484	Retaining nut, wiper arm	2	
-	692830	Retaining nut, wiper arm, dome head, black, M8	2	Use if wiper arms are close to bonnet
25	692057	Washer, plain, M8	2	
26	37.17972	Bracket, pantograph arm mounting	1	
-	37.17820	Shim, 1mm thick	as reqd	
-	37.17821	Shim, 2mm thick	as reqd	
27	692379	Fixer spring	1	
28	37.13181	Bearing block, pantograph arm	1	
29	110862	Screw, 4BA x 1/4 in., countersunk head	2	} Pantograph arm to bearing block
-	692184	'Loctite'	as reqd	
30	37.25481	Wiper arm, pantograph, driver's side	1	
31	37.25482	Wiper arm, passenger's side	1	
32	37.11336	Blade, wiper, pantograph arm, driver's side	1	
33	37.25446	Blade, wiper, passenger's side	1	
34	37.26063	Jet, screenwash	2	
35	692319	Tubing, screenwash, 4mm ID	as reqd	
-	020.037.0190	'P' clip, tubing	as reqd	
-	122422	Washer, plain, 2BA	as reqd	
-	627.000.0804	Screw, Posidrive, No. 8 x 1/2 in.	as reqd	
36	08.21067	Tee, screenwash, 4-4-4 mm	1	

# ELECTRICS

Headlamp Washers and  
Windscreen Wipers and Washers  
RHD From Chassis No. 13551







**ELECTRICS**

**Headlamp Washers &  
Windscreen Wipers and Washers  
RHD from Chassis No. 13551**

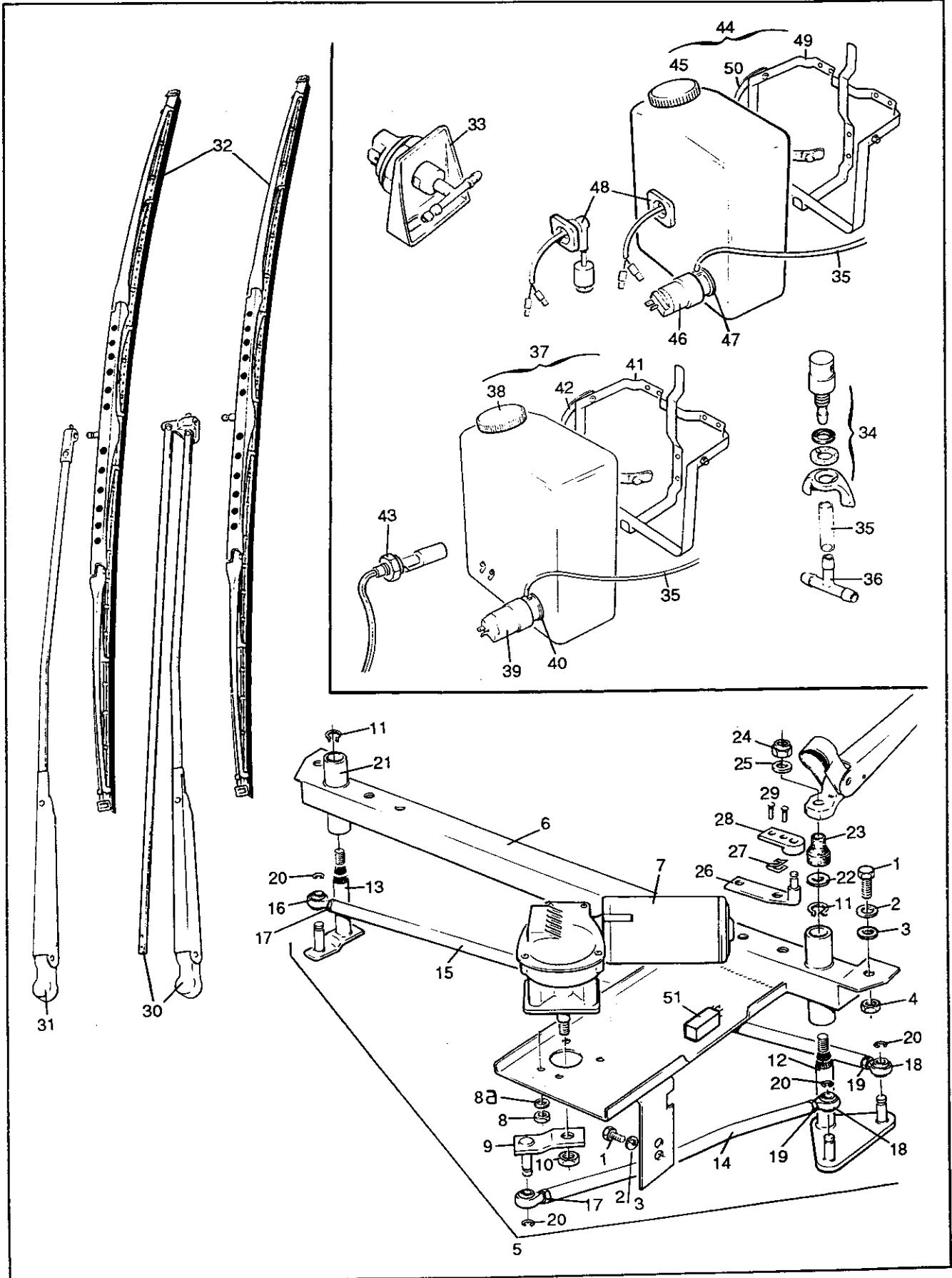
Illus No.	Part Number	Description	Qty	Remarks
37	37.22856	Reservoir assembly	1	Windscreen and headlamp washers
38	37.22870	Filler cap	1	
39	37.22858	Pump, windscreen wash	1	
40	37.22859	Grommet, pump fixing	1	
41	37.22860	Pump, headlamp wash	1	
42	37.22861	Grommet, pump fixing	1	
43	37.21142	Float switch	1	Early cars
44	37.20902	Float switch	1	Later cars
45	37.23334	Retaining strap	1	} Strap fixing
-	692262	Screw, M6 x 12	1	
-	692056	Washer, plain, M6	2	
-	692151	Nut, Nyloc, M6	1	
46	37.23637	Elbow connector, one-way	2	} For headlamp wash tubing
47	37.23386	Tee piece	1	
48	72.23385	Elbow	2	} Fitted into front bumper
49	72.23636	Washer jet, headlamps wash	2	
-	72.23384	Nut, M18	2	
-	72.26278	Retaining plate	2	
50	693474	Tubing, headlamp wash, 3/8 in. ID	as reqd	} Headlamp wash tubing
-	693475	Hose clip	10	
-	693476	Grommet, 25mm panel hole	4	
51	37.23379	Timer, black, headlamp wash	1	
52	-	Bonnet bump stop assembly	-	See section 7.6B

# ELECTRICS



## Windscreen Wipers and Washers

LHD from Chassis No 13138 to Chassis No. 13539





**ELECTRICS**

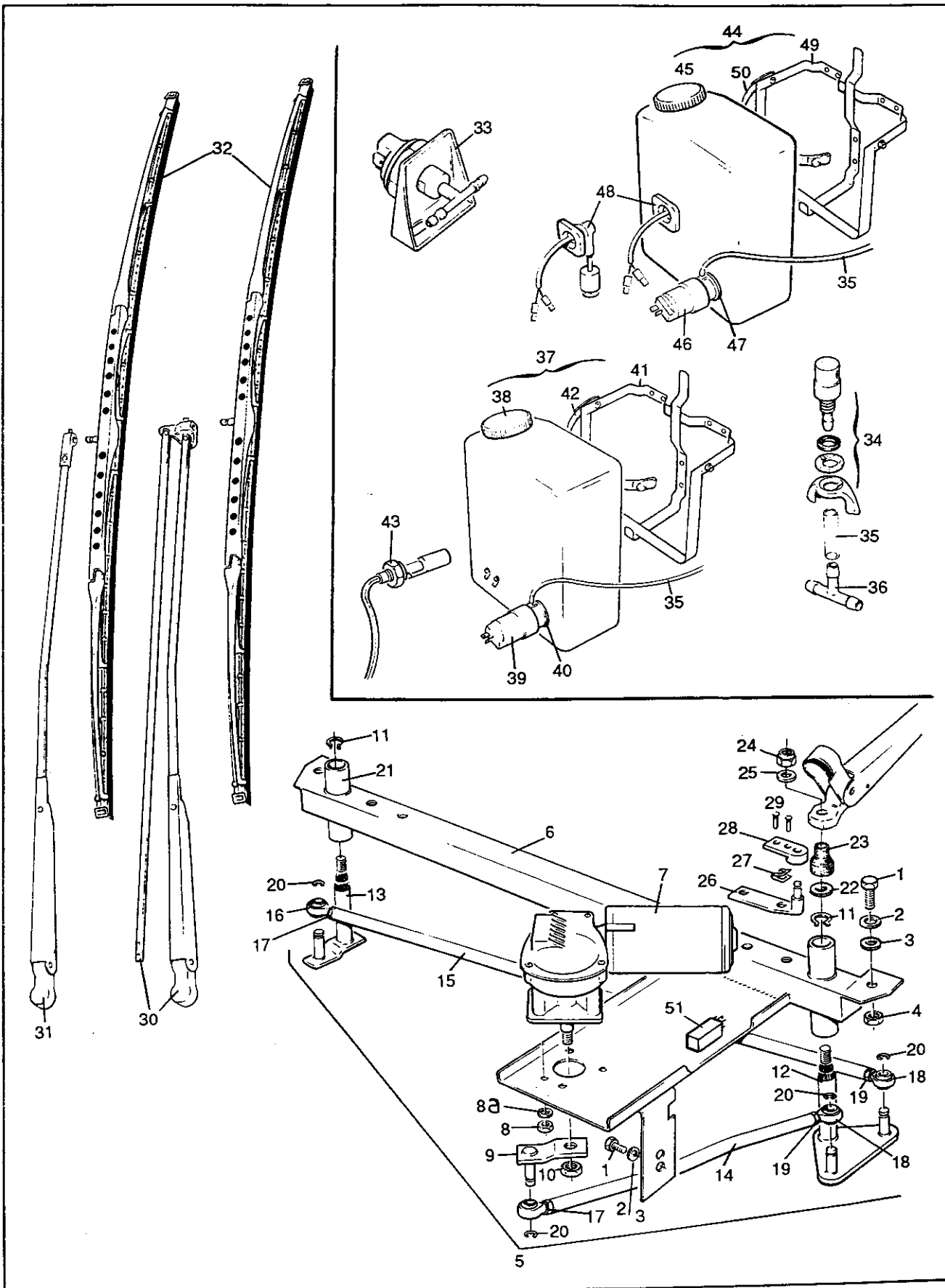
**Windscreen Wipers and Washers  
LHD from Chassis No. 13138 to Chassis No. 13539**

Illus No.	Part Number	Description	Qty	Remarks
1	692262	Screw, M6 x 12	6	} Bracket attachment
2	692580	Washer, spring, M6	5	
3	692056	Washer, plain, M6	7	
-	110911	Washer, special, 9/32 in. ID x 3/4 in. OD	1	
4	692151	Nut, Nyloc, M6	2	
-	37.13207	Shim strip	as reqd	
-	37.22025	Angle bracket, wiper motor and linkage assembly	1	From January 1986
5	37.17475	Wiper motor, bracket and linkage assembly	1	Use 37.22022
-	37.19655	Wiper motor, bracket and linkage assembly	1	From February 1984. Use 37.22022
-	37.22022	Wiper motor, bracket and linkage assembly	1	From January 1986
6	37.17480	Mounting bracket, wiper	1	
-	37.19685	Mounting bracket, wiper	1	From February 1984
-	TBA	Mounting bracket, wiper	1	From January 1984
7	37.17483	Motor, wiper	1	
8	692076	Nut, M6	3	} Motor to bracket
8A	692066	Washer, shakeproof, M6	3	
9	37.17744	Actuating arm, wiper motor	1	
-	37.19689	Actuating arm, wiper motor	1	From February 1984
10	37.17743	Locknut	1	
11	37.17746	Circlip	2	
12	37.17737	Actuator, wiper arm, driver's side	1	
-	37.19687	Actuator, wiper arm, driver's side	1	From February 1984
-	37.22026	Actuator, wiper arm, driver's side	1	From January 1986
13	37.17745	Actuator, wiper arm, passenger's side	1	
14	37.17739	Connecting rod, short	1	
-	37.22041	Connecting rod, short	1	From January 1986
15	37.17740	Connecting rod, long	1	
16	37.17481	Bearing, rod end	2	
17	37.17741	Locknut	2	
18	37.17482	Bearing, rod end	2	
19	37.17736	Lock nut	2	
20	37.17742	Circlip	4	
21	37.17478	Bush, spindle	8	
22	37.17477	Seal, ring, spindle	2	
23	37.18223	Seal, spindle	2	
24	37.17484	Retaining nut, wiper arm	2	
-	692830	Retaining nut, wiper arm, dome head, black, M8	2	Use with square-tubed wiper arms if close to bonnet
25	692057	Washer, plain, M8	2	
26	37.17973	Bracket, pantograph arm mounting	1	
-	37.17820	Shim, 1mm thick	as reqd	
-	37.17821	Shim, 2mm thick	as reqd	
27	692379	Fixer spring	1	
28	37.13181	Bearing block, pantograph arm	1	
29	691125	Screw, 4BA x 1/4 in., round head	2	} Pantograph arm to bearing block
-	110862	Screw, 4BA x 1/4 in., countersunk head	2	
-	692184	'Loctite'	as reqd	
30	37.15772	Wiper arm, pantograph, driver's side	1	
-	37.18769	Wiper arm, pantograph, driver's side	1	Square-tubed. From 1983

ELECTRICS

Windscreen Wipers and Washers

LHD from Chassis No 13138 to Chassis No. 13539





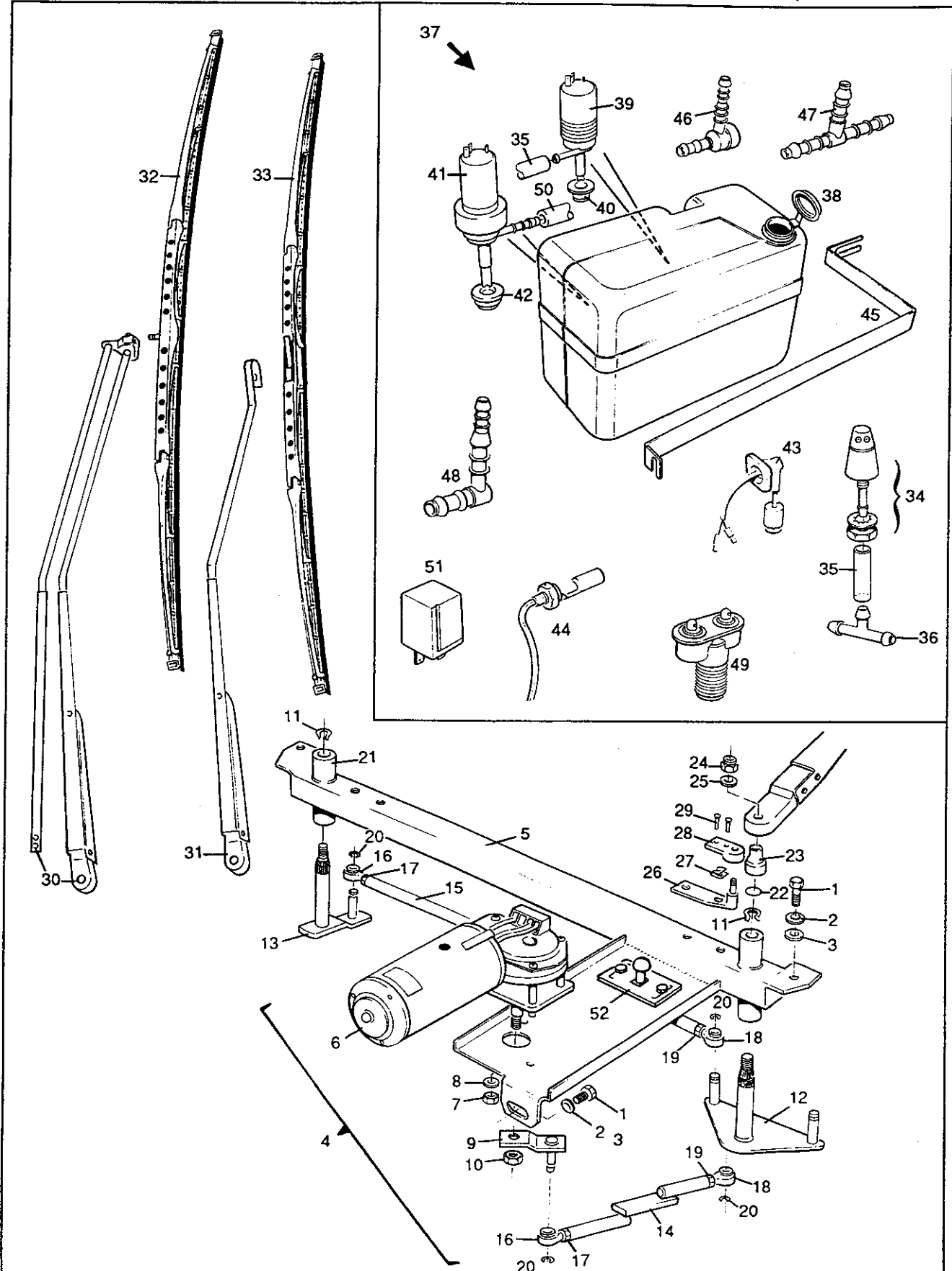
**ELECTRICS**

**Windscreen Wipers and Washers  
LHD from Chassis No. 13138 to Chassis No. 13539**

Illus No.	Part Number	Description	Qty	Remarks
31	37.11337	Wiper arm, passenger's side	1	
-	37.18767	Wiper arm, passenger's side	1	Square-tubed. From 1983
32	37.11336	Blade, wiper	2	
33	-	Switch, wash-delay	1	Part of delay kit 37.11488
-	692040	Hankbush, M4	2	} Delay switch to relay panel
-	692054	Washer, plain, M4	2	
-	692064	Washer, shakeproof, M4	2	
-	692126	Screw, M4 x 8	2	
34	37.26063	Jet, screenwash	2	
35	692319	Tubing, screenwash, 4mm ID	as reqd	
-	020.037.0190	'P' clip, tubing	as reqd	
-	122422	Washer, plain, 2BA	as reqd	
-	627.000.804	Screw, 'Posidrive', No.8 x 1/2 in.	as reqd	
36	08.21067	Tee, screenwash, 4-4-4 mm	1	
-	37.11145	Panel, screenwash bottle	1	
37	37.16271	Pump and bracket assembly, screenwash bottle	1	
38	96.14809	Cap	1	
39	37.15256	Pump	1	
40	37.15255	Grommet, fixing	1	
41	32.17059	Frame and strap	1	
42	37.12183	Strap, retaining	1	
43	37.20902	Float switch	1	Early 3-screen instrument cars
44	37.21141	Pump and bracket assembly, screenwash bottle	1	} Later cars
45	96.14809	Cap	1	
46	37.15256	Pump	1	
47	37.15255	Grommet, fixing	1	
48	37.21142	Float switch	1	
49	32.17059	Frame and strap	1	
50	37.12183	Strap, retaining	1	
-	692262	Screw, M6 x 12	3	} Bottle to panel
-	692046	Washer, spring, M6	3	
-	692056	Washer, plain, M6	3	
51	37.18089	Wash/wipe timer, black	1	} From chassis no. 13257 to chassis no. 13425
-	37.18090	Timer clip	1	
-	112189	Screw, 2BA x 1/2 in.	1	
-	591.000.0403	Washer, shakeproof, No. 10	1	
-	111109	Nut, 2BA	1	

# ELECTRICS

Headlamp Washers and  
Windscreen Wipers and Washers  
LHD From Chassis No. 13540





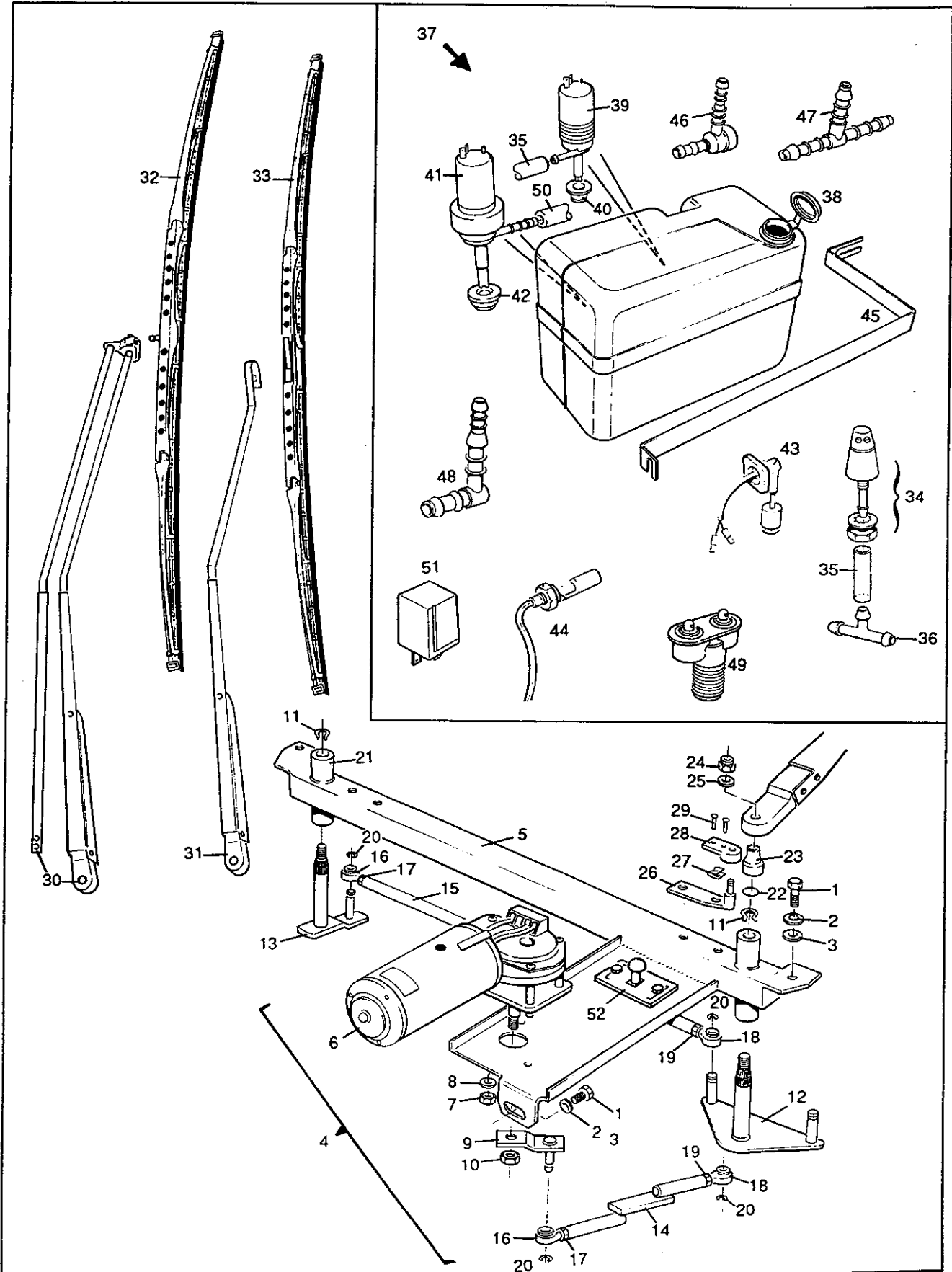
**ELECTRICS**

**Headlamp Washers &  
Windscreen Wipers and Washers  
LHD from Chassis No. 13540**

Illus No.	Part Number	Description	Qty	Remarks	
1	692262	Screw, M6 x 12	6	} Bracket attachment	
2	692580	Washer, spring, M6	5		
3	692056	Washer, plain, M6	7		
-	110911	Washer, special, 9/32 in. ID x 3/4 in. OD	1		
-	37.13207	Shim strip	as reqd		
-	37.22025	Angle bracket, wiper motor and linkage assembly	1		
4	37.22022	Wiper motor, bracket and linkage assembly	1		
5	TBA	Mounting bracket, wiper	1		
6	37.17483	Motor, wiper	1		} Motor to bracket
7	692076	Nut, M6	3		
8	692066	Washer, shakeproof, M6	3		
9	37.19689	Actuating arm, wiper motor	1		
10	37.17743	Locknut	1		
11	37.17746	Circlip	2		
12	37.22026	Actuator, wiper arm, driver's side	1		
13	37.17745	Actuator, wiper arm, passenger's side	1		
14	37.22041	Connecting rod, short	1		
15	37.17740	Connecting rod, long	1		
16	37.17481	Bearing, rod end	2		
17	37.17741	Locknut	2		
18	37.17482	Bearing, rod end	2		
19	37.17736	Lock nut	2		
20	37.17742	Circlip	4		
21	37.17478	Bush, spindle	8		
22	37.17477	Seal, ring, spindle	2		
23	37.18223	Seal, spindle	2		
24	37.17484	Retaining nut, wiper arm	2		
-	692830	Retaining nut, wiper arm, dome head, black, M8	2	Use if wiper arms are close to bonnet	
25	692057	Washer, plain, M8	2		
26	37.17973	Bracket, pantograph arm mounting	1		
-	37.17820	Shim, 1mm thick	as reqd		
-	37.17821	Shim, 2mm thick	as reqd		
27	692379	Fixer spring	1		
28	37.13181	Bearing block, pantograph arm	1		
29	110862	Screw, 4BA x 1/4 in., countersunk head	2	} Pantograph arm to bearing block	
-	692184	'Loctite'	as reqd		
30	37.25444	Wiper arm, pantograph, driver's side	1		
31	37.25445	Wiper arm, passenger's side	1		
32	37.11336	Blade, wiper, pantograph arm, driver's side	1		
33	37.25446	Blade, wiper, passenger's side	1		
34	37.26063	Jet, screenwash	2		
35	692319	Tubing, screenwash, 4mm ID	as reqd		
-	020.037.0190	'P' clip, tubing	as reqd		
-	122422	Washer, plain, 2BA	as reqd		
-	627.000.804	Screw, 'Posidrive', No.8 x 1/2 in.	as reqd		
36	08.21067	Tee, screenwash, 4-4-4 mm	1		

# ELECTRICS

Headlamp Washers and  
Windscreen Wipers and Washers  
LHD From Chassis No. 13540







**ELECTRICS**

**Headlamp Washers &  
Windscreen Wipers and Washers  
LHD from Chassis No. 13540**

Illus No.	Part Number	Description	Qty	Remarks	
37	37.22856	Reservoir assembly	1	Windscreen and headlamp washers	
38	37.22870	Filler cap	1		
39	37.22858	Pump, windscreen wash	1	} Strap fixing	
40	37.22859	Grommet, pump fixing	1		
41	37.22860	Pump, headlamp wash	1		
42	37.22861	Grommet, pump fixing	1		
43	37.21142	Float switch	1		Early cars
44	37.20902	Float switch	1		Later cars
45	37.23334	Retaining strap	1		} For headlamp wash tubing
-	692262	Screw, M6 x 12	1		
-	692056	Washer, plain, M6	2		
-	692151	Nut, Nyloc, M6	1		
46	37.23637	Elbow connector, one-way	2	} Fitted into front bumper	
47	37.23386	Tee piece	1		
48	72.23385	Elbow	2	} Headlamp wash tubing	
49	72.23636	Washer jet, headlamps wash	2		
-	72.23384	Nut, M18	2	} Fitted into front bumper	
-	72.26278	Retaining plate	2		
50	693474	Tubing, headlamp wash, 3/8 in. ID	as reqd	} Headlamp wash tubing	
-	693475	Hose clip	10		
-	693476	Grommet, 25mm panel hole	4		
51	37.23379	Timer, black, headlamp wash	1	See section 7.6B	
52	-	Bonnet bump stop assembly	-		



**CHASSIS AND BODY****Contents**

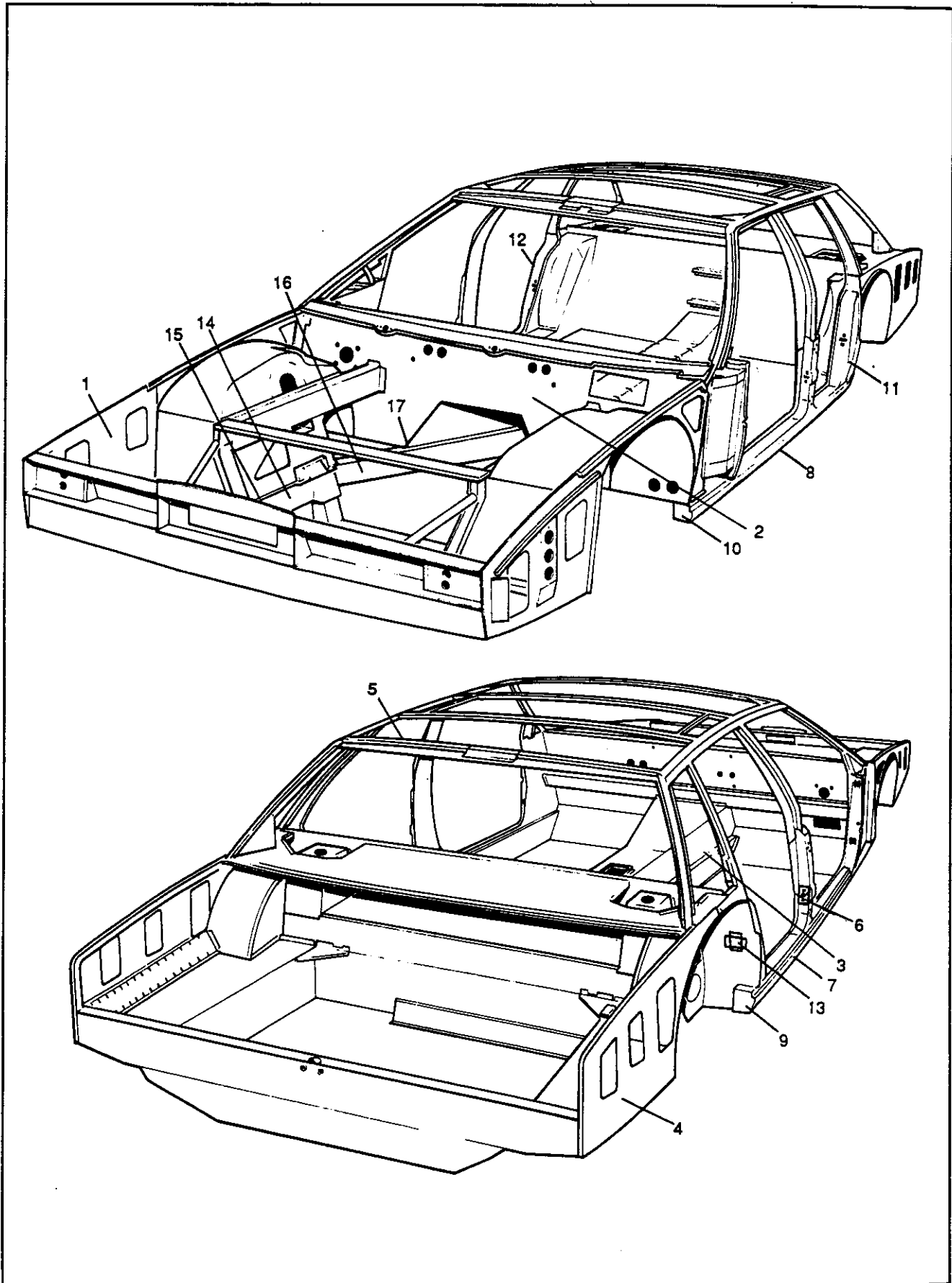
<b>CHASSIS AND BODY</b>	<b>7</b>
<b>Chassis Frame</b>	<b>7.1</b>
<b>Chassis Fittings</b>	<b>7.2</b>
<b>Body - Panels</b>	<b>7.3</b>
<b>Body - Doors</b>	<b>7.4</b>
<b>Body - Front</b>	<b>7.5</b>
<b>Body - Bonnet</b>	<b>7.6</b>
<b>Body - Rear</b>	<b>7.7</b>
<b>Body - Interior Fittings</b>	<b>7.8</b>



**SECTION 7**  
**CHASSIS AND BODY**

# CHASSIS AND BODY

## Chassis Frame





**CHASSIS AND BODY**

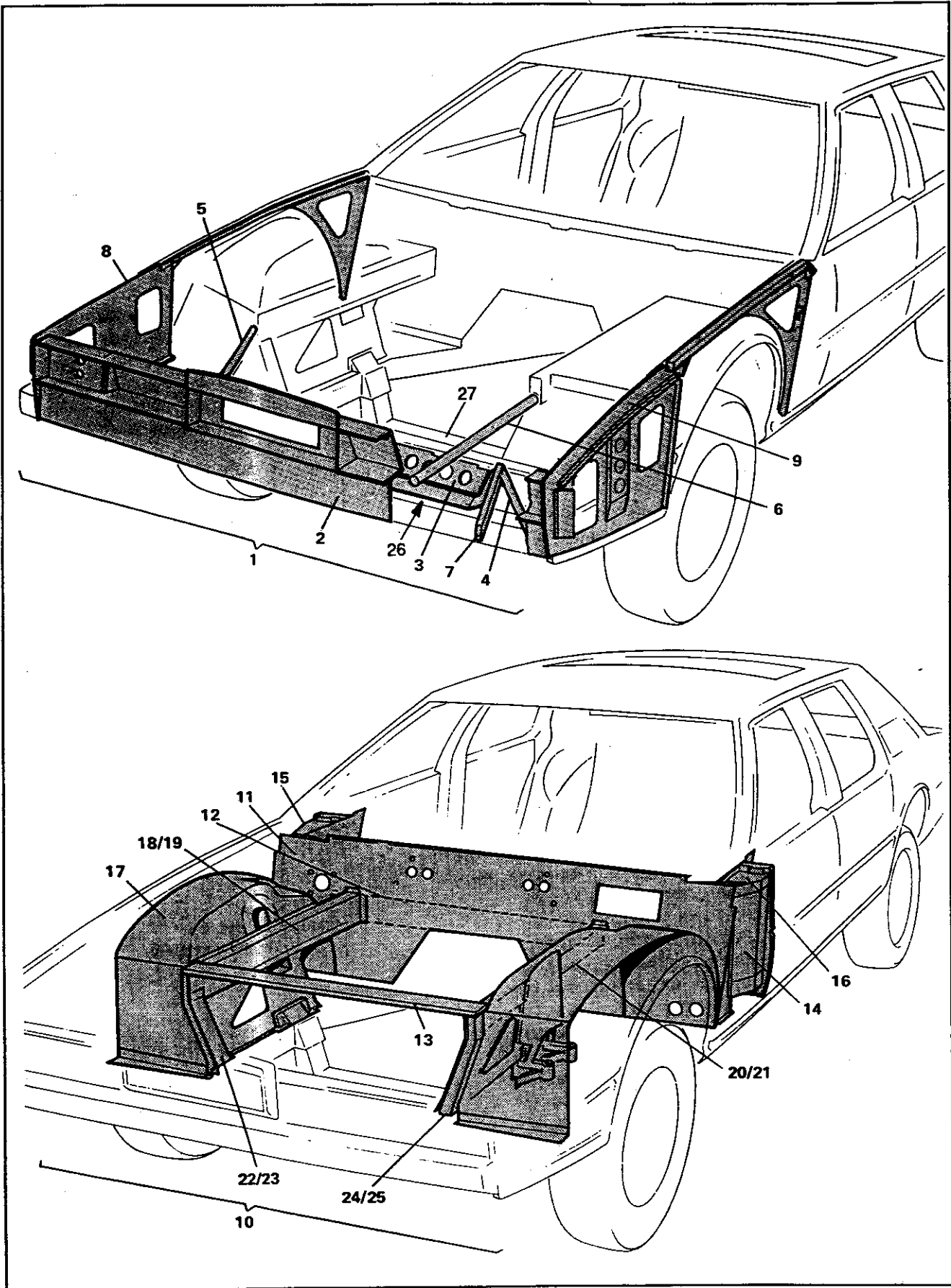
**Chassis Frame**

Illus No.	Part Number	Description	Qty	Remarks
-	18.10552	Chassis assembly, complete		
-	18.15696	Chassis assembly, complete	1	RHD
-	18.19842	Chassis assembly, complete	1	LHD
-	TBA	Chassis assembly, complete	1	RHD/LHD. From Mid. 1984
1	19.10218	Front wing support frame assembly	1	RHD/LHD. From chassis no. 13540/1
-	19.22584	Front wing support frame assembly	1	See section 7.2A.1 also
2	20.10217	Front end frame assembly	1	From chassis no. 13540/1
-	20.15697	Front end frame assembly	1	See section 7.2A.2 also
-	20.19844	Front end frame assembly	1	RHD
-	20.23403	Front end frame assembly	1	LHD
3	21.10220	Centre frame assembly	1	RHD/LHD. From Mid. 1984
-	21.20119	Centre frame assembly	1	RHD/LHD. From chassis no. 13540/1
-	21.23537	Centre frame assembly	1	
4	22.10123	Rear end assembly, complete	1	From Mid. 1984
-	22.23567	Rear end assembly, complete	1	From chassis no. 13540/1
5	61.10553	Tubular structure assembly, complete	1	
-	61.15816	Tubular structure assembly, complete	1	From chassis no. 13540/1
-	61.19843	Tubular structure assembly, complete	1	RHD
-	61.24205	Tubular structure assembly, complete	1	LHD
6	17.11432	Tubular structure assembly, complete	1	RHD/LHD. From Mid. 1984
7	21.23562	Cover plate, check arm bracket	1	From chassis no. 13540/1
8	21.23563	Outer sill, RH	2	
9	21.23661	Outer sill, LH	1	
-	21.23720	Filler panel, rear, outer sill, RH	1	For cars from chassis no. 13540/1. Could be used on earlier cars if modified to suit.
-	21.23718	Filler panel, rear, outer sill, LH	1	
10	21.23722	Filler panel, front, outer sill, RH	1	
-	21.11196	Filler panel, front, outer sill, LH	1	
-	21.10281	Sill box section, inner, RH	1	
-	21.11197	Sill box section, outer, RH	1	
-	21.10282	Sill box section, inner, LH	1	
-	21.10524	Sill box section, outer, LH	1	
11	22.10370	Jacking point assembly	1	
12	22.10371	Panel assembly, rear wheelarch, front, RH	4	
13	77.14434	Panel assembly, rear wheelarch, front, LH	1	
-	691342	Cover, rear door lock striker	1	
-	692317	Air drying neoprene	2	
14	21.14690	Pop rivet, copper, 1/8 in. dia.	as reqd	Cover to rear wheelarch
15	21.10109	Chassis box section, inner, RH	8	
-	21.14691	Chassis box section, outer, RH	1	
-	21.10110	Chassis box section, inner, LH	1	
-	21.17430	Chassis box section, outer, LH	1	
16	21.10931	Chassis bracket, anti-roll bar	1	
17	21.10933	Chassis box section, inner, RH	2	
-	21.10932	Chassis box section, outer, RH	1	
-	21.10934	Chassis box section, inner, LH	1	
-		Chassis box section, outer, LH	1	

# CHASSIS AND BODY



Front Wing Support Frame &  
Front End Frame Assemblies  
Cars to Chassis No. 13539







**CHASSIS AND BODY**

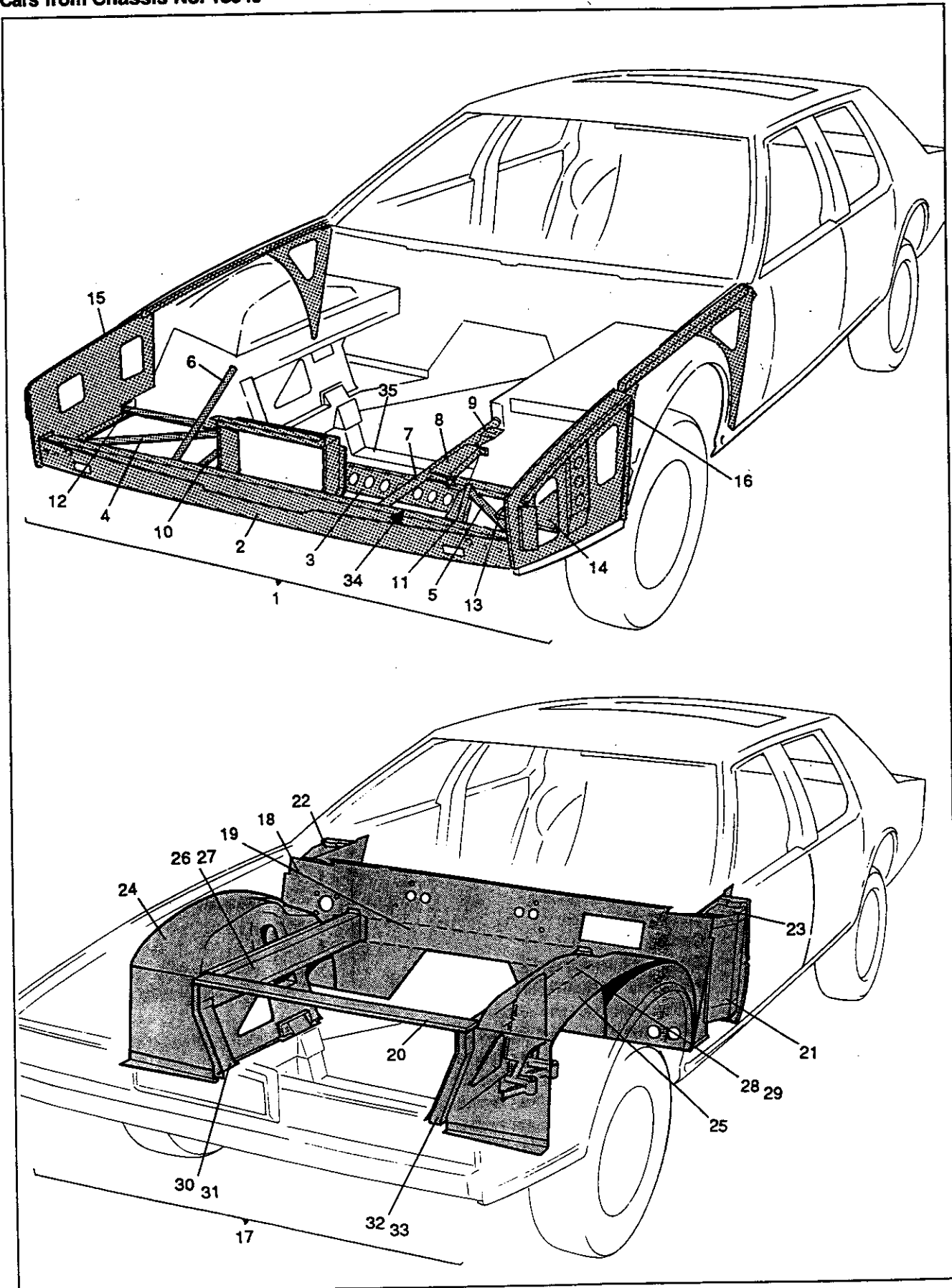
**Front Wing Support Frame &  
Front End Frame Assemblies  
Cars to Chassis No.13539**

Illus No.	Part Number	Description	Qty	Remarks
1	19.10218	Frame assembly, front wing support	1	
2	19.10219	Mounting, bumper and auxiliary lamp	1	
3	19.11584	Panel, radiator mounting	1	
-	19.10103	Tube support bracket, bumper	1	
-	19.12575	Support tube, bumper, lower outer, RH	2	
-	19.16519	Support tube, bumper, lower outer, RH	1	For 'Lucas' town horns
4	19.10055	Support tube, bumper, lower outer, RH	1	For later town horns
5	19.11938	Support tube, bumper, lower outer, LH	1	
-	19.10058	Support tube, bumper, upper, RH	1	
-	19.10058	Support tube, bumper, upper, RH	1	
6	19.11939	Support tube, bumper, upper, LH	1	Later EFI cars.
-	19.10054	Support tube, bumper, upper, LH	1	Without air cleaner brackets
7	19.10056	Support tube, bumper, lower inner	1	Later EFI cars.
8	19.10177	Valance, front wing, RH	2	Without air cleaner brackets
9	19.10178	Valance, front wing, LH	1	
10	20.10217	Front end frame assembly	1	
-	20.15697	Front end frame assembly	1	RHD
-	20.19844	Front end frame assembly	1	LHD
11	20.11128	Front end frame assembly	1	RHD/LHD. From Mid. 1984
-	20.11129	Front bulkhead assembly	1	RHD
-	20.19854	Front bulkhead assembly	1	LHD
-	20.21111	Front bulkhead assembly	1	RHD/LHD. From Mid. 1984
12	20.11006	Front bulkhead assembly	1	RHD/LHD. From Mid. 1985
-	20.19358	Front bulkhead crossmember	1	RHD
-	20.14349	Front bulkhead crossmember	1	RHD. From Mid. 1983 to 1984
-	20.19359	Front bulkhead crossmember	1	LHD
-	20.19746	Front bulkhead crossmember	1	LHD. From Mid. 1983 to 1984
13	20.10025	Front bulkhead crossmember	1	RHD/LHD. From Mid. 1984
-	20.21784	Front upper crossmember	1	
-	692250	Front upper crossmember	1	Later EFI cars from 1986
-	692047	Boit, M8 x 40	4	
-	690270	Washer, spring, M8	4	} Crossmember to chassis
-	20.10044	Washer, plain, 1 in. O.D.	4	
-	20.19792	'A' post assembly, RH	1	
14	20.10045	'A' post assembly, RH	1	From Mid. 1984
-	20.19791	'A' post assembly, LH	1	
15	20.10095	'A' post assembly, LH	1	From Mid. 1984
16	20.10096	Closing panel, RH	1	
17	20.10005	Closing panel, LH	1	
-	20.10022	Wheelarch assembly, RH	1	
18	20.10016	Wheelarch assembly, LH	1	
19	20.10014	Top member, inner section, RH	1	} Part of wheelarch assemblies
20	20.10017	Top member, outer section, RH	1	
21	20.10015	Top member, inner section, LH	1	
22	20.11477	Top member, outer section, LH	1	
23	20.10020	Vertical member, inner section, RH	1	
24	20.11478	Vertical member, outer section, RH	1	
25	20.10021	Vertical member, inner section, LH	1	
-	122375	Vertical member, outer section, LH	1	
26	21.16476	Top member, blanking grommet, 1.1/2 in.	4	
-	21.21644	Front cross member & brake reaction strut mounts	1	From 1982. (Use on early cars)
27	18.10380	Front cross member & brake reaction strut mounts	1	EFI cars
		Rear cross member	1	Supports steering unit

# CHASSIS AND BODY



Front Wing Support Frame &  
Front End Frame Assemblies  
Cars from Chassis No. 13540





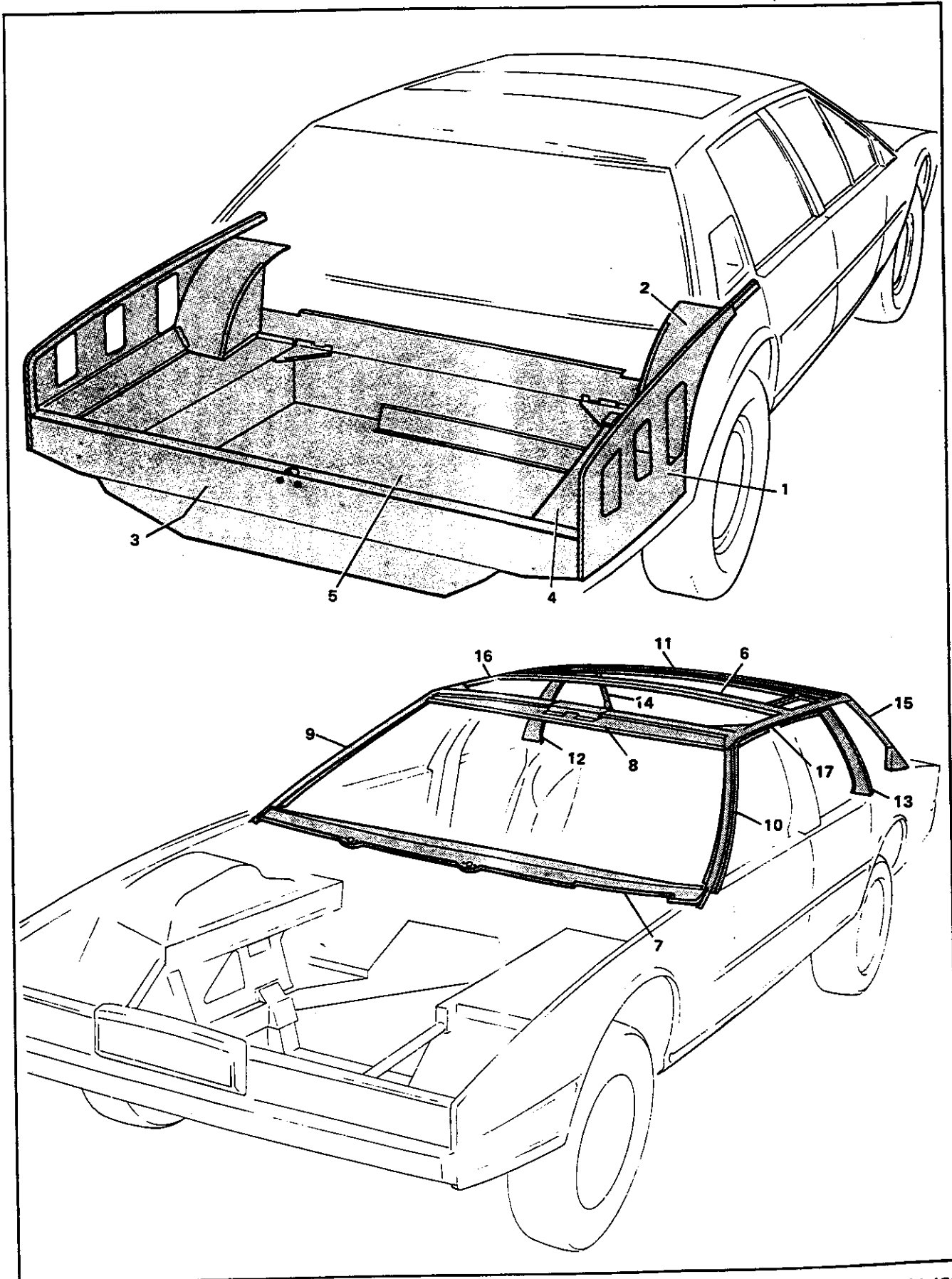
**CHASSIS AND BODY**

**Front Wing Support Frame &  
Front End Frame Assemblies  
Cars from Chassis No.13540**

Illus No.	Part Number	Description	Qty	Remarks
1	19.22584	Frame assembly, front wing support		
2	19.22585	Mounting, bumper and radiator	1	
3	19.11584	Panel, radiator mounting	1	
-	19.10103	Tube support bracket, bumper	1	
4	19.23347	Support tube, bumper, lower outer, RH	2	
5	19.10055	Support tube, bumper, lower outer, LH	1	
6	19.26102	Support tube, bumper, upper, RH	1	
7	19.10054	Support tube, bumper, upper, LH	1	
8	19.22702	Mounting bracket assembly, expansion tank	1	
9	19.23857	Support bracket, master switch	1	
10	19.23337	Support tube, bumper, lower inner, RH	1	
-	19.20444	Shipping eye assembly, RH	1	
11	19.25227	Support tube, bumper, lower inner, LH	1	
-	19.20445	Shipping eye assembly, LH	1	
12	19.23323	Support bracket, washer reservoir	1	
13	19.22685	Mounting tray, expansion tank	1	
14	19.22663	Battery tray assembly	1	
-	19.22673	Support bracket, battery tray	1	Battery fixings section: 6.3A.1
15	19.22586	Valance, front wing, RH	1	
16	19.22587	Valance, front wing, LH	1	
17	20.23403	Front end frame assembly	1	
18	20.21111	Front bulkhead assembly	1	RHD/LHD
19	20.19746	Front bulkhead crossmember	1	RHD/LHD
20	20.21784	Front upper crossmember	1	RHD/LHD
-	692250	Bolt, M8 x 40	1	
-	692047	Washer, spring, M8	4	} Crossmember to chassis
-	690270	Washer, plain, 1 in. O.D.	4	
-	20.22554	'A' post assembly, RH	4	
21	20.22555	'A' post assembly, LH	1	
22	20.10095	Closing panel, RH	1	
23	20.10096	Closing panel, LH	1	
24	20.23404	Wheelarch assembly, RH	1	} Part of wheelarch assemblies
25	20.23407	Wheelarch assembly, LH	1	
26	20.10016	Top member, inner section, RH	1	
27	20.10014	Top member, outer section, RH	1	
28	20.10017	Top member, inner section, LH	1	
29	20.10015	Top member, outer section, LH	1	
30	20.11477	Vertical member, inner section, RH	1	
31	20.10020	Vertical member, outer section, RH	1	
32	20.11478	Vertical member, inner section, LH	1	
33	20.10021	Vertical member, outer section, LH	1	
-	122375	Top member, blanking grommet, 1.1/2 in.	1	
34	21.21644	Front cross member & brake reaction strut mounts	4	
35	18.10380	Rear cross member	1	Supports steering unit Supports steering unit From Mid 1989
-	18.52744	Rear cross member	1	

# CHASSIS AND BODY

## Tubular Structure & Rear End Assembly





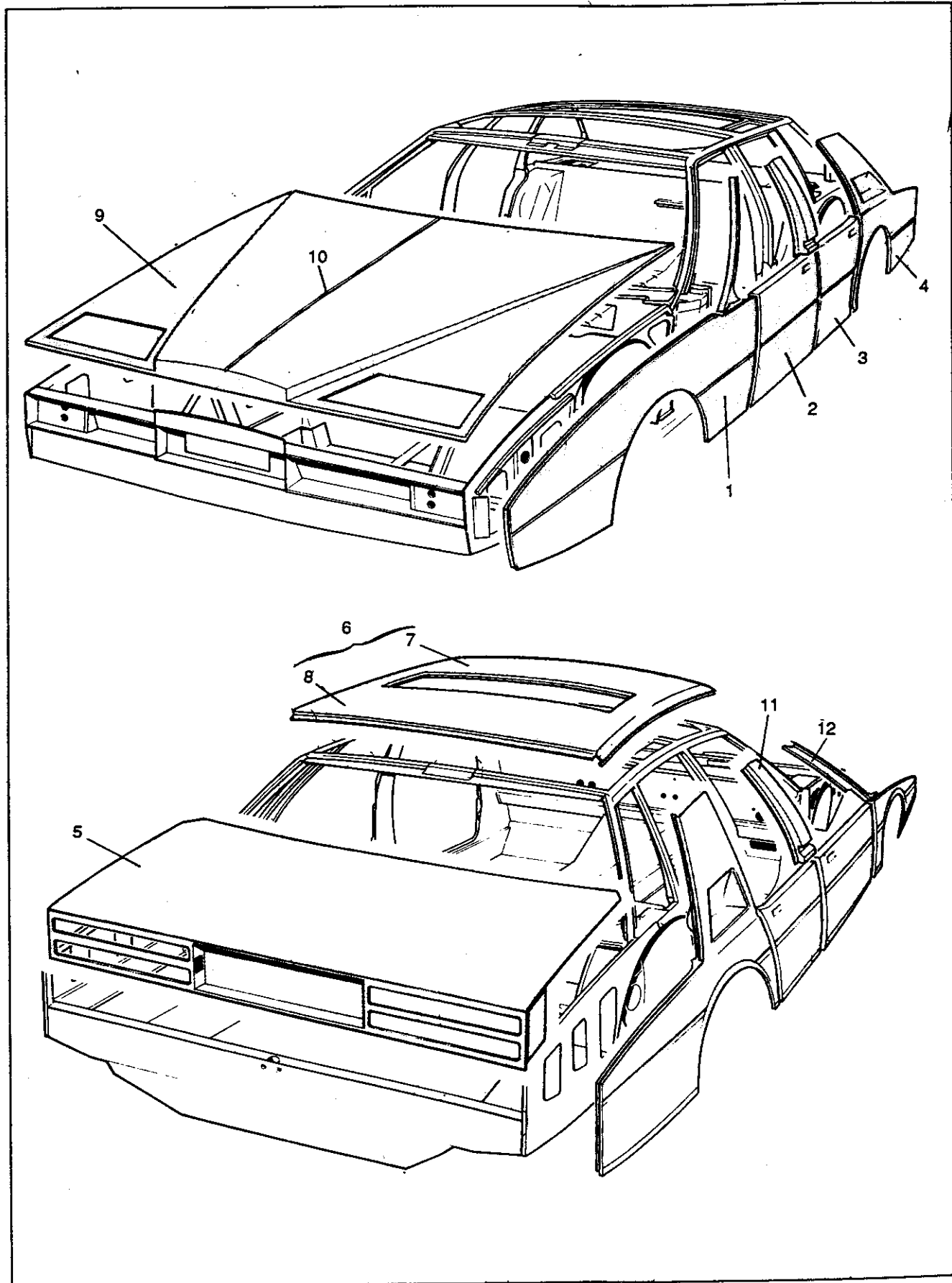
**CHASSIS AND BODY**

**Tubular Structure &  
Rear End Assembly**

Illus No.	Part Number	Description	Qty	Remarks
1	22.10378	Valance, rear, RH	1	} Cars to chassis no. 13539
-	22.10379	Valance, rear, LH	1	
-	22.23823	Valance, rear, RH	1	} Cars from chassis no. 13540/1 (1988)
-	22.23824	Valance, rear, LH	1	
2	22.10368	Panel, rear, RH	1	} Rear wheelarch. Cars to chassis no. 13539
-	22.10369	Panel, rear, LH	1	
-	22.23772	Panel, rear, RH	1	} Rear wheelarch. Cars from chassis no. 13540/1 (1988)
-	22.23773	Panel, rear, LH	1	
3	22.10367	Bumper mounting, rear	1	} Cars to chassis no. 13539
-	22.22612	Bumper mounting, rear	1	
4	22.10376	Side assembly, boot floor, RH	1	} Cars to chassis no. 13539 (1988)
-	22.10377	Side assembly, boot floor, LH	1	
-	22.23324	Side assembly, boot floor, RH	1	} Cars from chassis no. 13540/1 (1988)
-	22.23325	Side assembly, boot floor, LH	1	
-	080.008.0107	Clip	2	} Spare wheel cover
-	692600	Clip, wide	2	
5	22.11182	Panel assembly, spare wheel well	1	} Cars to chassis no. 13539
-	22.23860	Panel assembly, spare wheel well	1	
-	37.18128	Tray, battery	1	} Cars from chassis no. 13540/1
-	22.22263	Tray, battery	1	
-	22.18127	Chassis bracket, battery tray	1	For later battery from Mid.1986 to chassis no. 13539 (1988)
6	61.10565	Support assembly, roof-light	1	Up to Mid. 1986
7	61.11119	Channel assembly, front screen drain	1	} RHD. Up to LHD. Mid. 1984
-	61.11118	Channel assembly, front screen drain	1	
-	61.19773	Channel, lower, front screen drain	1	} RHD/LHD
-	88.19810	Channel, upper, front screen drain	1	
-	88.19811	Channel, upper, front screen drain	1	} RHD
-	693044	Screw, M6 x 20	11	
-	692262	Bolt, M6 x 12	2	} From Mid. 1984
-	692056	Washer, plain, M6	2	
-	692046	Washer, spring, M6	2	
-	692076	Nut, plain, M6	2	
-	691342	Sealer	as reqd	
8	61.10567	Header, front screen	1	} Early cars
-	61.10570	Pillar, front screen, RH	1	
-	61.10571	Pillar, front screen, LH	1	} Later cars from 1980
9	61.15517	Pillar, front screen, RH	1	
10	61.15518	Pillar, front screen, LH	1	
11	61.10568	Header, rear screen	1	
12	61.10572	Pillar, rear, RH	1	
13	61.10573	Pillar, rear, LH	1	} Early cars
-	61.10576	Pillar, rear, RH	1	
-	61.10577	Pillar, rear, LH	1	} Later cars from 1980
14	61.15526	Pillar, rear, RH	1	
15	61.15527	Pillar, rear, LH	1	} Early cars
-	61.10574	Cantrail assembly, RH	1	
-	61.10575	Cantrail assembly, LH	1	} Later cars from 1980 to 1985
16	61.15523	Cantrail assembly, RH	1	
17	61.15524	Cantrail assembly, LH	1	} Cars from end of 1985 with later grab-handle
-	61.21574	Cantrail assembly, RH	1	
-	61.21575	Cantrail assembly, LH	1	} Cars from chassis no. 13540/1 (1988)
-	61.24192	Cantrail assembly, RH	1	
-	61.24191	Cantrail assembly, LH	1	

# CHASSIS AND BODY

Body Panels  
Cars to Chassis No. 13539





## CHASSIS AND BODY

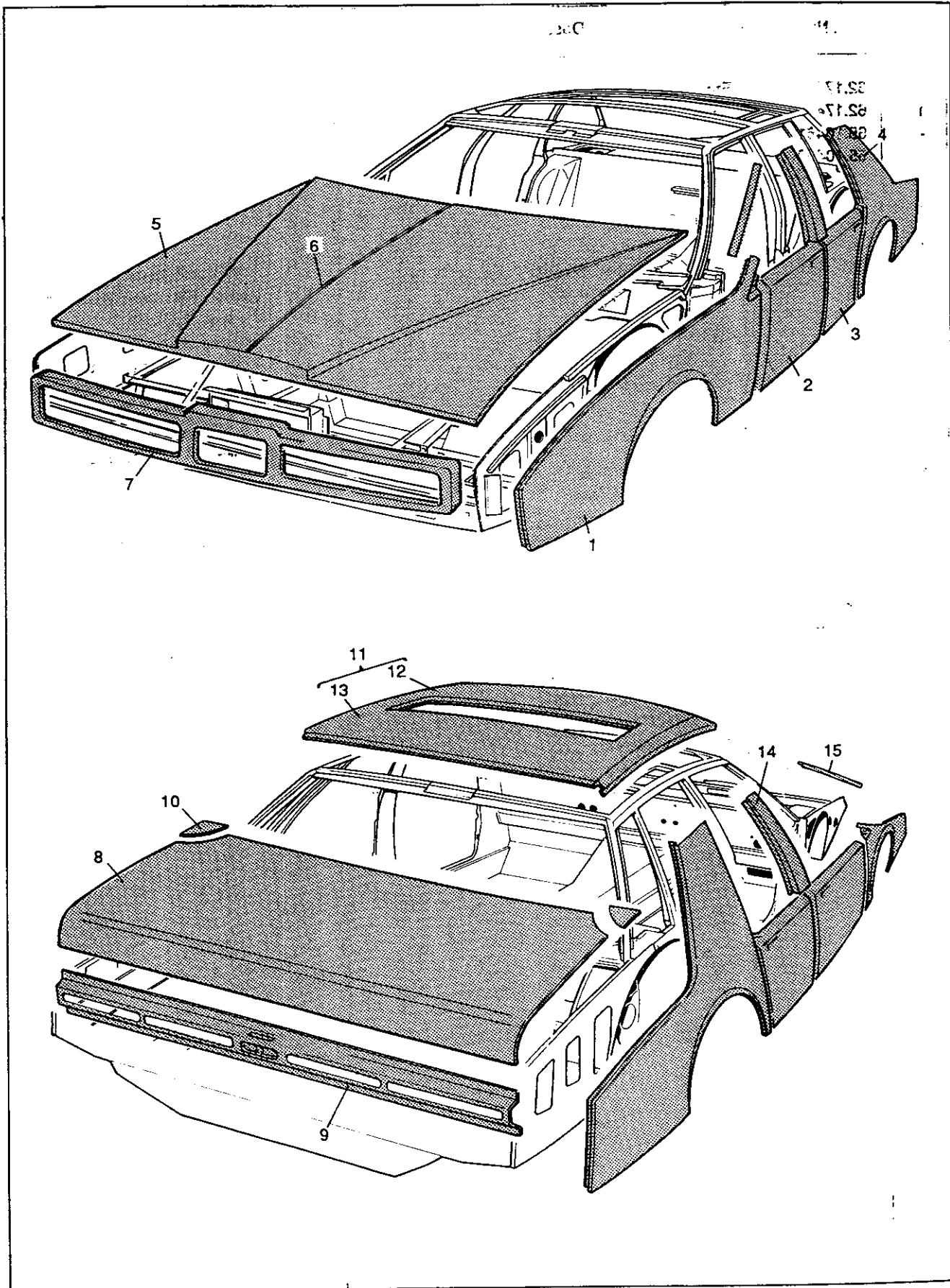
Body - Panels  
Cars to Chassis No.13539

Illus No.	Part Number	Description	Qty	Remarks
-	62.17439	Front wing panel, RH	1	
1	62.17440	Front wing panel, LH	1	
-	65.10461	Door panel, front, RH	1	
2	65.10462	Door panel, front, LH	1	
-	66.10583	Door panel, rear, RH	1	
3	66.10584	Door panel, rear, LH	1	
-	62.17443	Rear wing panel, RH	1	
4	62.17444	Rear wing panel, LH	1	
5	67.18717	Boot lid and frame assembly	1	} Without number plate lamp holes. For cars with separate corner finishers. } Cars from chassis no. 13325. } Without number plate lamp holes. For cars without corner finishers. Early boot lid assy. is still used after 13325 on cars with rear mounted radio aerials
-	-	Boot lid skin panel	1	
-	-	Boot lid frame	1	
-	67.19807	Boot lid and frame assembly	1	
-	-	Boot lid skin panel	1	
-	-	Boot lid frame	1	
6	62.15532	Roof panel assembly	1	
7	62.15533	Roof panel, front	1	
8	62.15534	Roof panel, rear	1	
9	64.10210	Bonnet and frame assembly	1	} Emission control cars have deeper curve for clearance of air box
-	-	Bonnet frame	1	
-	-	Bonnet skin assembly	1	
10	692118	Trim centre finisher 'T'	1	
-	64.19482	Packing piece, 60 mm long, 14 swg thick	as reqd	} To adjust bonnet clearance
-	64.18091	Packing piece, 60 mm long, 16 swg thick	as reqd	
-	64.19483	Packing piece, 60 mm long, 18 swg thick	as reqd	
11	62.17441	Centre pillar finisher, RH	1	
-	62.17442	Centre pillar finisher, LH	1	
12	62.15535	'A' post panel, RH	1	
-	62.15536	'A' post panel, LH	1	
-	000389	Body masking tape, red, PVC coated, 1.1/2 in. wide	as reqd	

# CHASSIS AND BODY

Body Panels

Cars from Chassis Number 13540







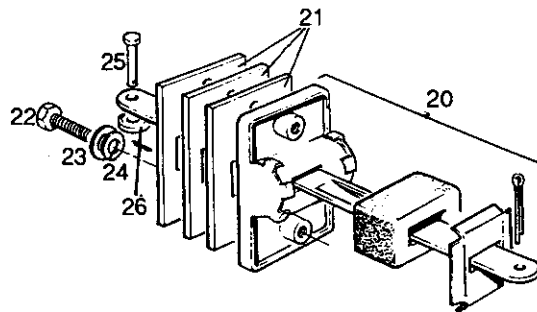
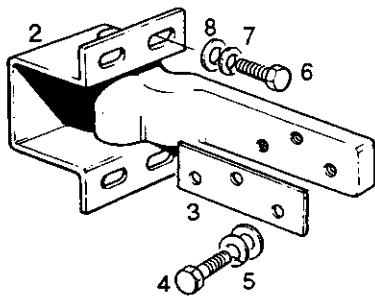
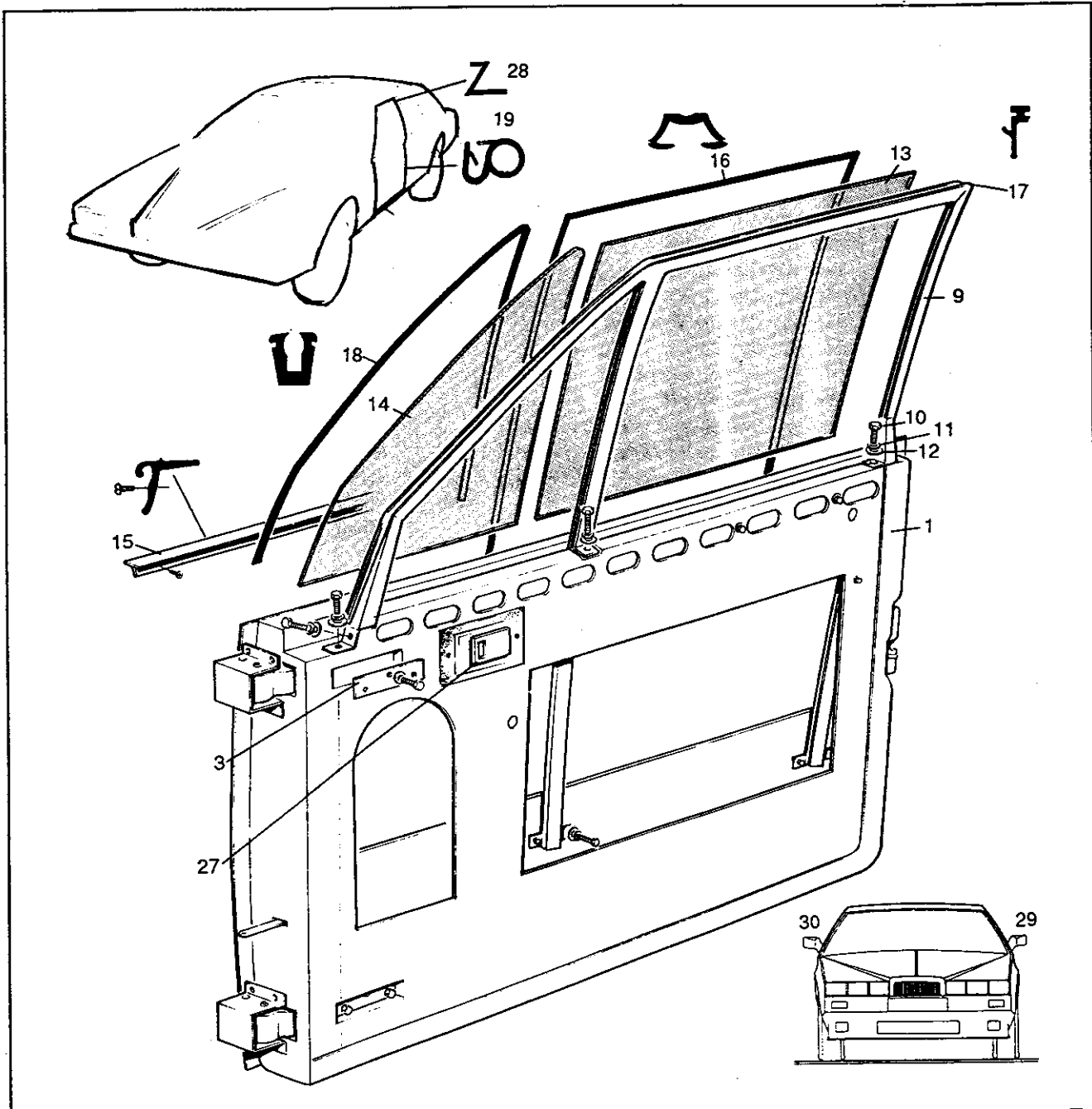
## CHASSIS AND BODY

Body - Panels  
Cars from Chassis No.13540

Illus No.	Part Number	Description	Qty	Remarks
-	62.23930	Front wing panel, RH	1	
1	62.23931	Front wing panel, LH	1	
-	65.23764	Door panel, front, RH	1	
2	65.23765	Door panel, front, LH	1	
-	66.23863	Door panel, rear, RH	1	
3	66.23864	Door panel, rear, LH	1	
-	62.23928	Rear wing panel, RH	1	
4	62.23929	Rear wing panel, LH	1	
5	64.22574	Bonnet and frame assembly	1	
-	-	Bonnet frame	1	
-	-	Bonnet skin assembly	1	
6	693986	Trim centre finisher 'T'	1	
-	64.19482	Packing piece, 60 mm long, 14 swg thick	as reqd	} To adjust bonnet clearance
-	64.18091	Packing piece, 60 mm long, 16 swg thick	as reqd	
-	64.19483	Packing piece, 60 mm long, 18 swg thick	as reqd	
7	71.22471	Nose section (GRP)	1	See also section: 7.5B
8	67.22667	Boot lid and frame assembly	1	
-	-	Boot lid skin panel	1	
-	-	Boot lid frame	1	
9	62.22014	Panel, rear lights	1	
-	694006	Screw, M5 x 60, socket head	4	Panel attach
10	-	Fuel flaps	2	See section: 7.7C
11	62.23936	Roof panel assembly	1	
12	62.23937	Roof panel, front	1	
13	62.23938	Roof panel, rear	1	
14	62.23942	Centre pillar finisher, RH	1	
-	62.23943	Centre pillar finisher, LH	1	
15	62.23940	'A' post panel, RH	1	
-	62.23941	'A' post panel, LH	1	
-	000389	Body masking tape, red, PVC coated, 1.1/2 in. wide	as reqd	

# CHASSIS AND BODY

Body - Doors  
Front Doors



AM 1409



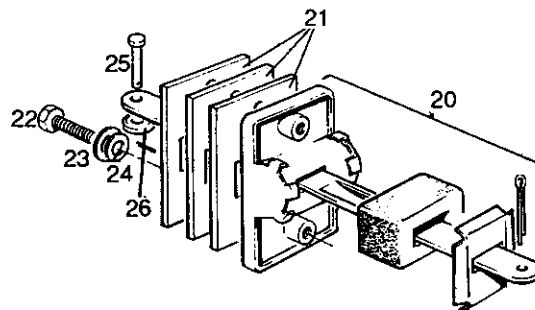
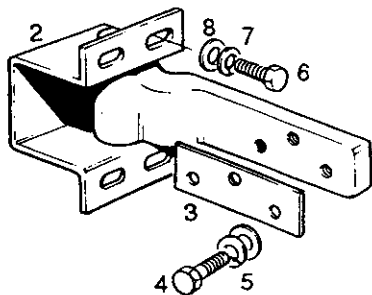
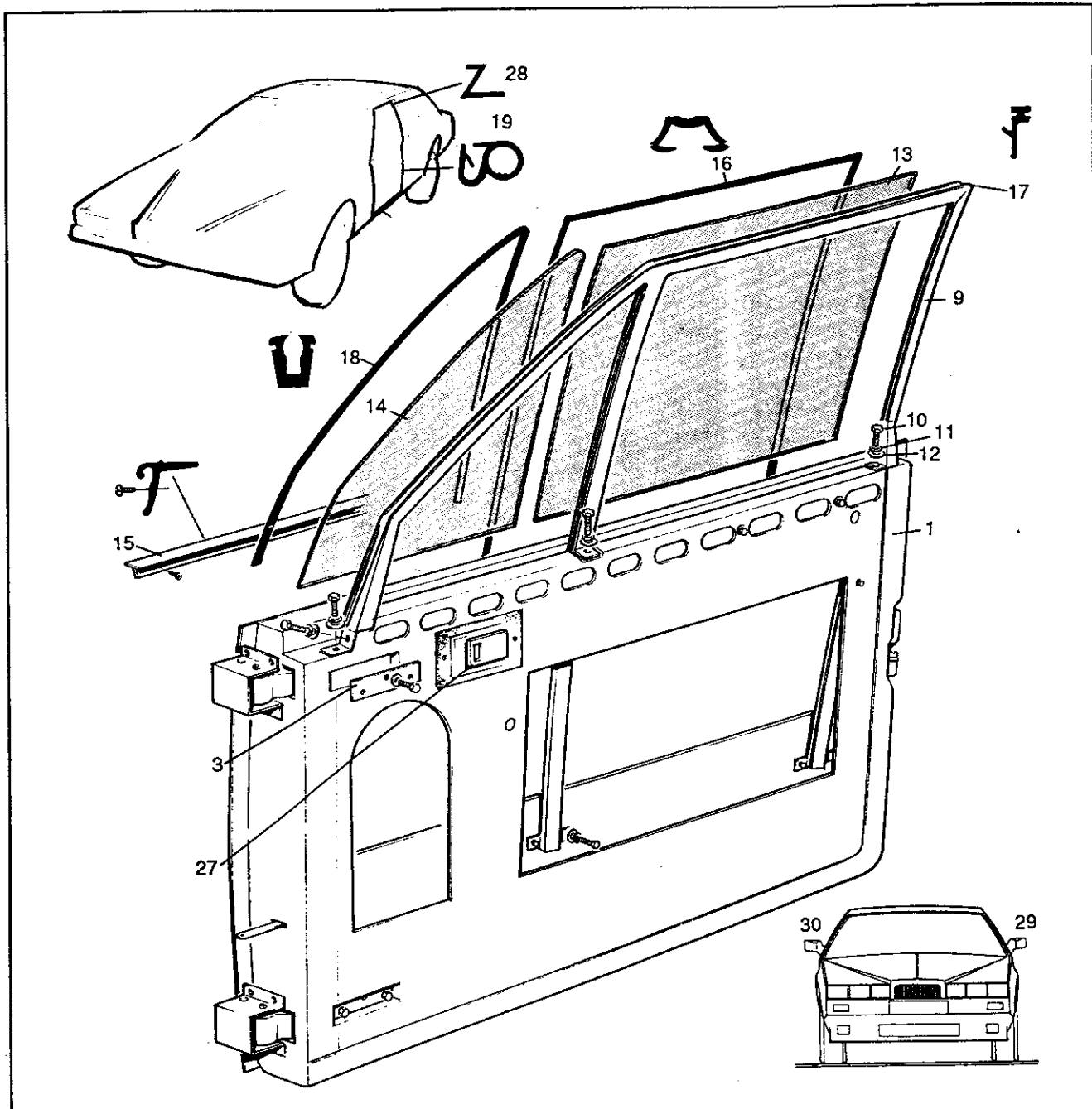
## CHASSIS AND BODY

Body - Doors  
Front Doors

Illus No.	Part Number	Description	Qty	Remarks
1	65.10463	Door frame, RH	1	
-	65.10464	Door frame, LH	1	
-	65.18669	Door frame, RH	1	} From chassis no. 13284. (1984)
-	65.18670	Door frame, LH	1	
-	65.19823	Door frame, RH	1	} From approx. chassis no. 13333 (1984). } For later window lift motors.
-	65.19824	Door frame, LH	1	
-	65.23775	Door frame, RH	1	} From chassis no. 13540
-	65.23776	Door frame, LH	1	
-	65.10461	Door skin panel, RH	1	
-	65.10462	Door skin panel, LH	1	
-	65.23764	Door skin panel, RH	1	} From chassis no. 13540
-	65.23765	Door skin panel, LH	1	
-	65.14165	Reinforcement, door frame	2	Up to chassis no. 13539
-	65.15993	Panel, speaker mounting	2	
-	65.18610	Panel, speaker mounting	2	} For later speakers
-	88.18608	Speaker foam ring	2	
-	627.000.0603	Screw, No. 6 x 3/8 in. self-tap	8	Panel attachment. Up to 13539
2	65.22136	Door hinge, RH	2	
-	65.22137	Door hinge, LH	2	
3	65.11309	Reinforcement plate	4	
4	575.000.0507	Screw, 5/16 in. UNF x 7/8 in.	12	} Hinges to door frame
5	591.000.0205	Washer, spring, 5/16 in.	12	
6	692087	Screw, M8 x 20	16	} Hinges to 'A' post
-	694033	Screw, durloc, M8 x 20. Later cars.	16	
7	692047	Washer, spring, M8	16	
8	692057	Washer, plain, M8	16	} Not required with later durloc screws.
9	65.15577	Door glass frame, RH	1	
-	65.15578	Door glass frame, LH	1	
-	65.23441	Door glass frame, RH	1	} From chassis no. 13540
-	65.23442	Door glass frame, LH	1	
10	692088	Screw, M6 x 16	6	
11	692066	Washer, shakeproof, M6	6	
12	124383	Washer, plain, 1/4 in.	4	
-	692005	Screw, M5 x 16	8	} Glass frame to door frame.
-	692065	Washer, shakeproof, M5	8	
-	690257	Washer, plain, 3/16 in.	8	} To chassis no. 13539
-	690386	Washer, plain, 1/4 in.	2	
-	65.14936	Fixing plate assembly	2	
-	692205	Rivet, 1/8 in. dia	8	
-	65.17081	Spacer, 2mm thick	as reqd	
-	65.17082	Spacer, 1.2mm thick	as reqd	
-	693772	Screw, M6 x 20	8	
-	690386	Washer, plain, 1/4 in.	as reqd	
-	692146	Screw, M6 x 20	8	
-	65.23387	Spacer, front, 1 mm thick	as reqd	} Glass frame to door frame.
-	65.23388	Spacer, front, 2 mm thick	as reqd	
-	65.23389	Spacer, front, 3 mm thick	as reqd	} From chassis no. 13540
-	65.23393	Spacer, rear, 1 mm thick	as reqd	
-	65.23394	Spacer, rear, 2 mm thick	as reqd	
-	65.23395	Spacer, rear, 3 mm thick	as reqd	

# CHASSIS AND BODY

Body - Doors  
Front Doors



AM 1409



## CHASSIS AND BODY

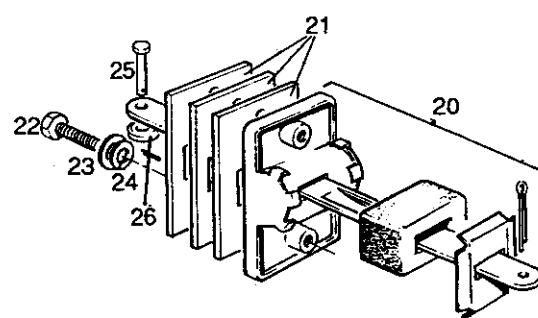
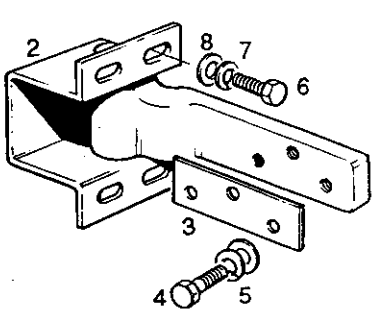
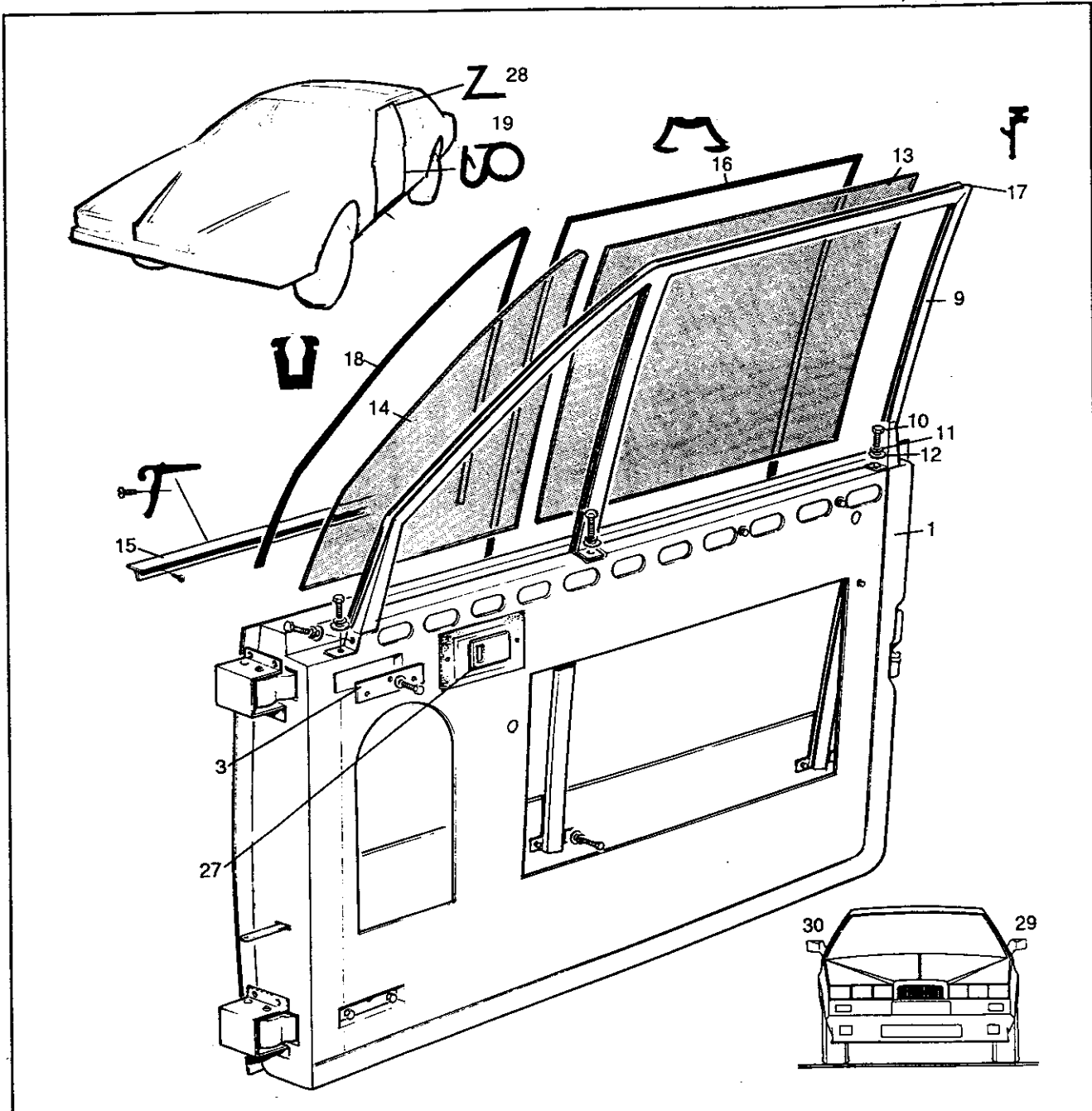
Body - Doors  
Front Doors

Illus No.	Part Number	Description	Qty	Remarks
13	76.11083	Door glass, RH	1	
-	76.11084	Door glass, LH	1	
14	76.11085	Quarterlight glass, RH	1	
-	76.11086	Quarterlight glass, LH	1	
-	76.23444	Quarterlight glass, RH	1	} From chassis no. 13540
-	76.23445	Quarterlight glass, LH	1	
15	65.11313	Weatherseal, door waist, outer	2	
-	069.077.0026	Weatherseal, door waist, inner	as reqd	
16	692114	Glass run channel	as reqd	
17	692372	Weatherseal, door frame	20 ft	Up to chassis no. 13547
18	77.19474	Quarterlight rubber	as reqd	
-	77.14424	Door aperture seal, RH	1	
19	77.14425	Door aperture seal, LH	1	
-	693415	Adhesive, seal attach	as reqd	
20	66.11897	Door check link	2	
21	66.14943	Packing, 1.6mm thick	as reqd	
-	66.14944	Packing, 3.2mm thick	as reqd	
22	692215	Screw, M5 x 20	4	} Check link to door
23	692065	Washer, shakeproof, M5	4	
24	122422	Washer, plain, 2 BA	4	
25	691469	Shear pin	2	} Check link to 'A' post bracket
26	692300	Fixer	2	
27	-	Interior handles	2	See section 7.4B
-	-	Wood trims	2	See section 7.4B
-	78.11044	Door exterior finisher, LH	1	} See also section 7.5A Up to chassis no. 13539
-	78.11043	Door exterior finisher, RH	1	
-	78.11234	Finisher clip	6	
-	80.17009	Finisher, RH	1	
-	80.17010	Finisher, LH	1	
-	80.25854	Finisher, top plate, RH	1	} From December 1987
-	80.25855	Finisher, top plate, LH	1	
28	77.26116	Seal, outer door frame aperture, 1.4 mtr. long	5	Stick-on. From chassis 13548
		<b>Door mirrors to 1985 (Continued over)</b>		
-	095.078.0006	Door mirror, electric, convex, RH	1	} USA cars } Chrome base. Up to chassis no. 13177
-	095.078.0007	Door mirror, electric, convex, LH	1	
-	96.14926	Mirror glass, convex, replacement	2	
-	095.078.0011	Door mirror, electric, flat, RH	1	
-	095.078.0012	Door mirror, electric, flat, LH	1	
-	96.14923	Mirror glass, flat, replacement	2	
-	63.11626	Mirror mounting plate, RH RHD	1	
-	63.11627	Mirror mounting plate, LH LHD	1	
-	690479	Screw, 2 BA x 2 in.	4	
-	122422	Washer, plain, 2BA	4	
-	690484	Nut, Nyloc, 2BA	4	} Mirror attach
-	37.17400	Door mirror, electric, convex, RH	1	
-	37.17401	Door mirror, electric, convex, LH	1	} Blackbase. From chassis no. 13178 to 1983
-	96.14926	Mirror glass, convex, replacement	2	
-	37.17565	Door mirror, electric, flat, RH	1	} USA cars
-	37.17566	Door mirror, electric, flat, LH	1	
-	96.14923	Mirror glass, flat, replacement	2	

# CHASSIS AND BODY



## Body - Doors Front Doors



AM 1409



## CHASSIS AND BODY

Body - Doors  
Front Doors

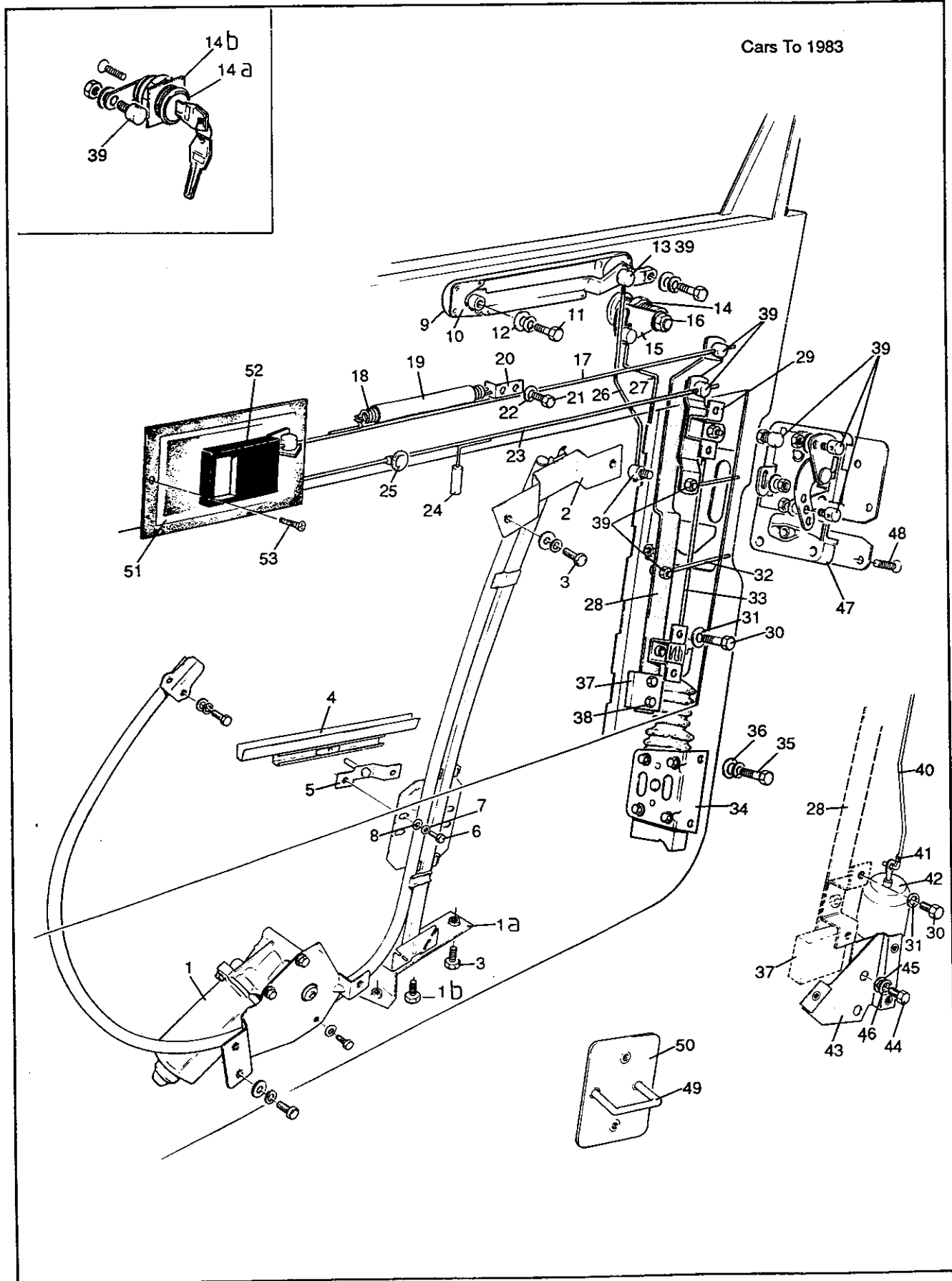
Illus No.	Part Number	Description	Qty	Remarks
		<b>Door mirrors to 1985 (Continued)</b>		
-	37.18908	Door mirror, electric, heated, convex, RH	1	} Blackbase. } From chassis no. } 13284 (1983) to } chassis no.13437
-	37.18909	Door mirror, electric, heated, convex, LH	1	
-	96.14926	Mirror glass, convex, replacement	2	
-	37.18906	Door mirror, electric, heated, flat, RH	1	
-	37.18907	Door mirror, electric, heated, flat, LH	1	
-	96.14923	Mirror glass, flat, replacement	2	
-	78.17256	Rubber gasket	2	
-	692721	Harness grommet	2	
-	692151	Nut, Nyloc, M6	4	
-	37.16909	Harness, passenger's door mirror	1	
		<b>Door mirrors from chassis no. 13438 (1985) to chassis no. 13539 (1988)</b>		
-	37.21135	Door mirror, electric, convex, LH	1	LHD
-	37.21136	Door mirror, electric, convex, RH	1	LHD
-	37.21137	Door mirror, electric, convex, LH	1	RHD
-	37.21138	Door mirror, electric, convex, RH	1	RHD
-	37.21271	Mirror glass, convex, replacement	2	
-	37.21133	Door mirror, electric, heated, flat, LH	1	} Standard on USA cars } Optional on other countries } Supplied with door mirrors. } Also available as } service items
-	37.21134	Door mirror, electric, heated, flat, RH	1	
-	37.21272	Mirror glass, flat, replacement	2	
-	37.21196	Door mirror switch, thin lever	2	
-	37.26319	Door mirror dome cap	2	
-	37.26320	Door mirror long cap	2	
-	693179	Screw, M5 x 20, countersunk head	6	
-	693172	Rivnut, M5	6	
-	693166	Wiring terminal	12	
-	692703	Wiring terminal - 3 mm pin	6	
-	692704	Wiring terminal - 3 mm socket	6	
-	692844	Pin moulding - 4 way	1	} Door mirror } fixing
-	692740	Socket moulding - 4 way	1	
-	692841	Pin moulding - single	2	
-	692842	Socket moulding - single	2	
-	692884	Wiring terminal	2	
-	020.037.0237	Wiring terminal - eyelet, 2 BA	2	
-	693221	Harness plug	2	
-	693222	Terminal	12	
-	693418	Harness plug	2	
-	693419	Terminal receptacle	12	
-	692721	Grommet, door mirror harness	2	
		<b>Door mirrors from chassis no. 13540 (1988)</b>		
29	37.25431	Door mirror body, electric, LH	1	LHD } Supplied
30	37.25432	Door mirror body, electric, RH	1	LHD } without
-	37.25430	Door mirror body, electric, LH	1	RHD } mirror
-	37.25429	Door mirror body, electric, RH	1	RHD } glasses
-	37.25434	Mirror glass, heated, convex, LH	1	
-	37.25468	Mirror glass, heated, flat, LH	1	USA cars
-	37.25433	Mirror glass, heated, convex, RH	1	
-	37.25467	Mirror glass, heated, flat, RH	1	USA cars
-	37.24206	Harness, door mirror	2	
-	-	Mirror mounting pads	2	See section: 7.7A.2

# CHASSIS AND BODY



## Body - Doors Front Door Lock & Window Lift Mechanisms

Cars To 1983







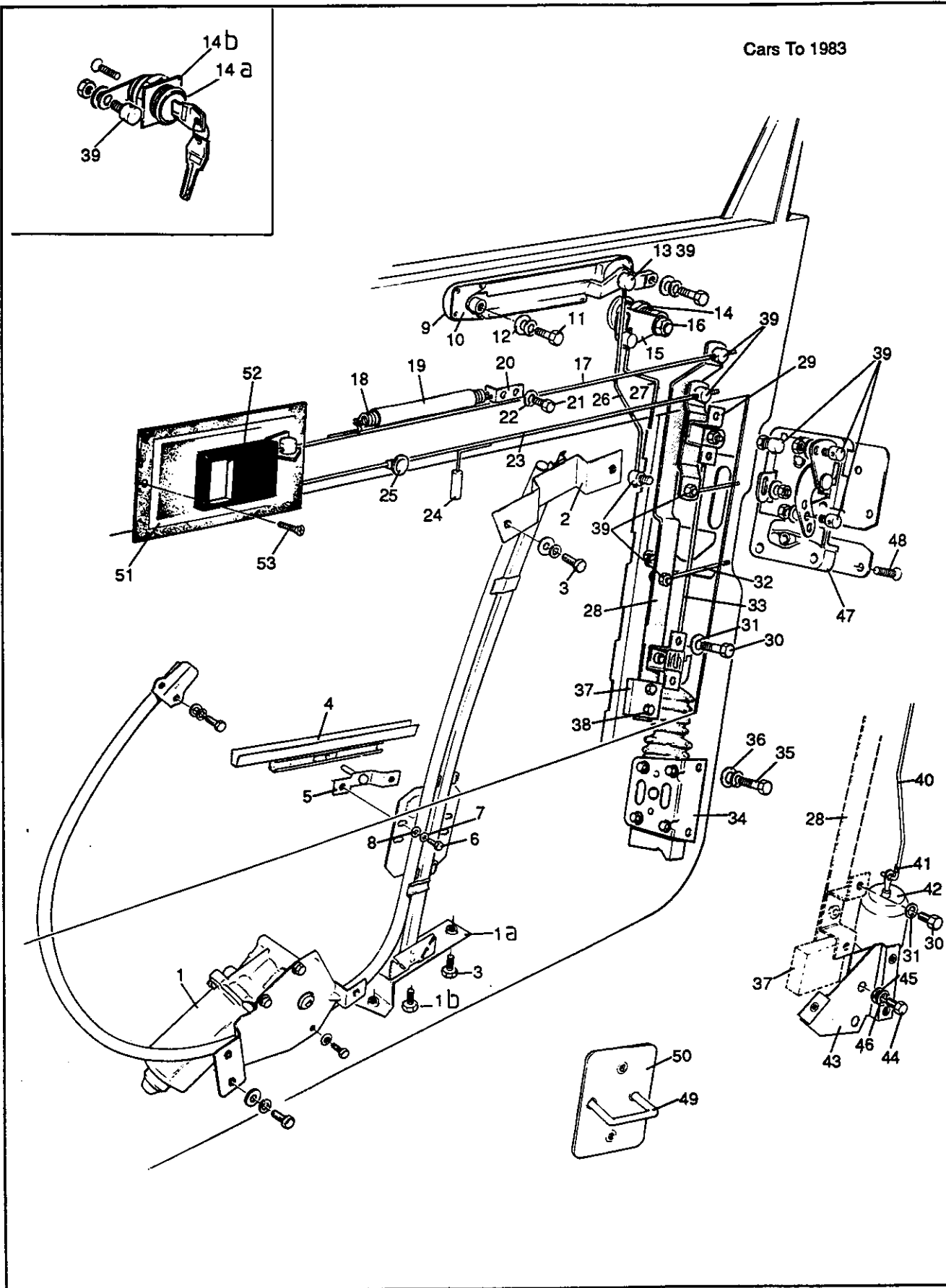
## CHASSIS AND BODY

### Body - Doors Front Door Lock & Window Lift Mechanisms Cars to 1983

Illus No.	Part Number	Description	Qty	Remarks
1	65.11192	Window lift motor assembly, RH	1	
-	65.11193	Window lift motor assembly, LH	1	
-	692033	Hank bush, M5	6	
-	692041	Hank bush, M6	6	Later cars
1A	65.11300	Bracket, motor mount, RH	1	
-	65.11301	Bracket, motor mount, LH	1	
1B	692038	Screw, M6 x 12, Posidrive	4	Bracket attachment
2	65.12511	Support bracket, RH	1	
-	65.12512	Support bracket, LH	1	
3	692242	Screw, M5 x 12, Posidrive	8	} Motor assembly to door
-	692038	Screw, M6 x 12, Posidrive. Later cars	8	
-	65.17170	Nylon slide, window lift	2	
4	65.11318	Door glass channel	2	
-	692518	Rubber strip, flat	8 ft	
-	65.11317	Guide block	2	
5	65.11314	Bracket, window lift	2	
6	692243	Screw, M5 x 16, Posidriv	4	} Bracket to window lift assembly
7	692065	Washer, shakeproof, M5	4	
8	690257	Washer, plain, 3/16 in. ID	4	
9	65.11310	Exterior handle, RH	1	
-	65.11311	Exterior handle, LH	1	
10	65.12040	Gasket, exterior handle, RH	1	
-	65.12041	Gasket, exterior handle, LH	1	
11	692090	Screw, M5 x 12	4	
12	119496	Washer, plain, 3/16 in. ID	4	
13	65.14180	Trunnion bush	2	
-	65.13925	Locks kit - driver's/passenger's door, boot	1	Consists of: 1 off 65.13645 and 2 off 65.18221
14	65.13645	Door lock, driver's	1	
14A	65.18221	Door lock, passenger's	1	Alternative is 67.23509
14B	069.065.0149	Plate, door lock packing	2	
15	65.13884	Quadrant, door lock	1	
-	692067	Washer, spring, M8	1	
16	692482	Locknut, M8	1	
17	65.13873	Link, interior operating	2	Up to chassis no. 13143
-	65.17328	Link, interior operating	2	From chassis no. 13144
18	021.029.0139	Return spring	2	
19	121892	Sleeve	as reqd	
20	65.14450	Spring retainer	2	
21	692126	Screw, M4 x 8	4	
-	692064	Washer, shakeproof, M4	4	
22	692054	Washer, plain, M4	4	
23	65.13874	Link, interior locking, RH	1	} Up to chassis no. 13143
-	65.13875	Link, interior locking, LH	1	
-	65.16984	Link, interior locking, RH/LH	2	From chassis no. 13144
24	65.12604	Link knob	2	
25	692343	Link clip	10	
26	65.13871	Link	2	Door handle to lock
27	65.13872	Link	2	Door quadrant to lock, up to chassis no. 13143
-	65.16985	Link	2	Door quadrant to lock, from chassis no. 13144

# CHASSIS AND BODY

## Body - Doors Front Door Lock & Window Lift Mechanisms





## CHASSIS AND BODY

 Body - Doors  
 Front Door Lock & WindowLift Mechanisms  
 Cars to 1983

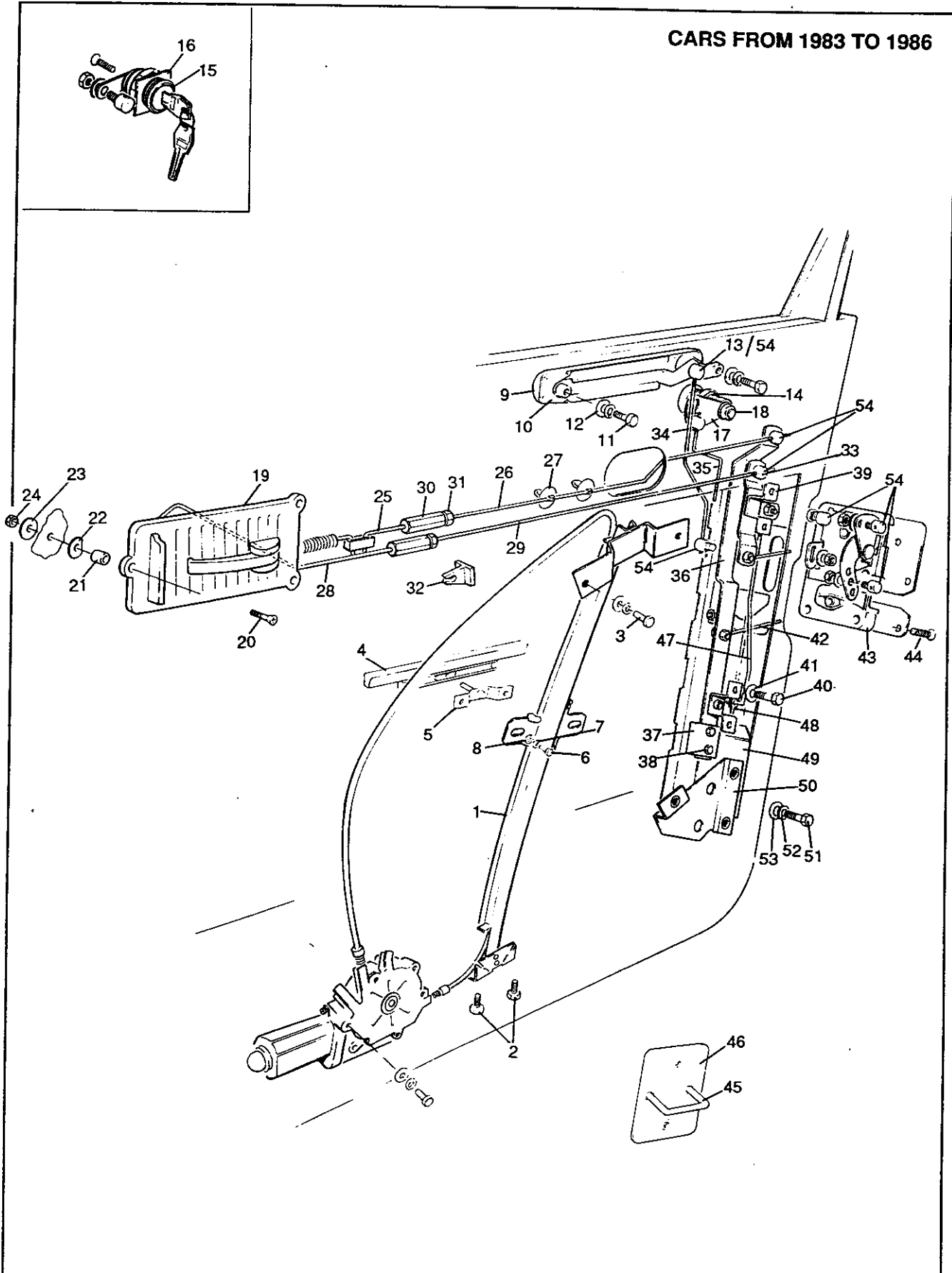
Illus No.	Part Number	Description	Qty	Remarks
28	65.13879	Long lever assembly	2	
29	65.13864	Short lever assembly, RH	1	
-	65.13865	Short lever assembly, LH	1	
30	692228	Screw, M4 x 10	4	} Lever pivots } to frame
31	692054	Washer, plain, M4	4	
32	65.13878	Link, door lock	4	Up to chassis no. 13143 From chassis no. 13144
-	65.16983	Link, door lock	4	
-	691618	Nut, No.6 UNF	4	
33	65.13876	Link, RH actuator	1	
-	65.13877	Link, LH actuator	1	
34	37.11091	Actuator, RH	1	
-	37.11090	Actuator, LH	1	
35	110918	Screw, 4BA x 1/2 in.	4	} Actuator to } door frame
36	119496	Washer, plain, 3/16 in. ID	4	
37	65.13975	Counter balance weight	2	
38	692228	Screw, M4 x 10	4	
39	069.065.0213	Trunnion	20	
-	119496	Washer, plain, 3/16 in. ID	30	
-	690484	Nut, Nyloc, 2BA	20	
-	069.099.0016	Linkage clip and bush	20	
40	65.18005	Link, LH & RH actuator	2	
41	069.099.0016	Bush and clip	4	
42	37.15001	Actuator, RH	1	
-	37.15017	Actuator, LH	1	
43	65.18006	Bracket, RH	1	} Bracket } to } door frame } Actuator } to } bracket
-	65.18007	Bracket, LH	1	
-	692090	Screw, M5 x 12	6	
-	692055	Washer, plain, M5	6	
-	692045	Washer, spring, M5	6	
44	510406	Screw, 1/4 in. UNC x 3/4 in.	4	
45	110943	Washer, spring, 1/4 in.	4	
46	690290	Washer, plain, 1/4 in.	4	
47	069.065.0179	Door lock, RH	1	
-	069.065.0180	Door lock, LH	1	
48	691784	Screw, 1/4 in. UNF x 1 in., countersunk head	8	
49	069.065.0199	Door lock striker	2	Extended reach from 1983
-	65.17870	Door lock striker	2	
50	069.080.0053	Finisher plate	2	
-	691783	Screw, 1/4 in. UNF x 1/2 in., countersunk head	4	
51	65.13969	Interior handle	2	
-	691036	Tension pin	2	
52	65.13917	Lever cover plate, RH	1	
-	65.13918	Lever cover plate, LH	1	
53	539.000.0808	Screw, No. 8 x 1 in., countersunk head	4	
-	80.12105	Wood trim, RH	1	
-	80.12106	Wood trim, LH	1	
-	65.14144	Switch bracket	1	RHD
-	65.15733	Switch bracket	1	LHD (except USA)

# CHASSIS AND BODY

## Body - Doors Front Door Lock & Window Lift Mechanisms



CARS FROM 1983 TO 1986





## CHASSIS AND BODY

 Body - Doors  
 Front Door Lock & WindowLift Mechanisms  
 Cars from 1983 to 1986

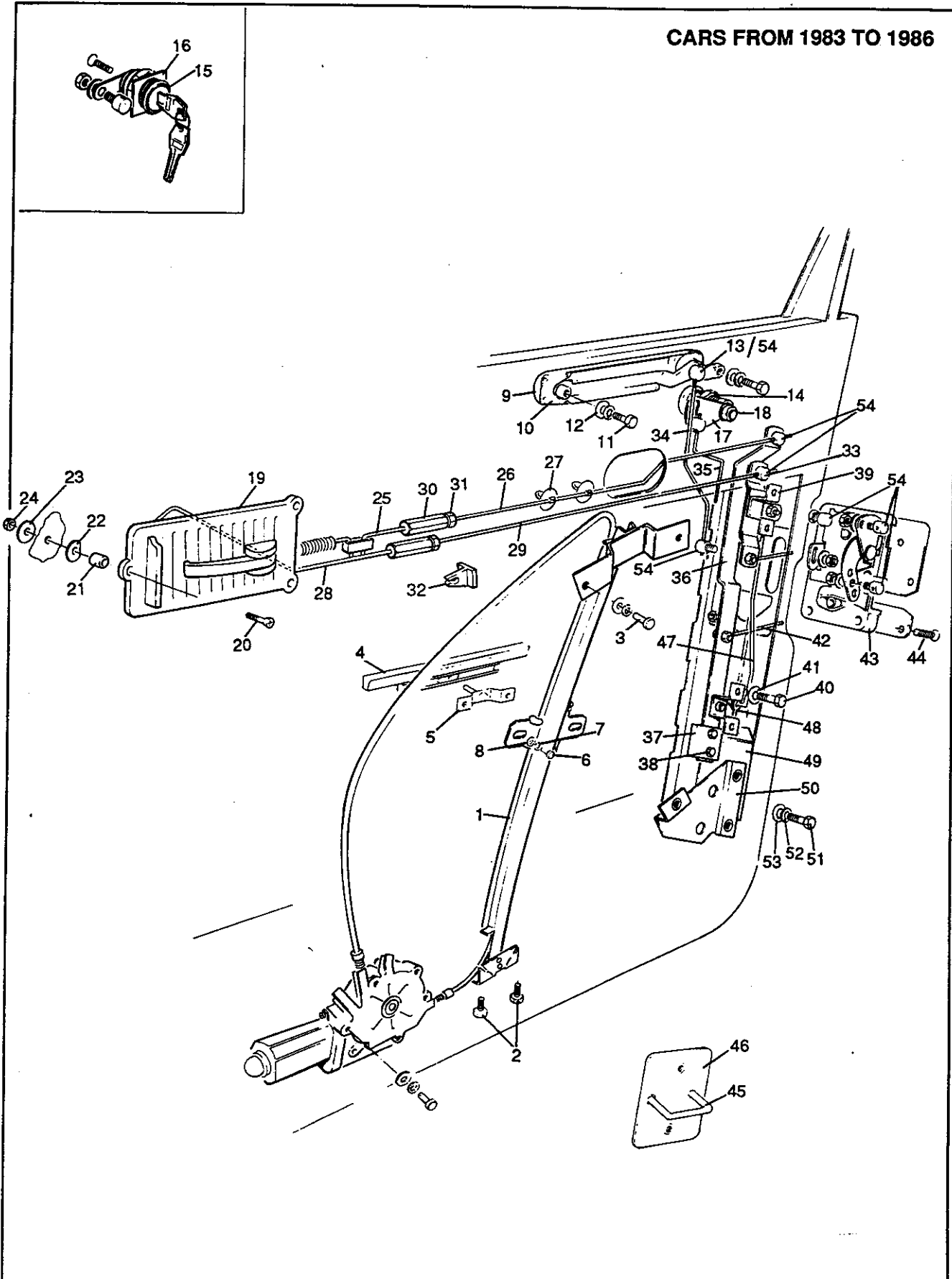
Illus No.	Part Number	Description	Qty	Remarks	
-	65.11192	Window lift motor assembly, RH	1	} Motor assembly to door	
-	65.11193	Window lift motor assembly, LH	1		
-	692033	Hank bush, M5	6		
-	692041	Hank bush, M6	6		Later cars
-	65.11300	Bracket, motor mount, RH	1		} Bracket attachment
-	65.11301	Bracket, motor mount, LH	1		
-	692038	Screw, M6 x 12, Posidrive	4		
-	65.12511	Support bracket, RH	1		
-	65.12512	Support bracket, LH	1		} Motor assembly to door
-	692242	Screw, M5 x 12, Posidrive	8		
-	692038	Screw, M6 x 12, Posidrive. Later cars	8	} Motor assembly to door	
-	65.17170	Nylon slide, window lift	2		
1	65.19697	Window lift motor assembly, RH	1	} Motor assembly to door	
-	65.19698	Window lift motor assembly, LH	1		
2	692038	Screw, M6 x 12, Posidrive	4	} Motor assembly to door	
3	692242	Screw, M5 x 12, Posidrive	4		
4	65.11318	Door glass channel	2	} Bracket to window lift assembly	
-	692518	Rubber strip, flat	8 ft		
-	65.11317	Guide block	2	} Motor assembly to door	
5	65.11314	Bracket, window lift	2		
6	692243	Screw, M5 x 16, Posidriv	4	} Motor assembly to door	
7	692065	Washer, shakeproof, M5	4		
8	690257	Washer, plain, 3/16 in. ID	4	} Motor assembly to door	
9	65.11310	Exterior handle, RH	1		
-	65.11311	Exterior handle, LH	1	} Motor assembly to door	
10	65.12040	Gasket, exterior handle, RH	1		
-	65.12041	Gasket, exterior handle, LH	1	} Motor assembly to door	
11	692090	Screw, M5 x 12	4		
12	119496	Washer, plain, 3/16 in. ID	4	} Motor assembly to door	
13	65.14180	Trunnion bush	2		
-	65.13925	Locks kit - driver's/passenger's door, boot	1	Consists of: 1 off 65.13645 and 2 off 65.18221	
14	65.13645	Door lock, driver's	1	} Motor assembly to door	
15	65.18221	Door lock, passenger's	1		
16	069.065.0149	Plate, door lock packing	2	} Motor assembly to door	
17	65.13884	Quadrant, door lock	1		
-	692067	Washer, spring, M8	1	} Motor assembly to door	
18	692482	Locknut, M8	1		
-	069.065.0244	Interior handle, RH	1	} Motor assembly to door	
-	069.065.0245	Interior handle, LH	1		
19	65.19377	Interior handle, RH	1	} Motor assembly to door	
-	65.19378	Interior handle, LH	1		
20	692296	Screw, M6 x 30, countersunk head	6	} Motor assembly to door	
21	65.18595	Spacer	6		
22	66.18594	Washer, special	6	} Motor assembly to door	
23	110925	Washer, special	6		
24	692151	Nut, Nyloc, M6	6	} Motor assembly to door	
-	87.18372	Wood trim, RH	1		
-	87.18373	Wood trim, LH	1	} Motor assembly to door	
25	65.18397	Link, interior handle to adjuster	2		

# CHASSIS AND BODY



## Body - Doors Front Door Lock & Window Lift Mechanisms

CARS FROM 1983 TO 1986





## CHASSIS AND BODY

 Body - Doors  
 Front Door Lock & WindowLift Mechanisms  
 Cars from 1983 to 1986

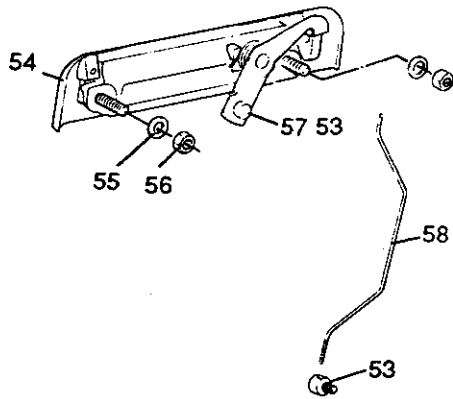
Illus No.	Part Number	Description	Qty	Remarks
26	65.18395	Link, adjuster to long lever assembly	2	Interior operating
27	692763	Rod clip	4	
28	65.18582	Link, interior handle to adjuster, RH	1	Interior locking
-	65.18583	Link, interior handle to adjuster, LH	1	
29	65.18394	Link, adjuster to short lever	2	Door handle to lock
30	65.18576	Adjuster	4	
31	691618	Nut, No.6 UNF, adjuster locking	4	Door quadrant to lock
32	692343	Rod clip	12	
33	069.099.0016	Bush and clip	2	Door quadrant to lock
34	65.13871	Link	2	
35	65.16985	Link	2	Door quadrant to lock
36	65.13879	Long lever assembly	2	
37	65.13975	Counter balance weight	2	Door quadrant to lock
38	692228	Screw, M4 x 10	4	
39	65.13864	Short lever assembly, RH	1	Lever pivots to frame
-	65.13865	Short lever assembly, LH	1	
40	692228	Screw, M4 x 10	4	Lever pivots to frame
41	692054	Washer, plain, M4	4	
42	65.16983	Link, door lock	4	Lever pivots to frame
-	691618	Nut, No.6 UNF	4	
43	069.065.0179	Door lock, RH	1	Lever pivots to frame
-	069.065.0180	Door lock, LH	1	
44	691784	Screw, 1/4 in. UNF x 1 in., countersunk head	8	Lever pivots to frame
45	069.065.0199	Door lock striker	2	
-	65.17870	Door lock striker	2	Extended reach from 1983
46	069.080.0053	Finisher plate	2	
-	691783	Screw, 1/4 in. UNF x 1/2 in., countersunk head	4	Extended reach from 1983
47	65.18005	Link, LH & RH actuator	2	
48	069.099.0016	Bush and clip	4	Extended reach from 1983
49	37.15001	Actuator, RH	1	
-	37.15017	Actuator, LH	1	Extended reach from 1983
50	65.18006	Bracket, RH	1	
-	65.18007	Bracket, LH	1	Extended reach from 1983
-	692090	Screw, M5 x 12	6	
-	692055	Washer, plain, M5	6	Bracket to door frame
-	692045	Washer, spring, M5	6	
51	510406	Screw, 1/4 in. UNC x 3/4 in.	4	Actuator to bracket
52	110943	Washer, spring, 1/4 in.	4	
53	690290	Washer, plain, 1/4 in.	4	Actuator to bracket
54	069.065.0213	Trunnion	20	
-	119496	Washer, plain, 3/16 in. ID	30	Actuator to bracket
-	690484	Nut, Nyloc, 2BA	20	
-	069.099.0016	Linkage clip and bush	20	Actuator to bracket
-				

# CHASSIS AND BODY

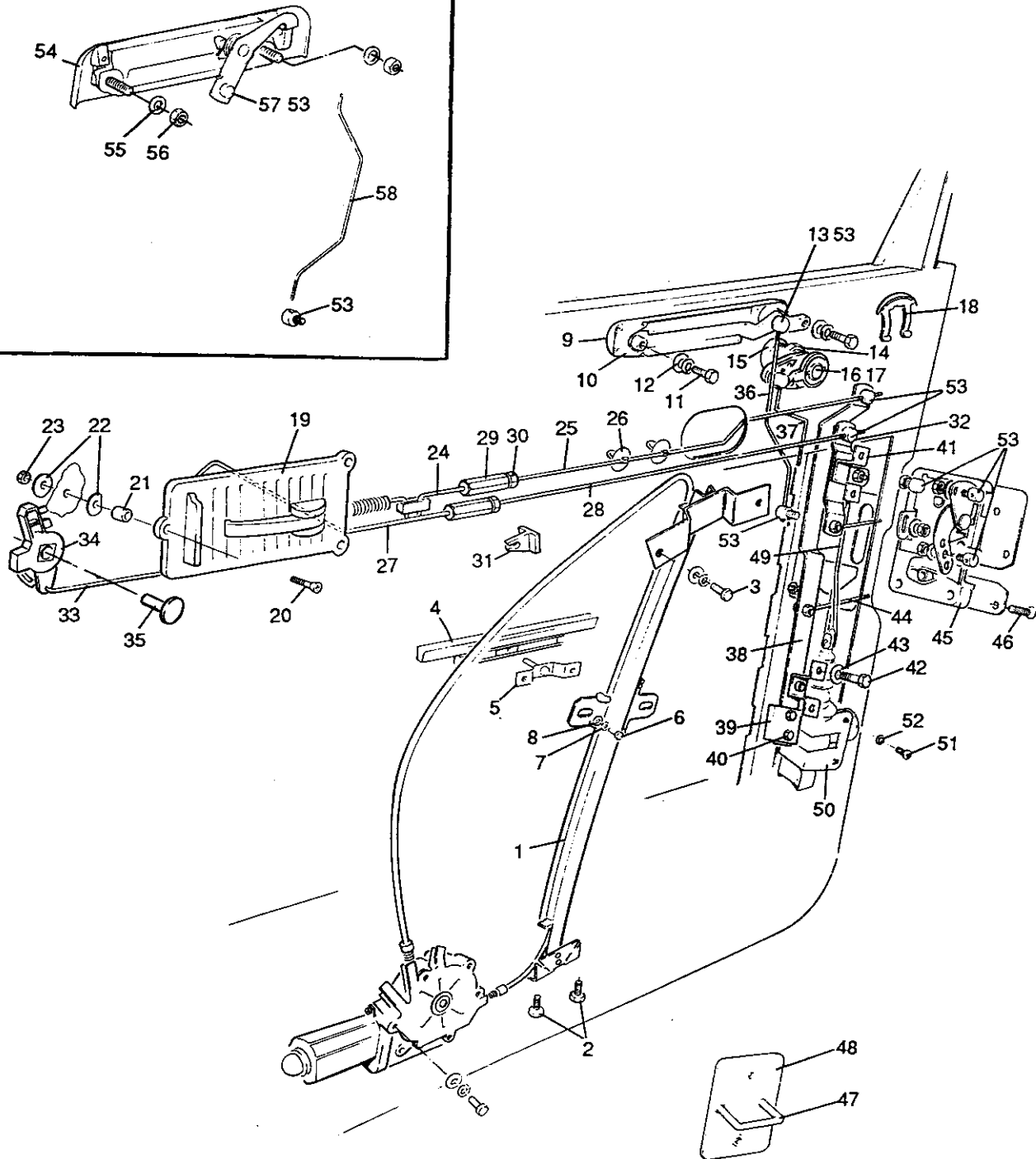


## Body - Doors Front Door Lock & Window Lift Mechanisms

Cars From Chassis No 13540



Cars From 1986







## CHASSIS AND BODY

 Body - Doors  
 Front Door Lock & WindowLift Mechanisms  
 Cars from 1986

Illus No.	Part Number	Description	Qty	Remarks	
1	65.19697	Window lift motor assembly, RH	1	} Motor assembly to door	
-	65.19698	Window lift motor assembly, LH	1		
2	692038	Screw, M6 x 12, Posidrive	4		
3	692242	Screw, M5 x 12, Posidrive	4		
4	65.11318	Door glass channel	2	} 8 ft	
-	692518	Rubber strip, flat	8 ft		
-	65.11317	Guide block	2	} Bracket to window lift assembly	
5	65.11314	Bracket, window lift	2		
6	692243	Screw, M5 x 16, Posidriv	4		
7	692065	Washer, shakeproof, M5	4		
8	690257	Washer, plain, 3/16 in. ID	4	} Cars to chassis no. 13539	
9	65.11310	Exterior handle, RH	1		
-	65.11311	Exterior handle, LH	1		
10	65.12040	Gasket, exterior handle, RH	1		
-	65.12041	Gasket, exterior handle, LH	1		
11	692090	Screw, M5 x 12	4		
12	119496	Washer, plain, 3/16 in. ID	4		
13	65.14180	Trunnion bush	2		
-	65.20833	Locks kit - driver's/passenger's door, ignition	1		
14	65.20906	Private lock assembly, with key	2		} Consists of: 1 off 25.20742 and 2 off 65.20906 Part of lock set, 65.20833
15	65.26770	Ring, plastic, black	2		
16	65.21419	Limit cam, private lock	2	} Limit cam to private lock	
17	692205	Pop rivet, 1/8 in. dia.	4		
18	65.20844	Clip, private lock retaining	2		
19	65.19377	Interior handle, RH	1	} Door handle fixings	
-	65.19378	Interior handle, LH	1		
20	692296	Screw, M6 x 30, countersunk head	6		
21	65.18595	Spacer	6		
22	690386	Washer, plain, 1/4 in. x 3/4 in. O.D.	12		
23	692151	Nut, Nyloc, M6	6		
-	87.18372	Wood trim, RH	1		
-	87.18373	Wood trim, LH	1		
24	65.18397	Link, interior handle to adjuster	2		} Interior operating
25	65.18395	Link, adjuster to long lever assembly	2		
26	095.065.0094	Rod clip	4		
27	65.18582	Link, interior handle to adjuster, RH	1		
-	65.18583	Link, interior handle to adjuster, LH	1		
-	103.065.0020	Link clip and bush	2		
28	65.18394	Link, adjuster to short lever	2	} Interior locking	
29	65.18576	Adjuster	4		
30	691618	Nut, No.6 UNF, adjuster locking	4		
31	692343	Rod clip	12		
32	069.099.0016	Bush and clip	2	} Modify to suit car	
33	65.22412	Link, interior handle to switch, RH	1		
-	65.22413	Link, interior handle to switch, LH	1		
-	103.065.0020	Link clip and bush	4		
34	37.20828	Switch, RH	1		
-	37.20829	Switch, LH	1		
35	37.20827	Retaining pin	2		} Switches to door frame
-	692583	Screw, No. 6 x 1/2 in., self tapping	2		
-	110801	Washer, shakeproof	2		

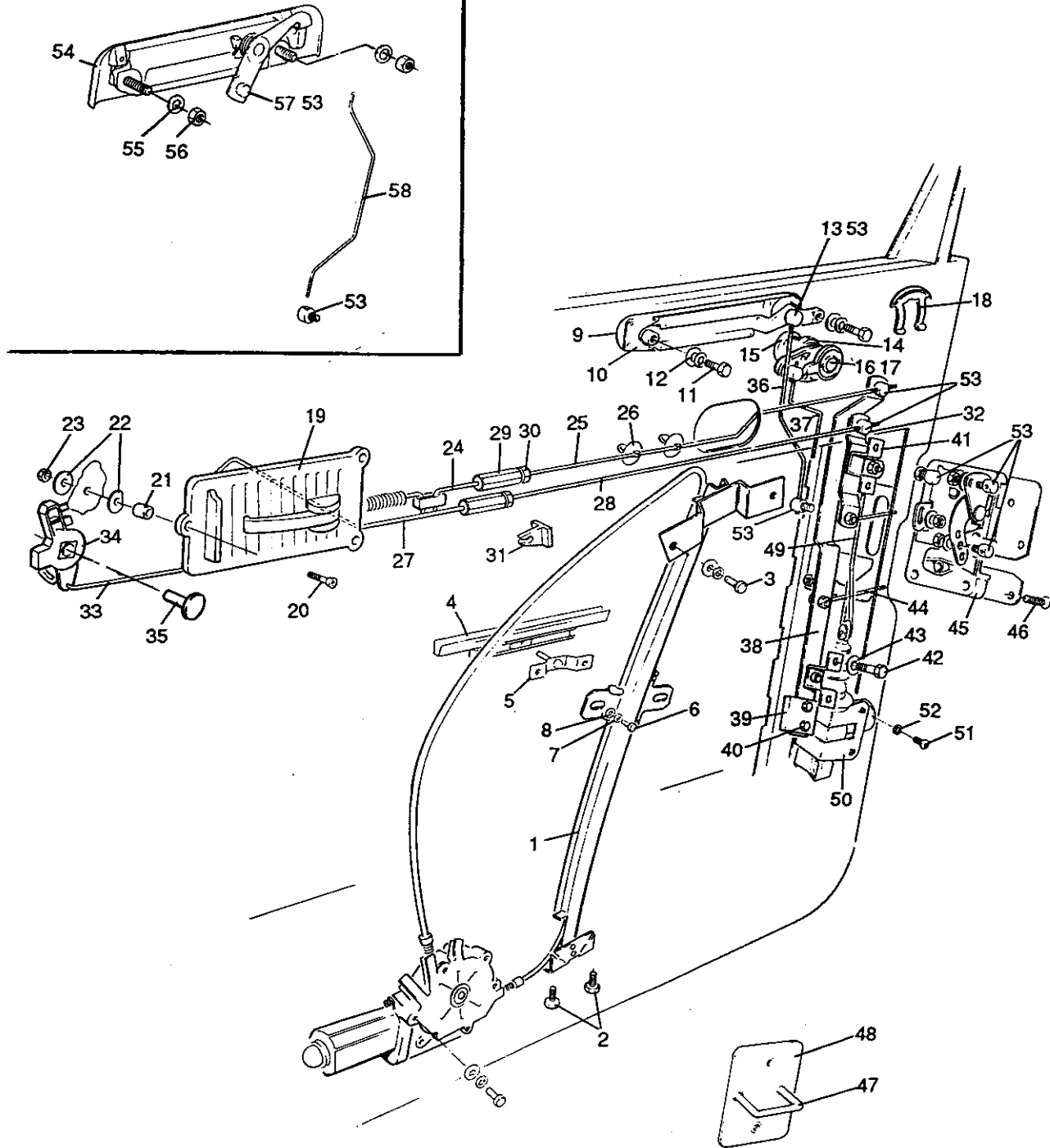
# CHASSIS AND BODY



## Body - Doors Front Door Lock & Window Lift Mechanisms

Cars From Chassis No 13540

Cars From 1986





## CHASSIS AND BODY

 Body - Doors  
 Front Door Lock & Window Lift Mechanisms  
 Cars from 1986

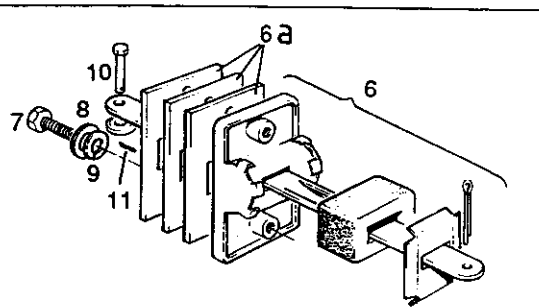
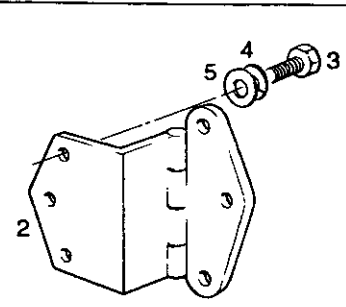
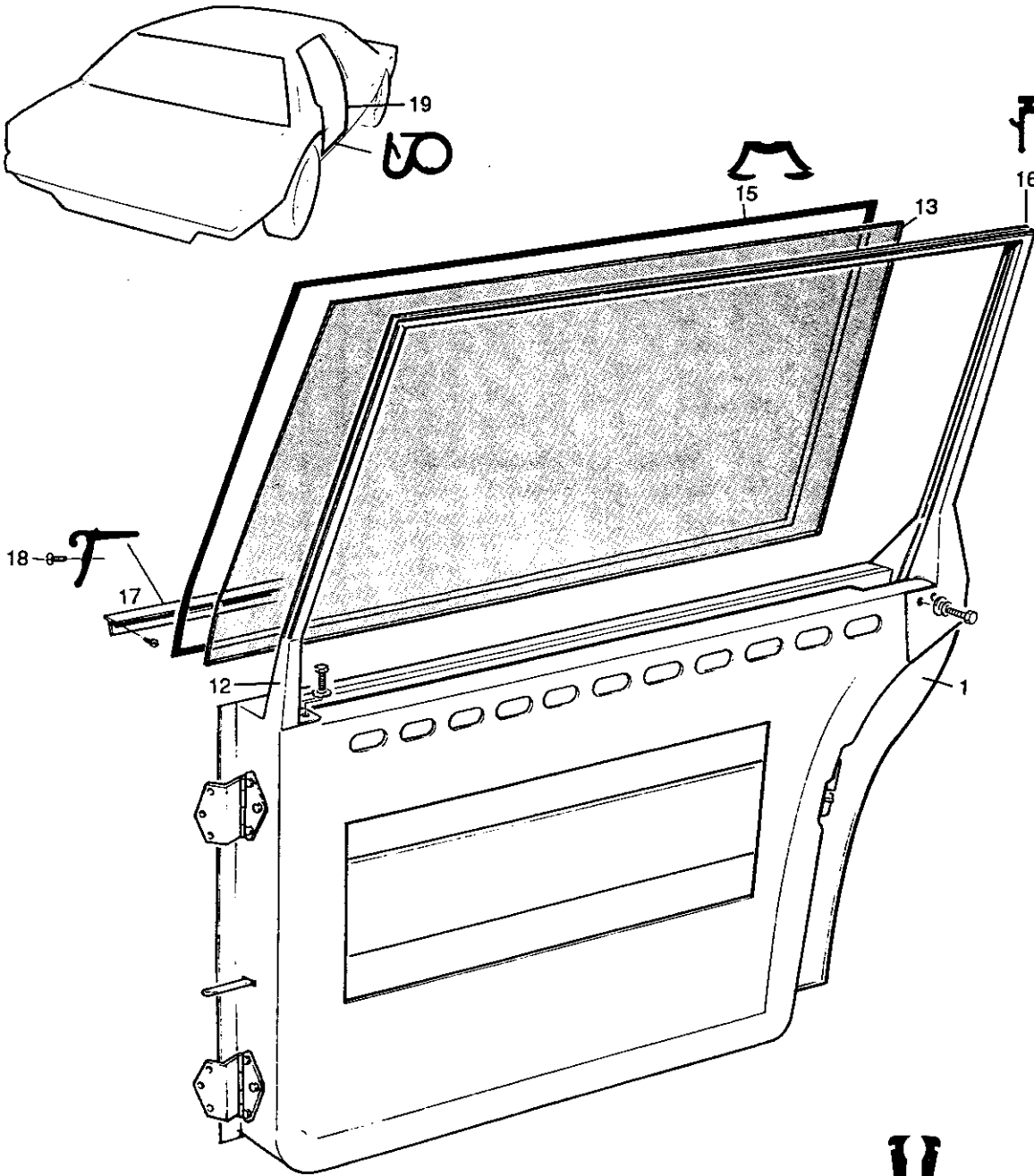
Illus No.	Part Number	Description	Qty	Remarks
36	65.13871	Link	2	Door handle to lock Cars to chassis no. 13539
37	65.16985	Link	2	Door quadrant to lock
38	65.13879	Long lever assembly	2	
39	65.13975	Counter balance weight	2	
40	692228	Screw, M4 x 10	4	
41	65.13864	Short lever assembly, RH	1	
-	65.13865	Short lever assembly, LH	1	
42	692228	Screw, M4 x 10	8	} Lever pivots } to frame
43	692054	Washer, plain, M4	8	
44	65.16983	Link, door lock	4	
-	691618	Nut, No.6 UNF	4	
45	069.065.0179	Door lock, RH	1	
-	069.065.0180	Door lock, LH	1	
46	691784	Screw, 1/4 in. UNF x 1 in., countersunk head	8	
-	692195	Screw, M6 x 25, countersunk head	8	From chassis no. 13540
47	65.17870	Door lock striker	2	Extended reach from 1983
48	069.080.0053	Finisher plate	2	
-	691783	Screw, 1/4 in. UNF x 1/2 in., countersunk head	4	
49	65.22410	Link, RH actuator	1	
-	65.22411	Link, LH actuator	1	
-	069.099.0016	Bush and clip	4	
50	37.20831	Actuator, RH	1	
-	37.20830	Actuator, LH	1	
51	692038	Screw, M6 x 12	4	} Actuator to } door frame
52	692066	Washer, shakeproof, M6	4	
53	069.065.0213	Trunnion	20	
-	119496	Washer, plain, 3/16 in. ID	30	
-	690484	Nut, Nyloc, 2BA	20	
-	069.099.0016	Linkage clip and bush	20	
54	78.24033	Exterior handle, RH	1	
-	78.24034	Exterior handle, LH	1	
55	693809	Fibre washer	4	
56	692151	Nut, Nyloc, M6	4	} Cars from } chassis no. 13540
57	65.25970	Trunnion bush	2	
-	690217	Washer, wavy, 5/16 in.	2	
-	122422	Washer, plain, 2 BA	2	
58	65.24154	Link	2	Door handle to lock

# CHASSIS AND BODY

Body - Doors

Rear Doors

Cars to 1983



AM 1410



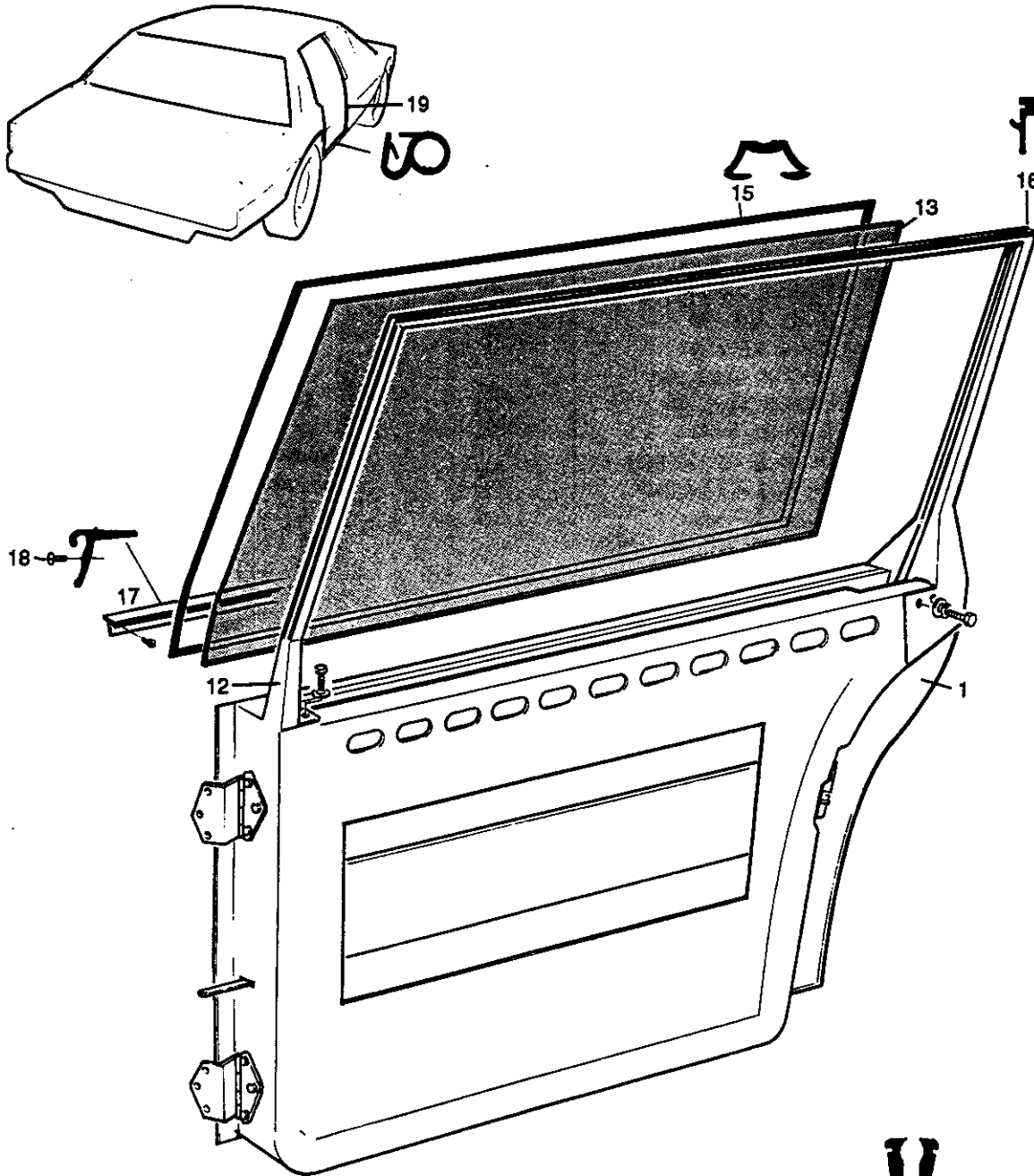
## CHASSIS AND BODY

Body - Doors  
Rear Doors  
Cars to 1983

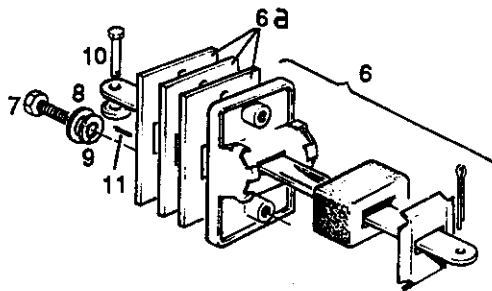
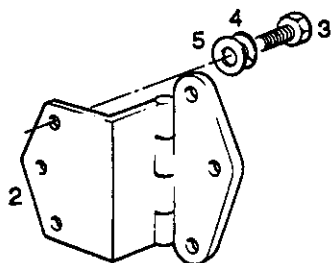
Illus No.	Part Number	Description	Qty	Remarks
1	66.11498	Door frame, RH	1	} Use later glass frames when replacing. (Item 12)
-	66.11499	Door frame, LH	1	
-	66.14166	Frame reinforcement	2	
-	66.10583	Door skin, RH	1	
-	66.10584	Door skin, LH	1	
2	66.12407	Door hinge, RH	2	
-	66.12406	Door hinge, LH	2	
-	66.14903	Packing, 0.75mm	as reqd	
-	66.14904	Packing, 1.5mm	as reqd	
-	692129	Screw, M8 x 25	12	Hinge to door
3	692544	Screw, M8 x 30	12	Hinge to BC post
4	692047	Washer, spring, M8	24	} Hinge to door and BC Post
5	692057	Washer, plain, M8	24	
6	66.11897	Door check link	2	
6A	66.14943	Packing, 1.6 mm thick	as reqd	
-	66.14944	Packing, 3.2mm thick	as reqd	
7	692215	Screw, M5 x 20	4	} Check link to door
8	692065	Washer, shakeproof, M5	4	
9	122422	Washer, plain, 2 BA	4	
10	691469	Shear pin	2	} Check link to post
11	692300	Fixer	2	
-	66.15579	Glass frame, RH	1	} Up to chassis no. 13046
-	66.15580	Glass frame, LH	1	
12	66.16300	Glass frame, RH	1	} From chassis no. 13047
-	66.16301	Glass frame, LH	1	
-	66.16285	Seal retainer, LH	1	
-	66.16284	Seal retainer, RH	1	
-	692088	Screw, M6 x 16	10	} Frame fixing
-	692066	Washer, shakeproof, M6	14	
-	124383	Washer, plain, 1/4 in.	14	
-	692267	Bolt, M6 x 30	2	
-	692076	Nut, M6	2	
-	65.17081	Spacer, 2mm thick	as reqd	
-	65.17082	Spacer, 1.2mm thick	as reqd	
-	66.15085	Retainer plate	2	
-	110859	Pop rivet, 1/8 in. dia.	10	
-	653.000.0606	Screw, No 6 x 3/4 in.	2	
13	76.11087	Door glass, RH	1	
-	76.11088	Door glass, LH	1	
-	692518	Rubber strip, flat	4ft	
14	77.19474	Rubber seal	12 ft	Glass
15	692114	Glass channel	as reqd	
16	692372	Rubber seal	16 ft	Frame.
17	65.11313	Seal, outer, door waist	2	
18	110859	Pop rivet, 1/8 in. dia.	20	
-	069.077.0026	Seal, inner, door waist	as reqd	
19	77.14426	Door aperture seal, RH	1	
-	77.14427	Door aperture seal, LH	1	
-	66.14145	Finisher, door corner	2	
-	690278	Screw, No 4 x 1/2 in.	4	

# CHASSIS AND BODY

Body - Doors  
Rear Doors  
Cars to 1983



14



AM 1410



## CHASSIS AND BODY

Body - Doors  
Rear Doors  
Cars to 1983

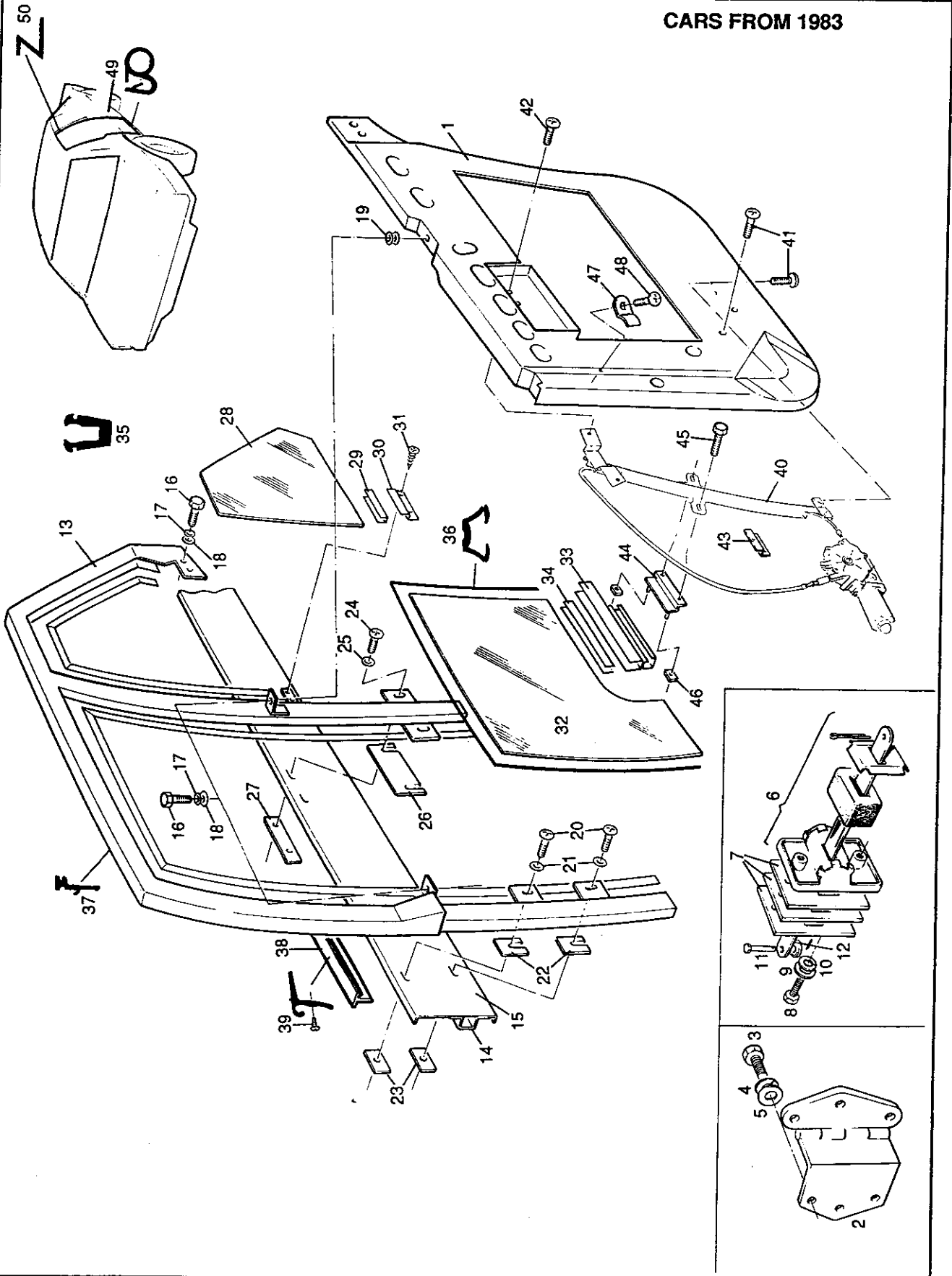
Illus No.	Part Number	Description	Qty	Remarks
-	66.15087	Finisher, rear, RH	1	
-	66.15088	Finisher, rear, LH	1	
-	110750	Screw, No. 4 x 1/2 in., countersunk	2	
-	692545	Screw, M6 x 20, Posidrive	2	
-	690386	Washer, plain, 1/4 in.	2	
-	78.11045	Exterior finisher, RH	1	} See also section 7.7A.1
-	78.11046	Exterior finisher, LH	1	
-	78.11234	Finisher clip	6	

# CHASSIS AND BODY

Body - Doors  
Rear Doors



CARS FROM 1983







## CHASSIS AND BODY

Body - Doors  
Rear Doors  
Cars from 1983

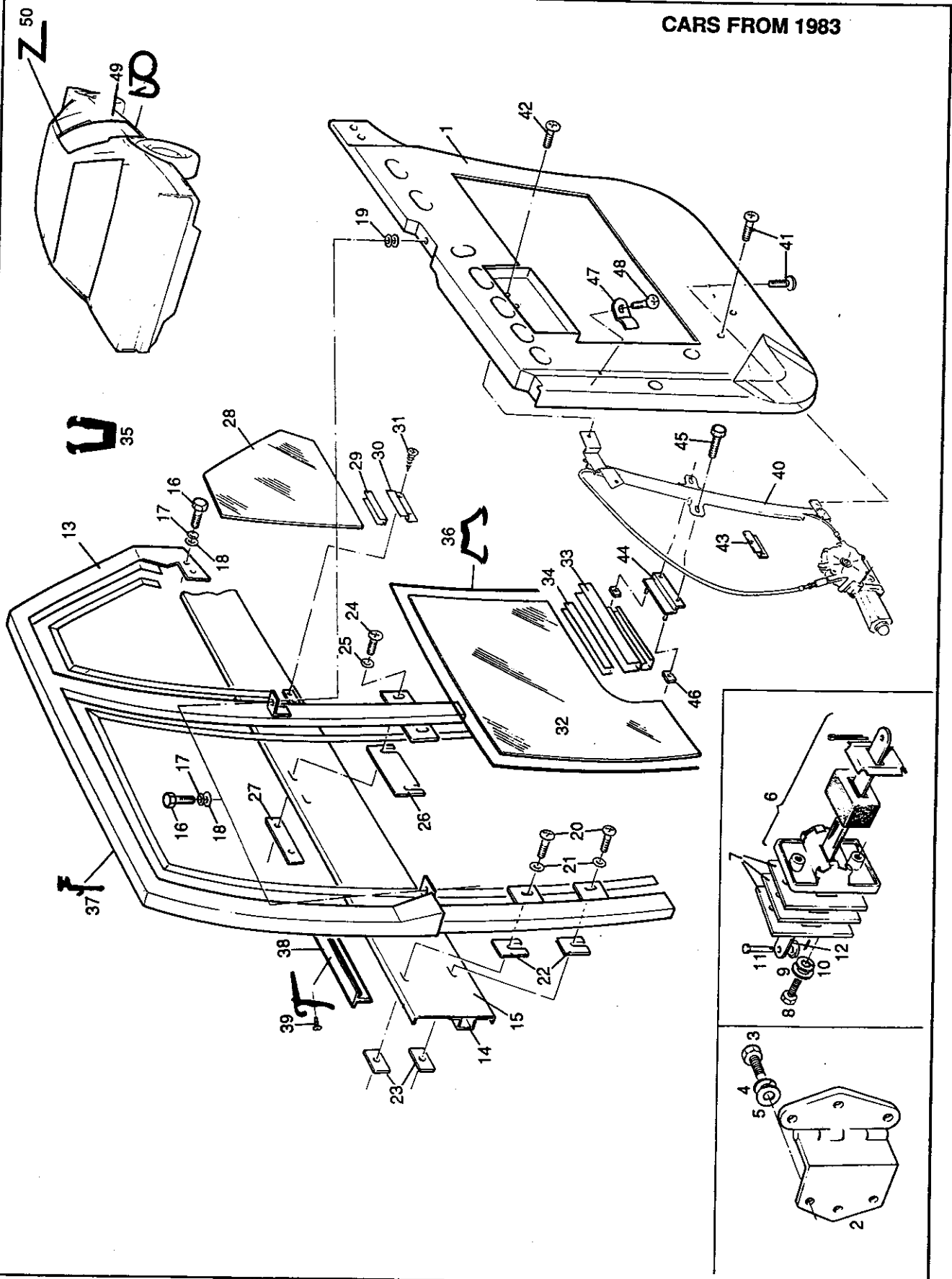
Illus No.	Part Number	Description	Qty	Remarks
-	66.18358	Door frame, RH	1	} Early cars
-	66.18359	Door frame, LH	1	
1	66.19755	Door frame, RH	1	} From chassis no.13333 approx. } For later window lift motors
-	66.19756	Door frame, LH	1	
-	66.23829	Door frame, RH	1	} From chassis no. } 13540
-	66.23830	Door frame, LH	1	
-	66.18352	Glass frame support bracket	2	} Part of door frames } Up to chassis no. 13539
-	66.14166	Frame reinforcement	2	
-	66.10583	Door skin, RH	1	} From chassis no. } 13540
-	66.10584	Door skin, LH	1	
-	66.23863	Door skin, RH	1	
-	66.23864	Door skin, LH	1	
2	66.12407	Door hinge, RH	2	
-	66.12406	Door hinge, LH	2	
-	66.14903	Packing, 0.75mm	as reqd	
-	66.14904	Packing, 1.5mm	as reqd	
-	692129	Screw, M8 x 25	12	} Hinge to door } Hinge to BC post
3	692544	Screw, M8 x 30	12	
-	694032	Screw, durloc, M8 x 30	12	} Hinge to BC post. Later cars } Hinge to door } and BC Post
4	692047	Washer, spring, M8	24	
5	692057	Washer, plain, M8	24	
6	66.11897	Door check link	2	
7	66.14943	Packing, 1.6 mm thick	as reqd	
-	66.14944	Packing, 3.2mm thick	as reqd	
8	692215	Screw, M5 x 20	4	
9	692065	Washer, shakeproof, M5	4	} Check link to door
10	122422	Washer, plain, 2 BA	4	
11	691469	Shear pin	2	} Check link } to post
12	692300	Fixer	2	
13	66.18364	Glass frame, RH	1	} From chassis no. } 13540
-	66.18365	Glass frame, LH	1	
-	66.24216	Glass frame, RH	1	
-	66.24217	Glass frame, LH	1	
-	66.16285	Seal retainer, LH	1	} Part of } door frames
-	66.16284	Seal retainer, RH	1	
14	66.18674	Intrusion rail, RH	1	
-	66.18675	Intrusion rail, LH	1	
15	66.18678	Intrusion plate assembly, RH	1	
-	66.18679	Intrusion plate assembly, LH	1	
16	692088	Screw, M6 x 16	8	
17	692066	Washer, shakeproof, M6	8	
18	124383	Washer, plain, 1/4 in.	8	
19	65.17081	Spacer, 2mm thick	as reqd	
-	65.17082	Spacer, 1.2mm thick	as reqd	
20	692296	Screw, M6 x 30, countersunk head	4	
21	124383	Washer, plain, 1/4 in.	4	
22	66.19150	Spacer, aluminium, 10G thick	as reqd	} Frame } fixings
-	66.19151	Spacer, aluminium, 16G thick	as reqd	
23	66.19140	Tapped plate, short	4	} Alternative
24	692794	Screw, M6 x 35, pan head	4	
-	692806	Screw, M6 x 50	4	
25	124383	Washer, plain, 1/4 in.	4	
26	66.19152	Spacer, aluminium, 10G thick	as reqd	
-	66.19153	Spacer, aluminium, 16G thick	as reqd	
27	66.19139	Tapped plate, long	2	

# CHASSIS AND BODY

Body - Doors  
Rear Doors



CARS FROM 1983





## CHASSIS AND BODY

Body - Doors  
Rear Doors  
Cars from 1983

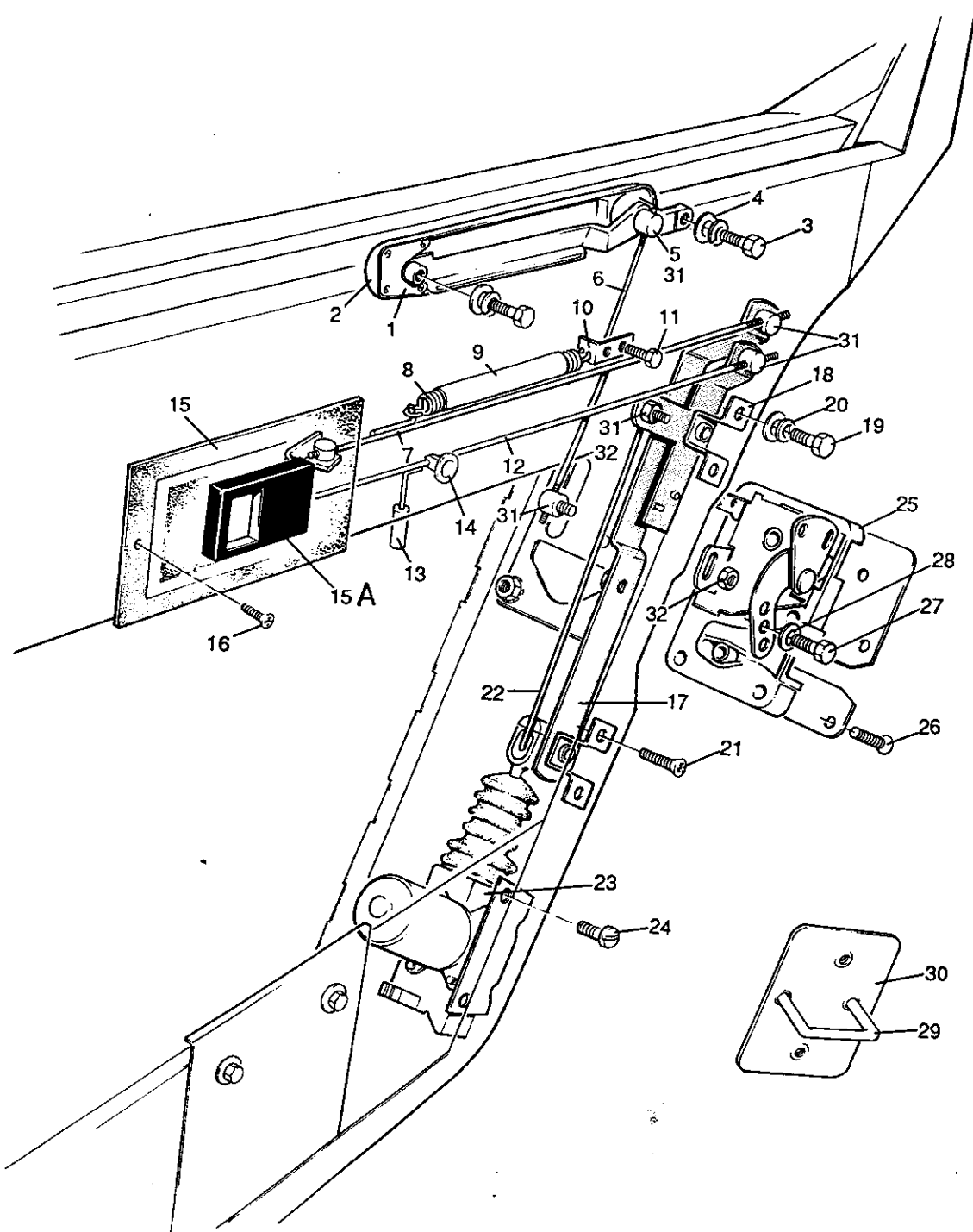
Illus No.	Part Number	Description	Qty	Remarks
-	66.15085	Retainer plate	2	} Frame fixings (Continued)
-	110859	Pop rivet, 1/8 in. dia.	10	
-	653.000.0606	Screw, No 6 x 3/4 in.	2	
28	76.18346	Quarterlight glass, RH	1	} From chassis no. } 13540
-	76.18347	Quarterlight glass, LH	1	
-	76.23946	Quarterlight glass, RH	1	
-	76.23947	Quarterlight glass, LH	1	
29	692518	Rubber strip, flat	2 ft.	
30	66.18384	Glass support	2	
31	691782	Screw, PK, No. 6 x 3/8 in.	4	Support to glass frame
32	76.18348	Door glass, RH	1	
-	76.18349	Door glass, LH	1	
33	66.18343	Door glass support channel, RH	1	
-	66.19141	Door glass support channel, LH	1	
34	692518	Rubber strip, flat	4ft	
35	77.19474	Rubber seal	17 ft	Glass
36	692114	Glass channel	as reqd	
37	692372	Rubber seal	16 ft	Frame. Up to chassis 13547
38	65.11313	Seal, outer, door waist	2	
39	110859	Pop rivet, 1/8 in. dia.	20	
-	069.077.0026	Seal, inner, door waist	as reqd	
-	65.11192	Window lift motor assembly, RH	1	} Up to chassis no. } 13332 approx.
-	65.11193	Window lift motor assembly, LH	1	
-	692041	Hank bush, M6	6	
-	66.18356	Support bracket	2	
-	692242	Screw, M5 x 12, Posidrive	4	} Motor assembly } to door
-	692038	Screw, M6 x 12, Posidrive.	10	
40	66.19706	Window lift motor assembly, RH	1	From chassis no.
-	66.19707	Window lift motor assembly, LH	1	13333 approx.
41	692038	Screw, M6 x 12, Posidrive	10	} Motor assembly } to door
42	692242	Screw, M5 x 12, Posidrive	4	
43	66.18556	Motor mounting bracket, RH	1	
-	66.18557	Motor mounting bracket, LH	1	
-	66.18340	Bracket, window lift	2	Up to chassis no.13332 approx.
44	66.19715	Bracket, window lift, RH	1	} From chassis no. } 13333, approx.
-	66.19716	Bracket, window lift, LH	1	
45	692088	Setscrew, M6 x 16	4	Bracket to window lift assembly
46	65.11317	Guide block	4	
47	66.18345	Clip	4	
-	690444	Nylon tube, 1/2 in. O.D.	as reqd	
48	692242	Screw, M5 x 12	4	Clip to door frame
49	77.14426	Door aperture seal, RH	1	
-	77.14427	Door aperture seal, LH	1	
-	693415	Adhesive, seal attach	as reqd	
-	66.14145	Finisher, door corner	2	
-	690278	Screw, No 4 x 1/2 in.	4	
-	66.15087	Finisher, rear, RH	1	
-	66.15088	Finisher, rear, LH	1	
-	110750	Screw, No. 4 x 1/2 in., countersunk	2	
-	692545	Screw, M6 x 20, Posidrive	2	
-	690386	Washer, plain, 1/4 in.	2	
-	78.11045	Exterior finisher, RH	1	} See also section 7.7A.1 } Up to chassis no.
-	78.11046	Exterior finisher, LH	1	
-	78.11234	Finisher clip	6	13539
50	77.26116	Seal, outer door frame aperture, 1.4 mtr. long	5	Stick-on. From chassis 13548

# CHASSIS AND BODY

Body - Doors  
Rear Door Lock Mechanism



CARS TO 1983





## CHASSIS AND BODY

Body - Doors  
Rear Door Lock Mechanism  
Cars to 1983

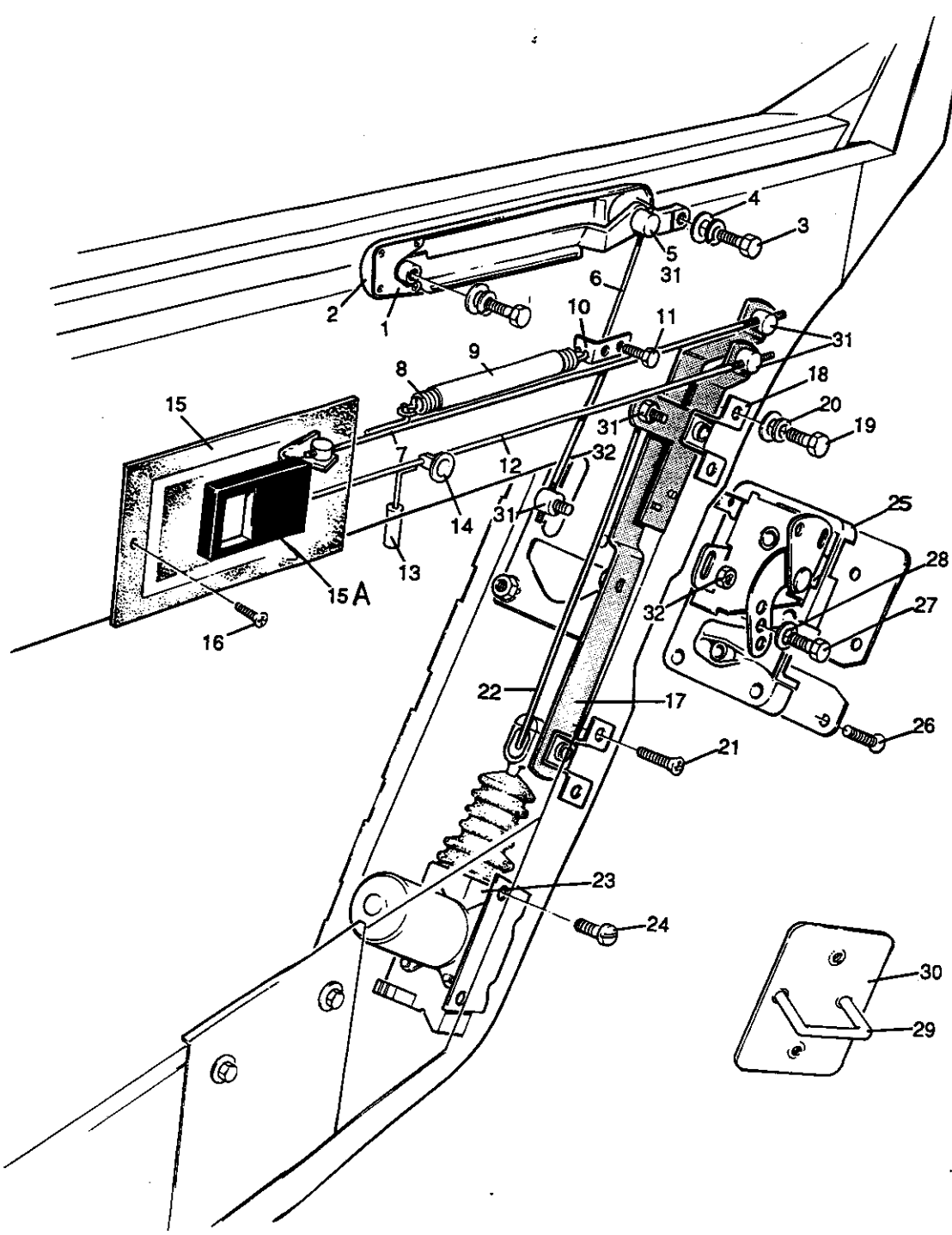
Illus No.	Part Number	Description	Qty	Remarks
1	65.11310	Exterior handle, RH	1	
-	65.11311	Exterior handle, LH	1	
2	65.12040	Gasket, RH	1	
-	65.12041	Gasket, LH	1	
3	692090	Screw, M5 x 12	4	
4	119496	Washer, plain, 3/16 in. ID	4	
5	65.14180	Trunnion bush	2	
6	66.13908	Link	2	Handle to lock
7	66.13909	Link, interior operating	2	Up to chassis no. 13143
-	66.16980	Link, interior operating	2	From chassis no. 13144
8	021.029.0139	Return spring	2	
9	121892	Sleeving	as reqd	
10	65.14450	Spring retainer	2	
11	692126	Screw, M4 x 8	4	
-	692064	Washer, shakeproof, M4	4	
-	692054	Washer, plain, M4	4	
12	66.13904	Link, interior locking, RH	1	Up to
-	66.13905	Link, interior locking, LH	1	chassis no. 13143
-	66.16982	Link, interior locking, RH/LH	2	From chassis no. 13144
13	65.12604	Link knob	2	
14	692343	Linkage clip	10	
15	65.13969	Interior handles	2	
-	691036	Tension pin	2	
15A	65.13917	Lever cover plate, RH	1	
-	65.13918	Lever cover plate, LH	1	
16	539.000.0808	Screw, No. 8 x 1 in., countersunk head	4	
-	80.12107	Wood trim, RH	1	
-	80.12108	Wood trim, LH	1	
17	66.13926	Long lever assembly, RH	1	
-	66.13927	Long lever assembly, LH	1	
18	66.13890	Short lever assembly, RH	1	
-	66.13891	Short lever assembly, LH	1	
19	692228	Screw, M4 x 10	4	Lever pivots to frame
20	692054	Washer, plain, M4	4	
21	692126	Screw, M4 x 8, countersunk head	4	
22	66.13906	Link, actuator, RH	1	Up to
-	66.13907	Link, actuator, LH	1	chassis no. 13143
-	66.16981	Link, actuator, RH/LH	2	From chassis no. 13144
23	37.11090	Actuator, RH	1	
-	37.11091	Actuator, LH	1	
-	690296	Hank bush, 4BA	4	Actuators to
24	110918	Screw, 4BA x 1/2 in.	4	door frame
25	069.065.0179	Door lock, RH	1	
-	069.065.0180	Door lock, LH	1	
26	691784	Screw, 1/4 in. UNF x 1 in., countersunk head	8	Door locks
27	690384	Screw, 2BA x 5/8 in.	2	to
28	119496	Washer, plain, 3/16 in. ID	6	lever
-	690484	Nut, Nyloc, 2BA	2	

# CHASSIS AND BODY

## Body - Doors Rear Door Lock Mechanism



CARS TO 1983





## CHASSIS AND BODY

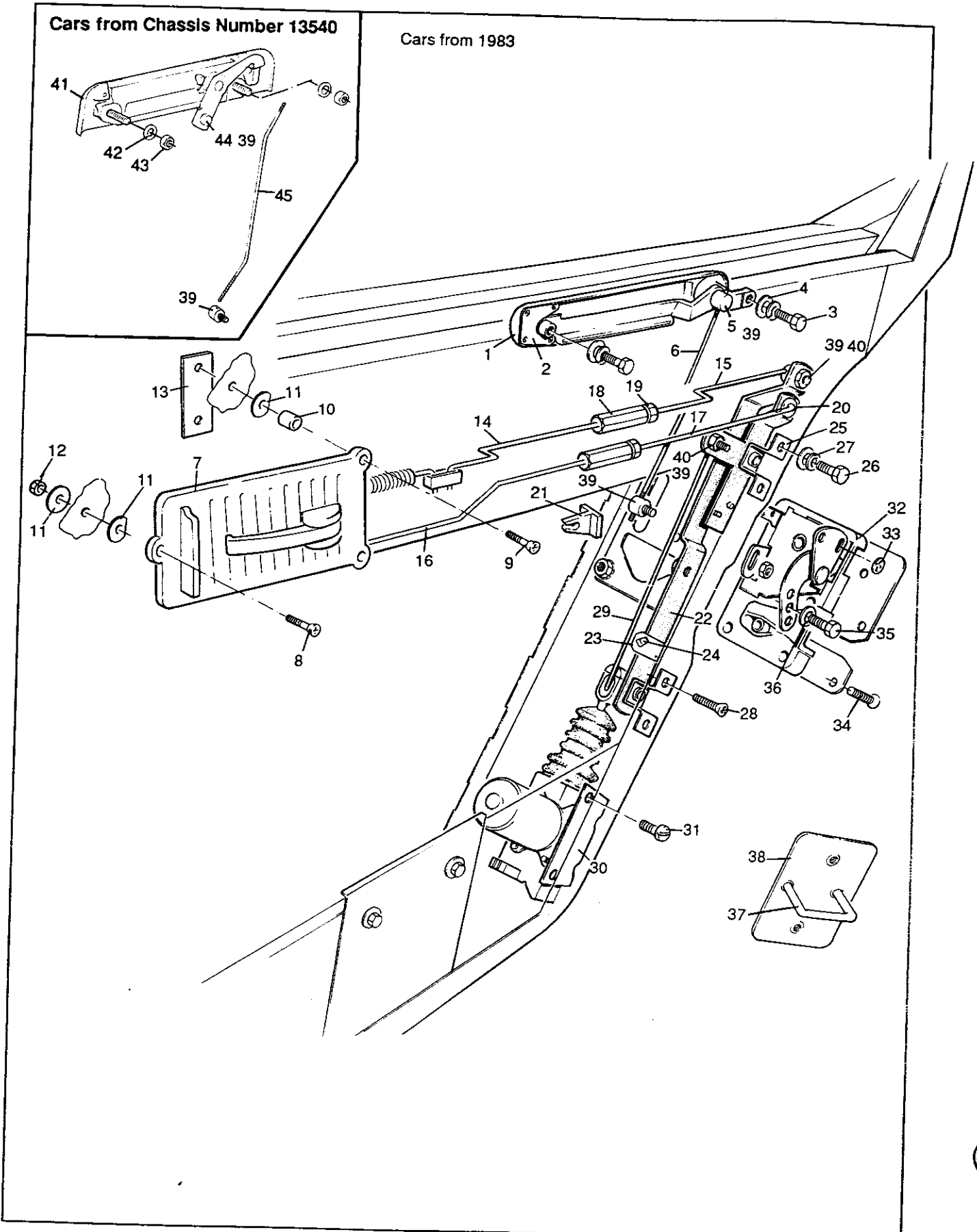
Body - Doors  
Rear Door Lock Mechanism  
Cars to 1983

Illus No.	Part Number	Description	Qty	Remarks
29	069.065.0199	Door lock striker	2	Extended reach from 1983 See also section 7.1
-	65.17870	Door lock striker	2	
-	77.14434	Cover, door lock striker, rear wheelarch	2	
30	069.080.0053	Finisher plate	2	
-	691783	Screw, 1/4 in. UNF x 1/2 in., countersunk head	4	
31	069.065.0213	Trunnion	18	
-	119496	Washer, plain, 3/16 in. ID	24	
32	690484	Nut, Nyloc, 2 BA	18	
-	069.099.0016	Linkage clip and bush	10	

# CHASSIS AND BODY

Body - Doors

Rear Doors - Lock Mechanism







## CHASSIS AND BODY

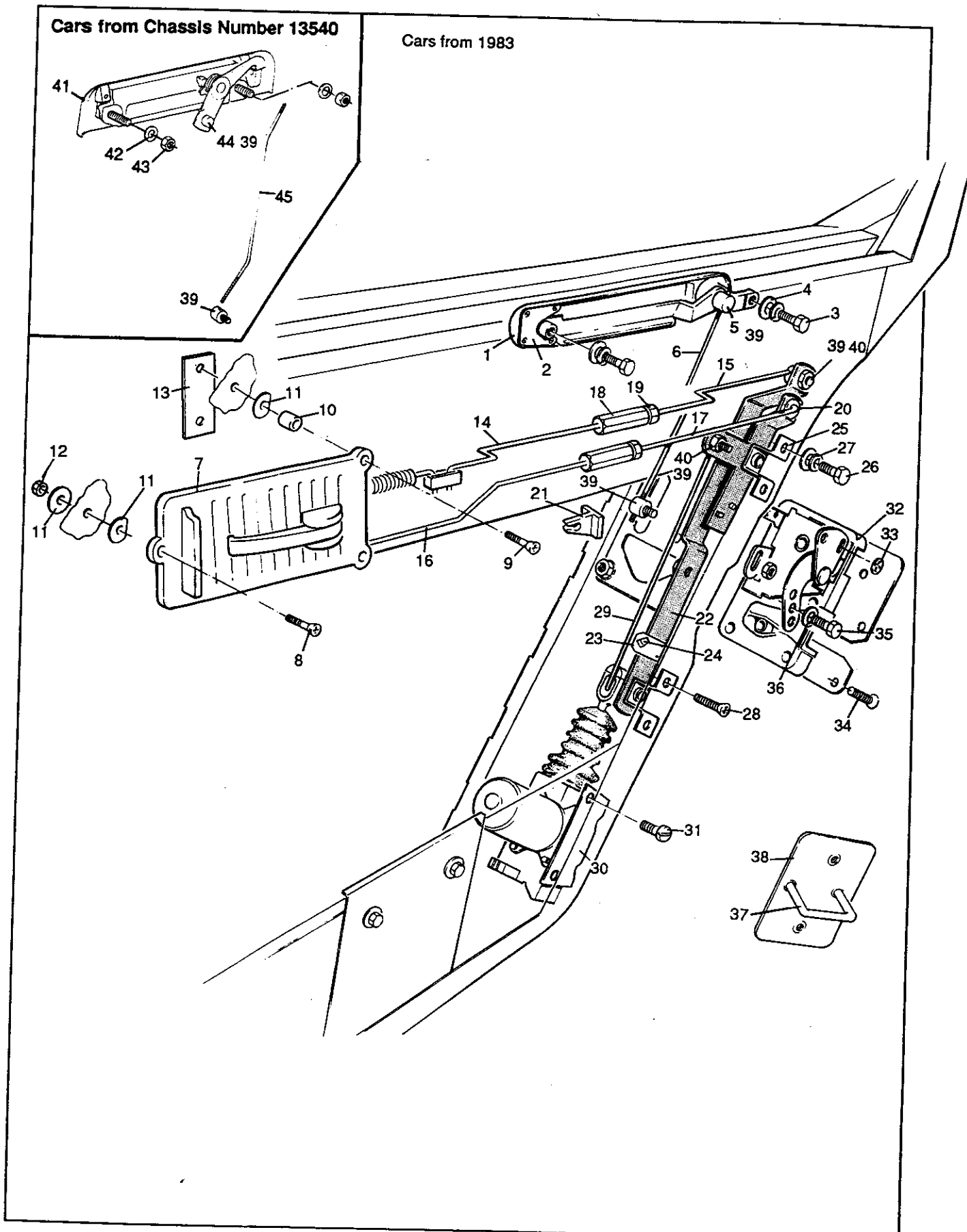
 Body - Doors  
 Rear Door Lock Mechanism  
 Cars from 1983

Illus No.	Part Number	Description	Qty	Remarks
1	65.11310	Exterior handle, RH	1	} Cars up to chassis no. 13539
-	65.11311	Exterior handle, LH	1	
2	65.12040	Gasket, RH	1	
-	65.12041	Gasket, LH	4	
3	692090	Screw, M5 x 12	4	
4	119496	Washer, plain, 3/16 in. ID	2	
5	65.14180	Trunnion bush	2	} Handle to lock. } Cars to chassis no. 13539
6	66.13908	Link	1	
-	069.065.0244	Interior handle, RH	1	} Up to chassis no. 13299 approx. (Dec. 1983)
-	069.065.0245	Interior handle, LH	1	
7	65.19377	Interior handle, RH	1	} From chassis no. 13300 approx. Cut-out at top of locking lever.
-	65.19378	Interior handle, LH	1	
8	692296	Screw, M6 x 30, countersunk head	2	} Door handle fixings
9	692766	Screw, M6 x 35, countersunk head	4	
-	690292	Spacer washer, special, 1/4 in. ID.      Early cars	2	
10	66.18596	Spacer	4	
11	66.18594	Washer, special	8	
12	692151	Nut, Nyloc, M6	2	
13	66.18585	Bracket	2	
-	87.18374	Wood trim, RH	1	
-	87.18375	Wood trim, LH	1	
-	87.26036	Wood trim, RH	1	
-	87.26037	Wood trim, LH	1	
14	66.18578	Link, interior handle to adjuster, RH	1	
-	66.18579	Link, interior handle to adjuster, LH	1	
15	66.18580	Link, adjuster to long lever	2	
16	66.18577	Link, interior handle to adjuster	2	
17	66.18573	Link, adjuster to short lever	2	
18	65.18576	Adjuster	4	
19	691618	Nut, No. 6 UNF, adjuster locking	4	
20	069.099.0016	Linkage clip	2	
21	692343	Linkage clip	4	
22	66.13926	Long lever assembly, RH	1	
-	66.13927	Long lever assembly, LH	1	
23	66.19399	Plate, linkage clip mounting	2	
-	581.000.0235	Pop rivet, 1/8 in. dia.	4	
24	692343	Linkage clip	2	
25	66.13890	Short lever assembly, RH	1	
-	66.13891	Short lever assembly, LH	1	
26	692228	Screw, M4 x 10	4	
27	692054	Washer, plain, M4	4	
28	692126	Screw, M4 x 8, countersunk head	4	
29	66.16981	Link, actuator, RH/LH	2	
30	37.11090	Actuator, RH	1	
-	37.11091	Actuator, LH	1	
-	690296	Hank bush, 4BA	4	
31	110918	Screw, 4BA x 1/2 in.	4	
32	069.065.0179	Door lock, RH	1	
-	069.065.0180	Door lock, LH	1	

# CHASSIS AND BODY

## Body - Doors

### Rear Doors - Lock Mechanism





## CHASSIS AND BODY

 Body - Doors  
 Rear Door Lock Mechanism  
 Cars from 1983

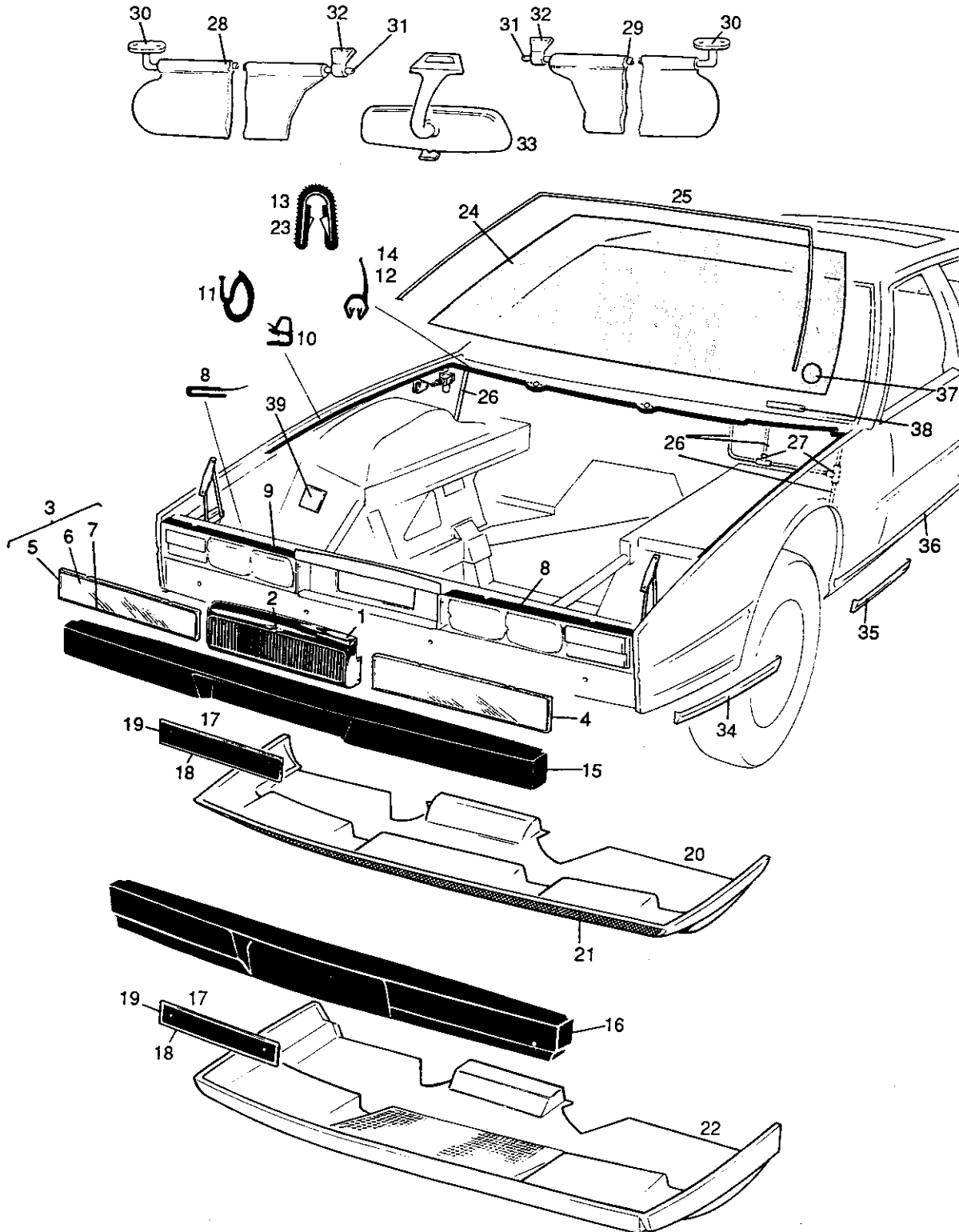
Illus No.	Part Number	Description	Qty	Remarks
33	691091	Spire fastener	2	
34	691784	Screw, 1/4 in. UNF x 1 in., countersunk head	8	
-	692195	Screw, M6 x 25, countersunk head	8	Cars from chassis no. 13540
35	690384	Screw, 2BA x 5/8 in.	2	} Door locks to lever
36	119496	Washer, plain, 3/16 in. ID	6	
-	690484	Nut, Nyloc, 2BA	2	
37	069.065.0199	Door lock striker	2	Extended reach from 1983 See also section 7.1
-	65.17870	Door lock striker	2	
-	77.14434	Cover, door lock striker, rear wheelarch	2	
38	069.080.0053	Finisher plate	4	
-	691783	Screw, 1/4 in. UNF x 1/2 in., countersunk head	18	
39	069.065.0213	Trunnion	24	
-	119496	Washer, plain, 3/16 in. ID	18	
40	690484	Nut, Nyloc, 2 BA	10	
-	069.099.0016	Linkage clip and bush	1	
41	78.24033	Exterior handle, RH	1	
-	78.24034	Exterior handle, LH	4	
42	693809	Fibre washer	4	
43	693983	Nut, thin, Nyloc, M6	2	} Cars from chassis no. 13540
44	65.14180	Trunnion bush	2	
-	122422	Washer, plain, 2 BA	2	
-	690217	Washer, wavy, 5/16 in.	2	
45	66.24155	Link	2	Handle to lock

# CHASSIS AND BODY

## Body - Front



Cars to 1988





## CHASSIS AND BODY

Body - Front  
Cars to 1988

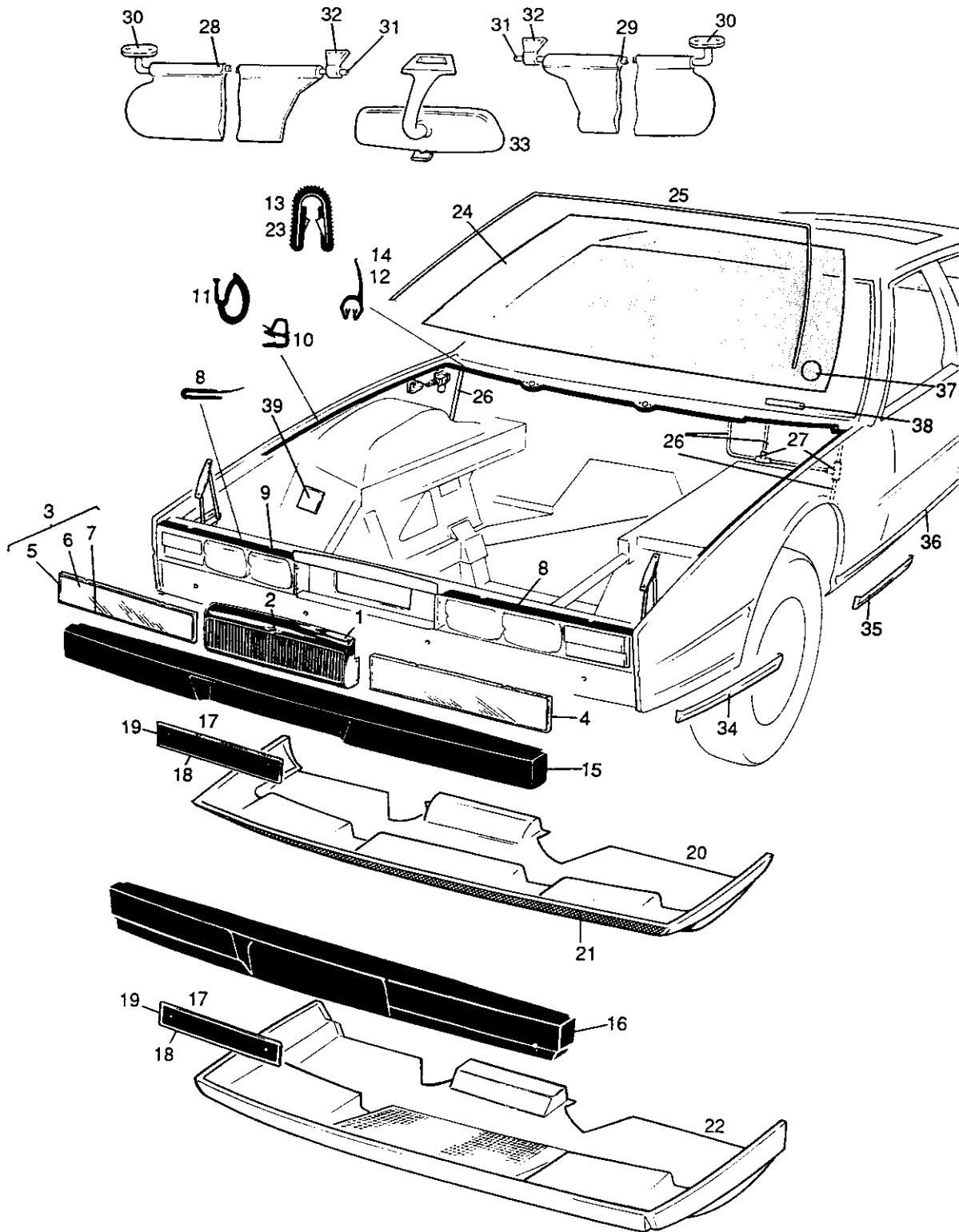
Illus No.	Part Number	Description	Qty	Remarks
1	71.11459	Radiator grille	1	
-	71.19846	Radiator grille	1	From chassis no. 13338, and 13331/6. Jan.1984
-	691782	Screw, PK, No 6 x 3/8 in.	4	} Grille attach
-	692211	'Lokut' nut	4	
2	71.10977	Grille badge, with "Aston Martin"	1	
-	690484	Nut, Nyloc, 2BA	2	} From chassis no. 13338, and 13331/6. Jan.1984
-	71.19335	Grille badge	1	
-	692800	Nut, Nyloc, M5	2	
3	78.11461	Frame and glass assembly, RH	1	
4	78.19120	Frame and glass assembly, LH	1	
5	78.11325	Frame	1	} Per frame assembly
6	76.10800	Heated glass	1	
7	693154	Sealer	as reqd	
-	693155	Primer	as reqd	
-	691782	Screw, PK, No 6 x 3/8 in.	4	
-	692256	Screw, No 4 x 3/8 in.	6	
8	692264	Seal	4 ft	
9	692257	Grommet	4	
10	692370	Seal, bonnet aperture, side	8 ft	
11	069.077.0038	Seal, bonnet aperture, side	8 ft	Later cars from 1985
12	692369	Seal, bonnet aperture, rear	6 ft	
13	77.14017	Seal, bonnet aperture, rear	6 ft	} Cars with square-tubed wiper arms
14	692369	Seal, bonnet frame, rear	6 ft	
15	72.10002	Front bumper	1	
16	72.17804	Front bumper	1	USA cars; and all cars from chassis no. 13284. (1983)
-	692004	Sealer	as reqd	Bumper to under valance
-	72.14603	Stud, bumper mounting	4	} Bumper fixings
-	692047	Washer, spring, M8	4	
-	692057	Washer, plain, M8	4	
-	692077	Nut, M8	4	
17	72.11018	Number plate surround, upper	1	} Not fitted on USA cars
18	72.11019	Number plate surround, lower	1	
-	580.000.2820	Pop rivet, 1/8 in.	2	
19	72.11017	Number plate backing plate	1	} Backing plate to bumper
-	692195	Screw, M6 x 25, countersunk head	2	
-	78.11005	Front under valance	1	
-	78.14542	Grille, main	1	
-	78.14543	Grille, front centre	1	
-	78.14544	Grille, side, RH	1	
-	78.14545	Grille, side, LH	1	
-	692242	Screw, M5 x 12	17	} Grilles to under-valance
-	122422	Washer, plain, 2BA	34	
-	692065	Washer, shakeproof, M5	17	} Early cars
-	692075	Nut, M5	17	
-	692472	'Bighead' fixing, M5 x 20	8	} Under-valance to body
-	692509	Pop rivet, 5/32 in. dia.	16	
-	690257	Washer, plain, 3/16 in. ID	8	
-	692065	Washer, shakeproof, M5	8	
-	692075	Nut, M5	8	
-	653.000.0606	Screw, PK. No 6 x 1 in.	2	

# CHASSIS AND BODY

## Body - Front



Cars to 1988





**CHASSIS AND BODY**

**Body - Front  
Cars to 1988**

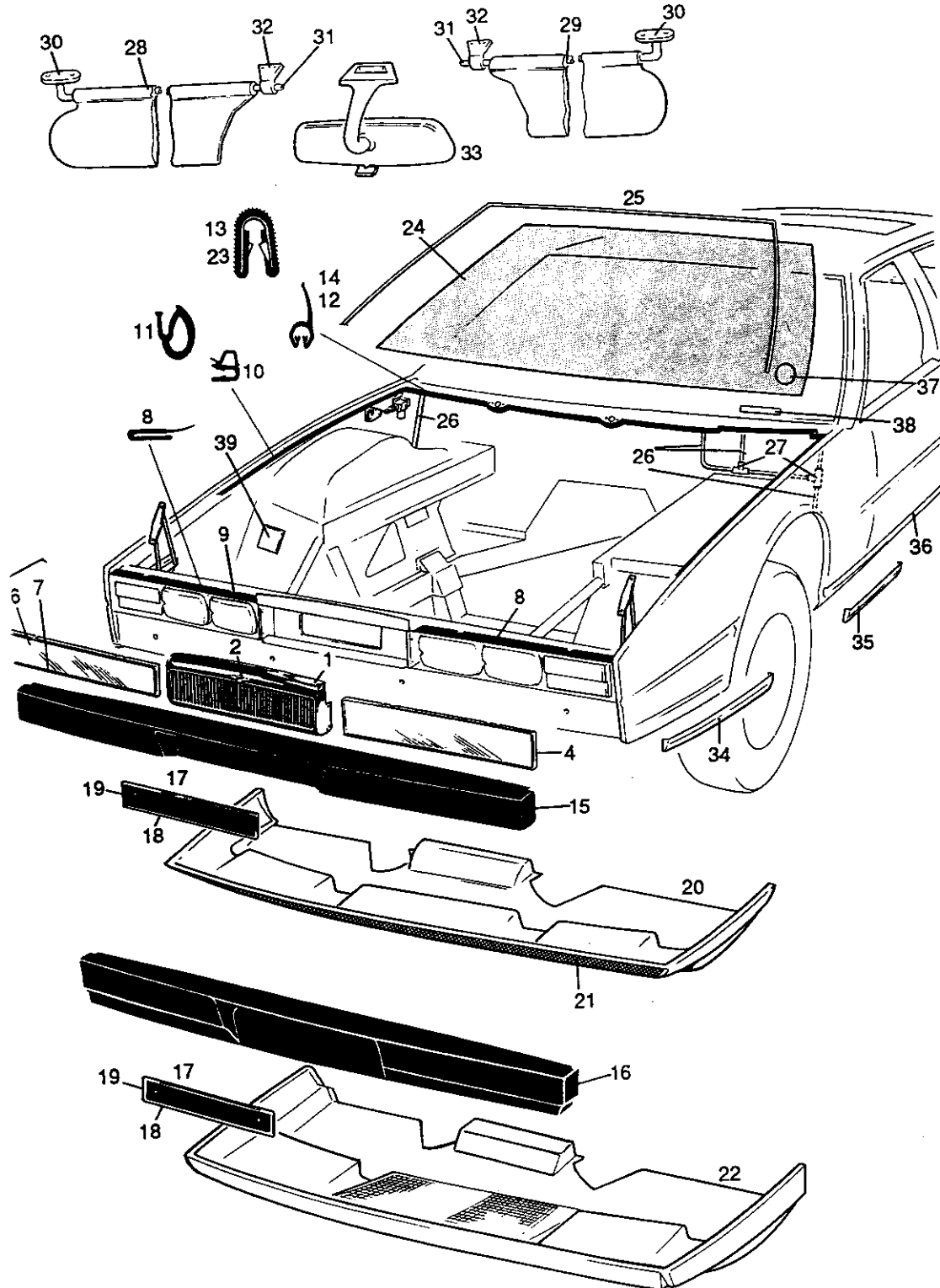
Illus No.	Part Number	Description	Qty	Remarks
20	78.16571	Front under valance		
21	78.16570	Grille	1	
-	690257	Washer, plain, 3/16 in. ID	1	
-	692065	Washer, shakeproof, M5	7	} Grille to
-	692075	Nut, M5	7	
-	692472	'Bighead' fixing, M5 x 20	7	
-	111732	Screw, 2BA x 1/2 in.	8	} under-valance
-	591.000.0403	Washer, shakeproof, 2BA	16	} Fixing to
-	111109	Nut, 2BA	16	
-	690257	Washer, plain, 3/16 in. ID	16	} under-valance
-	692065	Washer, shakeproof, M5	8	} Under-valance to
-	692075	Nut, M5	8	
-	627.000.0804	Screw, No 8 x 1/2 in.	8	} body
-	692011	Screw, No 10 x 3/4 in.	9	} Under-valance
22	78.17852	Front under valance	2	} to chassis
-	692472	'Bighead' fixing, M5 x 20	1	
-	111732	Screw, 2BA x 1/2 in.	8	
-	591.000.0403	Washer, shakeproof, 2BA	16	} Fixing to
-	111109	Nut, 2BA	16	
-	690257	Washer, plain, 3/16 in. ID	16	} under-valance
-	692065	Washer, shakeproof, M5	8	} Under-valance to
-	692075	Nut, M5	8	
-	627.000.0804	Screw, No 8 x 1/2 in.	8	} body
-	692011	Screw, No 10 x 3/4 in.	9	} Under-valance
-	19.16971	Exterior temperature sender bracket	2	} to chassis
-	38.17838	Exterior temperature sender bracket	1	
-	88.12114	Shield, oil filter	1	USA cars
23	77.14017	Seal, shield edge protector	1	
-	692087	Bolt, M8 x 20	1 mtr	
-	692047	Washer, spring, M8	4	} Shield to chassis
-	692057	Washer, plain, M8	4	
24	76.10510	Windscreen	4	
-	76.17005	Windscreen, with shadeband	1	
-	76.25614	Windscreen, with shadeband	1	Later cars
-	693154	Sealer	1	For stick-on rear view mirror
-	693155	Primer	as reqd	
25	692366	Windscreen finisher, in strips	as reqd	
-	78.15575	Windscreen finisher trimmed, unpainted	12ft	Cut to suit car
-	78.15574	Windscreen finisher trimmed, painted	1	} Use part number: 692366
26	691951	Windscreen drain tube	1	
27	692789	Tee piece	8 ft	
-	114679	Hose clip, 16 - 25 mm	1	2 used from 1985
-	020.037.0182	Grommet	5	9 used from 1985
28	80.15589	Sunvisor, trimmed, RH	2	Tube through wheelarch
29	80.15590	Sunvisor, trimmed, LH	1	RHD
-	80.18401	Sunvisor, trimmed, LH, with mirror	1	RHD
-	80.15589	Sunvisor, trimmed, RH	1	RHD. From 1983
-	80.18400	Sunvisor, trimmed, RH, with mirror	1	LHD
-	80.15590	Sunvisor, trimmed, LH	1	LHD. From 1983
-	-	Sunvisor frame	1	LHD
-	80.18537	Sunvisor mirror, passenger's side	2	
30	80.15305	Sunvisor fixing bar	1	Self adhesive. From 1983
31	80.15306	Sunvisor end bar	2	
-	643.000.0316	Screw, No. 10 UNF x 1 in.	2	
			4	Sunvisor to body

# CHASSIS AND BODY

Body Front



Cars to 1988







**CHASSIS AND BODY**

**Body - Front  
Cars to 1988**

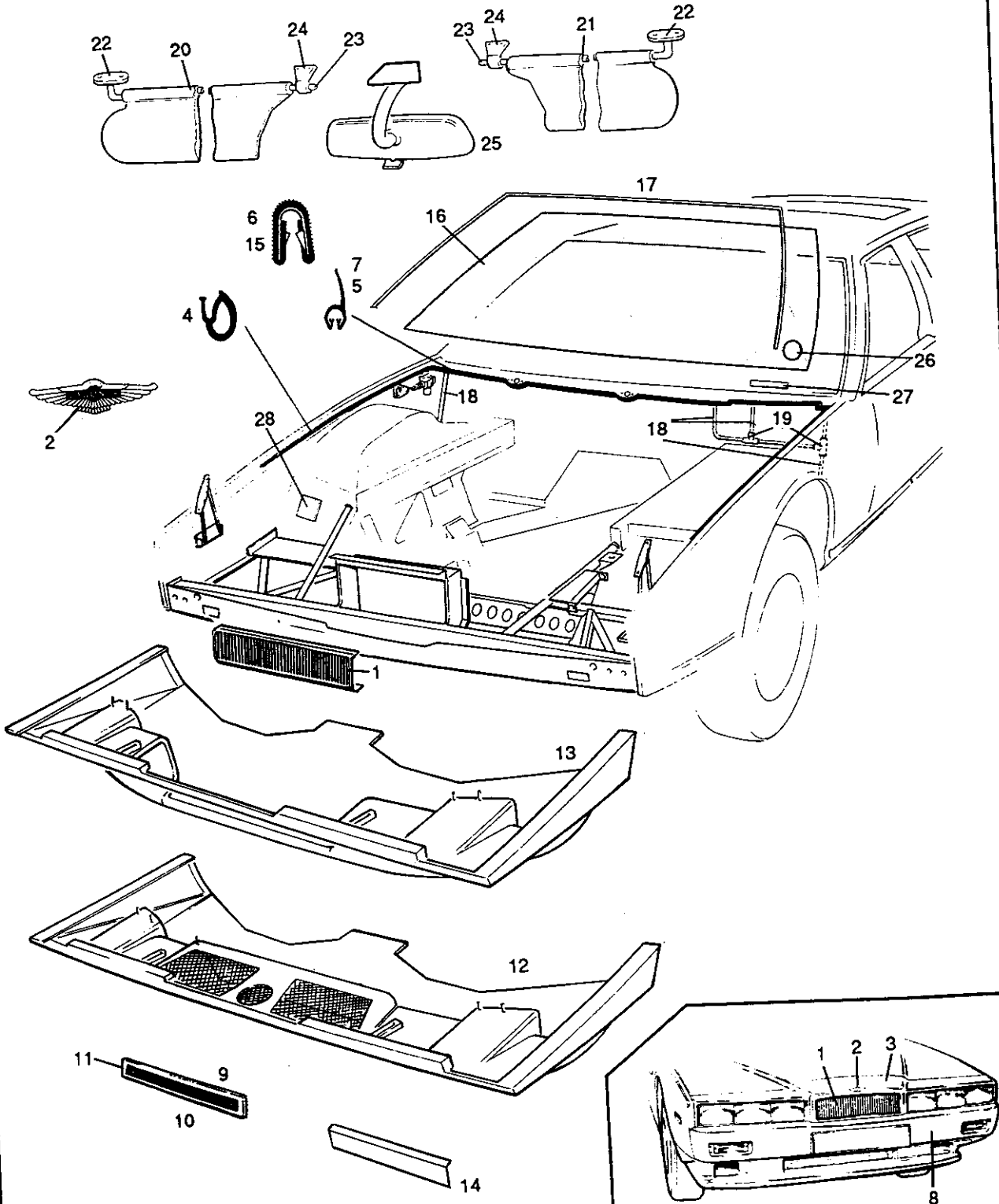
Illus No.	Part Number	Description	Qty	Remarks
32	069.080.0007	Clip, sunvisor retaining	2	From mid 1987 Ring type. From chassis no. 13575. October 1988 Clip to body
-	80.24214	Clip, sunvisor retaining	2	
-	80.26204	Clip, sunvisor retaining	2	
-	122289	Screw, No. 6 x 1/2 in.	4	From mid 1987
33	095.080.0023	Rear-view mirror	1	
-	112157	Screw, 4BA x 1/2 in.	3	
-	80.24065	Rear-view mirror, self adhesive	1	
-	80.26336	Round marker	1	
-	80.26337	Adhesive pad	1	
-	78.11039	Finisher, front wing, front RH	1	
34	78.11040	Finisher, front wing, front LH	1	
-	78.11041	Finisher, front wing, rear RH	1	
35	78.11042	Finisher, front wing, rear LH	1	
-	78.11234	Finisher clip	10	3 per front finisher, 2 per rear finisher 4 per finisher 1 per finisher
-	692317	Rivet, 1/8 in. dia.	16	
-	692497	Screw, No. 6 x 3/8 in.	4	
-	78.11043	Finisher, front door, RH	1	
36	78.11044	Finisher, front door, LH	1	
-	78.11045	Finisher, rear door, RH	1	
-	78.11046	Finisher, rear door, LH	1	
-	78.11234	Finisher clip	10	
-	692451	Captive stud, M4 x 16	10	
-	692054	Washer, plain, M4	10	
-	692064	Washer, shakeproof, M4	10	
-	692074	Nut, M4	10	
-	78.11035	Finisher, rear wing, front RH	1	
-	78.11036	Finisher, rear wing, front LH	1	
-	692497	Screw, No. 6 x 3/8 in.	4	
-	78.11037	Finisher, rear wing, rear RH	1	
-	78.11038	Finisher, rear wing, rear LH	1	
-	78.11234	Finisher clip	6	
-	692317	Rivet, 1/8 in. dia.	8	
-	692497	Screw, No. 6 x 3/8 in.	2	
37	030.010.0023	Road tax disc holder, plastic	1	USA cars Early cars
-	695395	Road tax disc holder, magnetic	1	
38	97.16226	Facia top chassis plate, 17 letter	1	From chassis no. 13294 From 1985 From December 1985 French cars Plate to wheelarch
-	030.010.0021	Chassis plate	1	
39	97.15564	V.I.N. plate, engine V580, 2459 KG	1	
-	97.18414	V.I.N. plate, engine V580, 2522 KG	1	
-	97.21084	V.I.N. plate, NTA 003002, 2522 KG	1	
-	97.22001	V.I.N. plate, NTA 00302, 2522 KG	1	
-	97.21283	V.I.N. plate, DLOIS, 2522 KG	1	
-	110859	Pop rivet, 1/8 in. x 5/16 in.	4	

CHASSIS AND BODY

Body - Front



Cars from 1988





## CHASSIS AND BODY

Body - Front  
Cars from 1988

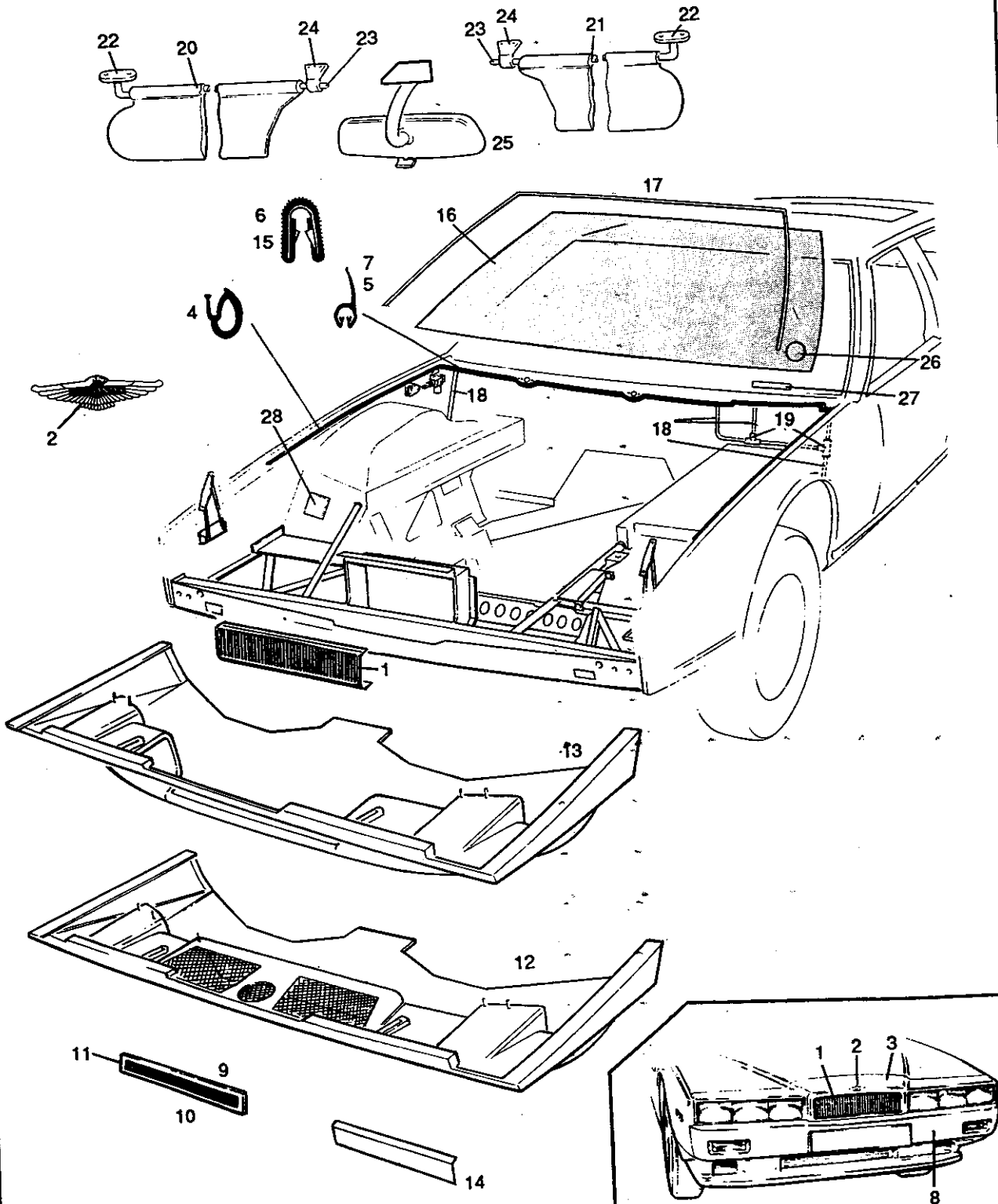
Illus No.	Part Number	Description	Qty	Remarks
1	71.23411	Radiator grille	1	
2	71.19335	Nose badge	1	
-	692800	Nut, Nyloc, M5	2	
3	71.22471	Nose moulding (GRP)	1	
-	692055	Washer, plain, M5	6	} Nose moulding fixings
-	692406	Screw, M5 x 12	6	
-	71.22328	Headlamps mounting plate assembly, RH	1	} See also section 6.2B.2
-	71.22327	Headlamps mounting plate assembly, LH	1	
-	693466	Adhesive, mounting plates to nose moulding	as reqd	
4	069.077.0038	Seal, bonnet aperture, side	8 ft	
5	692369	Seal, bonnet aperture, rear	6 ft	
6	77.14017	Seal, bonnet aperture, rear	6 ft	
7	692369	Seal, bonnet frame, rear	6 ft	
8	72.23431	Front bumper	1	
-	-	Bumper end finishers - bumper to body	2	} Certain cars. Make as required
-	692004	Sealer	as reqd	
-	72.23635	Stud, bumper mounting	4	} Bumper fixings
-	692047	Washer, spring, M8	4	
-	692057	Washer, plain, M8	4	
-	692135	Nut, Nyloc, M8	4	
9	72.11018	Number plate surround, upper	1	} Not fitted on USA cars
10	72.11019	Number plate surround, lower	1	
-	580.000.2820	Pop rivet, 1/8 in.	2	
11	72.11017	Number plate backing plate	1	
-	692195	Screw, M6 x 25, countersunk head	2	} Backing plate to bumper
12	78.26207	Front under valance, with grilles	1	
13	78.26386	Front under valance	1	} Later cars with single radiator fan
-	692005	Screw, M5 x 16	9	
-	693793	Washer, plain, M5	12	} Front under valance attach
-	692055	Washer, plain, M5	10	
-	692800	Nut, Nyloc, M5	10	
-	692635	Screw, M5 x 10	2	
-	693068	Rubber seal	2 mtr	
14	78.26436	Plate, air deflector	1	} Deflects air onto oil cooler
-	88.12114	Shield, oil filter	1	
-	88.25751	Shield, oil filter	1	} Early cars
-	069.064.0050	Spacer	1	
-	77.14017	Seal, shield edge protector	1	} Later cars from November 1987
15	692087	Bolt, M8 x 20	1 mtr	
-	692047	Washer, spring, M8	4	} Shield to chassis
-	692057	Washer, plain, M8	4	
16	76.17005	Windscreen, with shadeband	4	
-	76.25614	Windscreen, with shadeband	1	
-	693154	Sealer	1	} For stick-on rear view mirror
-	693155	Primer	as reqd	
17	692366	Windscreen finisher, in strips	as reqd	
-	78.15575	Windscreen finisher trimmed, unpainted	12ft	} Cut to suit car
-	78.15574	Windscreen finisher trimmed, painted	1	
			1	} Use part number: 692366

# CHASSIS AND BODY

## Body - Front



Cars from 1988





## CHASSIS AND BODY

Body - Front  
Cars from 1988

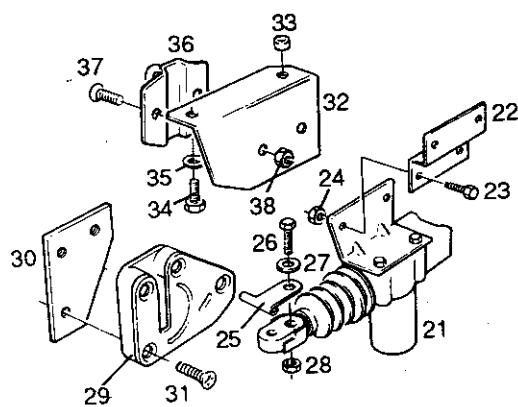
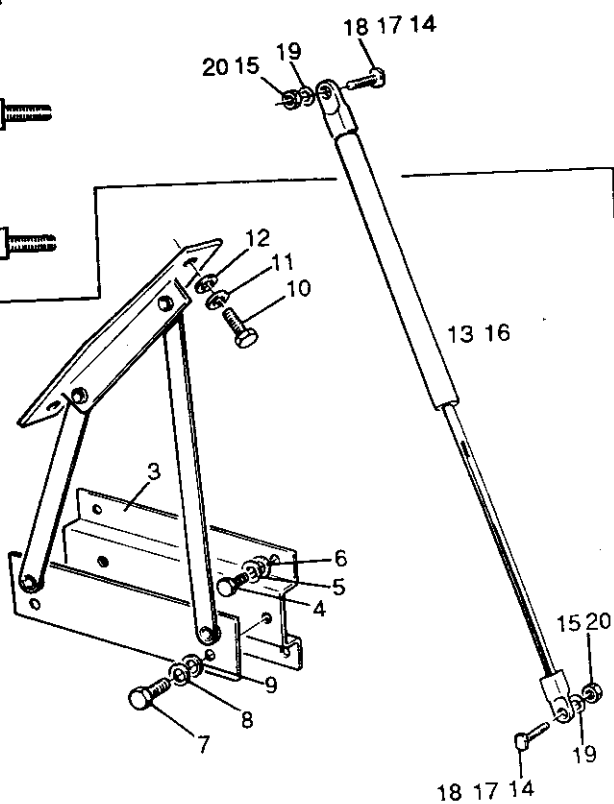
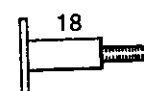
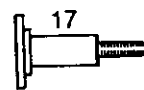
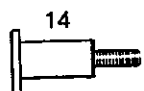
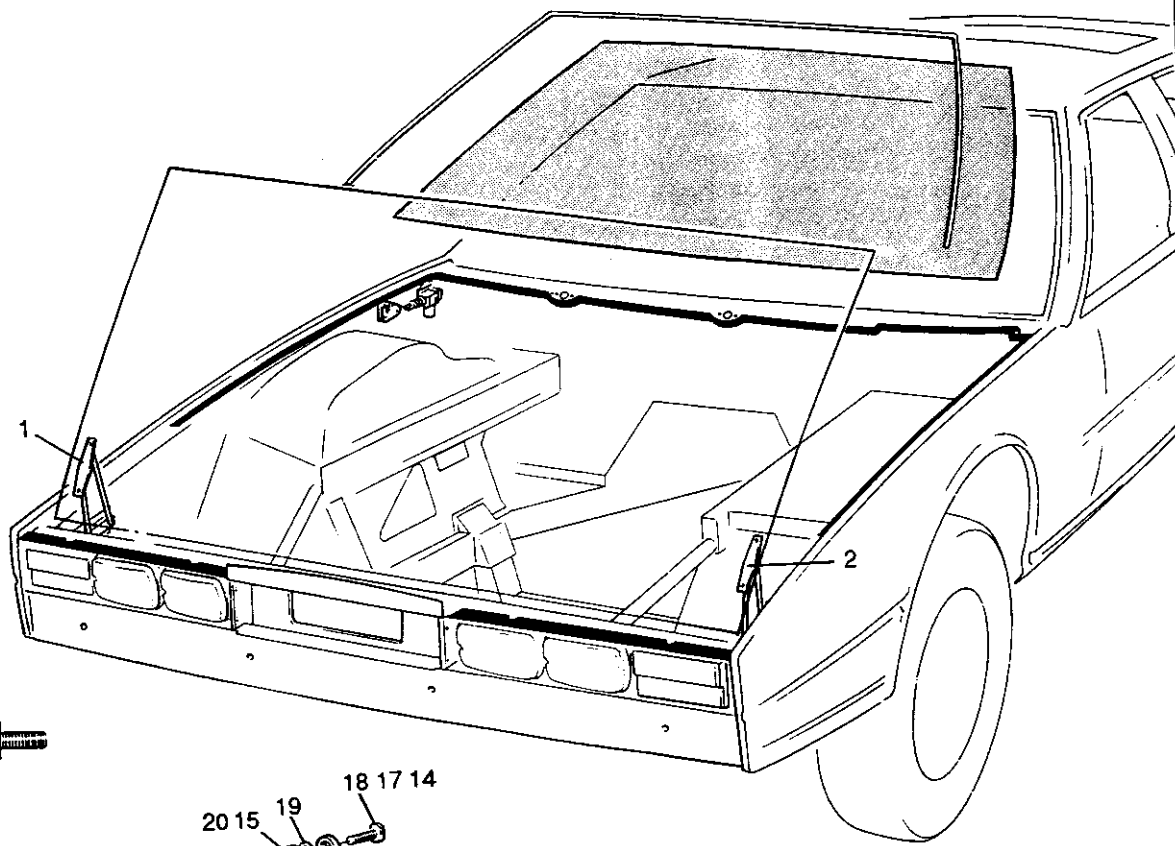
Illus No.	Part Number	Description	Qty	Remarks
18	691951	Windscreen drain tube	8 ft	
19	692789	Tee piece	2	
-	114679	Hose clip, 16 - 25 mm	9	
-	020.037.0182	Grommet	2	Tube through wheelarch
20	80.15589	Sunvisor, trimmed, RH	1	RHD } Advise trim
21	80.18401	Sunvisor, trimmed, LH, with mirror	1	RHD } colour
-	80.18400	Sunvisor, trimmed, RH, with mirror	1	LHD } required when
-	80.15590	Sunvisor, trimmed, LH	1	LHD } ordering
-	-	Sunvisor frame	2	
-	80.18537	Sunvisor mirror, passenger's side	1	Self adhesive
22	80.15305	Sunvisor fixing bar	2	
23	80.15306	Sunvisor end bar	2	
-	643.000.0316	Screw, No. 10 UNF x 1 in.	4	Sunvisor to body
24	069.080.0007	Clip, sunvisor retaining	2	
-	80.24214	Clip, sunvisor retaining	2	From mid 1987
-	80.26204	Clip, sunvisor retaining	2	Ring type. From chassis no. 13575. October 1988
-	122289	Screw, No. 6 x 1/2 in.	4	Clip to body
-	095.080.0023	Rear-view mirror	1	Early cars. See section 7.5A
-	112157	Screw, 4BA x 1/2 in.	3	Mirror to body
25	80.24065	Rear-view mirror, self adhesive	1	
-	80.26336	Round marker	1	} From mid 1987
-	80.26337	Adhesive pad	1	
26	030.010.0023	Road tax disc holder, plastic	1	
-	695395	Road tax disc holder, magnetic	1	
27	97.16226	Facia top chassis plate, 17 letter	1	USA cars
28	97.22001	V.I.N. plate, NTA 00302, 2522 KG	1	
-	97.21283	V.I.N. plate, DLOIS, 2522 KG	1	French cars
-	110859	Pop rivet, 1/8 in. x 5/16 in.	4	Plate to wheelarch

# CHASSIS AND BODY

## Body - Bonnet



Cars to 1988





## CHASSIS AND BODY

Body - Bonnet  
Cars to 1988

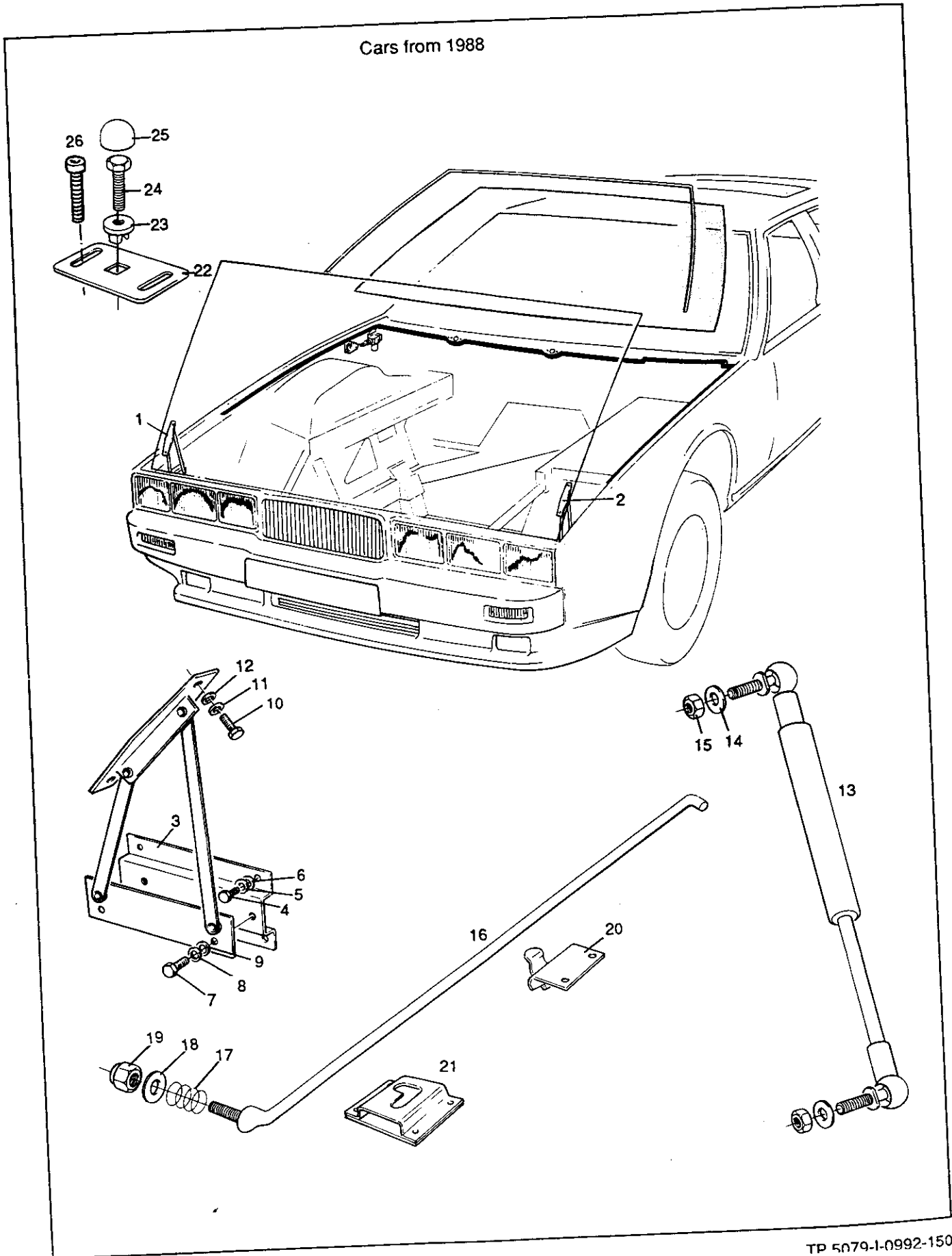
Illus No.	Part Number	Description	Qty	Remarks
1	64.10144	Bonnet hinge, RH	1	
2	64.10145	Bonnet hinge, LH	1	
3	64.10152	Hinge mounting bracket	2	
4	692089	Screw, M8 x 16	8	} Mounting brackets to
5	692047	Washer, spring, M8	8	
6	692057	Washer, plain, M8	8	} valances
7	692213	Screw, M8 x 12	4	
8	692047	Washer, spring, M8	4	} Hinges to
9	692057	Washer, plain, M8	4	
10	692087	Screw, M8 x 20	4	} mounting brackets
11	692067	Washer, shakeproof, M8	4	
12	692057	Washer, plain, M8	4	} Hinges to bonnet
13	64.10209	Gas strut, bonnet	2	
14	67.10083	Pivot bolt, 10 mm thick, M6 thread	4	} Early cars. Replace gas strut
-	692046	Washer, spring, M6	4	
15	692076	Nut, M6	4	} with later strut (use 2 per car), and use pivots to suit car
16	64.19661	Gas strut, bonnet	4	
-	64.19781	Gas strut, bonnet	2	
17	64.19477	Pivot bolt, 10 mm and 8 mm thick, M6 thread	2	} Cars with under-bonnet foam For use with later gas struts on cars with old type bonnet and wheelarch brackets
			4	
18	64.19478	Pivot bolt, 8 mm thick, M6 thread	4	} Later cars For use with later gas struts on cars with later type bonnet and wheelarch brackets
19	692056	Washer, plain, M6	4	
20	692151	Nut, Nyloc, M6	4	
21	37.11090	Actuator, bonnet lock, RH	1	
-	37.11091	Actuator, bonnet lock, LH	1	
-	37.13144	Plug, harness	2	
22	19.12071	Bracket, actuator	2	
-	627.000.0604	Screw, No 6 x 1/2 in.	4	} Bracket to body
23	110918	Screw, 4BA x 1/2 in.	4	
-	110856	Washer, spring, 4BA	4	} Actuator to bracket
24	690296	Hank bush, 4BA	4	
25	64.12074	Link	2	
26	692315	Screw, M4 x 16	2	
27	692054	Washer, plain, M4	2	} Link to actuator
28	692314	Nut, Nyloc, M4	2	
29	64.11778	Bonnet lock, RH	1	
-	64.11779	Bonnet lock, LH	1	
-	635.000.0220	Blanking grommet	2	} Emergency access to lock
30	64.11715	Lock fixing plate	2	
31	692296	Screw, M6 x 30	6	} Bonnet lock to fixing plate
32	64.11712	Bracket, lockstriker, RH	1	
-	64.11713	Bracket, lockstriker, LH	1	
33	690292	Spacer, 5/32 in. thick	4	
34	692146	Screw, M6 x 20	4	} Bracket to bonnet
35	692046	Washer, spring, M6	4	
36	64.11714	Striker	2	
37	692297	Screw, M8 x 15, countersunk head	4	} Striker to bracket
-	692067	Washer, shakeproof, M8	4	
38	692077	Nut, M8	4	
-	85.19332	Foam, under-bonnet, outer panel	2	
-	85.19333	Foam, under-bonnet, inner panel	2	
-	693045	Adhesive	as reqd	Foam to bonnet

# CHASSIS AND BODY

## Body - Bonnet



Cars from 1988







## CHASSIS AND BODY

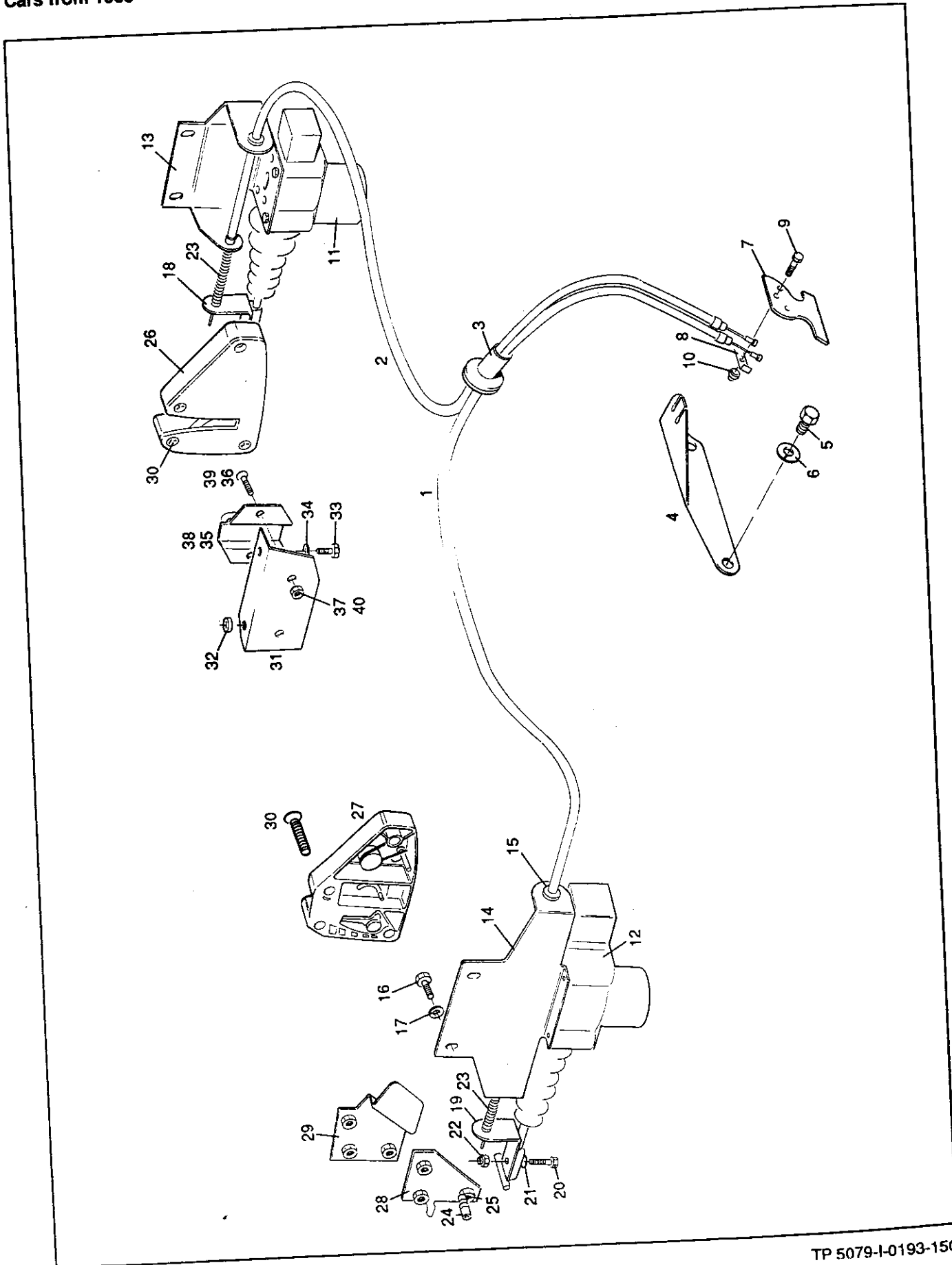
Body - Bonnet  
Cars from 1988

Illus No.	Part Number	Description	Qty	Remarks
1	64.10144	Bonnet hinge, RH	1	
2	64.10145	Bonnet hinge, LH	1	
3	64.10152	Hinge mounting bracket	2	
4	692089	Screw, M8 x 16	8	} Mounting brackets
5	692047	Washer, spring, M8	8	
6	692057	Washer, plain, M8	8	} to
7	692213	Screw, M8 x 12	8	} valances
8	692047	Washer, spring, M8	4	} Hinges
9	692057	Washer, plain, M8	4	} to
10	692087	Screw, M8 x 20	4	} mounting brackets
11	692067	Washer, shakeproof, M8	4	} Hinges to bonnet
12	692057	Washer, plain, M8	4	
13	64.25242	Gas strut, bonnet	2	
-	692047	Washer, spring, M8	4	
14	692057	Washer, plain, M8	4	
15	692077	Nut, M8	4	
16	64.25357	Bonnet strut	1	
17	069.064.0098	Spring	1	
18	692057	Washer, plain, M8	1	} Bonnet strut to bonnet frame
19	692135	Nut, Nyloc, M8	1	
20	069.064.0083	Clip	1	
-	691782	Screw, PK, No. 6 x 3/8 in.	2	Clip to bonnet frame
21	64.26130	Bonnet strut locator	1	
-	691401	Pop rivet, 1/8 in. dia.	4	Locator to LH wheelarch
22	64.26374	Plate	1	
23	64.26376	Nylon bush	1	} Discard bolt supplied and use item 24
24	692196	Bolt, M8 x 60	1	
25	64.26375	Rubber cap	1	} Bonnet bump stop from chassis no. 13593 approx.
26	694346	Capscrew, M4 x 15	1	
-	85.25724	Foam, under-bonnet, centre	2	Plate to wiper mechanism
-	85.25725	Foam, under-bonnet, side	2	
-	85.25726	Foam, under-bonnet, front	2	
-	693045	Adhesive	as reqd	Foam to bonnet



# CHASSIS AND BODY

Body - Bonnet Release  
Cars from 1988





## CHASSIS AND BODY

 Body - Bonnet  
 Bonnet lock release system  
 Cars from 1988

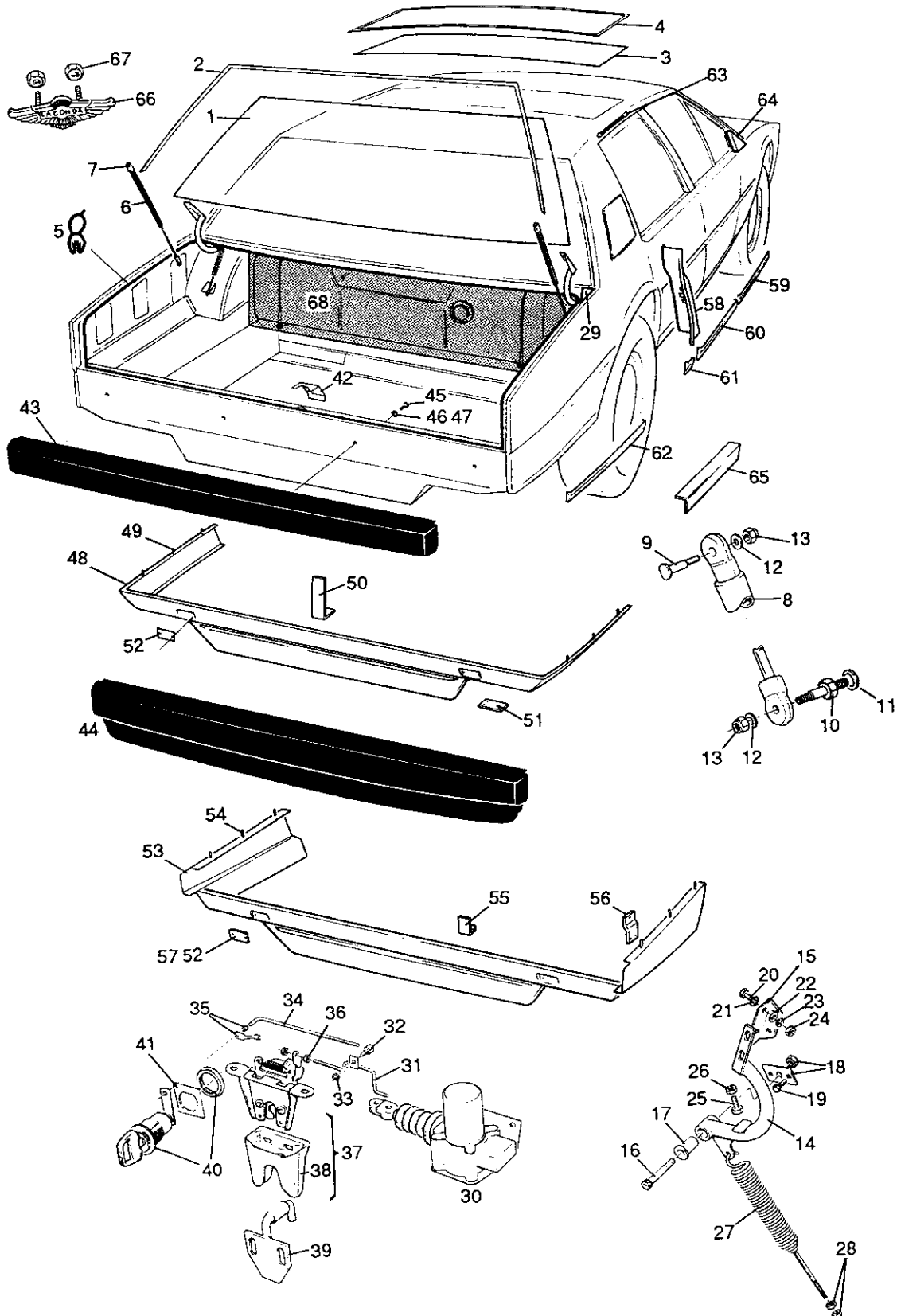
Illus No.	Part Number	Description	Qty	Remarks
1	64.25923	Cable, bonnet release, short	1	Overall length 1000 mm
2	64.23888	Cable, bonnet release, long	1	
3	694090	Sleeved grommet	1	Overall length 2000 mm
-	64.23818	Bracket, bonnet release cables	1	Cables through bulkhead
4	64.23817	Bracket, bonnet release cables	1	RHD
5	692213	Screw, M8 x 12	1	LHD
6	692047	Washer, spring, M8	2	} Bracket to } bulkhead cross-member
7	64.23885	Handle, bonnet release cables	2	
8	64.23816	Clamp, bonnet release cables	1	
9	692090	Screw, M5 x 12	1	
10	692800	Nut, Nyloc, M5	1	} Clamp } to handle
11	37.11090	Actuator, bonnet lock, RH	1	
12	37.11091	Actuator, bonnet lock, LH	1	
-	37.13144	Plug, harness	1	
13	64.25898	Bracket, actuator, RH	2	
14	64.25899	Bracket, actuator, LH	1	} Cars from chassis no. 13552 } Use to replace early brackets
15	691917	Grommet, cable	1	
16	692243	Screw, M5 x 16	2	
17	692065	Washer, shakeproof, M5	4	} Brackets } to } body
-	693063	Rivnut, M5	4	
18	64.23876	Link, RH	4	
19	64.23877	Link, LH	1	
20	692315	Screw, M4 x 16	1	
21	692054	Washer, plain, M4	2	} Link to actuator
22	692314	Nut, Nyloc, M4	2	
23	081.031.0115	Spring	2	
24	032.034.0031	Trunnion, cable end	2	
25	032.034.0032	Trunnion screw	2	
26	64.11778	Bonnet lock, RH	2	
27	64.11779	Bonnet lock, LH	1	
-	635.000.0220	Blanking grommet	1	
-	64.23880	Lock fixing plate, RH	2	Emergency access to lock
28	64.23879	Lock fixing plate, LH	1	
-	64.26538	Lock fixing plate, RH	1	} From } May 1989
29	64.26539	Lock fixing plate, LH	1	
30	692296	Screw, M6 x 30	6	Bonnet lock to fixing plate
31	64.11712	Bracket, lockstriker, RH	1	
-	64.11713	Bracket, lockstriker, LH	1	
32	690292	Spacer, 5/32 in. thick	1	
33	692146	Screw, M6 x 20	4	} Bracket to bonnet
34	692046	Washer, spring, M6	4	
35	64.11714	Striker	4	
36	692297	Screw, M8 x 15, countersunk head	2	
-	692067	Washer, shakeproof, M8	4	} Striker to bracket
37	692077	Nut, M8	4	
38	64.25926	Striker	4	
39	694040	Screw, M6 x 16, countersunk head	2	} Cars from } chassis } no. } 13565
-	692056	Washer, plain, M6	4	
40	692151	Nut, Nyloc, M6	4	} Striker to bracket
			4	

# CHASSIS AND BODY

## Body - Rear



Cars to 1988





**CHASSIS AND BODY**

**Body - Rear  
Cars to 1988**

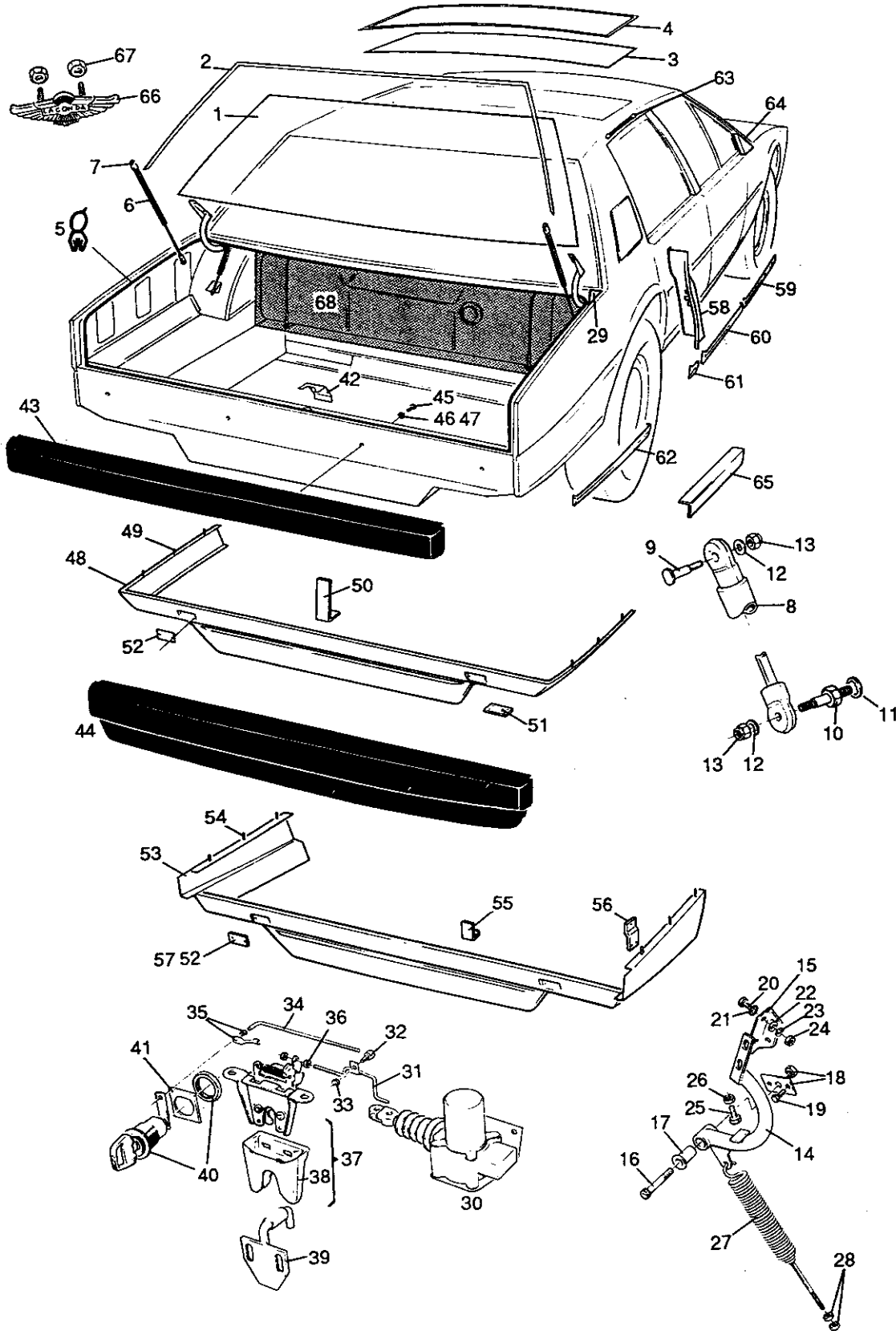
Illus No.	Part Number	Description	Qty	Remarks
1	76.10512	Rear screen	1	
2	692366	Rear screen finisher, in strips	12ft	Cut to suit car
-	78.15569	Rear screen finisher trimmed, unpainted	1	
-	78.15568	Rear screen finisher trimmed, painted	1	
-	693154	Sealer	as reqd	
-	693155	Primer	as reqd	
3	76.10511	Roof glass	1	
4	692366	Roof glass finisher, in strips	12ft	Cut to suit car
-	78.15571	Roof glass finisher trimmed, unpainted	1	
-	78.15570	Roof glass finisher trimmed, painted	1	
-	693154	Sealer	as reqd	
-	693155	Primer	as reqd	
5	77.12846	Boot aperture seal	1	
6	67.12343	Gas strut with ball end	2	} Early cars. } Replace gas strut with later } strut (use 2 per car) } and later fixings
7	67.10083	Pivot bolt, upper, 10 mm thick, M6 thread	2	
-	692046	Washer, spring, M6	2	
-	692076	Nut, M6	2	
8	67.19619	Gas strut	2	} Later cars } from January 1984
9	64.19478	Pivot bolt, upper, 8 mm thick, M6 thread	2	
10	67.19618	Pivot, lower, threads M8 and M6	2	
11	692067	Washer, shakeproof, M8	2	
12	692056	Washer, plain, M6	4	} From } chassis no. } 13156. } Use to replace } earlier hinge
13	692151	Nut, Nyloc, M6	4	
14	67.17371	Boot hinge	2	
15	67.17374	Hinge adjustment bracket	2	
-	692087	Screw, M8 x 20	4	} Bracket } to } hinge
-	692057	Washer, plain, M8	8	
-	692135	Nut, Nyloc, M8	4	
16	692230	Pivot bolt	2	
17	692328	Hinge pivot bush	4	
18	67.12000	Hinge bracket, RH	1	} Hinge brackets to chassis
-	67.21937	Hinge bracket, LH	1	
19	692087	Screw, M8 x 20	4	
-	692047	Washer, spring, M8	4	
-	692057	Washer, plain, M8	4	} Hinge to boot lid
20	692087	Screw, M8 x 20	4	
21	690407	Washer, plain, 1.3/8 in. OD	4	
22	692057	Washer, plain, M8	4	
23	692047	Washer, spring, M8	4	} Hinge } stop
24	692077	Nut, M8	2	
25	692087	Screw, M8 x 20	2	
26	692077	Nut, M8	2	
27	67.12371	Hinge spring	4	
28	692077	Nut, M8	1	} Not fitted from } chassis no. } 13325 (later boot lid) } unless rear aerials are fitted
29	78.14076	Finisher, boot lid corner, RH	1	
-	78.14077	Finisher, boot lid corner, LH	1	
-	069.078.0029	Clip	2	
-	550.000.1410	Pop rivet, 1/8 in. dia.	2	
-	692461	Tape, double-sided	as reqd	
-	692432	Grommet, electric aerial	1	

# CHASSIS AND BODY

## Body - Rear



Cars to 1988





**CHASSIS AND BODY**

**Body - Rear  
Cars to 1988**

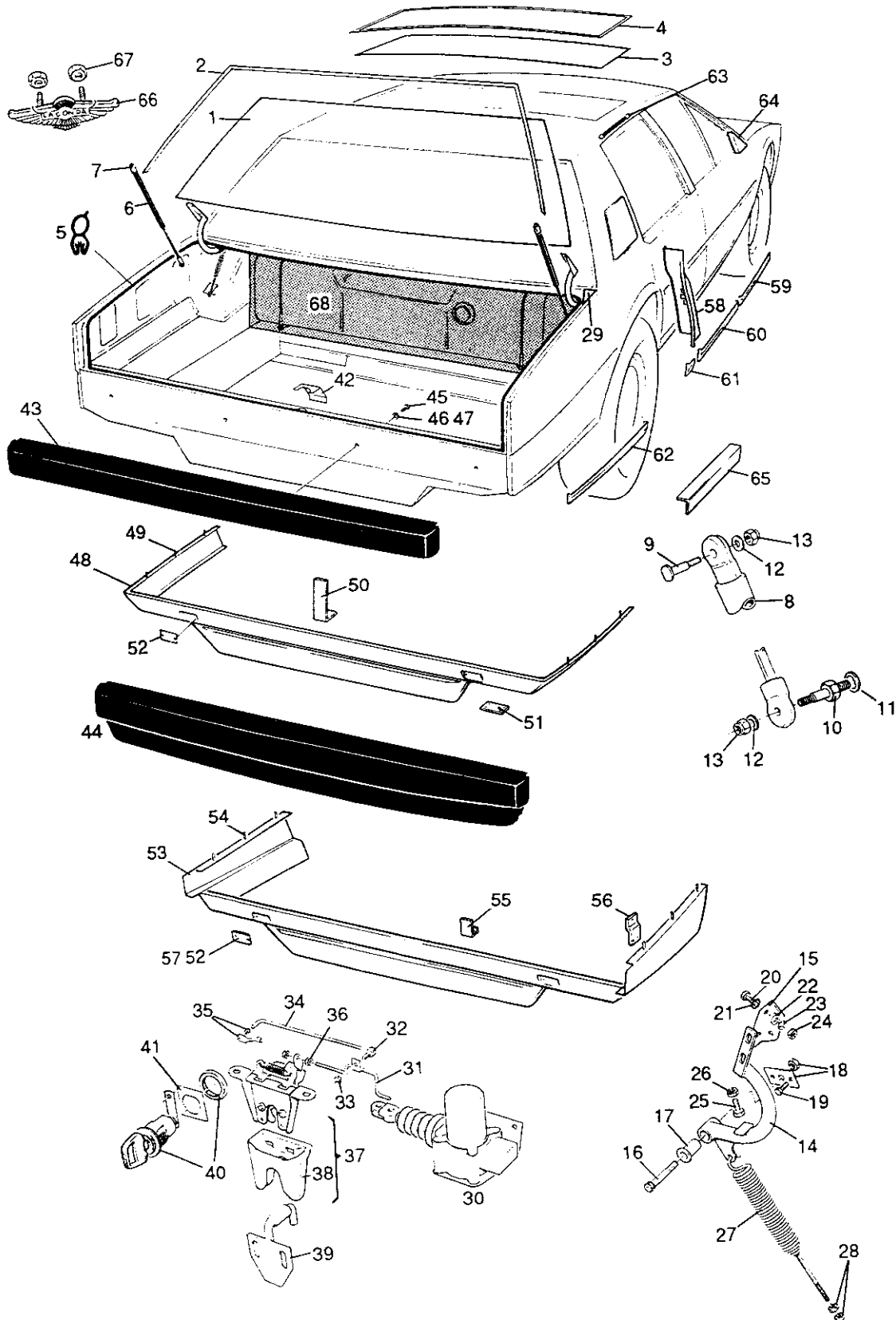
Illus No.	Part Number	Description	Qty	Remarks
30	37.11090	Boot lock actuator	1	} Actuator to body
-	37.13144	Harness block	1	
-	690296	Hank bush, 4BA	2	
-	110918	Screw, 4BA x 1/2 in.	2	
-	110856	Washer, spring, 4BA	2	
31	67.13719	Link	1	
32	069.065.0213	Trunnion	1	
-	119496	Washer, plain, 3/16 in. ID	2	
33	690484	Nut, Nyloc, 2BA	1	
34	67.13720	Link	1	
-	67.17834	Link	1	Central lock mounting Lock mounting to the left of number plate. From approx. chassis no. 13218
35	069.099.0016	Bush and clip	1	
36	691972	Locknut, No 6 UNF	4	
37	67.11951	Boot lock, central key lock mounting	1	Up to approx. chassis 13217
-	67.17835	Boot lock, key lock to the left of number plate	1	From approx. chassis 13218
38	67.16268	Rubber cover	1	
-	692262	Bolt, M6 x 12	3	} Boot lock attach
-	692046	Washer, spring, M6	3	
-	67.11946	Cover plate, boot lock and lamp	1	
-	692210	Screw, M4 x 12	6	Cover plate attach
39	67.11953	Striker	1	Early cars (short outer tube)
-	67.17485	Striker	1	Later cars (long outer tube)
-	692087	Screw, M8 x 20	2	} Striker attach
-	692047	Washer, spring, M8	2	
40	65.18221	Lock and key	1	Part of lock kit, 65.13925
-	67.23509	Lock and key	1	Cars from 1986, with vacuum flourescent instrumentation
41	069.065.0149	Packing plate, lock	1	
42	67.11945	Striker cover plate	1	Not fitted from
-	692210	Screw, M4 x 12	4	Cover attach chassis no 13288
-	095.038.0107	Micro switch, boot lock	1	
-	67.14275	Switch bracket	1	
-	691952	Screw, 6BA	2	} Switch to bracket
-	691349	Washer, plain, 6BA	2	
-	691347	Nut, 6BA	2	
-	692228	Screw, M4 x 10	2	} Bracket attach
-	692064	Washer, shakeproof, M4	2	
43	72.10003	Rear bumper	1	
44	72.17827	Rear bumper	1	USA cars; and all cars from chassis no. 13284. (1983)
45	692129	Screw, M8 x 25	4	} Bumpers to chassis
46	692047	Washer, spring, M8	4	
47	692057	Washer, plain, M8	4	

# CHASSIS AND BODY

## Body - Rear



Cars to 1988







## CHASSIS AND BODY

Body - Rear  
Cars to 1988

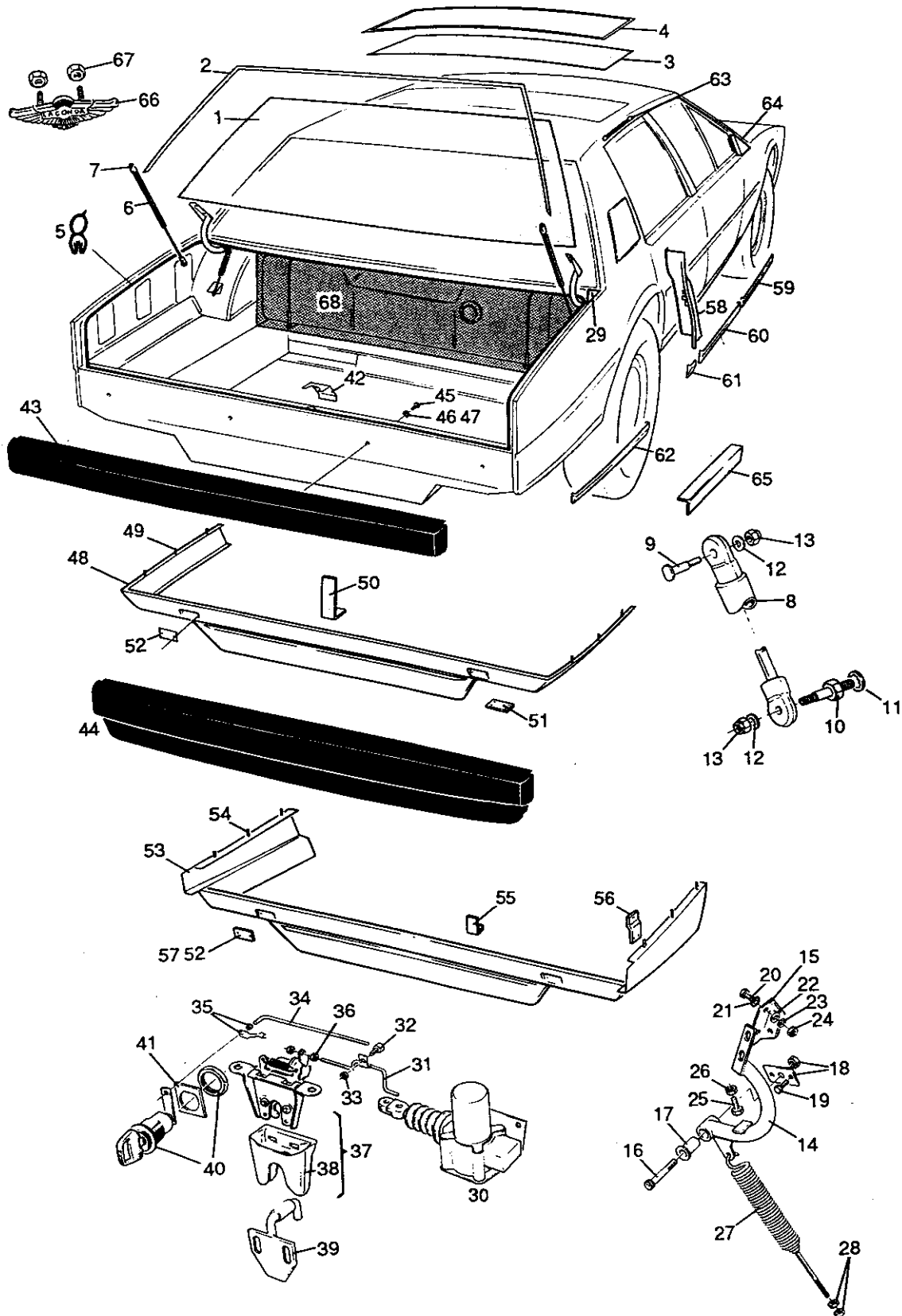
Illus No.	Part Number	Description	Qty	Remarks	
48	78.12732	Rear under valance	1		
49	692472	'Bighead' fixing, M5 x 20	6		
-	692509	Pop rivet, 5/32 in. dia	12		
50	78.14573	Bracket, under valance mounting, centre	1		
-	692509	Pop rivet, 5/32 in. dia	2		
51	78.17403	Bracket, under valance mounting, side	2		
-	110859	Pop rivet, 1/8 in. dia	8		
-	690257	Washer, plain, 3/16 in. ID	6	Under valance to body	
-	692065	Washer, shakeproof, M5	6		
-	692075	Nut, M5	6		
-	692205	Rivet, 1/8 in. dia	2		
-	692090	Screw, M5 x 12	2		
-	122422	Washer, plain, 3/16 in. ID	4		
-	692065	Washer, shakeproof, M5	2		
-	692075	Nut, M5	2		
52	37.12670	Reflector	2		
-	692210	Screw, M4 x 12	4		Reflector to under valance
-	692054	Washer, plain, M4	4		
-	692064	Washer, shakeproof, M4	4		
-	692074	Nut, M4	4		
53	78.17865	Rear under valance	1	Not on USA or French cars	
54	692472	'Bighead' fixing, M5 x 20	6		
-	692509	Pop rivet, 5/32 in. dia	12	Under valance to body	
55	78.18896	Bracket, under valance mounting, centre	1		
-	550.000.1410	Pop rivet, 1/8 in.	4		
56	78.17866	Bracket, under valance mounting, side	2		
-	110859	Pop rivet, 1/8 in. dia.	6		
-	690257	Washer, plain, 3/16 in. ID	6		
-	692065	Washer, shakeproof, M5	6		
-	692075	Nut, M5	6		
57	78.17867	Reflector	2		USA cars. Self adhesive
58	78.15183	Finisher, rear wheelarch, RH	1		
-	78.15184	Finisher, rear wheelarch, LH	1		
-	069.077.0031	Seal rubber	2		
-	692497	Screw, No 6 x 3/8 in.	6		
59	78.11043	Finisher, front door, RH	1		
-	78.11044	Finisher, front door, LH	1		
60	78.11045	Finisher, rear door, RH	1		
-	78.11046	Finisher, rear door, LH	1		
-	78.11234	Finisher clip	10		
-	692451	Captive stud, M4 x 16	10	3 per front finisher 2 per rear finisher	
-	692054	Washer, plain, M4	10		
-	692064	Washer, shakeproof, M4	10		
-	692074	Nut, M4	10		
61	78.11035	Finisher, rear wing, front, RH	1		
-	78.11036	Finisher, rear wing, front, LH	1		
-	692497	Screw, No 6 x 3/8 in.	4		
62	78.11037	Finisher, rear wing, rear, RH	1		
-	78.11038	Finisher, rear wing, rear, LH	1		
-	78.11234	Finisher clip	6		
-	692317	Rivet	8		
-	692497	Screw, No 6 x 3/8 in.	2		

# CHASSIS AND BODY

## Body - Rear



Cars to 1988





## CHASSIS AND BODY

Body - Rear  
Cars to 1988

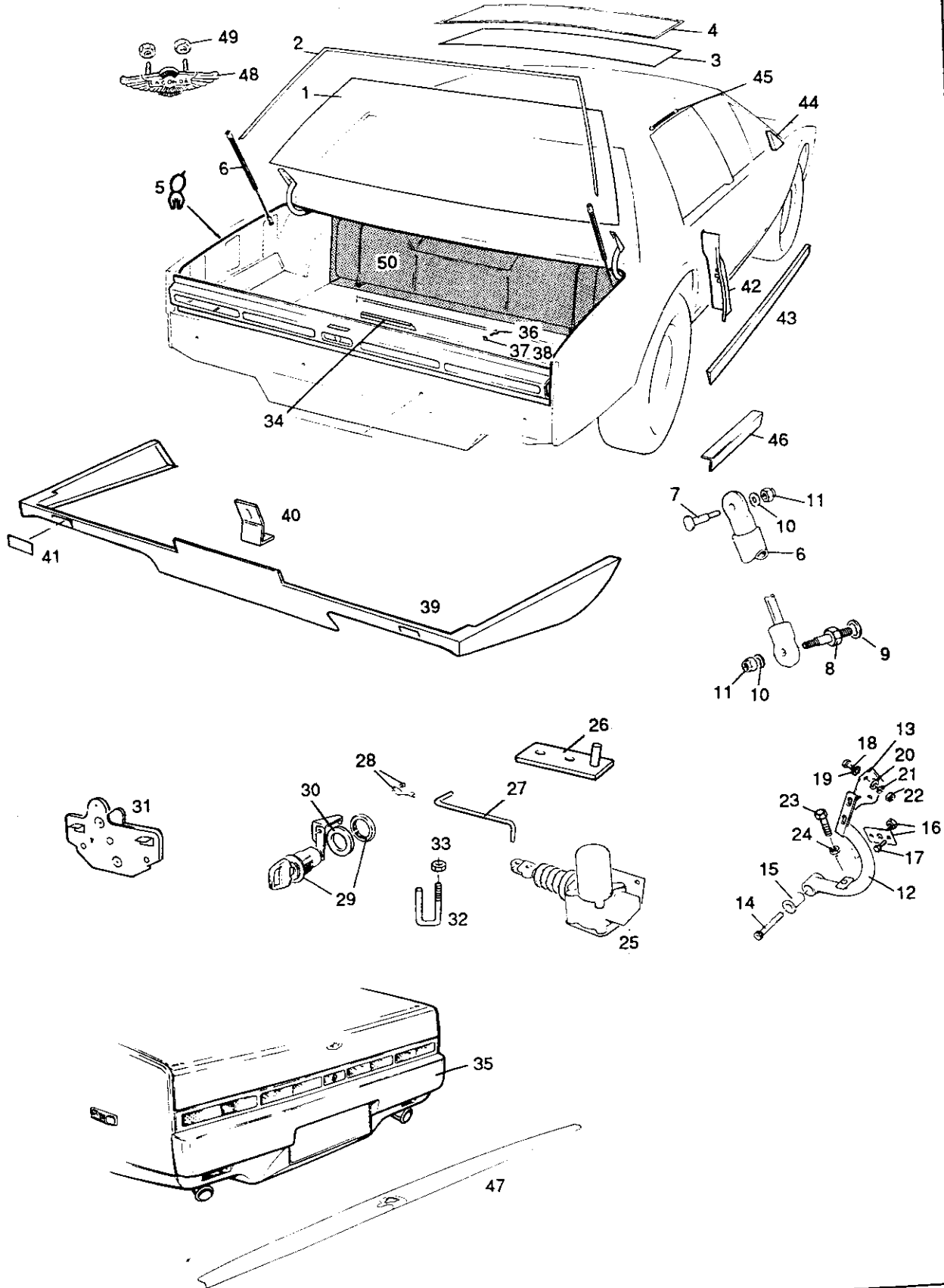
Illus No.	Part Number	Description	Qty	Remarks
63	80.11893	Interior handle	2	
-	692608	Screw, M6 x 20	4	} Handles } attach
-	692056	Washer, plain, M6	4	
-	83.21568	Interior handle	2	} Handles } Cars } attach } from } } Sept. 1985
-	693234	Screw, M5 x 35	4	
-	692055	Washer, plain, M5	4	
-	476142	Coat hook	2	
-	83.18564	Coat hook	2	Cars from chassis no.13284
-	110750	Screw, No. 4 x 1/2 in., countersunk head	4	
64	78.15581	'A' post finisher, RH	1	
-	78.15585	'A' post finisher, LH	1	
-	88.19050	Mounting bracket, RH	1	
-	88.19051	Mounting bracket, LH	1	
-	627.000.0803	Screw, No.6 x 1/2 in.	4	
-	83.12008	Mounting panel, RH	1	} Boot lid inner } supplementary lamps
-	83.12009	Mounting panel, LH	1	
-	83.11977	Lamp mounting plate	2	} See also } section 6.2B.1
-	83.11978	Side bracket	4	
-	692210	Screw, M4 x 12	8	} Side bracket } to mounting plate
-	692064	Washer, shakeproof, M4	8	
-	110992	Rivet, 1/8 in. x 1/4 in.	8	Bracket attach
-	83.11973	Mounting panel access plate	2	
-	692210	Screw, M4 x 12	8	} Mounting panels to trim board
-	692054	Washer, plain, M4	8	
-	558.000.0108	Washer, cup, No 8	8	
65	83.14430	Finisher, boot lid, 13 in. (330 mm)	2	
-	691782	Screw, No 6 x 3/8 in.	4	
-	83.19641	Finisher, boot lid, 20 in. (504 mm)	2	} From approx. } chassis no. 13340
-	692805	Screw, No 6 x 5/8 in.	6	
66	71.10977	Boot lid badge, with "Aston Martin"	1	} Early } cars
67	690484	Nut, Nyloc, 2BA	2	
-	67.19334	Boot lid badge	1	} From chassis no. 13338, } and 13331/6.
-	692800	Nut, Nyloc, M5	2	
-	67.19382	Boot lid edge support	1	} January 1984
68	83.12645	Trim board, fuel tank	1	Early cars } Cars with Cars from } electric mid. 1982. } aerial
-	83.18278	Trim board, fuel tank	1	
-	83.19055	Trim board, fuel tank	1	Cars with roof aerial, from 1983
-	83.14193	Plywood block for strap	1	
-	83.16295	Reinforcing strip	1	} Not on cars } with roof aerial
-	110895	Pop rivet, 1/8 in., strip attach	4	
-	692399	Rivet, 1/8 in.	4	Plywood block attach Cars with boot inner lamps
-	83.14162	Trim board, boot lid	1	
-	83.17120	Trim board, boot lid	1	} Cars without boot inner lamps
-	83.17324	Trim cover, boot hinge	2	
-	690765	Screw, No.4 x 5/8 in., hinge cover attach	8	
-	653.000.0606	Screw, No.6 x 3/4 in.	22	Trim board to boot lid

# CHASSIS AND BODY

## Body - Rear



Cars from 1988





## CHASSIS AND BODY

Body - Rear  
Cars from 1988

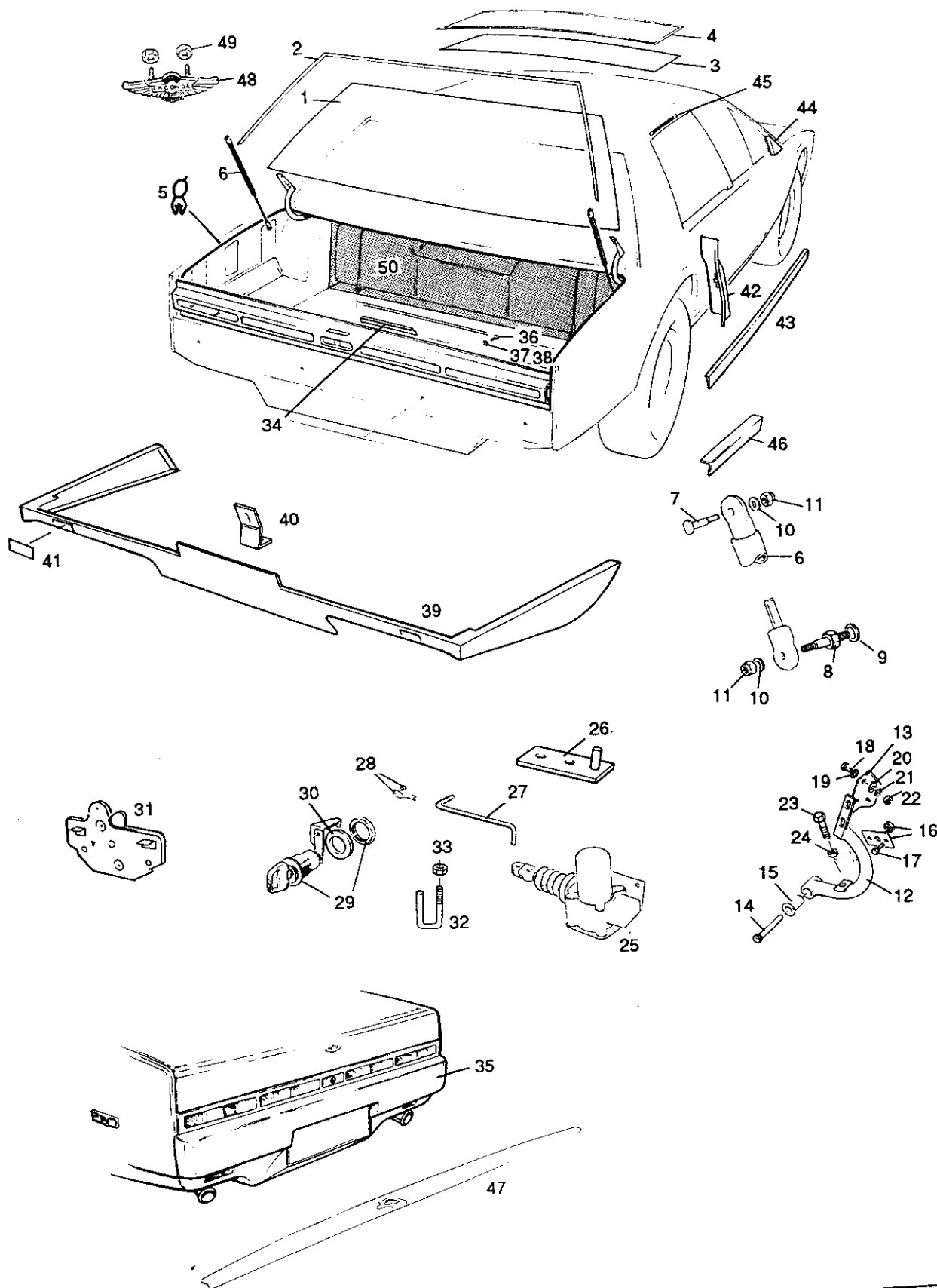
Illus No.	Part Number	Description	Qty	Remarks
1	76.10512	Rear screen	1	
2	692366	Rear screen finisher, in strips	12ft	Cut to suit car
-	78.15569	Rear screen finisher trimmed, unpainted	1	
-	78.15568	Rear screen finisher trimmed, painted	1	
-	693154	Sealer	as reqd	
-	693155	Primer	as reqd	
3	76.10511	Roof glass	1	
4	692366	Roof glass finisher, in strips	12ft	Cut to suit car
-	78.15571	Roof glass finisher trimmed, unpainted	1	
-	78.15570	Roof glass finisher trimmed, painted	1	
-	693154	Sealer	as reqd	
-	693155	Primer	as reqd	
5	77.12846	Boot aperture seal	1	
6	67.22672	Gas strut	2	
7	64.19478	Pivot bolt, upper, 8 mm thick, M6 thread	2	
8	67.19618	Pivot, lower, threads M8 and M6	2	
9	692067	Washer, shakeproof, M8	2	
10	692056	Washer, plain, M6	4	
11	692151	Nut, Nyloc, M6	4	
12	67.21928	Boot hinge	2	
13	67.17374	Hinge adjustment bracket	2	
-	692087	Screw, M8 x 20	4	} Bracket to hinge
-	692057	Washer, plain, M8	8	
-	692135	Nut, Nyloc, M8	4	
14	692230	Pivot bolt	2	
15	692328	Hinge pivot bush	4	
16	67.12000	Hinge bracket, RH	1	
-	67.21937	Hinge bracket, LH	1	
17	692087	Screw, M8 x 20	4	} Hinge brackets to chassis
-	692047	Washer, spring, M8	4	
-	692057	Washer, plain, M8	4	
18	692087	Screw, M8 x 20	4	
19	690407	Washer, plain, 1.3/8 in. OD	4	
20	692057	Washer, plain, M8	4	} Hinge to boot lid
21	692047	Washer, spring, M8	4	
22	692077	Nut, M8	4	
23	692298	Screw, M6 x 40	2	} Hinge stop
24	692076	Nut, M6	2	
25	37.20831	Boot lock actuator	1	
-	37.13144	Harness block	1	
-	692066	Washer, shakeproof, M6	2	} Actuator to body
-	692038	Screw, M6 x 12	2	
26	80.23760	Lever arm	1	
27	80.21932	Link	1	
28	069.099.0016	Bush and clip	1	
29	61.20893	Lock and key	1	
30	61.20897	Washer	1	
-	023.008.0174	Return spring	1	
31	80.23894	Boot latch	1	
-	692046	Washer, spring, M6	2	} Boot latch to body
-	692146	Screw, M6 x 20	2	

# CHASSIS AND BODY

## Body - Rear



Cars from 1988





## CHASSIS AND BODY

Body - Rear  
Cars from 1988

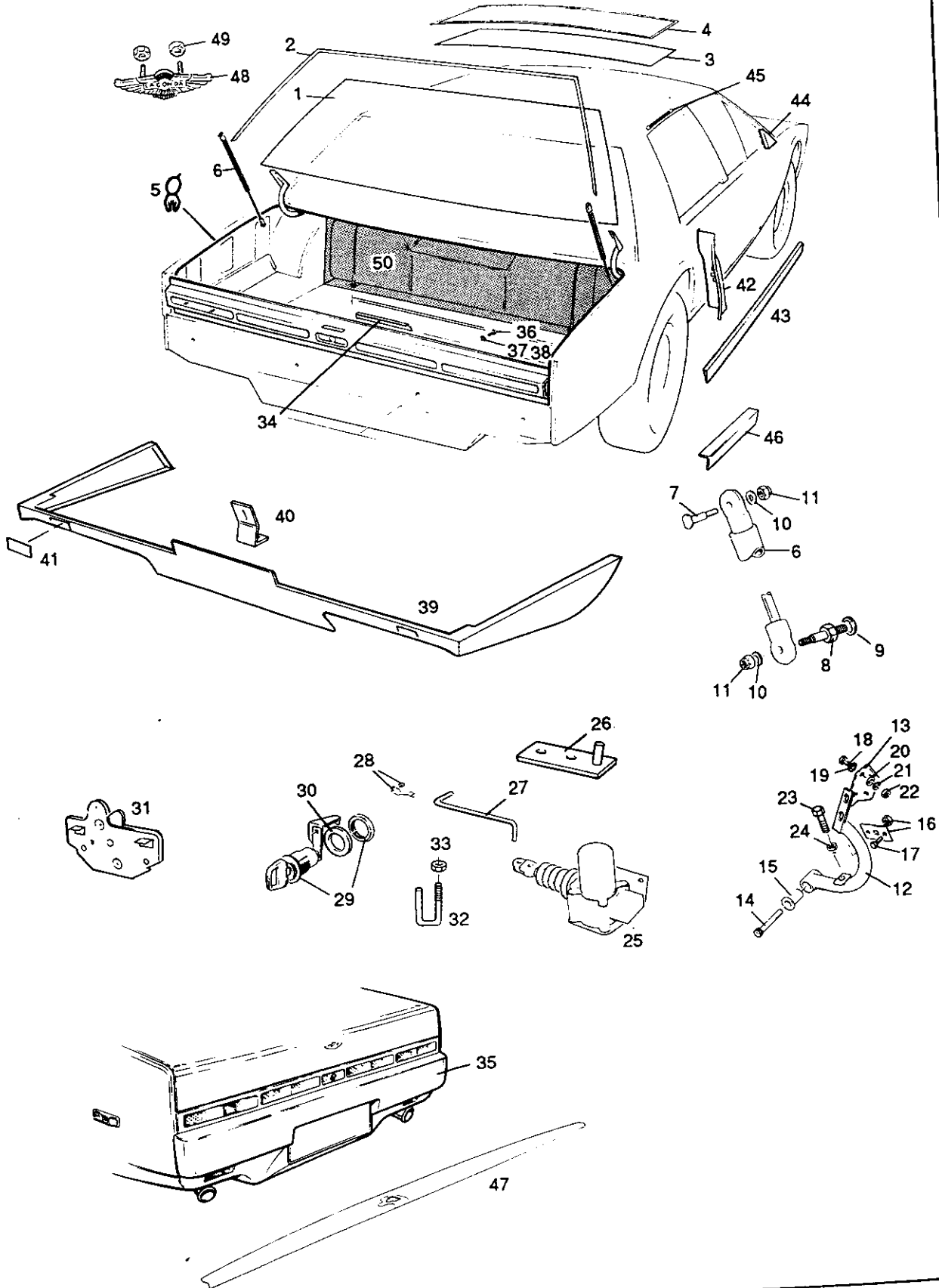
Illus No.	Part Number	Description	Qty	Remarks
32	67.22042	Boot lid striker	1	
33	692077	Nut, plain, M8	2	
34	80.21921	Cover plate	1	
-	693786	Ring-head fastener	2	} Cover plate to body
-	693788	Washer, plastic	2	
-	693787	Fastener receptical	2	
35	72.23432	Rear bumper	1	
-	-	Bumper end finishers - bumper to body	2	Certain cars. Make as required
36	693754	Screw, M8 x 20	4	} Bumper to chassis
37	692047	Washer, spring, M8	4	
38	692057	Washer, plain, M8	4	
39	78.24197	Rear under valance	1	
-	693820	'Bighead' fixing, M5 x 12	2	
-	692509	Pop rivet, 5/32 in. dia	4	
40	78.24220	Bracket, under valance mounting	2	} Bracket attach
-	692090	Screw, M5 x 12	2	
-	692055	Washer, plain, M5	4	
-	692800	Nut, Nyloc, M5	2	
-	691342	Air drying neoprene	as reqd	} Under valance to body
-	692005	Screw, M5 x 16	7	
-	693793	Washer, plain, M5	7	
-	692055	Washer, plain, M5	9	
-	692800	Nut, Nyloc, M5	9	
-	693068	Rubber	2 mtr.	
-	692264	Rubber	1 mtr.	
41	78.23951	Reflector	2	
42	78.15183	Finisher, rear wheelarch, RH	1	
-	78.15184	Finisher, rear wheelarch, LH	1	
-	069.077.0031	Seal rubber	2	
-	692497	Screw, No. 6 x 3/8 in.	6	
43	78.23222	Outer sill finisher, RH (GRP)	1	} Sill finishers to body
-	78.23221	Outer sill finisher, LH (GRP)	1	
-	691020	Screw, No.8 x 1/2 in.	10	
-	692055	Washer, plain, M5	10	
-	582.000.2824	Pop rivet, 1/8 in. CSK	4	
-	693774	Screw protective cap	10	
-	693775	Screw protective washer	10	
-	693155	Primer	as reqd	
-	693154	Sealer	as reqd	
-	069.077.0031	Seal rubber	2	
-	692497	Screw, No. 6 x 3/8 in.	6	
44	78.23895	Mirror rubber pad, RH	1	
-	78.23896	Mirror rubber pad, LH	1	
-	83.25967	Mirror interior trim finisher, RH	1	(Assy: 83.25965)
-	83.25968	Mirror interior trim finisher, LH	1	(Assy: 83.25966)
-	693770	Seal, finisher edge, 440 mm	2	
-	110750	Screw, No. 4 x 1/2 in., chrome, countersunk head	2	Finisher attach
45	83.21568	Interior handle	2	} Handles attach
-	693234	Screw, M5 x 35	4	
-	692055	Washer, plain, M5	4	
-	83.18564	Coat hook	2	
-	110750	Screw, No. 4 x 1/2 in., chrome, countersunk head	4	

# CHASSIS AND BODY

## Body - Rear



Cars from 1988







## CHASSIS AND BODY

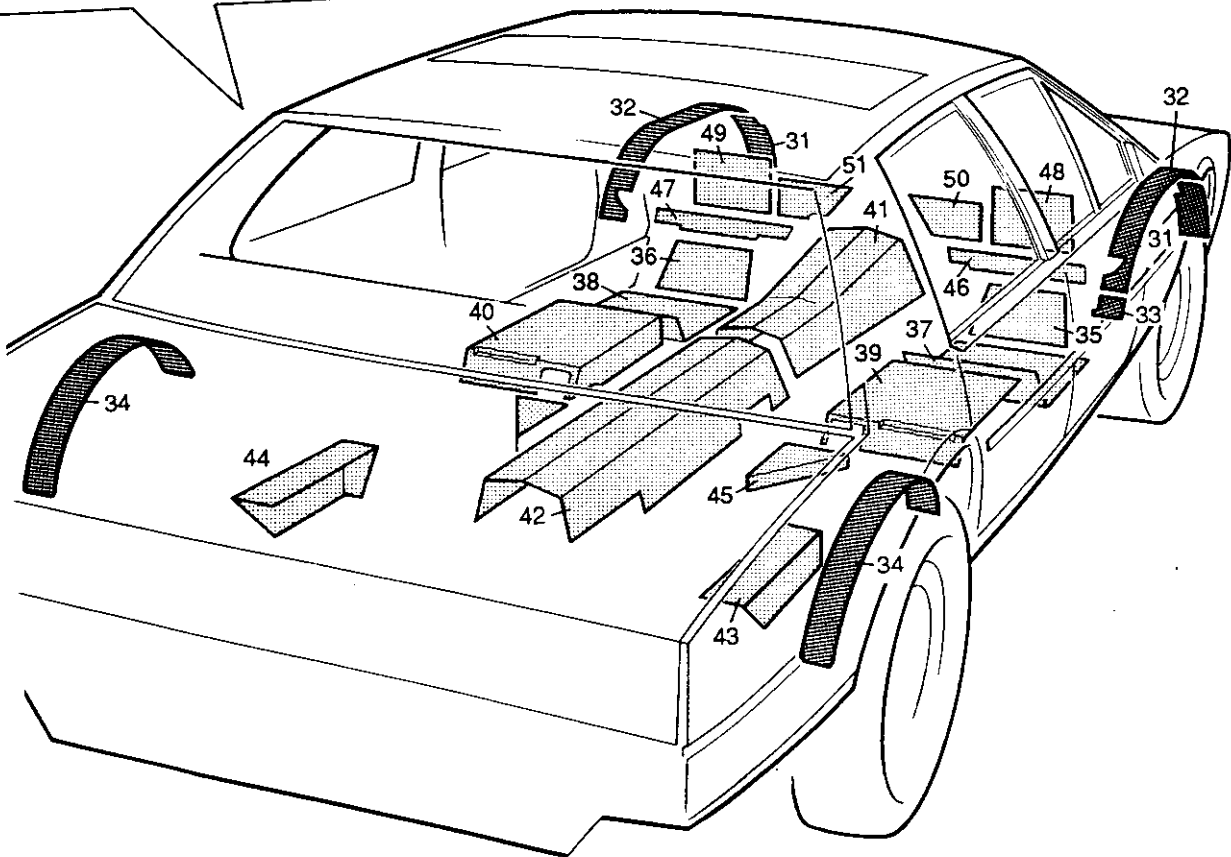
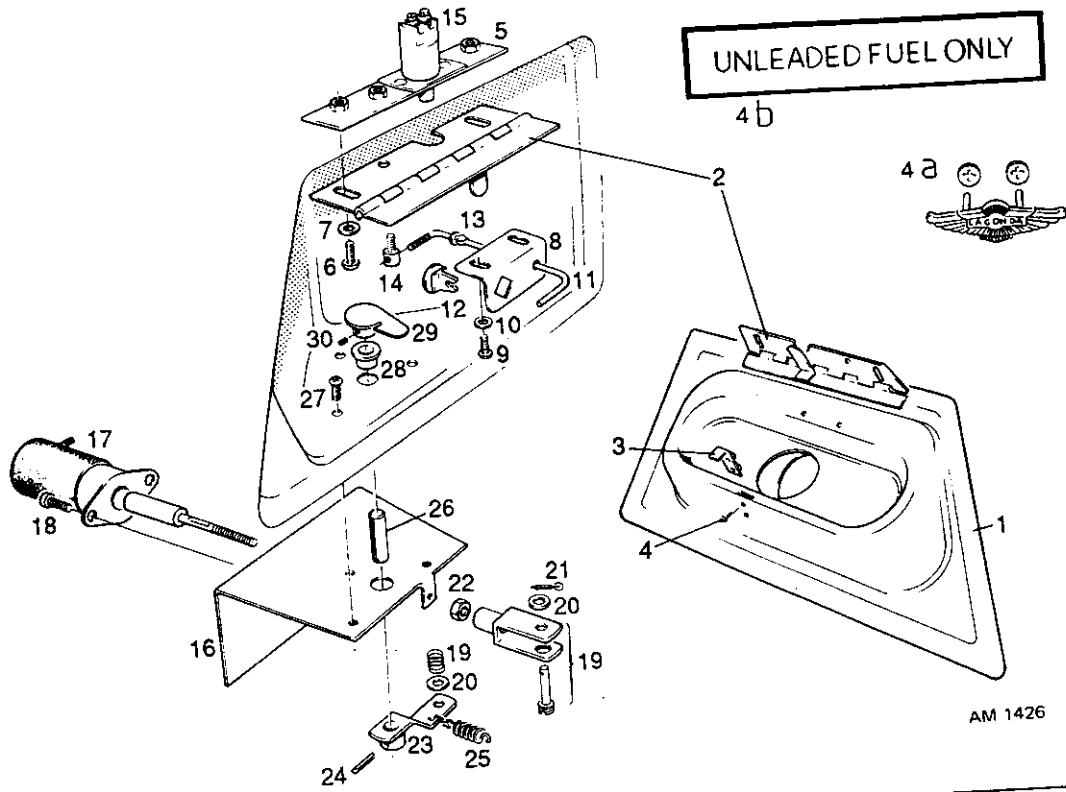
Body - Rear  
Cars from 1988

Illus No.	Part Number	Description	Qty	Remarks
46	83.19641	Finisher, boot lid, 20 in. (504 mm)	2	
-	692805	Screw, No. 6 x 5/8 in.	6	
47	78.24035	Finisher, boot sill	1	
-	-	Adhesive tape, double-sided, 25 mm wide	as reqd	Cut from 694579, 50 mm wide
48	67.19334	Boot lid badge	1	
49	692800	Nut, Nyloc, M5	2	
50	83.24013	Trim board, fuel tank	1	
-	83.25411	Seal, trim board	4	
-	580.000.2820	Pop rivet, 1/8 in. CSK	12	Seal to trim board
-	83.24157	Trim board, boot lid	1	
-	83.25869	Trim cover, boot hinge	2	
-	110750	Screw, No. 4 x 1/2 in., chrome, countersunk head	8	} Trim cover } attach
-	112184	Cupwasher, No.4	8	
-	653.000.0606	Screw, No. 6 x 3/4 in.	22	Trim board to boot lid
-	80.22847	Tread plate, sill, rubber, black, RH	2	
-	80.22848	Tread plate, sill, rubber, black, LH	2	
-	691883	Adhesive	as reqd	} Treadplates } attach
-	693431	Adhesive	as reqd	



# CHASSIS AND BODY

## Body - Rear Fuel Fillers, Stoneguards and Heatshields





## CHASSIS AND BODY

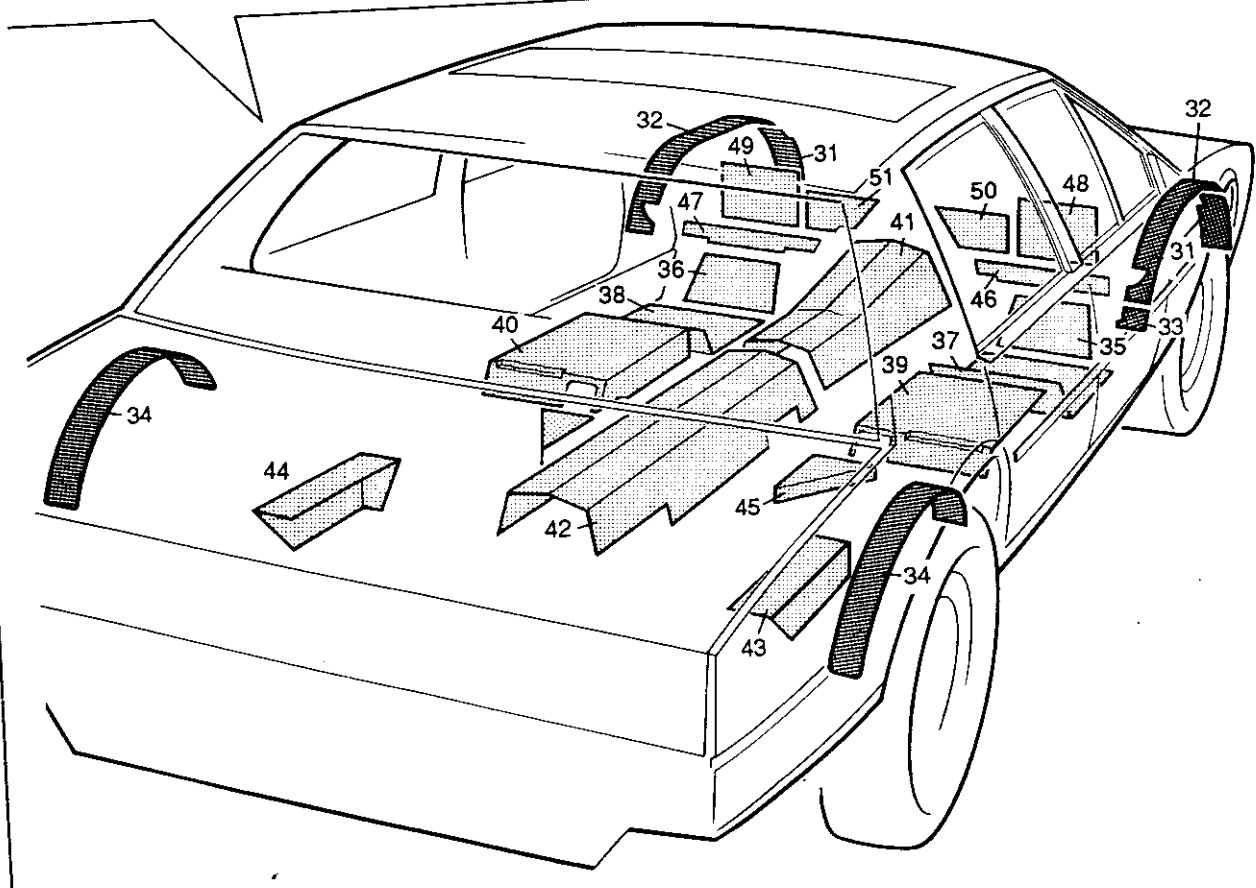
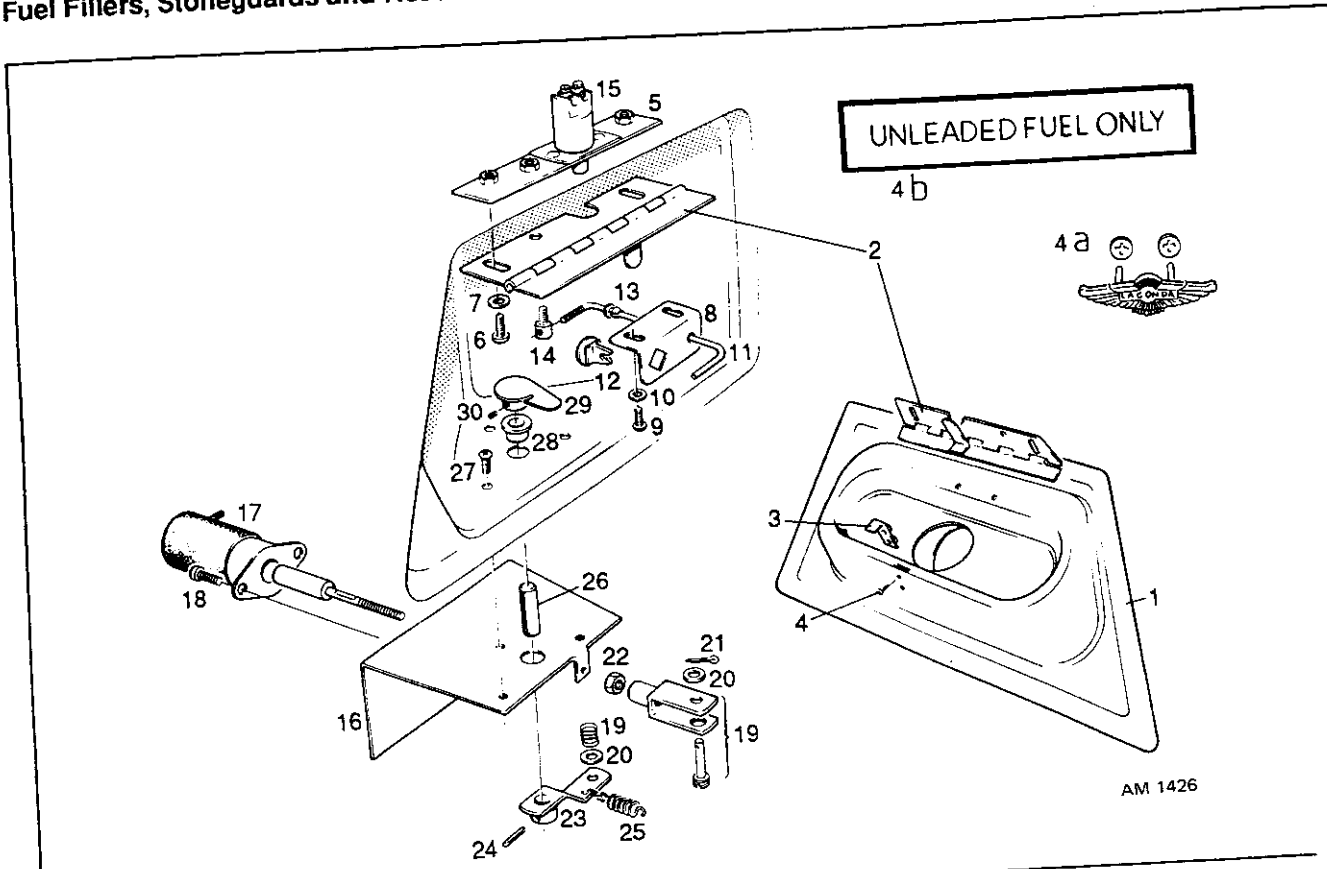
 Body - Rear  
 Fuel Filler Flaps, Stoneguards  
 and Heatshields

Illus No.	Part Number	Description	Qty	Remarks
-	TBA	Fuel filler flap, solid, with hinge, RH.	1	} Cars with vinyl trimmed roofs. See also section 9.1
-	TBA	Fuel filler flap, solid, with hinge, LH.	1	
-	68.17978	Striker	2	
1	68.10716	Fuel filler flap, with hinge, RH	1	
-	68.10717	Fuel filler flap, with hinge, LH	1	
2	68.12195	Flap hinge, RH	1	} Cars up to approx. chassis no. 13217
-	68.12196	Flap hinge, LH	1	
-	110896	Rivet, 1/8 in. x 1/4 in.	6	} Hinges to filler flaps
3	68.12488	Striker	2	
4	692228	Screw, M4 x 10	4	} Striker to filler flaps
-	692054	Washer, plain, M4	4	
-	68.17822	Fuel filler flap, with hinge, RH	1	} Flat inside
-	68.17823	Fuel filler flap, with hinge, LH	1	
-	68.12195	Flap hinge, RH	1	} Hinges to filler flaps
-	68.12196	Flap hinge, LH	1	
-	110896	Rivet, 1/8 in. x 1/4 in.	6	} Cars from approx. chassis no. 13218. (1982)
-	68.21719	Striker	2	
-	68.17979	Striker spacer	as reqd	
-	692314	Nut, Nyloc, M4	4	
-	692054	Washer, plain, M4	4	
4A	68.22227	Badge, filler flaps	2	
-	693354	Star washer	4	} USA cars
4B	97.53653	Label, 'Unleaded fuel only'	2	
5	68.12197	Hinge retaining plate, RH	1	
-	68.12198	Hinge retaining plate, LH	1	
6	690494	Screw, 2BA x 1/2 in.	4	
-	591.000.0403	Washer, shakeproof, 2BA	4	
7	690257	Washer, plain, 3/16 in. ID	4	
-	653.000.0603	Screw, No 6 x 3/8 in.	2	
8	68.12162	Stay bracket, RH	1	
-	68.12163	Stay bracket, LH	1	
9	692210	Screw, M4 x 12	4	} Brackets to filler flap.
10	692064	Washer, shakeproof, M4	4	
-	690257	Washer, plain, 3/16 in. ID	4	} Cars up to approx. 13217
-	692054	Washer, plain, M4	4	
-	692314	Nut, Nyloc, M4	4	} Brackets to filler flap.
-	692054	Washer, plain, M4	4	
11	68.12396	Link	2	} Cars from approx. 13218
12	692343	Link clip	2	
13	67.11947	Link bush	2	
14	069.065.0213	Trunnion	2	
15	37.20607	Limit switch	2	
16	68.12495	Mounting bracket, RH	1	
-	68.12496	Mounting bracket, LH	1	
17	097.037.0113	Solenoid	2	
18	692242	Screw, M5 x 12	4	} Solenoid to bracket
-	692065	Washer, shakeproof, M5	4	



# CHASSIS AND BODY

Body - Rear  
Fuel Fillers, Stoneguards and Heatshields





## CHASSIS AND BODY

 Body - Rear  
 Fuel Filler Flaps, Stoneguards  
 and Heatshields

Illus No.	Part Number	Description	Qty	Remarks
19	68.12509	Fork end and spring	2	
20	692056	Washer, plain, M6	4	
21	690352	Split pin, 1/16 in. x 3/8 in.	2	
22	542004	Locknut, 1/4 in. UNF	2	
23	68.12501	Lever	2	
24	691461	Tension pin	2	
25	68.12375	Return spring	2	
26	68.14157	Operating shaft	2	
27	692210	Screw, M4 x 12	6	} Bracket to skin panel
-	692054	Washer, plain, M4	6	
-	692064	Washer, shakeproof, M4	6	
28	692150	Oilite bearing	2	
29	68.12491	Pawl, RH	1	} Cars up to approx. chassis no. 13217
-	68.12492	Pawl, LH	1	
-	68.17974	Pawl, RH	1	} Cars from approx. chassis no. 13218. (1982)
-	68.17975	Pawl, LH	1	
30	691441	Grubscrew, 4BA x 1/4 in.	2	Early cars
-	692676	Grubscrew, 2BA x 1/4 in.	2	Later cars from 1981
31	77.11457	Stoneguard, front, lower	2	
32	77.11455	Stoneguard, front, upper	2	
33	88.15084	Stoneguard, front, rear	1	RH side fuel line protection
-	692369	Rubber seal, lower	6ft	
-	692369	Rubber seal, upper	8ft	
-	691976	'Rivnut' 2BA	3	
-	112189	Screw, 2BA x 1/2 in.	3	} Stoneguard attach
-	591.000.0403	Washer, shakeproof, 2BA	3	
-	112422	Washer, plain, 2BA	3	
34	77.11458	Stoneguard, rear	2	
-	692369	Rubber seal, rear	10ft	
-	692088	Screw, M6 x 16	16	} Stoneguard attach
-	124383	Washer, plain, 1/4 in.	48	
-	692046	Washer, spring, M6	12	
-	692041	Hank bush, M6	16	
-	692292	'Beamut', M6	12	
-	692038	Screw, M6 x 12	12	
35	86.13382	Bulkhead lower heat shield, RH	1	
36	86.13383	Bulkhead lower heat shield, LH	1	
37	86.11423	Front floor heat shield, RH	1	
38	86.11424	Front floor heat shield, LH	1	
39	86.11425	Seat pan heat shield, front, RH	1	
40	86.11426	Seat pan heat shield, front, LH	1	
41	86.11427	Tunnel heat shield, front	1	
42	86.11428	Tunnel heat shield, rear	1	
43	86.11429	Seat pan heat shield, rear, RH	1	
44	86.11430	Seat pan heat shield, rear, LH	1	
45	86.11896	Gusset, seat pan, tunnel	2	





## CHASSIS AND BODY

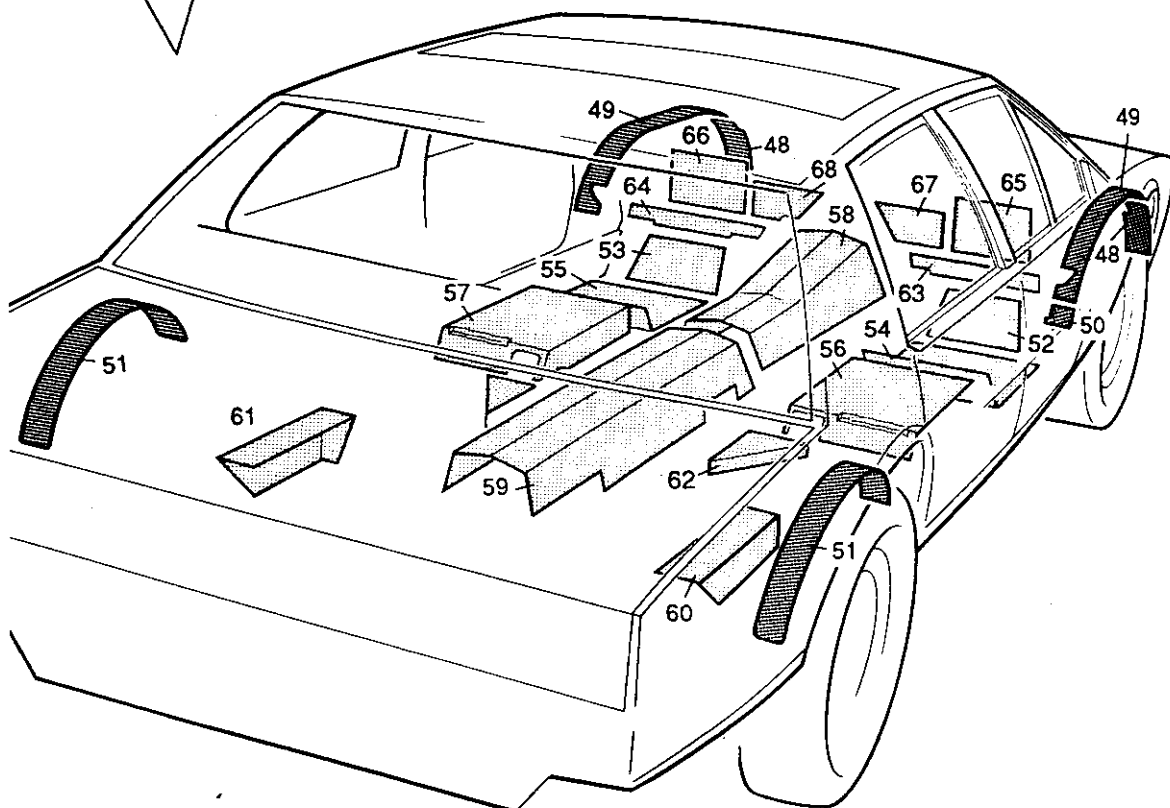
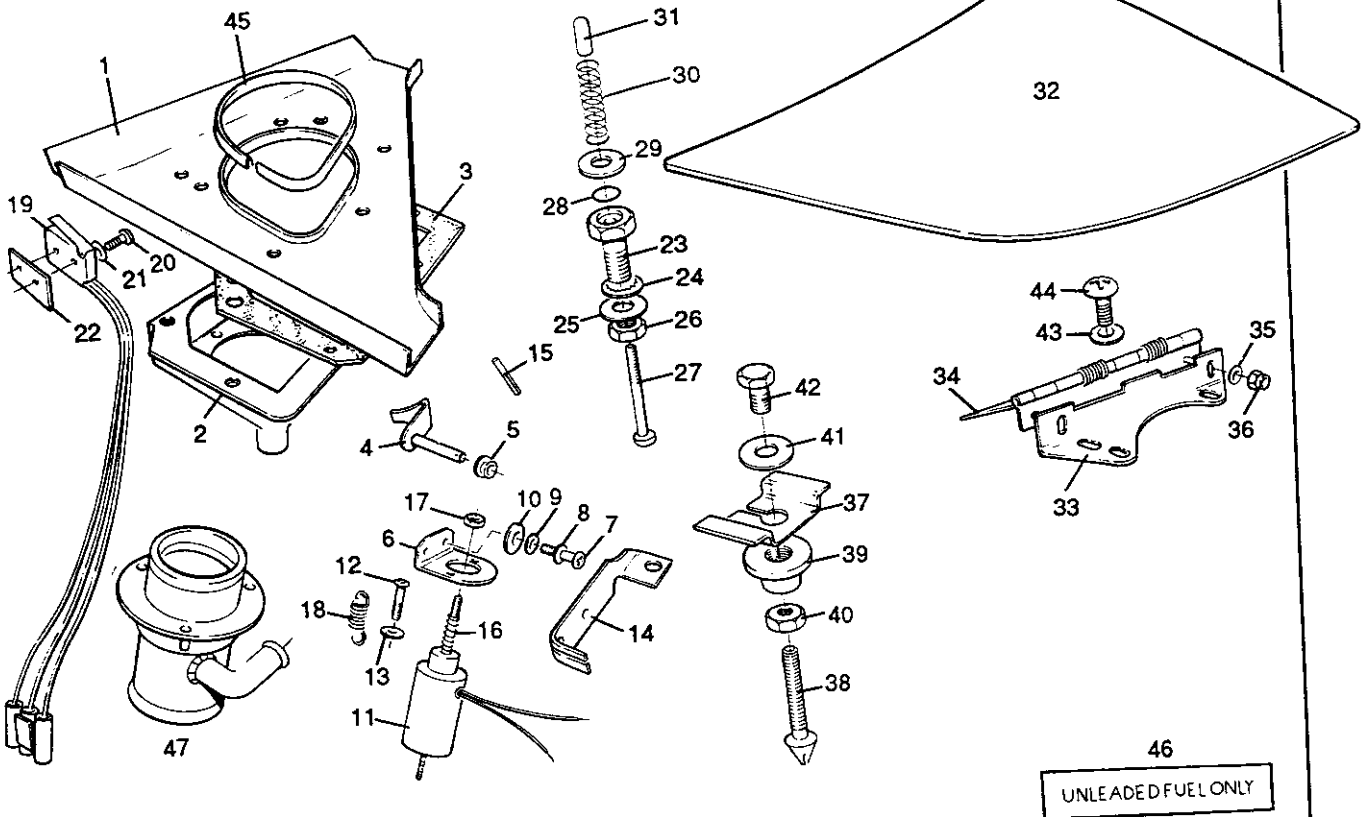
 Body - Rear  
 Fuel Filler Flaps, Stoneguards  
 and Heatshields

Illus No.	Part Number	Description	Qty	Remarks
46	86.13368	Bulkhead heat shield, centre, RH	1	
47	86.13369	Bulkhead heat shield, centre, LH	1	
48	86.13370	Toeboard heat shield, upper, RH	1	
49	86.13371	Toeboard heat shield, upper, LH	1	
50	86.13372	Bulkhead heat shield, upper, RH	1	
51	86.16865	Bulkhead heat shield, upper, LH	1	
-	86.19796	Bulkhead heat shield, upper, LH	1	Cars from 13380. (1985)
-	86.17959	Rear catalyst heat shield	2	
-	692465	Pop rivet, 1/8 in.	14	} Heat shield } fixing
-	691623	Washer, plain, 1/8 in. ID	14	
-	86.18079	Bulkhead lower heat shield - interior	1	} USA cars
-	86.18080	Front seat pan heat shield - front - interior	1	
-	86.18081	Front seat pan heat shield - rear - interior	1	
-	86.18958	Air conditioning hoses heatshield	1	
-	692005	Screw, M5 x 16	2	} Heatshield } to chassis
-	692045	Washer, spring, M5	2	



# CHASSIS AND BODY

Body - Rear  
Fuel Fillers, Stoneguards and Heatshields  
from Chassis No 13540







## CHASSIS AND BODY

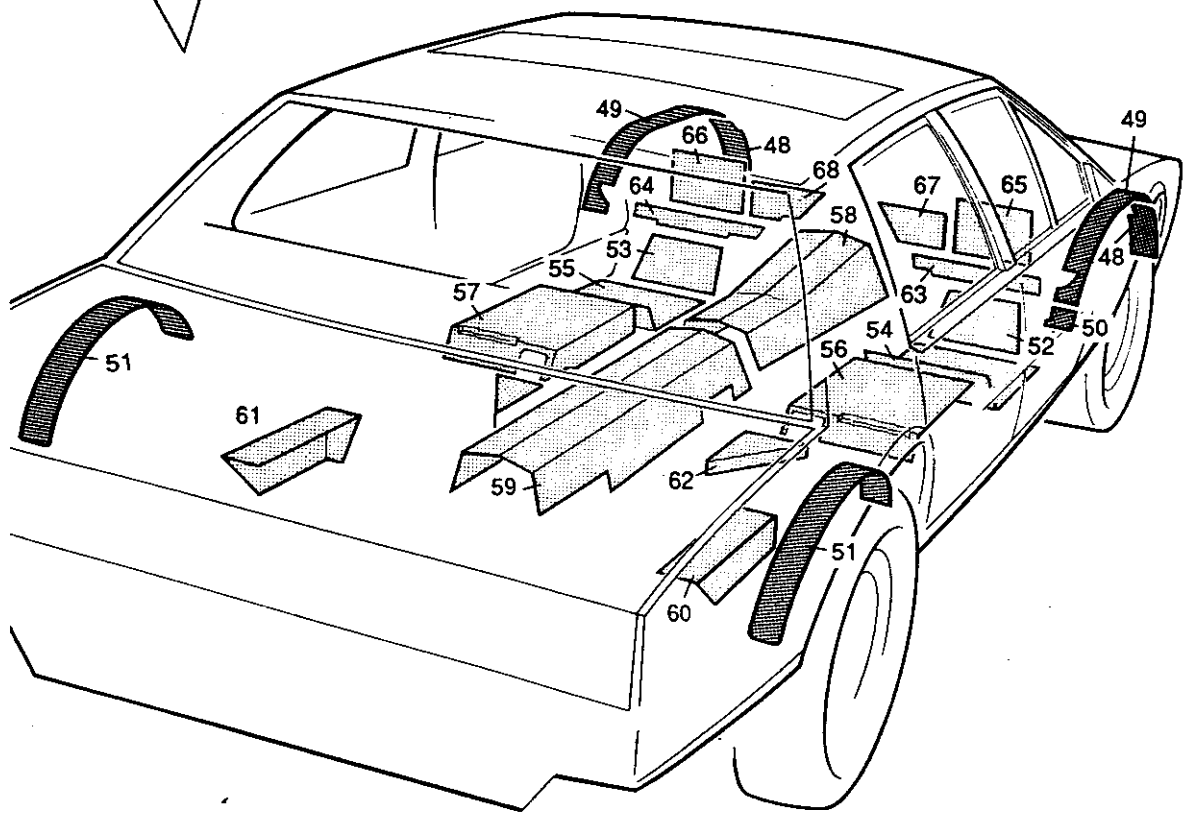
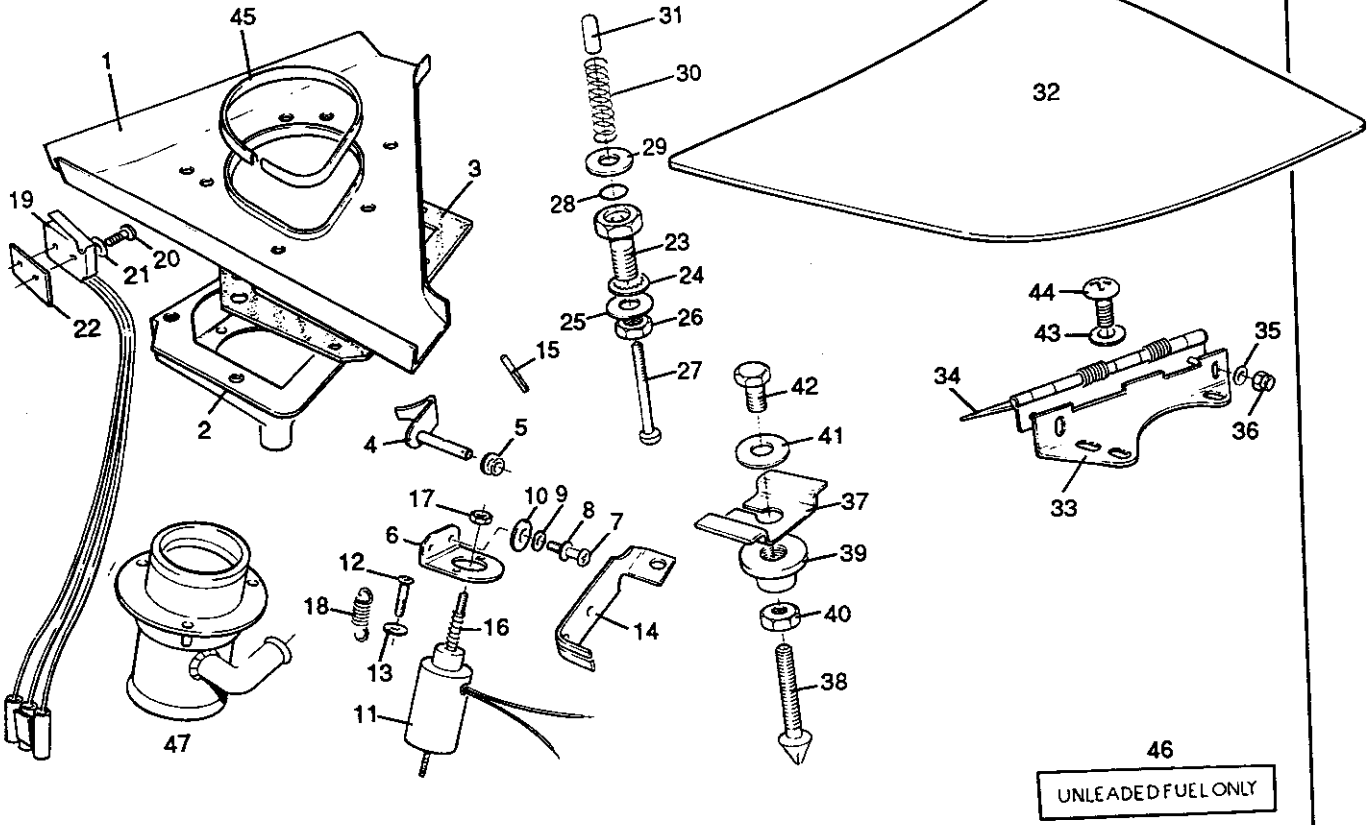
 Body - Rear  
 Fuel Filler Flaps, Stoneguards and Heatshields  
 Cars from Chassis No. 13540

Illus No.	Part Number	Description	Qty	Remarks	
-	22.23706	Drain channel, RH	1	} Part of chassis frame	
1	22.23707	Drain channel, LH	1		
-	68.23692	Fuel filler tray, RH	1	} Mounting bracket to fuel filler tray (37.52024) Solenoid to bracket	
2	68.23693	Fuel filler tray, LH	1		
3	68.23689	Gasket, tray to chassis	2		
-	68.23680	Catch, RH	1		
4	68.23681	Catch, LH	1		
5	693762	Seal	2		
6	68.23701	Mounting bracket	2		
7	693876	Screw, M3 x 12	4		
8	692043	Washer, spring, M3	4		
9	692053	Washer, plain, M3	4		
10	693875	Washer, rubber	4		
11	37.23705	Solenoid	2	} Solenoid to bracket	
12	693765	Screw, M3 x 6	4		
13	692043	Washer, spring, M3	4	} Solenoid to bracket	
-	68.23698	Operating lever, RH	1		
14	68.23697	Operating lever, LH	1	} Solenoid to operating lever	
15	693763	Pin	2		
16	693764	Spring	2		
17	692314	Nut, Nyloc, M4	2		
18	693869	Spring	2		
19	37.24196	Microswitch	2		
20	693773	Screw, 8BA x 1/2 in.	4		} Microswitch to fuel filler tray
21	691128	Washer, shakeproof, 8BA	4		
22	68.25809	Clamp plate	2		} Housing attach to drain channel
23	68.23687	Housing, microswitch plunger	2		
24	692067	Washer, shakeproof, M8	2		
25	692057	Washer, plain, M8	2		
26	692482	Nut, plain, M8	2		
27	68.23686	Plunger	2		
28	693760	O Ring	2	} Cut to length required	
29	692053	Washer, plain, M3	2		
30	693759	Spring	2	} Cut to length required	
31	68.26161	Blind nut	2		
-	-	Adhesive, nut to plunger	as reqd		
-	68.23670	Fuel filler flap, RH	1	} Hinge to filler flap mounting plate	
32	68.23671	Fuel filler flap, LH	1		
-	68.23674	Hinge mounting plate, RH	1		
33	68.23675	Hinge mounting plate, LH	1		
34	68.25487	Flap hinge	2		
-	693466	Adhesive	as reqd		
35	692054	Washer, plain, M4	4		
36	692314	Nut, Nyloc, M4	4		
37	68.25354	Cage	2		} Cage to filler flap
-	693466	Adhesive	as reqd		
38	68.23678	Catch peg	2	} Hinge to filler flap mounting plate	
39	68.23677	Catch mounting boss	2		
40	692075	Nut, plain, M5	2	} Hinge to filler flap mounting plate	
41	690257	Washer, plain, 3/16 in. ID x 3/4 in. OD	2		
42	692736	Screw, M5 x 10	2		



# CHASSIS AND BODY

Body - Rear  
Fuel Fillers, Stoneguards and Heatshields  
from Chassis No 13540





## CHASSIS AND BODY

 Body - Rear  
 Fuel Filler Flaps, Stoneguards and Heatshields  
 Cars from Chassis No. 13540

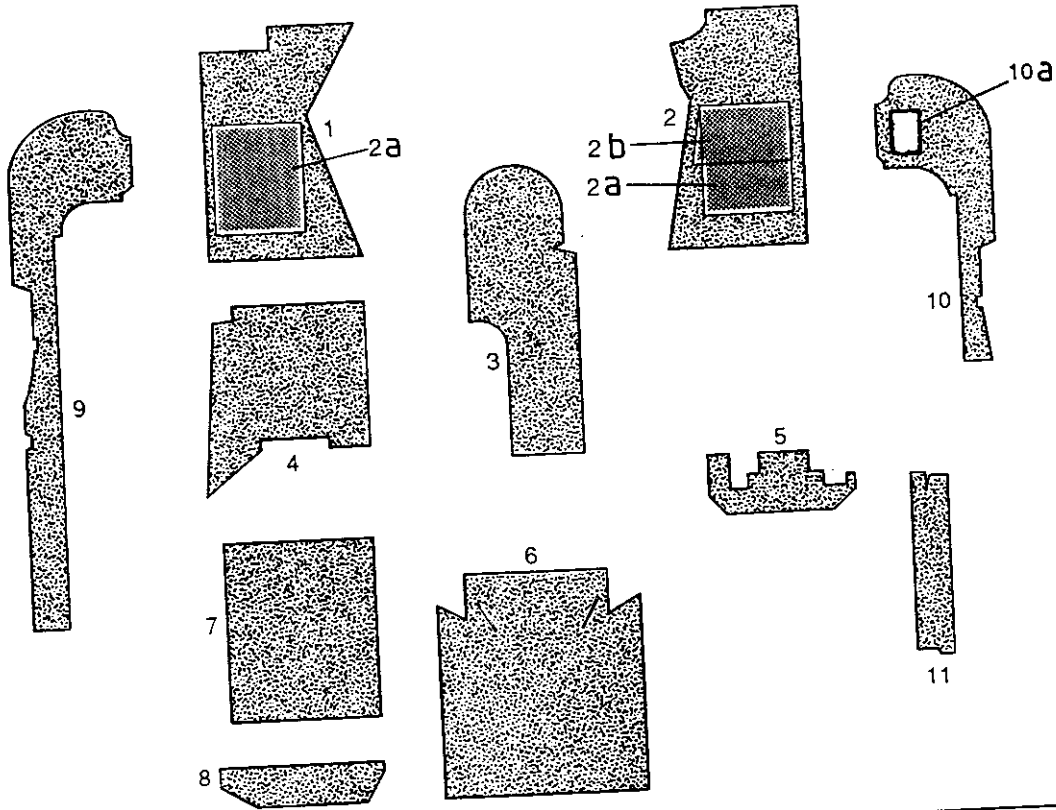
Illus No.	Part Number	Description	Qty	Remarks
43	692045	Washer, plain, M5	14	Filler trays and hinge brackets to chassis
44	692242	Screw, M5 x 12	14	
45	693770	Seal	as reqd	
46	97.53653	Label, 'Unleaded fuel only'	2	USA cars
47	-	Fuel filler necks	2	See section 2.6D
48	77.11457	Stoneguard, front, lower	2	
49	77.11455	Stoneguard, front, upper	2	
50	88.15084	Stoneguard, front, rear	1	RH side fuel line protection
-	692369	Rubber seal, lower	6ft	
-	692369	Rubber seal, upper	8ft	
-	691976	'Rivnut' 2BA	3	} Stoneguard attach
-	112189	Screw, 2BA x 1/2 in.	3	
-	591.000.0403	Washer, shakeproof, 2BA	3	
-	112422	Washer, plain, 2BA	3	
51	77.11458	Stoneguard, rear	2	
-	692369	Rubber seal, rear	10ft	
-	692088	Screw, M6 x 16	16	} Stoneguard attach
-	124383	Washer, plain, 1/4 in.	48	
-	692046	Washer, spring, M6	12	
-	692041	Hank bush, M6	16	
-	692292	'Beamnut', M6	12	
-	692038	Screw, M6 x 12	12	
52	86.13382	Bulkhead lower heat shield, RH	1	
53	86.13383	Bulkhead lower heat shield, LH	1	
54	86.11423	Front floor heat shield, RH	1	
55	86.11424	Front floor heat shield, LH	1	
56	86.11425	Seat pan heat shield, front, RH	1	
57	86.11426	Seat pan heat shield, front, LH	1	
58	86.11427	Tunnel heat shield, front	1	
59	86.11428	Tunnel heat shield, rear	1	
60	86.11429	Seat pan heat shield, rear, RH	1	
61	86.11430	Seat pan heat shield, rear, LH	1	
62	86.11896	Gusset, seat pan, tunnel	2	
63	86.13368	Bulkhead heat shield, centre, RH	1	
64	86.13369	Bulkhead heat shield, centre, LH	1	
65	86.13370	Toeboard heat shield, upper, RH	1	
66	86.13371	Toeboard heat shield, upper, LH	1	
67	86.13372	Bulkhead heat shield, upper, RH	1	
68	86.19796	Bulkhead heat shield, upper, LH	1	
-	86.17959	Rear catalyst heat shield	2	
-	692465	Pop rivet, 1/8 in.	14	} Heat shield fixing
-	691623	Washer, plain, 1/8 in. ID	14	
-	86.18079	Bulkhead lower heat shield - interior	1	} USA and Japanese cars. Swiss cars from chassis no. 13560.
-	86.18080	Front seat pan heat shield - front - interior	1	
-	86.18081	Front seat pan heat shield - rear - interior	1	
-	86.18958	Air conditioning hoses heatshield	1	
-	692005	Screw, M5 x 16	2	} Heatshield to chassis
-	692045	Washer, spring, M5	2	



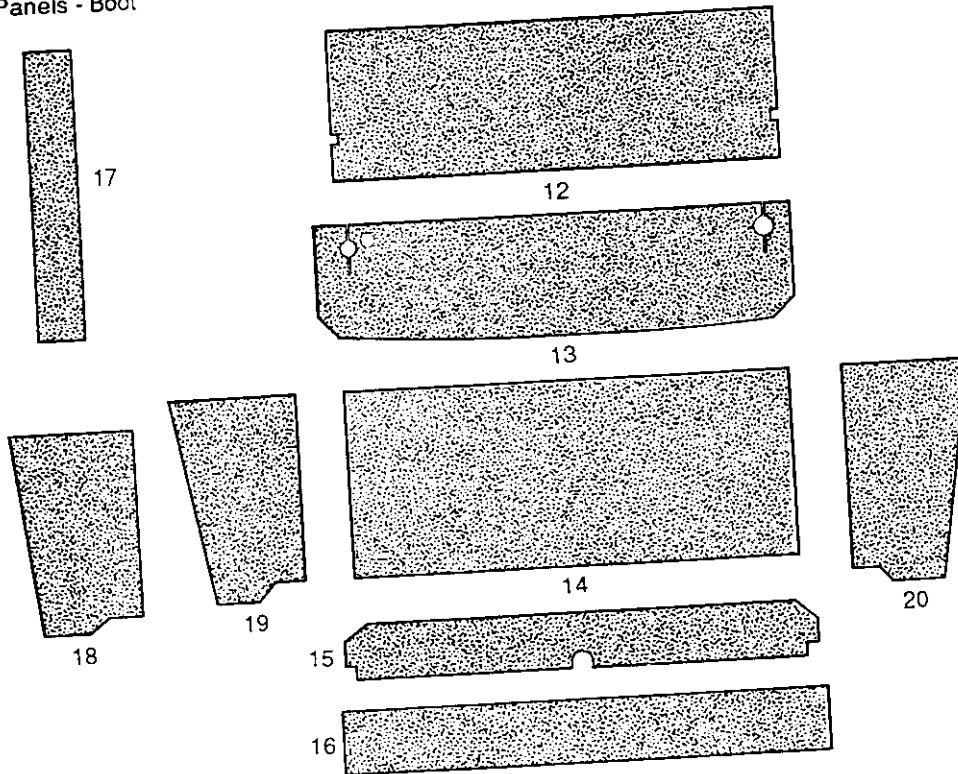
# CHASSIS AND BODY

## Body - Interior Fittings Carpets

### Carpet - Interior



### Carpet And Trim Panels - Boot

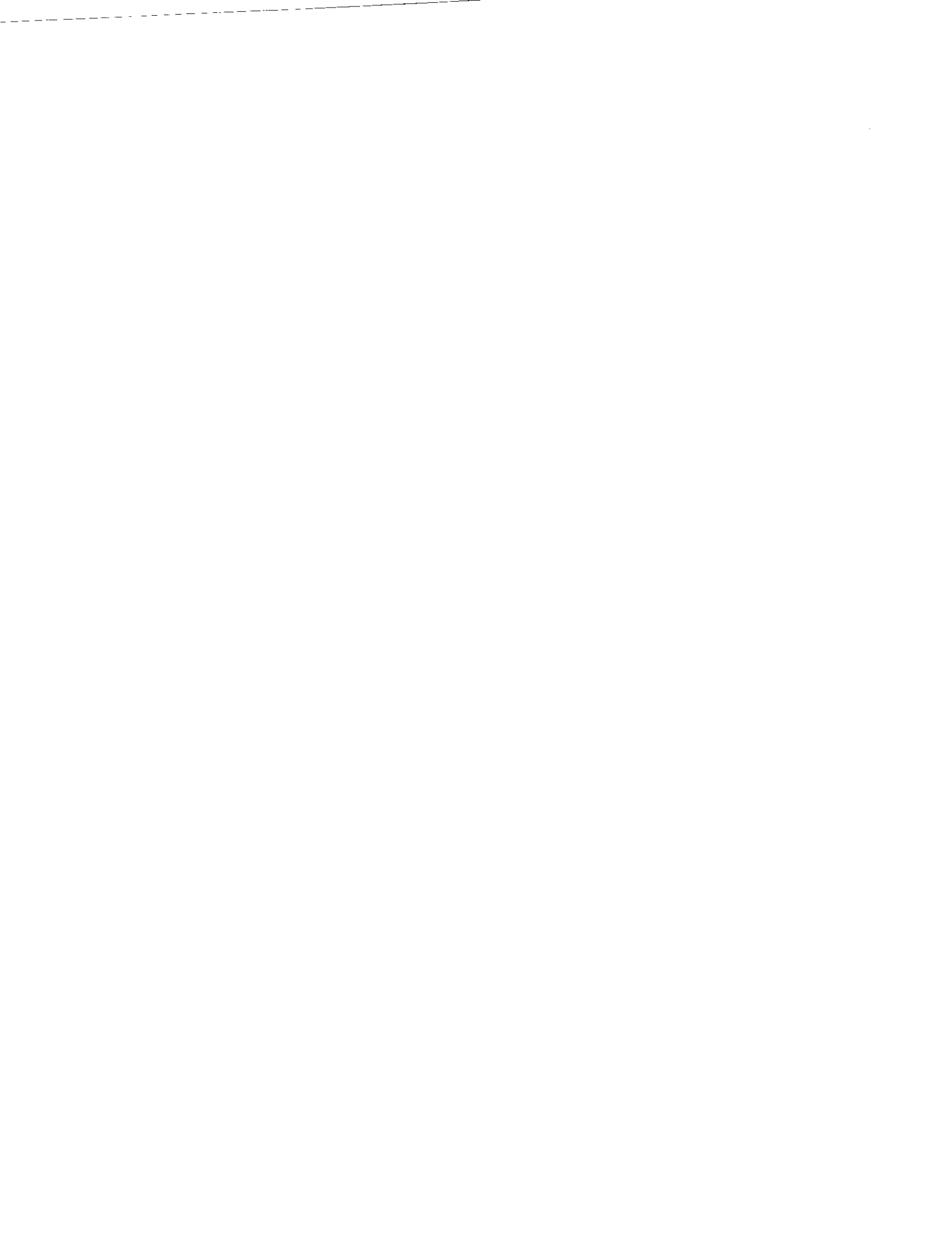




## CHASSIS AND BODY

Body - Interior Fittings  
Carpets

Illus No.	Part Number	Description	Qty	Remarks
<b>Note:</b> Part numbers for carpets are quoted for reference only. Advise carpet and binding colour, chassis no. and year of car when ordering. Special order.				
<b>CARPETS - INTERIOR</b>				
1	83.15097	Front footwell, LH	1	RHD
-	83.15096	Front footwell, RH	1	LHD
2	83.15094	Front footwell, RH	1	RHD
-	83.15095	Front footwell, LH	1	LHD
2A	83.18763	Rubber under-carpet mat, front footwell	2	
2B	83.16021	Heel mat, leather, front footwell carpet RH	1	RHD
-	83.16022	Heel mat, leather, front footwell carpet LH	1	LHD
-	110956	Pronged ring	as reqd	} Front footwell carpets fixings
-	110957	Socket, clinch type	as reqd	
-	110878	Stud	as reqd	
3	83.15104	Side of gearbox, RH	1	
-	83.15105	Side of gearbox, LH	1	
4	83.15107	Front seat pan, LH	1	
-	83.15106	Front seat pan, RH	1	
5	83.15108	Front seat, rear, RH	1	
-	83.15109	Front seat, rear, LH	1	
6	83.15113	Rear tunnel	1	
7	83.15110	Rear seat pan	2	
8	83.15112	Rear seat squab, LH	1	
-	83.15111	Rear seat squab, RH	1	
9	83.15101	Sill, LH, complete	1	RHD
-	83.15100	Sill, RH, complete	1	LHD
10	83.15098	Sill, RH, forward portion	1	RHD
10A	83.19469	Chafing pad, leather	1	RHD only
-	83.15099	Sill, LH, forward portion	1	LHD
11	83.15102	Sill, RH, rear portion	1	RHD
-	83.15103	Sill, LH, rear portion	1	LHD
<b>CARPET AND TRIM PANELS - BOOT INTERIOR</b>				
12	83.14846	Boot lid	1	} Cars to chassis no. 13539
-	83.17121	Boot lid	1	
-	83.24158	Boot lid	1	
13	83.14194	Rear bulkhead, fuel tank board	1	RHD } Early cars with
-	83.14856	Rear bulkhead, fuel tank board	1	LHD } electric radio aerial
-	83.19056	Rear bulkhead, fuel tank board, cars with roof aerial	1	RHD/LHD. Cars from chassis no. 13284. (1983)
-	83.24014	Rear bulkhead, fuel tank board	1	Cars from chassis no. 13540
14	83.14850	Boot floor	1	
15	83.14847	Lock platform	1	
-	83.24221	Lock platform	1	Cars from chassis no. 13540
16	83.14843	Leather drain channel, backlight	1	
17	83.14842	Leather drain channel, side	2	
18	83.14840	Vynide, boot side, LH	1	
-	83.14839	Vynide, boot side, RH	1	
19	83.14854	Boot side panel, LH	1	RHD } Cars
-	83.14855	Boot side panel, LH	1	LHD } up to
20	83.14848	Boot side panel, RH	1	RHD } chassis no.
-	83.14849	Boot side panel, RH	1	LHD } 13539
-	83.24017	Jack cover	1	} Cars from chassis no. 13540
-	83.24022	Trim board, side, RH	1	





## CHASSIS AND BODY

## Body - Interior Fittings

Illus No.	Part Number	Description	Qty	Remarks
-	74.17320	Head restraint	2	} Cars to } 1983 } From chassis no. } 13284. (1983)
-	74.17321	Strap-on cushion	2	
-	74.18815	Head restraint	2	
-	74.18819	Strap-on cushion	2	
-	097.074.0017	Tube, head restraint to seats	2	
-	74.11231	Front seat back adjuster assembly, 3 part	2	
-	96.15916	Motor	2	
-	74.11230	Front seat slider mechanism	2	
-	96.15909	Motor	2	
-	96.15910	Motor	2	
-	96.15911	Screw, short	4	} Motors to } slider mechanism
-	96.15912	Screw, long	2	
-	96.15913	Washer	6	
-	96.15914	Spacer tube	2	
-	80.11836	Seat belt, front, RH	1	} Early } cars
-	80.11837	Seat belt, front, LH	1	
-	80.11838	Seat belt, rear	2	
-	80.12372	Seat belt, front, RH	1	
-	80.12373	Seat belt, front, LH	1	} Black webbing
-	80.12374	Seat belt, rear	2	
-	80.16913	Seat belt, front, RH	1	} Cars } from 1981
-	80.16914	Seat belt, front, LH	1	
-	80.16915	Seat belt, rear	2	
-	80.16916	Seat belt, front, RH	1	
-	80.16917	Seat belt, front, LH	1	} Brown webbing
-	80.16918	Seat belt, rear	2	
-	80.17812	Seat belt, front, RH	1	} Black } webbing
-	80.17813	Seat belt, front, LH	1	
-	80.17814	Seat belt, rear	2	
-	80.19645	Seat belt, rear	2	
-	80.17815	Seat belt, front, RH	1	} USA cars
-	80.17816	Seat belt, front, LH	1	
-	80.17817	Seat belt, rear	2	} USA cars
-	80.19646	Seat belt, rear	2	
-	80.26094	Seat belt, front, RH	1	} From approx. } chassis no. } 13602.
-	80.26093	Seat belt, front, LH	1	
-	80.26095	Seat belt, rear	2	
-	80.26096	Seat belt, rear	2	} USA/ Japan } Mid. 1989
-	692648	Bolt, domed head, 7/16 in. UNF x 1.3/4 in.	1	
-	692649	Spacer, 12.7 mm thick	1	} Passenger's seat belt } lower outer anchorage point
-	80.14504	Tread plate, inner, front door, RH	1	
-	80.14505	Tread plate, inner, front door, LH	1	RHD
-	80.14002	Tread plate, inner, front door, RH	1	LHD
-	80.14003	Tread plate, inner, front door, LH	1	RHD
-	627.000.0608	Screw, No. 6 x 1 in.	6	3 per finisher
-	80.14000	Tread plate, inner, rear door, RH	1	
-	80.14001	Tread plate, inner, rear door, LH	1	
-	627.000.0603	Screw, No. 6 x 3/8 in.	2	
-	627.000.0608	Screw, No. 6 x 1 in.	4	
-	80.15765	Retainer, tread plate, rear doors	2	
-	80.14834	Finisher, sill rubber, front door	2	} Up to chassis no. } 13539. Refer to } section 7.7A.2 } for later items
-	80.14835	Finisher, sill rubber, rear door	2	
-	582.000.2824	Pop rivet, 1/8 in. countersunk	18	
-	012016	Sill rubber, fluted	as reqd	5 per front, 4 per rear





**AIR CONDITIONING**

**Contents**

**AIR CONDITIONING**

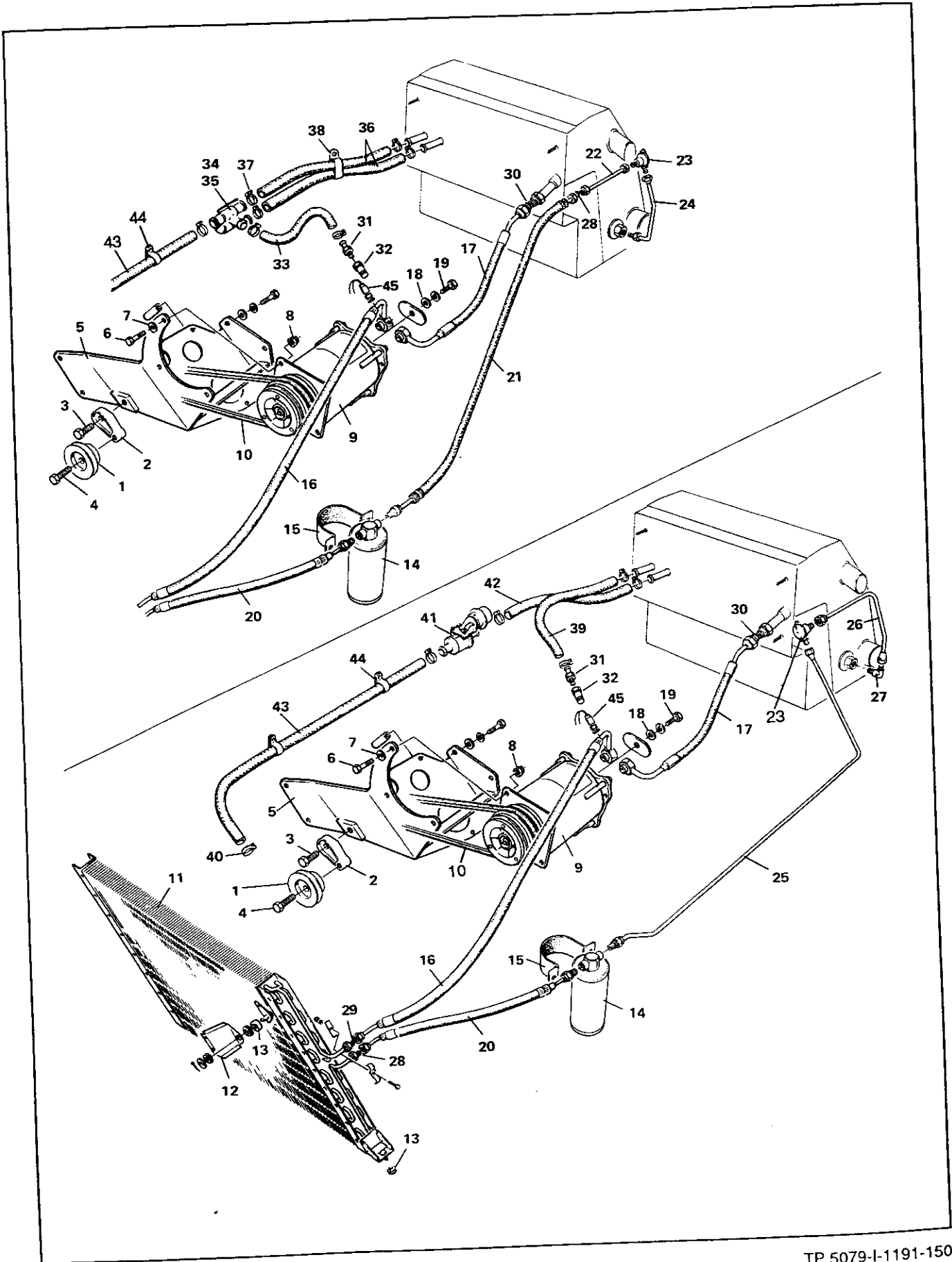
**8**



**SECTION 8**  
**AIR CONDITIONING**

# AIR CONDITIONING

Carburettor Cars  
Without Rear Air-Conditioning





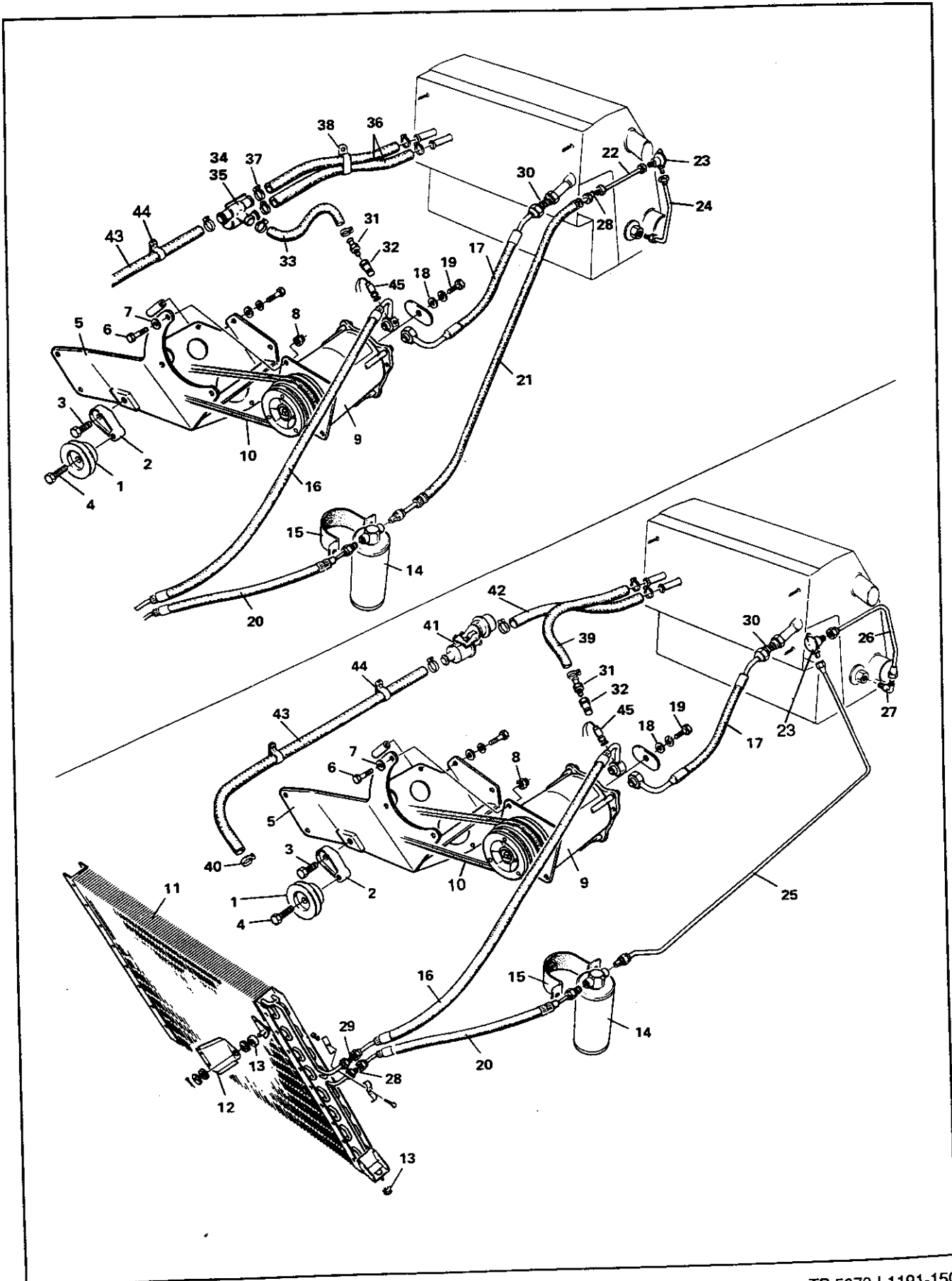
# AIR CONDITIONING

## Early Compressor Systems Carburettor Cars Without Rear Air Conditioning

Illus No.	Part Number	Description	Qty	Remarks	
1	095.089.0089	Jockey pulley	1	} Jockey pulley	
2	095.089.0090	Mounting arm	1		
3	520810	Bolt, 1/2 in. UNF x 1.1/4 in.	1		
-	119484	Washer, spring, 1/2 in.	1		
-	119474	Washer, plain, 1/2 in.	1		
4	095.089.0094	Spindle	1		
-	125442	Ball bearing	2		
-	080.050.0188	Spacer	1		
-	111744	Circlip	1		
5	89.10912	Compressor mounting bracket assembly	1		} Later compressor - metric fixings
6	692087	Setscrew, M8 x 20	3		
7	692057	Washer, plain, M8	6		
8	692135	Nut, M8	3		
-	692202	Setscrew, M10 x 30	2		
-	692058	Washer, plain, M10	2		
-	692048	Washer, spring, M10	2		
9	89.14622	Compressor	1	Later cars - metric fixing	
10	-	Belt, compressor	1	See section 1.4B	
11	89.11078	Condenser, air conditioning	1	} Brackets to chassis	
-	89.11526	Condenser mounting bracket assembly, RH	1		
12	89.11527	Condenser mounting bracket assembly, LH	1		
13	692266	Grommet, condenser mounting	4		
-	692270	Self adhesive foam strip, 80mm x 12mm x 6mm	2		Use part no.691780,3mm thick
-	692262	Screw, hexagonal head, M6 x 12	4		
-	692046	Washer, spring, M6	4		
-	692056	Washer, plain, M6	4		
14	89.11509	Receiver/drier	1		
-	080.034.0113	Skinned sponge rubber, 160mm long	1		
-	691977	Adhesive	as reqd	} Receiver/drier	
15	89.11549	Bracket, mounting	1		
-	055.076.0024	Rubber strip, 190mm long	1	} Bracket to chassis	
-	691977	Adhesive	as reqd		
-	692262	Screw, hexagonal head, M6 x 12	2	} Bracket to chassis	
-	692056	Washer, plain, M6	2		
-	692046	Washer, spring, M6	2		
16	89.11221	Hose, compressor to condenser	1	} Early compressor	
17	89.15698	Hose, compressor to bulkhead	1		
-	119482	Washer, spring, 3/8 in.	1		
-	520614	Bolt, 3/8 in. UNF x 1.3/4 in.	1	} Later compressor	
-	692048	Washer, spring, M10	1		
18	692058	Washer, plain, M10	1		
19	692516	Bolt, hexagonal head, M10 x 45	1	} Early RHD	
20	89.11223	Hose, condenser to receiver/drier	1		
21	89.11222	Hose, receiver/drier to bulkhead	1		
22	89.13073	Pipe, hose to expansion valve	1	} Early RHD	
-	020.037.0182	Grommet, pipe through bulkhead	1		
23	89.11842	Expansion valve	1		
24	89.13065	Pipe, expansion valve to unit	1	Early RHD	
-	89.15725	Pipe assembly, drier to expansion valve	1	LHD	
25	89.16439	Pipe assembly, drier to expansion valve	1	Later RHD	
-	692209	'P' clip, 3/8 in. nylon	2		
-	627.000.0803	Screw, No 8 x 3/8 in. self tap	2		

# AIR CONDITIONING

Carburettor Cars  
Without Rear Air-Conditioning





## AIR CONDITIONING

### Early Compressor Systems Carburettor Cars Without Rear Air Conditioning

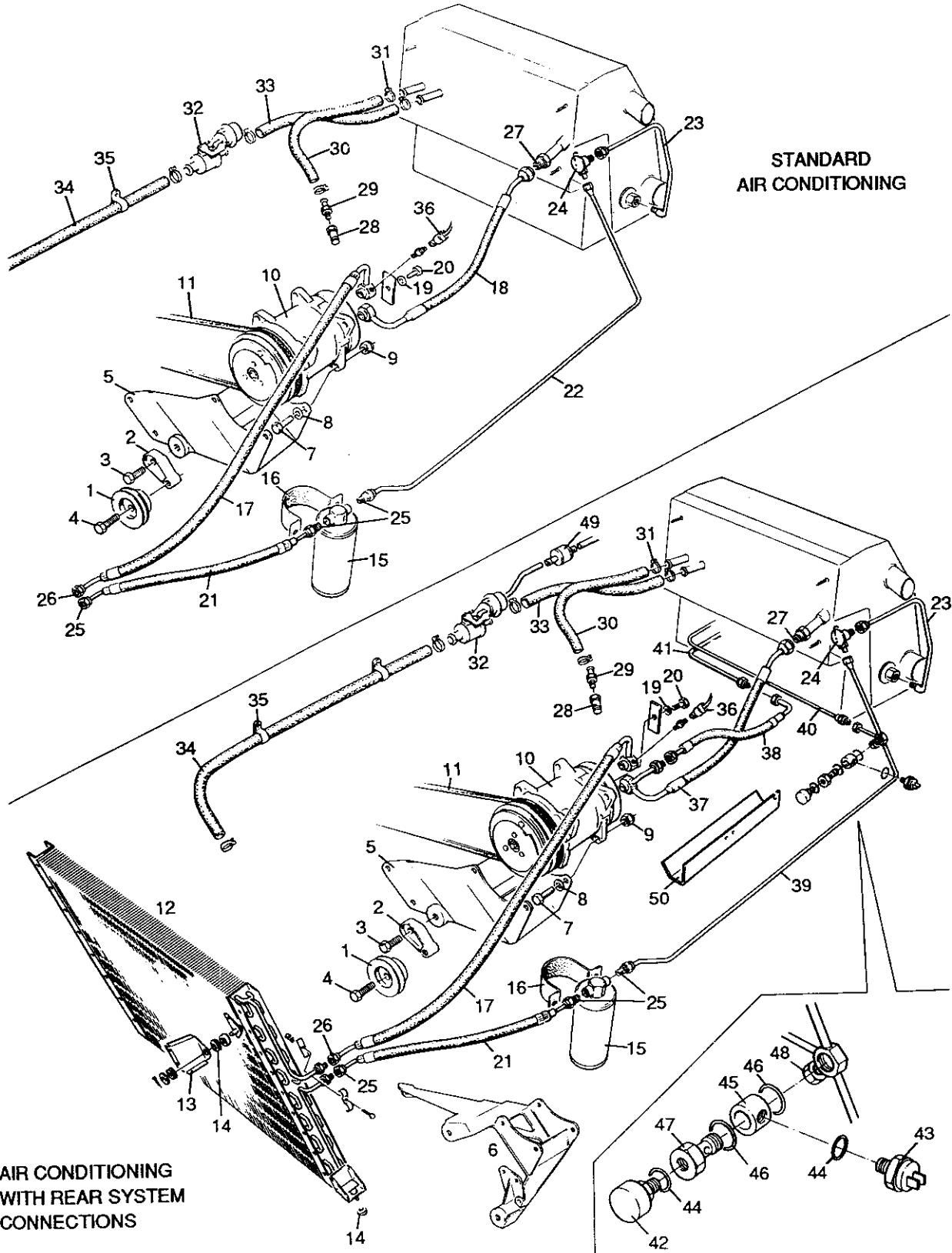
Illus No.	Part Number	Description	Qty	Remarks
26	89.15699	Pipe, expansion valve to adaptor	1	LHD and later RHD
-	020.037.0182	Grommet, pipe through bulkhead	1	
-	692004	Silicone sealant	as reqd	Grommet to pipe
27	89.15700	Adaptor	1	LHD and later RHD
28	692268	'O' ring, small, No. 011	4	
29	692269	'O' ring, medium, No. 013	1	
30	095.089.0112	'O' ring	1	
-	691787	Clip, pipe, plastic	3	
31	077.008.0123	Adaptor, water heater	1	
-	119500	Washer, fibre, 3/8 in. BSP	1	Adaptor to cyl. head adaptor
32	06.11568	Cylinder head adaptor	1	
33	89.11581	Hose	1	Cylinder head to water valve
34	89.11390	Water valve, 4 outlet	1	
35	89.11580	Mounting bracket	1	
-	692262	Screw, M6 x 12	3	} Bracket } fixing
-	692096	Washer, spring, M6	3	
-	020.037.0788	Tee	1	Up to chassis no. 13057
-	692546	Vacuum tubing	as reqd	
36	89.14412	Hose	2	Water heater to valve
37	691024	Hose clip, 20 - 32 mm	8	
38	89.14648	'P' clip	1	
39	89.18664	Hose	1	Adaptor to heater
40	691024	Hose clip, 20 - 32 mm	6	
41	89.16160	Water valve, 2 outlet	1	From chassis no. 13058
-	692546	Vacuum tubing	as reqd	
42	89.16162	Hose	1	Heater valve to heater
-	89.14648	'P' clip	1	Heater hose to side member
-	691787	Clip, cable, plastic	2	Hoses
43	691919	Hose	6 feet	Heater valve to bottom hose
44	069.032.0138	'P' clip	2	Heater hose to side member
-	692090	Screw, hexagonal head, M5 x 12	2	'P' clip attachment
-	692045	Washer, spring, M5	2	'P' clip attachment
45	37.16540	Cut-in switch	1	Electric radiator fans

# AIR CONDITIONING

Later Compressor Systems  
Carburettor Cars



From Approximately Chassis No. 13102



STANDARD  
AIR CONDITIONING

AIR CONDITIONING  
WITH REAR SYSTEM  
CONNECTIONS





**AIR CONDITIONING**

**Later Compressor Systems  
Carburettor Cars  
From Approx. Chassis No. 13102**

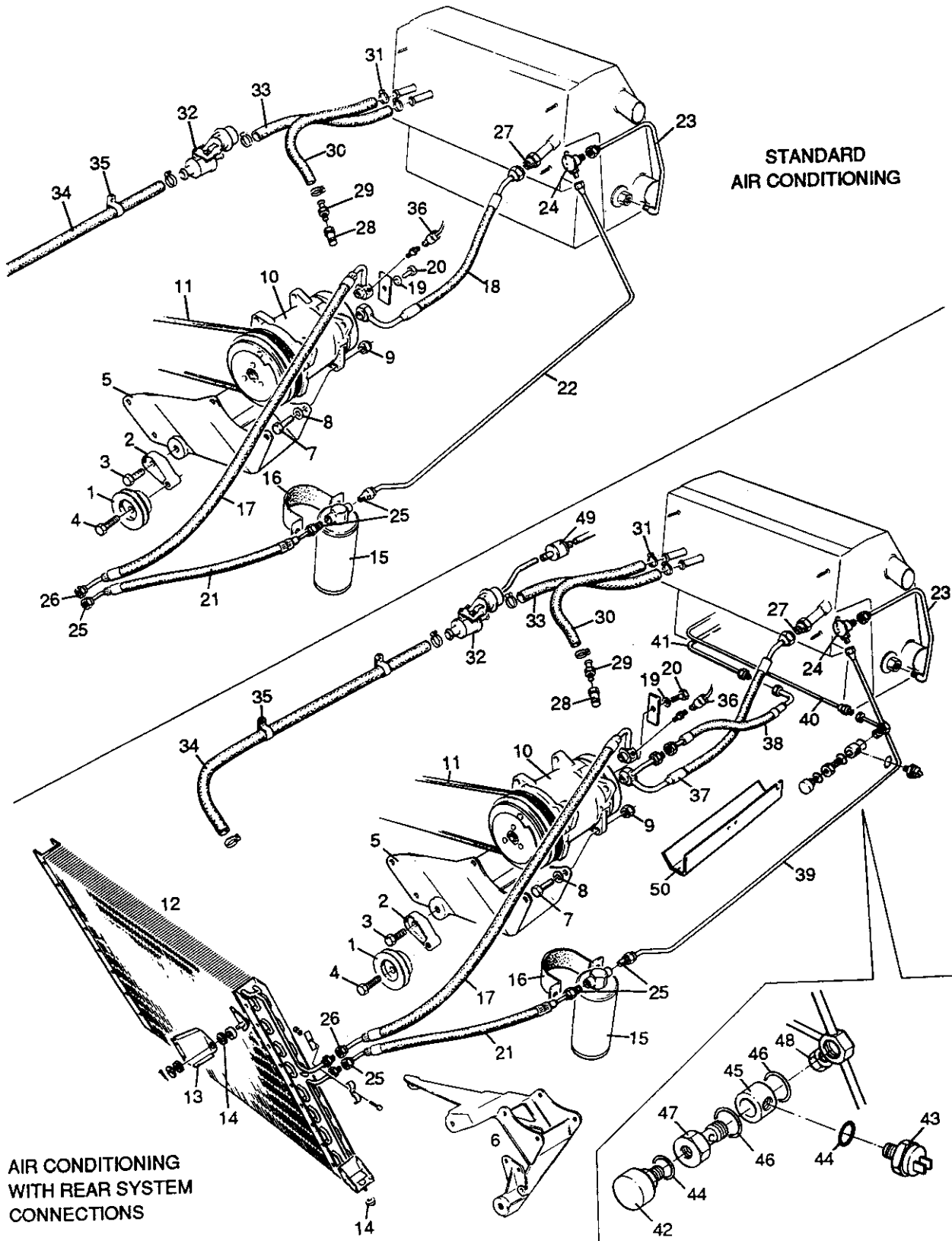
Illus No.	Part Number	Description	Qty	Remarks
1	095.089.0089	Jockey pulley		} Jockey pulley
2	095.089.0090	Mounting arm	1	
3	520810	Bolt, 1/2 in. UNF x 1.1/4 in.	1	
-	119484	Washer, spring, 1/2 in.	1	
-	119474	Washer, plain, 1/2 in.	1	
4	095.089.0094	Spindle	1	
-	89.17952	Spindle	1	
-	125442	Ball bearing	1	
-	080.050.0188	Spacer	2	
-	89.17953	Spacer	1	
-	111744	Circlip	1	Emission control cars
5	89.16585	Compressor mounting bracket assembly	1	Emission control cars
6	89.17916	Compressor mounting bracket assembly	1	Emission control cars
7	692708	Setscrew, M10 x 35	1	Emission control cars
8	692058	Washer, plain, M10	4	} Compressor to mounting bracket
9	692034	Nut, Nyloc, M10	4	
10	89.16812	Compressor and clutch assembly	4	
-	89.13086	Clutch, 5.1/4 in.	1	
-	694885	'O' Ring for hoses	1	
-	89.17711	Compressor oil filler plug	2	
-	692713	Plug 'O' Ring	1	
11	-	Belt, compressor	1	
12	89.11078	Condenser, air-conditioning	1	See section 1.4B
-	89.11526	Condenser mounting bracket assembly, RH	1	
13	89.11527	Condenser mounting bracket assembly, LH	1	
14	692266	Grommet, condenser mounting	1	
-	692270	Self adhesive foam strip, 80mm x 12mm x 6mm	4	
-	692262	Screw, hexagonal head, M6 x 12	2	Use part no.691780,3mm thick
-	692046	Washer, spring, M6	4	} Brackets to chassis
-	692056	Washer, plain, M6	4	
15	89.11509	Receiver/drier	4	
-	080.034.0113	Skinned sponge rubber, 160mm long	1	
-	691977	Adhesive	1	
16	89.11549	Bracket, mounting	as reqd	
-	055.076.0024	Rubber strip, 190mm long	1	Receiver/drier
-	692262	Screw, hexagonal head, M6 x12	1	
-	692056	Washer, plain, M6	2	} Bracket to chassis
-	692046	Washer, spring, M6	2	
17	89.17190	Hose, compressor to condenser	2	
18	89.15698	Hose, compressor to bulkhead	1	
-	89.19508	Hose, compressor to bulkhead	1	Early cars
-	89.17148	Hose, compressor to bulkhead	1	RHD
-	89.17237	Hose, compressor to bulkhead	1	LHD
-	89.17236	Plug	1	} To blank off unused pipe on later cars
-	89.17236	Insert	1	
-	692667	Nut	1	
19	119482	Washer, spring, 3/8 in.	1	} Later cars from Mid. 1982
20	530613	Bolt, 3/8 in. UNF x 1.5/8 in.	1	
21	89.11223	Hose, condenser to receiver/drier	1	Pipes to compressor
22	89.16439	Pipe assembly, receiver/drier to expansion valve	1	Pipes to compressor
-	89.16822	Pipe assembly, receiver/drier to expansion valve	1	RHD
-	692209	'P' clip, 3/8 in. nylon	1	LHD
-	627.000.0803	Screw, No 8 x 3/8 in.	2	
			2	

# AIR CONDITIONING

Later Compressor Systems  
Carburettor Cars



From Approximately Chassis No. 13102



STANDARD  
AIR CONDITIONING

AIR CONDITIONING  
WITH REAR SYSTEM  
CONNECTIONS



**AIR CONDITIONING**

**Later Compressor Systems**

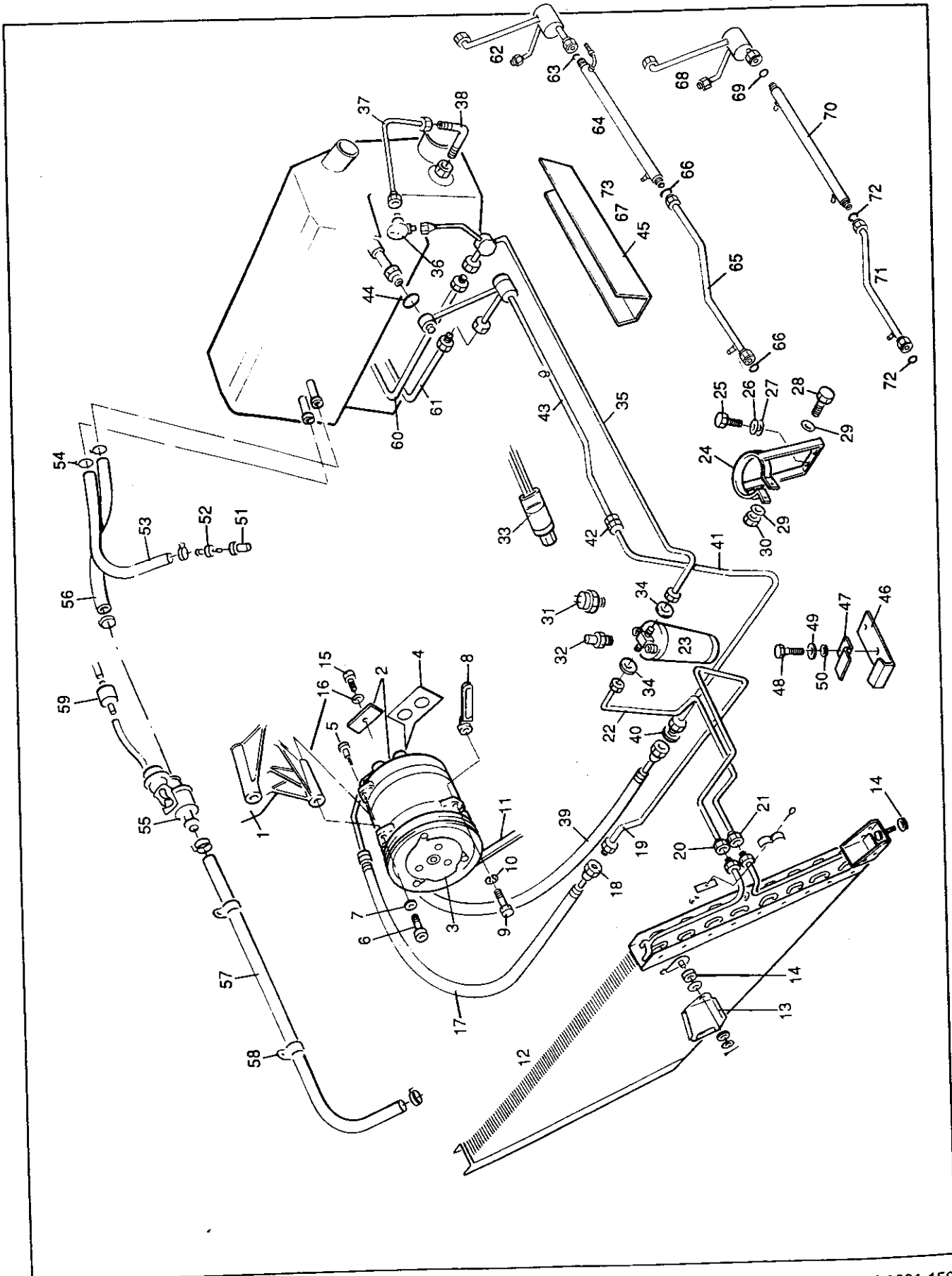
**Carburettor Cars**

**From Approx. Chassis No. 13102**

Illus No.	Part Number	Description	Qty	Remarks
23	89.16424	Pipe, expansion valve to main unit	1	RHD
-	89.20233	Pipe, expansion valve to right-angled adaptor	1	RHD from chassis no. 13380
-	89.16815	Pipe, expansion valve to right-angled adaptor	1	LHD
-	89.15700	Adaptor, right-angled, to air-conditioning unit	1	LHD. On RHD also from chassis no. 13380. (1985)
-	020.037.0182	Grommet, pipe through bulkhead	1	
-	692004	Silicone sealant	as reqd	Grommet to pipe
24	89.11842	Expansion valve	1	
25	692268	'O' ring, small, No. 011	3	
26	692269	'O' ring, medium, No. 013	1	
27	095.089.0112	'O' ring	1	
-	691787	Clip, pipe, plastic	3	
28	06.11568	Cylinder head adaptor	1	
29	077.008.0123	Adaptor, water heater	1	
-	119500	Washer, fibre, 3/8 in. BSP	1	
30	89.18664	Hose	1	
31	691024	Hose clip, 20 - 32 mm	1	Adaptor to heater
32	89.16160	Water valve	6	
-	692546	Tubing, vacuum	1	
33	89.16162	Hose	as reqd	
-	89.14648	'P' clip	1	Heater valve to heater
-	691787	Clip, hoses, plastic	1	Heater hose to side member
34	691919	Hose	2	
35	069.032.0138	'P' Clip	6 feet	Heater valve to bottom hose
-	692090	Screw, hexagonal head, M5 x 12	2	Heater hose to side member
-	692045	Washer, spring, M5	2	'P' clip attachment
36	37.16540	Cut-in switch	2	'P' clip attachment
-	89.17148	Hose, compressor to bulkhead	1	Electric radiator fans
37	89.19508	Hose, compressor to bulkhead	1	LHD
38	89.17147	Hose, compressor to tunnel pipe	1	RHD
39	89.17712	Pipe assembly, drier/receiver to expansion valve	1	
-	89.17149	Pipe assembly, drier/receiver to expansion valve	1	Later RHD from Nov. 1981
40	89.17145	Pipe assembly, high pressure	1	LHD and early RHD
41	89.17146	Pipe assembly, low pressure	1	Along tunnel
-	692268	'O' ring, small, No. 011	1	Along tunnel
-	692269	'O' ring, medium, No. 013	2	
42	89.17709	Pressure switch, high pressure	3	
43	89.17708	Pressure switch, low pressure	1	
44	692713	'O' ring	1	} From chassis no. 13180.
-	37.17706	Switches lead link, brown/black	2	
45	89.18216	Banjo, pressure switch	1	} March 1982.
46	692742	'O' ring, No. 015	1	
47	89.18215	Banjo bolt, pressure switch	2	} From the end of 1982
48	89.17711	Blanking plug	1	
-	692713	'O' ring	1	
49	07.15226	Vacuum, delay valve	1	Yellow/black
50	86.18958	Heatshield, air-conditioning hoses	1	
-	692005	Bolt, M5 x 16	1	} USA cars
-	692045	Washer, spring, M5	2	
		Heatshield fixing	2	

# AIR CONDITIONING

## E.F.I. Compressor System





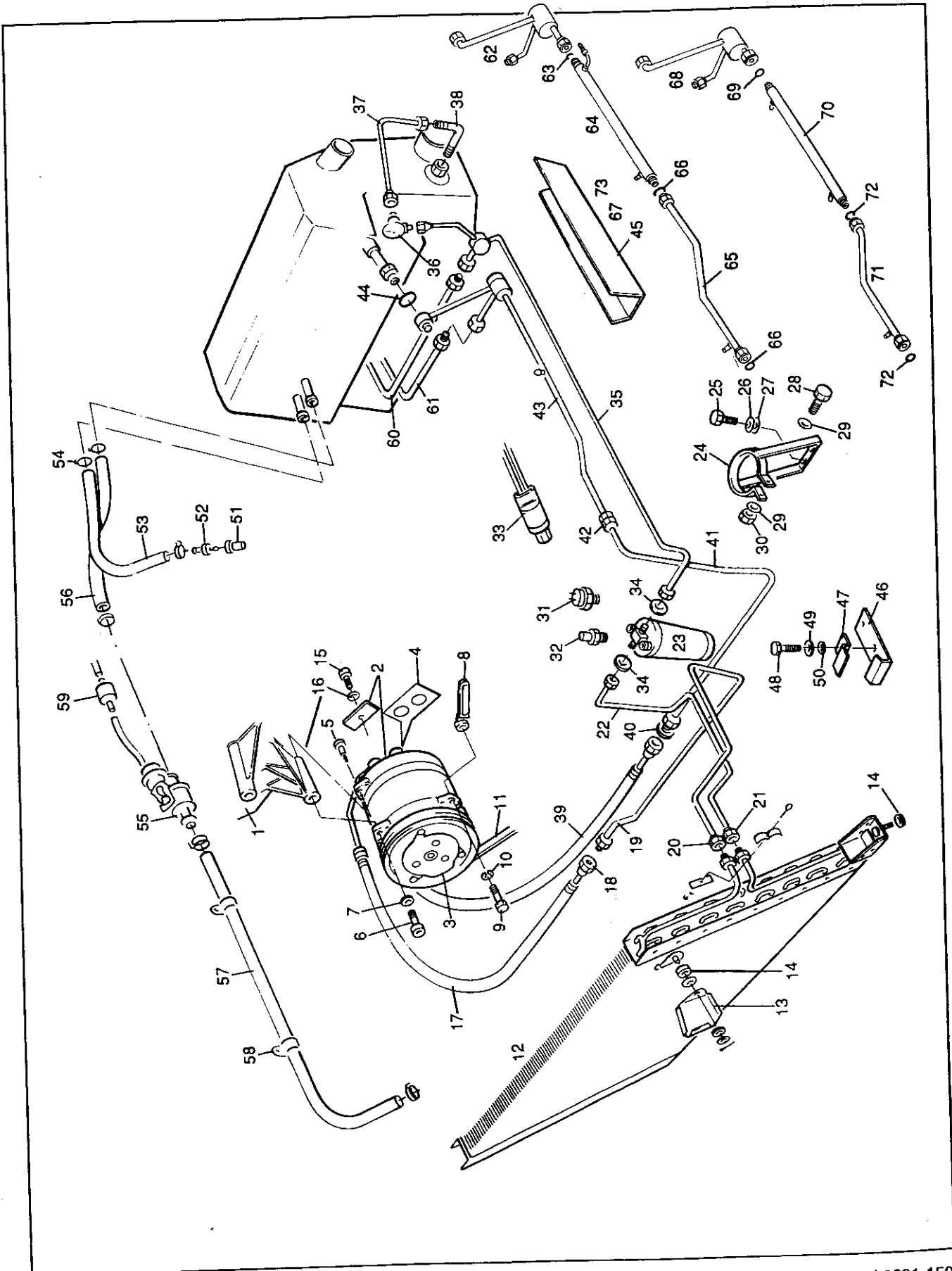
## AIR CONDITIONING

## EFI Compressor System

Illus No.	Part Number	Description	Qty	Remarks
1	-	Front cover, RH, 'A' Bank		
-	89.17711	Compressor oil filler plug	1	See section 1.3
-	692713	Plug 'O' Ring	1	
2	07.21018	Compressor and clutch assembly	1	
3	89.13086	Clutch, 5.1/4 in.	1	
4	694885	'O' Ring for hoses	1	
5	693171	Bolt, socket head, shoulder, M8	2	
6	693258	Screw, socket head, M10 x 40	1	} Compressor to front cover RH
7	692058	Washer, plain, M10	1	
8	89.21076	Adjusting link	1	
9	692185	Screw, M10 x 25	1	} Adjusting link to compressor
10	692048	Washer, spring, M10	1	
11	-	Belt, compressor	1	} See section 1.4B
12	89.11078	Condenser, air-conditioning	1	
-	89.11526	Condenser mounting bracket assembly, RH	1	} Cars to chassis no. 13539
13	89.11527	Condenser mounting bracket assembly, LH	1	
-	89.22369	Condenser mounting bracket assembly, RH	1	} Cars from chassis no. 13540
-	89.22370	Condenser mounting bracket assembly, LH	1	
14	692266	Grommet, condenser mounting	1	
-	692270	Self adhesive foam strip, 80mm x 12mm x 6mm	4	
-	692262	Screw, hexagonal head, M6 x 12	2	Use part no.691780,3mm thick
-	692046	Washer, spring, M6	4	
-	692056	Washer, plain, M6	4	} Brackets to chassis
15	530613	Bolt, 3/8 in. UNF x 1.5/8 in.	4	
16	119482	Washer, spring, 3/8 in.	1	} Compressor hoses to compressor
17	89.21650	Hose assembly	1	
18	692269	'O' Ring, medium, No. 013	1	} Compressor to condenser
19	89.21671	Pipe assembly	1	
20	692269	'O' Ring, medium, No. 013	1	
21	692268	'O' Ring, small, No. 011	1	
22	89.21476	Pipe assembly	1	
23	89.21367	Receiver/drier	1	Condenser to receiver/drier
-	080.034.0113	Skinned sponge rubber, 160mm long	1	
-	691977	Adhesive	1	
24	89.21634	Bracket, mounting	as reqd	
25	692005	Screw, M5 x16	1	} Receiver/drier
26	692045	Washer, spring, M5	2	
27	692055	Washer, plain, M5	2	} Bracket to chassis
28	692287	Screw, M5 x 30	2	
29	692055	Washer, plain, M5	1	} Bracket closing
30	692800	Nut, Nyloc, M5	2	
31	89.21368	Binary pressure switch	1	
32	89.21369	Charge port	1	
33	37.16540	Cut-in switch	1	
34	692268	'O' Ring, small, No. 011	1	Electric radiator fans
35	89.21714	Pipe assembly, receiver/drier to expansion valve	2	
-	89.21715	Pipe assembly, receiver/drier to expansion valve	1	RHD
-	692209	'P' clip, 3/8 in. nylon	1	LHD
-	627.000.0803	Screw, No 8 x 3/8 in.	2	
36	89.11842	Expansion valve	2	
37	89.22314	Pipe, expansion valve to right-angled adaptor	1	
-	89.22229	Pipe, expansion valve to right-angled adaptor	1	RHD
38	89.15700	Adaptor, right-angled, to air-conditioning unit	1	LHD

# AIR CONDITIONING

## E.F.I. Compressor System



## AIR CONDITIONING

## EFI Compressor System



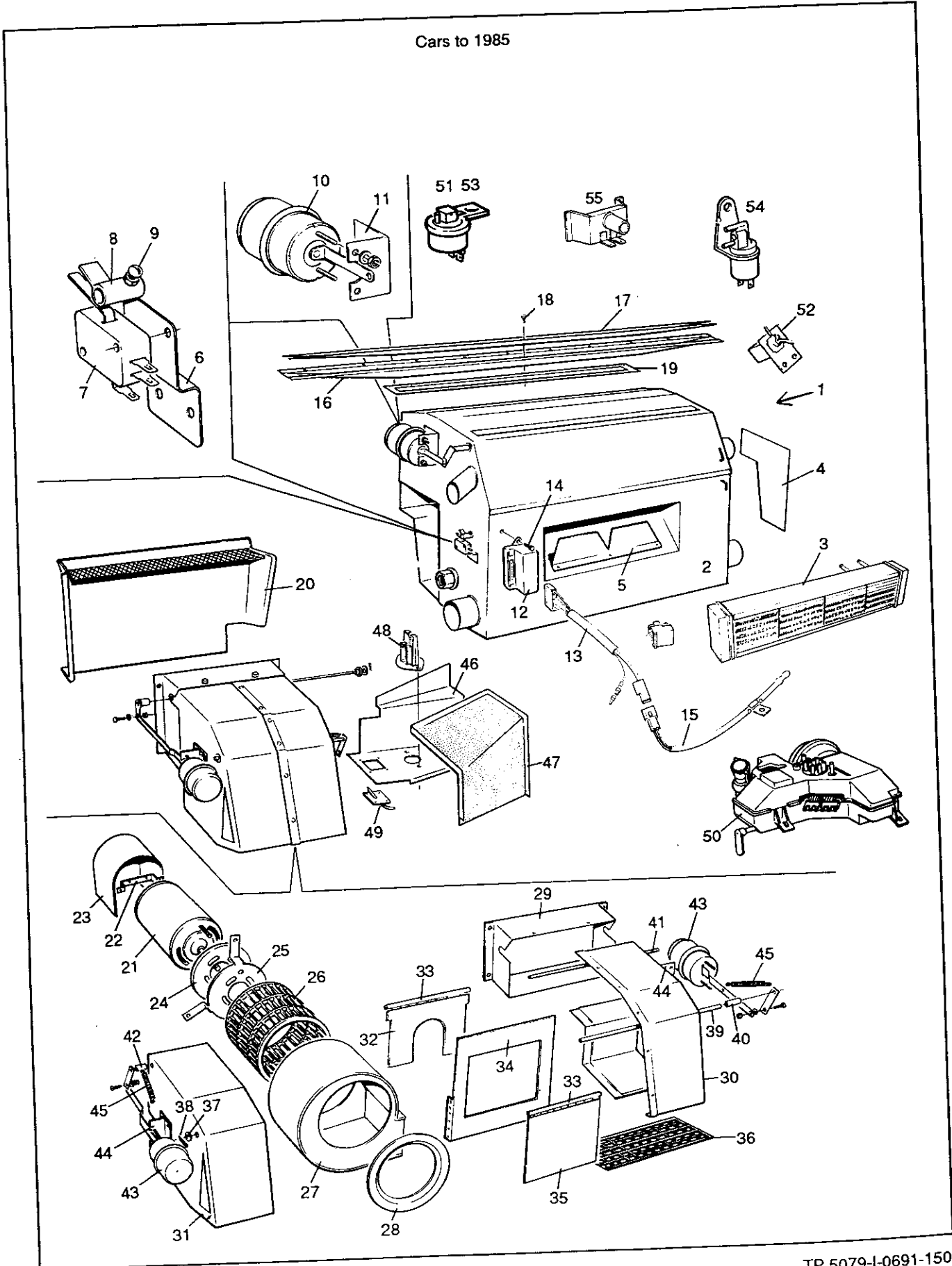
Illus No.	Part Number	Description	Qty	Remarks
-	020.037.0182	Grommet, pipe through bulkhead	1	
-	692004	Silicone sealant	as reqd	Grommet to pipe
39	89.21649	Hose assembly	1	
40	692742	'O' Ring, No. 015	1	
41	89.25254	Pipe assembly	1	RHD
-	89.25252	Pipe assembly	1	LHD
42	692742	'O' Ring, No. 015	1	} Compressor to evaporator
43	89.25253	Pipe assembly	1	
-	89.25251	Pipe assembly	1	RHD
44	095.089.0112	'O' Ring	1	LHD
-	691787	Clip, pipe, plastic	1	
45	86.18958	Heatshield, air-conditioning pipes	3	
-	692005	Bolt, M5 x 16 Heatshield	1	} USA cars
-	692045	Washer, spring, M5 fixing	2	
46	88.21662	Support bracket, air-conditioning pipes	2	
47	88.21664	Pipe clamp	1	
48	692090	Screw, M5 x 12	1	
49	692045	Washer, spring, M5	1	
50	692055	Washer, plain, M5	1	
51	06.11568	Cylinder head adaptor	1	
52	077.008.0123	Adaptor, water heater	1	
-	119500	Washer, fibre, 3/8 in. BSP	1	
53	89.18664	Hose	1	
54	691024	Hose clip, 20 - 32 mm	1	Adaptor to heater
55	89.16160	Water valve	6	
-	692546	Tubing, vacuum	1	
56	89.16162	Hose	as reqd	
-	89.14648	'P' clip	1	Heater valve to heater
-	691787	Clip, hoses, plastic	1	Heater hose to side member
57	691919	Hose	2	
58	069.032.0138	'P' Clip	6 feet	Heater valve to bottom hose
-	692090	Screw, hexagonal head, M5 x 12	2	Heater hose to side member
-	692045	Washer, spring, M5	2	'P' clip attachment
59	07.15226	Vacuum, delay valve	2	'P' clip attachment
60	89.17145	Pipe assembly, high pressure	1	Yellow/black
61	89.17146	Pipe assembly, low pressure	1	Along tunnel
-	692268	'O' ring, small, No. 011	1	Along tunnel
-	692269	'O' ring, medium, No. 013	2	
62	89.26305	Pipe assembly, evaporator to inter-cooler	3	
-	095.089.0112	'O' Ring	1	
-	692269	'O' Ring, medium, No. 013	1	
63	692742	'O' Ring, pipe to inter-cooler	1	
64	89.26307	Inter-cooler	1	Fitted to
65	89.26306	Pipe assembly, inter-cooler to pipe	1	LHD
66	692742	'O' Ring	2	cars
67	89.26315	Heatshield	1	only,
68	89.26570	Pipe assembly, evaporator to inter-cooler	1	from
-	095.089.0112	'O' Ring	1	1988
-	692269	'O' Ring, medium, No. 013	1	
69	692742	'O' Ring, pipe to inter-cooler	1	
70	34.51691	Inter-cooler	1	Later cars
71	89.26569	Pipe assembly, inter-cooler to pipe	1	from approx.
72	692742	'O' Ring	1	chassis no.
73	34.26563	Heatshield	2	13612
			1	

# AIR CONDITIONING

## RHD- Blower Unit



Cars to 1985





## AIR CONDITIONING

RHD - Blower Unit  
Cars to 1985

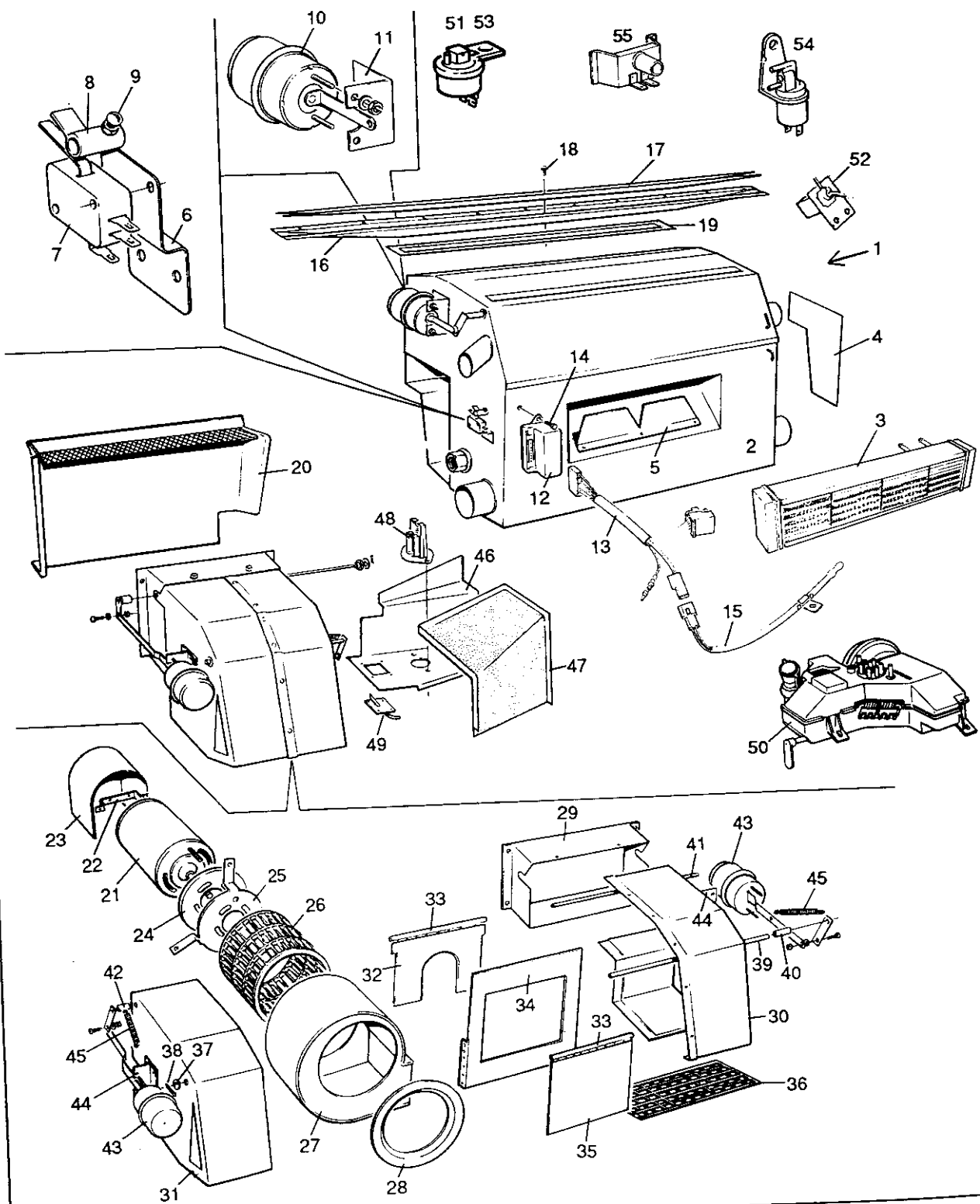
Illus No.	Part Number	Description	Qty	Remarks
1	89.11662	Air conditioning main unit assembly	1	
2	89.11661	Air conditioning main unit	1	Unmodified
-	89.16458	Servo, footwell and facelevel vents	2	
3	89.20045	Heater matrix	1	
4	89.16807	Blanking plate	1	Later blower feed from Aug.'80
-	89.11664	Blanking plate	1	Early blower feed
-	691342	Air drying neoprene	as reqd	
-	692317	Rivet, 1/8 in., copper	7	
5	89.13564	Hot air restrictor	1	Main flap
6	89.14708	Mounting bracket	1	Microswitch
-	692317	Pop rivet, 1/8 in. dia., copper	2	
7	095.038.0107	Microswitch	1	
-	691160	Screw, 6BA x 3/4 in.	2	
-	691348	Washer, plain, 6BA	2	} Switch to bracket
-	691350	Washer, shakeproof, 6BA	2	
-	691347	Nut, 6BA	2	
8	89.16584	Operating lever, microswitch	1	} Later cars from March 1982
9	692126	Screw, M4 x 8	1	
-	89.14709	Operating lever, microswitch	1	Early cars
10	89.16457	Servo, demist duct	1	
11	89.16471	Bracket	1	
-	691401	Pop rivet, 1/8 in.	2	
-	89.11468	Gasket, main unit	1	Made from 691732
-	691883	Adhesive	as reqd	
-	89.14302	Distance-piece, air conditioning unit	4	
-	690407	Washer, large, plain, 5/16 in. ID	4	} Air conditioning unit to bulkhead
-	692135	Nut, Nyloc, M8	4	
-	691950	Drain tube, 100mm long	2	
-	89.11871	Elbow	2	
-	691950	Drain tube, 300mm long	2	
-	020.037.0189	'P' clip	2	
-	627.000.0804	Screw, pozi, pan head, No.8 x 1/2 in.	2	} 'P' clip to chassis
-	122422	Washer, plain, 3/16 in.	2	
-	069.037.0140	Grommet	2	Drain tube through tunnel
-	691851	Insulation tape	as reqd	Main unit pipes
12	37.19385	Thermostat control unit	1	} Use together to replace earlier unit and harness assy.
13	37.19387	Harness	1	
14	627.000.0803	Screw, Pozi, pan head, No.8 x 3/8 in.	2	
15	37.19386	Sensor probe	1	
-	692397	Grommet, probe through casing	1	
-	080.050.0142	Ranco thermostat	1	
-	89.15143	Thermostat bracket	1	} Early cars
-	692397	Grommet, capillary tube through casing	1	
16	89.11759	Demist duct assembly	1	} Early cars
17	89.11763	Grille assembly	1	
18	692256	Screw, Pozi, pan head, No.4 x 3/8 in.	3	
19	89.11768	Gasket, demist duct	1	
-	89.18046	Demist duct assembly	1	
-	69.18058	Angle bracket	1	
-	069.078.0029	Clip	5	} Later cars from March 1982
-	550.000.1410	Rivet, 1/8 in.	5	
-	628.000.0603	Screw, No.6 x 3/8 in.	3	
-	629.000.0302	Washer, plain, No.6	3	
-	628.000.0804	Screw, No.8 x 1/2 in.	5	

# AIR CONDITIONING

## RHD- Blower Unit



Cars to 1985





## AIR CONDITIONING

RHD - Blower Unit  
Cars to 1985

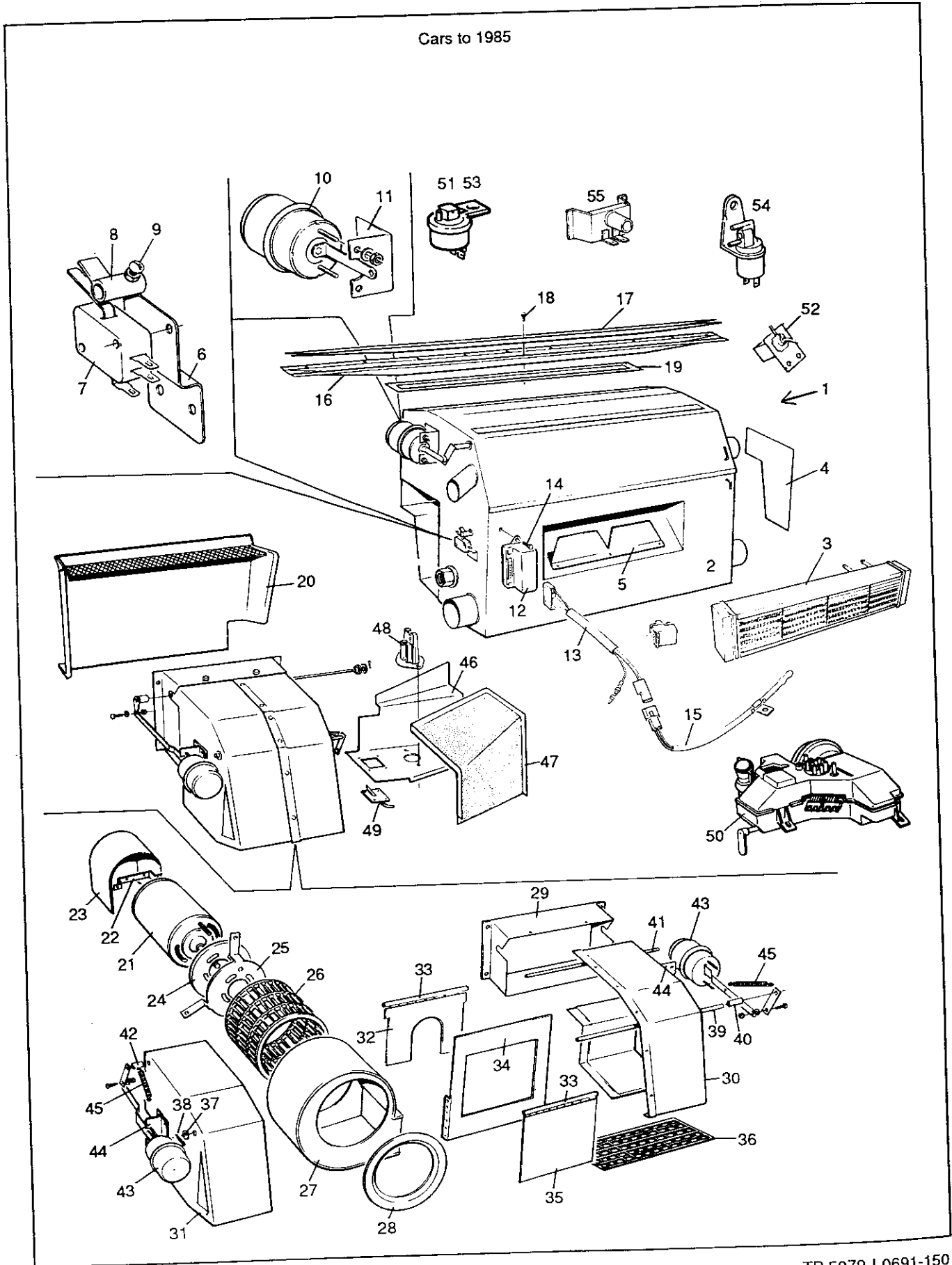
Illus No.	Part Number	Description	Qty	Remarks
-	692004	Sealer, demist duct to main air conditioning unit	as reqd	
20	89.11635	Plenum chamber assembly	1	
-	-	Sound insulation	as reqd	
-	691883	Adhesive	as reqd	
-	691342	Air drying neoprene	as reqd	
-	692317	Rivet, 1/8 in. dia., copper	4	
-	627.000.0804	Screw, Posi, No.8 x 1/2 in.	4	
21	89.15762	Blower motor	1	
-	89.14873	Vacuum pipe elbow	1	
22	89.11988	Cover mounting bracket assembly	1	
-	616.000.0308	Screw, No.10-32 x 1/2 in., pan head	2	} Mounting bracket to motor
-	581.000.0403	Washer, shakeproof, 2BA	2	
-	122422	Washer, plain, 2BA	2	
23	89.11870	Cover	1	
-	692126	Screw, M4 x 8 pan head	1	} Cover to mounting bracket
-	692064	Washer, shakeproof, M4	1	
-	692054	Washer, plain, M4	1	
24	432619	Gasket	1	
25	89.19232	Bracket	1	
26	432647	Wheel	1	
27	432613	Blower housing	1	
28	432646	Ring	1	
29	89.11398	Mounting panel assembly, blower motor	1	
-	89.19276	Mounting panel assembly, blower motor	1	From chassis no. 13306
-	691342	Air drying neoprene	as reqd	
-	692088	Screw, hexagonal head, M6 x 16	4	
-	692056	Washer, plain, M6	4	
-	124383	Washer, large, plain, 1/4 in. ID	4	
-	692066	Washer, spring, M6	4	
-	692076	Nut, M6	4	
-	692210	Screw, pozi., pan head, M4 x 12	2	
-	692054	Washer, plain, M4	2	
-	692074	Nut, M4	2	
-	89.11401	Gasket, blower motor	1	
-	691883	Adhesive	as reqd	
-	692056	Washer, plain, M6	2	} Blower motor assembly to bulkhead
-	692076	Nut, M6	2	
-	692046	Washer, spring, M6	2	
-	691342	Air drying neoprene	as reqd	
-	692317	Rivet, 1/8 in. dia., copper	3	
30	432645	Casing, RH	1	} Supply as a pair
31	432645	Casing, LH	1	
32	89.16722	Fresh air door	1	
33	89.19237	Hinge	2	
34	89.16724	Closure panel	1	
35	89.16725	Recirculation door	1	
36	89.16721	Grille	1	
37	89.19847	Bush	1	
38	-	Split pin	2	

# AIR CONDITIONING

## RHD- Blower Unit



Cars to 1985





## AIR CONDITIONING

RHD - Blower Unit  
Cars to 1985

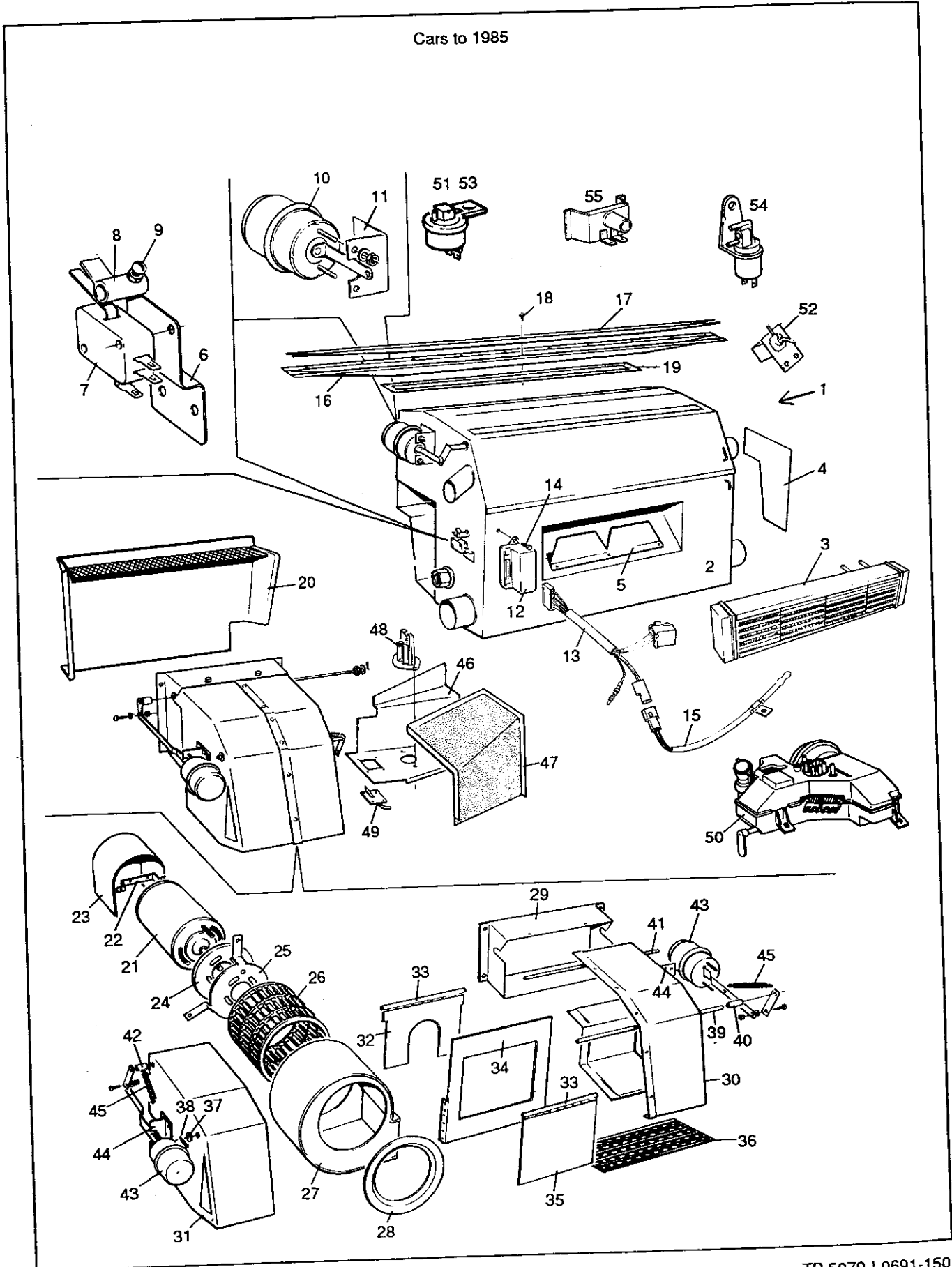
Illus No.	Part Number	Description	Qty	Remarks
39	89.18147	Rod assembly, recirculation door	1	
40	-	Spacer	1	
41	89.18146	Rod assembly, fresh air door	1	
42	-	Spacer	1	
43	89.16459	Servo, fresh air and recirculation doors	2	
44	89.16766	Bracket	2	
45	021.029.0139	Return spring	1	Cut in half when fitting
46	89.15841	Inlet duct, front section	1	} Later cars } from August 1980
47	89.15843	Inlet duct, rear section	1	
-	89.11669	Inlet duct	1	Early cars
48	89.11386	Resistor assembly	1	
-	692004	Silicone sealant	as reqd	
-	691729	Spire clip, No 6	2	
-	627.000.0605	Screw, Pozl., pan head, No.6 x 5/8 in.	2	
-	-	Sound insulation	as reqd	
-	691883	Adhesive	as reqd	
-	691342	Air drying neoprene	as reqd	
-	692317	Rivet, 1/8 in. dia., copper	7	
49	89.11183	Air bleed assembly, single pipe	1	
-	692004	Silicone sealant	as reqd	
-	692205	Rivet, 1/8 in. dia., copper	4	
-	691950	Bleed tube	as reqd	Blower to elbow
-	89.11871	Elbow	1	
-	691950	Bleed tube	as reqd	Elbow to programmer
-	692133	Sealer	as reqd	
-	89.11790	Programmer mounting bracket assembly	1	} Early } cars
-	89.11794	Pressure pot assembly	1	
-	89.15676	Programmer mounting bracket assembly	1	} Cars from } June 1980
-	89.15678	Pressure pot assembly	1	
50	89.11382	Programmer	1	
-	691504	Vacuum pipe	as reqd	Main feed and programmer to heater valve
-	692279	Vacuum pipe, black	as reqd	
-	692133	Sealer	as reqd	Main vacuum pipes
-	692466	Grommet	1	Vacuum pipe through bulkhead
-	08.21067	Tee-piece, vacuum pipe	1	
-	89.11882	Link mounting plate assembly	1	
-	692242	Screw, Pozl., pan head, M5 x 12	2	
-	690257	Washer, plain, 3/16 in. ID x 3/4 in. OD x 16 SWG	2	
-	692065	Washer, shakeproof, M5	2	
-	89.11845	Link rod, 2BA	1	Threaded right and left hand
-	125525	Ball-joint, C/W peg, RH	1	
-	125526	Ball-joint, C/W peg, LH	1	
-	112941	Locknut, 2BA, RH	1	Joint to rod
-	110980	Locknut, 2BA, LH	1	Joint to rod
-	690484	Nut, Nyloc, 2BA	1	Link peg to programmer
-	690484	Nut, Nyloc, 2BA	1	Link peg to main unit
-	627.000.0803	Screw, Pozl., pan head, No.6 x 1/2 in.	4	Programmer attach

# AIR CONDITIONING

## RHD- Blower Unit



Cars to 1985



## AIR CONDITIONING

RHD - Blower Unit  
Cars to 1985

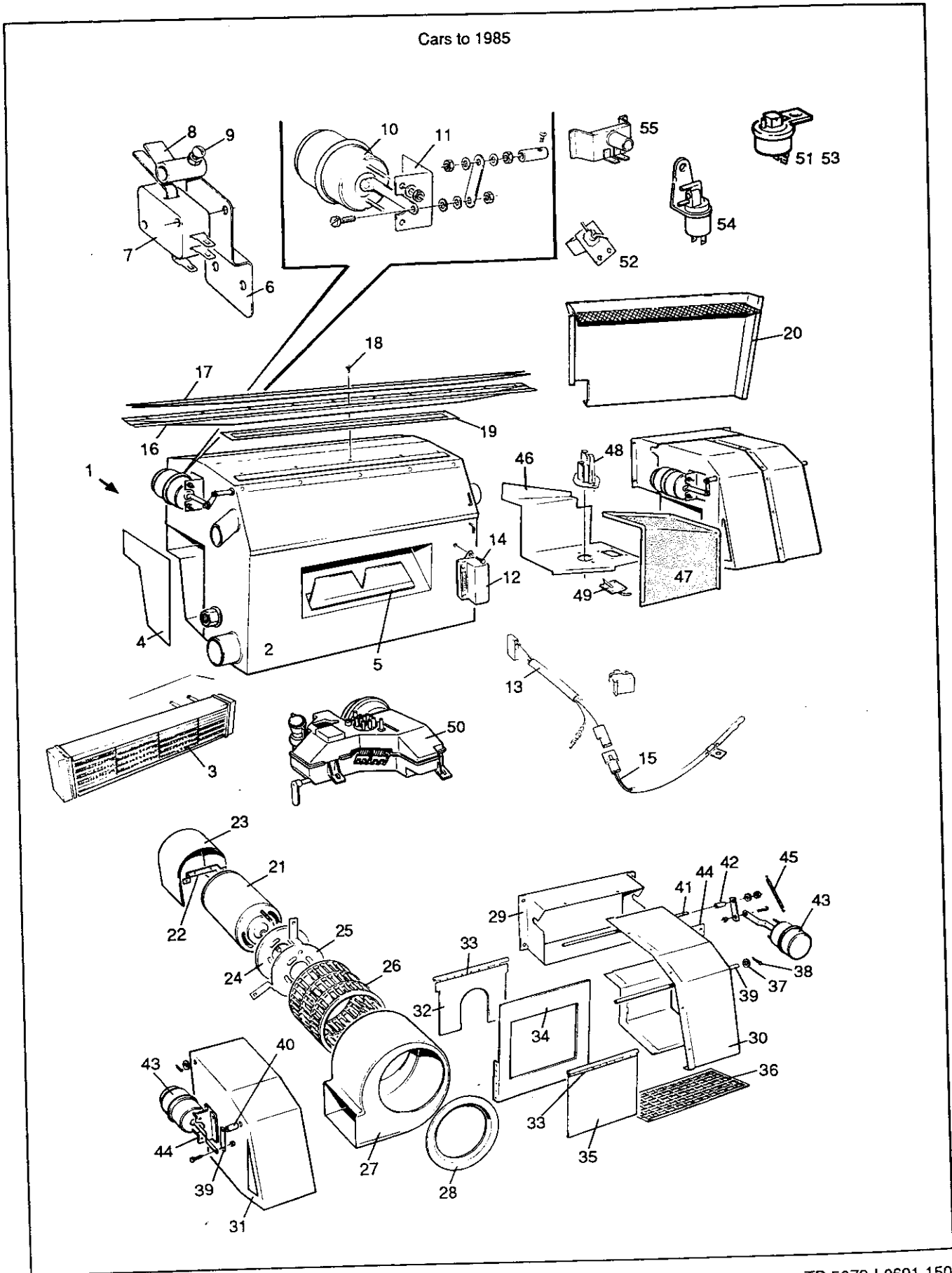
Illus No.	Part Number	Description	Qty	Remarks
-	89.13934	Mounting bracket assembly	1	Electro-vacuum switches
-	692317	Pop rivet, 1/8 in. dia., copper	3	Mounting bracket attach
51	89.11851	Electro-vacuum switch No.6	2	Early cars
52	07.14870	Electro-vacuum switch No.6	2	} From chassis no. 13171
-	89.17784	Mounting plate, flat	1	
-	692279	Pipe, vacuum, black	as reqd	} Vacuum switches fixing
-	692090	Screw, M5 x 12, pan head	8	
-	692055	Washer plain, M5	8	
-	692045	Washer, shakeproof, M5	8	
-	020.037.0189	'P' clip	2	Vacuum pipes to main unit
-	627.000.0804	Screw, Pozi., pan head, No.8 x 1/2 in.	2	} 'P' clip to main unit
-	122422	Washer, plain, 3/16 in.	2	
-	020.037.0189	'P' clip	1	Conduit to blower assembly
-	627.000.0804	Screw, Pozi., pan head, No.8 x 1/2 in.	1	} 'P' clip to blower
-	122422	Washer, plain, 3/16 in.	1	
-	08.21067	Tee piece	as reqd	
53	89.11892	Electro-vacuum switch No 4	1	Marked '4' - Early cars
-	07.14870	Electro-vacuum switch No 4 (item 52)	1	From chassis no. 13171
-	692433	Junction piece, 4 way	2	
54	89.11889	Electro-vacuum switch No 2	1	Early cars
-	07.14870	Electro-vacuum switch No 2 (item 52)	1	From chassis no. 13171
-	691469	Shear pin	1	Use as pipe blank
-	692004	Silicone sealant	as reqd	Blank to pipe
-	691950	Tube	as reqd	
-	89.11871	Elbow	3	
-	692133	Sealer	as reqd	Elbows and sensor to pipe
-	020.037.0189	'P' clip	2	Pipe elbow to long elbow
55	89.11388	In-car sensor	1	
-	691728	Screw, Pozi., pan head, No.6 x 3/8 in.	2	
-	692320	Air trunking, 1.1/4 in. ID., PVC, wire reinforced	as reqd	
-	89.12192	'P' clip	1	Trunking to cross member
-	627.000.0804	Screw, Pozi., pan head, No.8 x 1/2 in.	1	'P' clip to cross member
-	122422	Washer, plain, 3/16 in.	1	'P' clip to cross member
-	89.13384	Y Junction moulding	2	
-	89.12192	'P' clip	1	Trunking to inlet duct
-	627.000.0804	Screw, Pozi., pan head, No.8 x 1/2 in.	1	'P' clip to inlet duct
-	122422	Washer, plain, 3/16 in.	1	'P' clip to inlet duct
-	692321	Air trunking, 2 in. ID., PVC, wire reinforced	as reqd	
-	89.11942	Facia air outlet	4	Modify to suit car
-	89.13308	Rear centre console air outlet	1	Early cars without rear air conditioning
-	89.12556	Bracket, socket mounting	1	
-	692317	Rivet, 1/8 in. dia., copper	5	
-	539.000.0808	Screw, Pozi., pan head, No.8 x 1 in.	2	
-	-	Harness	1	See section 6.3D

# AIR CONDITIONING

## LHD- Blower Unit



Cars to 1985







**AIR CONDITIONING**

LHD - Blower Unit  
Cars to 1985

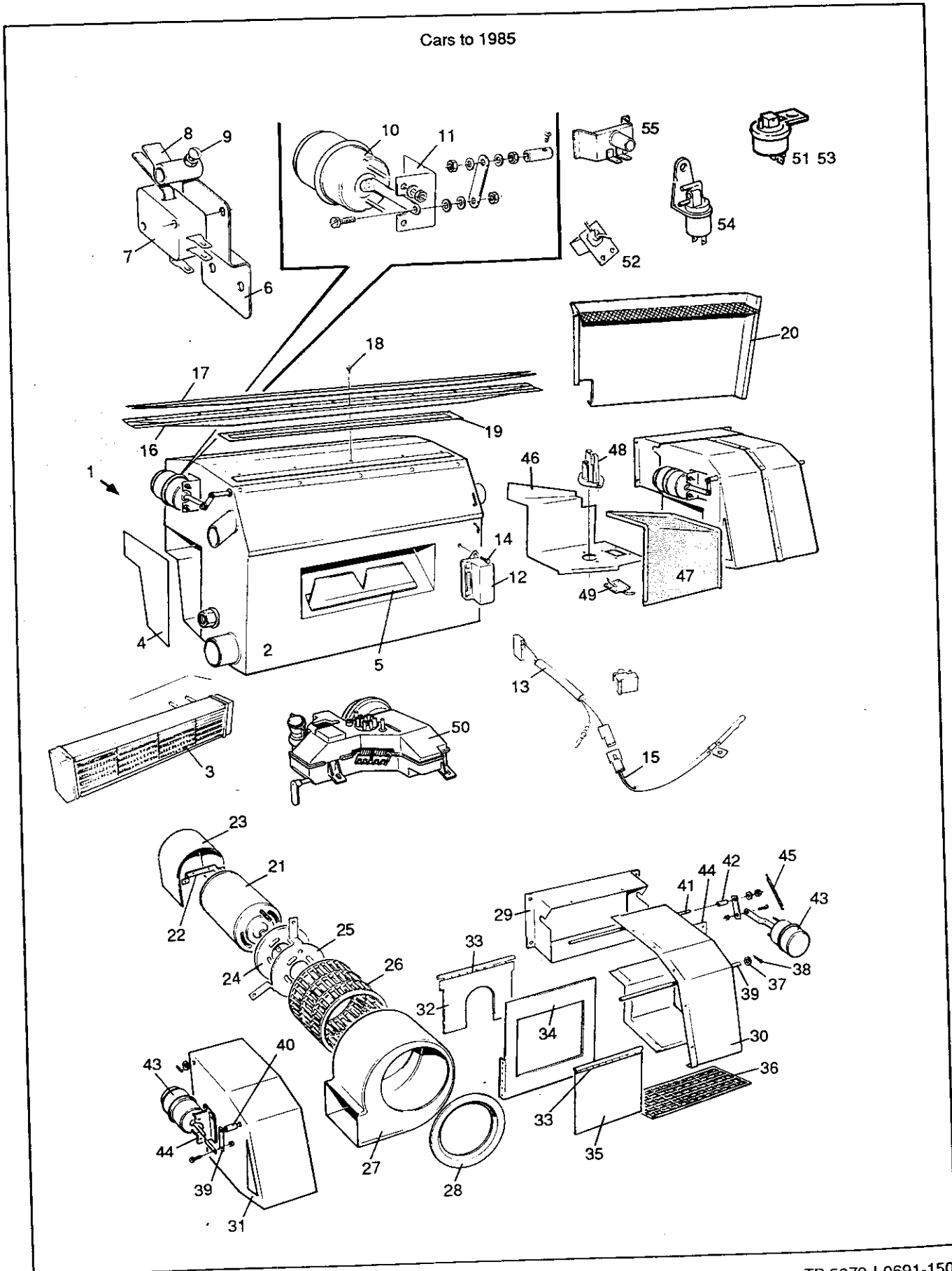
Illus No.	Part Number	Description	Qty	Remarks
1	89.11663	Air conditioning main unit assembly	1	
2	89.11661	Air conditioning main unit	1	Unmodified
-	89.16458	Servo, footwell and facelevel vents	2	
3	89.20045	Heater matrix	1	
4	89.16808	Blanking plate	1	Later blower feed from Aug. '80
-	89.11665	Blanking plate	1	Early blower feed
-	691342	Air drying neoprene	as reqd	
-	692317	Rivet, 1/8 in., copper	7	
5	89.13564	Hot air restrictor	1	Main flap
6	89.14708	Mounting bracket	1	Microswitch
-	692317	Pop rivet, 1/8 in. dia., copper	2	
7	095.038.0107	Microswitch	1	
-	691160	Screw, 6BA x 3/4 in.	2	} Switch to bracket
-	691348	Washer, plain, 6BA	2	
-	691350	Washer, shakeproof, 6BA	2	
-	691347	Nut, 6BA	2	
8	89.16584	Operating lever, microswitch	1	} Later cars from March 1982
9	692126	Screw, M4 x 8	1	
-	89.14709	Operating lever, microswitch	1	Early cars
10	89.16457	Servo, demist duct	1	
11	89.16471	Bracket	1	
-	691401	Pop rivet, 1/8 in.	2	
-	89.11468	Gasket, main unit	1	Made from 691732
-	691883	Adhesive	as reqd	
-	89.14302	Distance-piece, air conditioning unit	4	} Air conditioning unit to bulkhead
-	690407	Washer, large, plain, 5/16 in. ID	4	
-	692135	Nut, Nyloc, M8	4	
-	691950	Drain tube, 100mm long	2	
-	89.11871	Elbow	2	
-	691950	Drain tube, 300mm long	2	
-	020.037.0189	'P' clip	2	
-	627.000.0804	Screw, Pozi, pan head, No.8 x 1/2 in.	2	} 'P' clip to chassis
-	122422	Washer, plain, 3/16 in.	2	
-	069.037.0140	Grommet	2	Drain tube through tunnel Main unit pipes
-	691851	Insulation tape	as reqd	
12	37.19385	Thermostat control unit	1	} Use together to replace earlier unit and harness assy.
13	37.19387	Harness	1	
14	627.000.0803	Screw, pozi, pan head, No.8 x 3/8 in.	2	
15	37.19386	Sensor probe	1	
-	692397	Grommet, probe through casing	1	} Early cars
-	080.050.0142	Ranco thermostat	1	
-	89.15143	Thermostat bracket	1	
-	692397	Grommet, capillary tube through casing	1	
16	89.11759	Demist duct assembly	1	} Early cars
17	89.11763	Grille assembly	1	
18	692256	Screw, Pozi, pan head, No.4 x 3/8 in.	3	
19	89.11768	Gasket, demist duct	1	
-	89.18046	Demist duct assembly	1	
-	69.18059	Angle bracket	1	
-	069.078.0029	Clip	1	
-	550.000.1410	Rivet, 1/8 in.	5	} Later cars from March 1982
-	628.000.0603	Screw, No.6 x 3/8 in.	5	
-	629.000.0302	Washer, plain, No.6	3	
-	628.000.0804	Screw, No.8 x 1/2 in.	3	
			5	} Demist duct to main air conditioning unit

# AIR CONDITIONING

## LHD- Blower Unit



Cars to 1985





**AIR CONDITIONING**

**LHD - Blower Unit  
Cars to 1985**

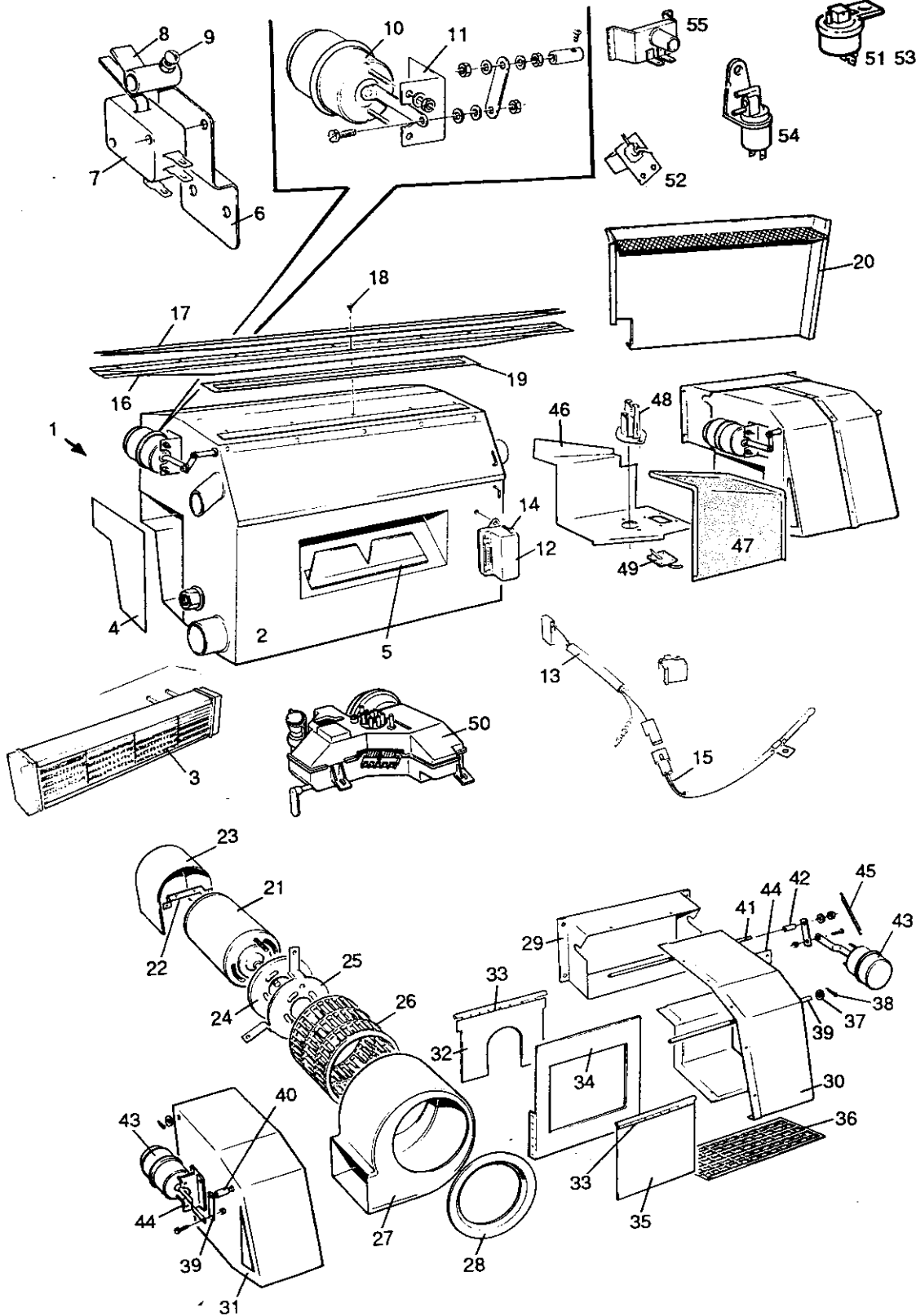
Illus No.	Part Number	Description	Qty	Remarks
-	692004	Sealer, demist duct to main air conditioning unit	as reqd	
20	89.11634	Plenum chamber assembly	1	
-	-	Sound insulation	as reqd	
-	691883	Adhesive	as reqd	
-	691342	Air drying neoprene	as reqd	
-	692317	Rivet, 1/8 in. dia., copper	as reqd	
-	627.000.0804	Screw, Posi, No.8 x 1/2 in.	4	
21	89.15762	Blower motor	4	
-	89.14873	Vacuum pipe elbow	1	
22	89.11988	Cover mounting bracket assembly	1	
-	616.000.0308	Screw, No.10-32 x 1/2 in., pan head	1	
-	581.000.0403	Washer, shakeproof, 2BA	2	} Mounting bracket to motor
-	122422	Washer, plain, 2BA	2	
23	89.11870	Cover	2	
-	692126	Screw, M4 x 8 pan head	1	
-	692064	Washer, shakeproof, M4	1	} Cover to mounting bracket
-	692054	Washer, plain, M4	1	
24	432619	Gasket	1	
25	89.19232	Bracket	1	
26	432647	Wheel	1	
27	432613	Blower housing	1	
28	432646	Ring	1	
29	89.11398	Mounting panel assembly, blower motor	1	
-	89.19276	Mounting panel assembly, blower motor	1	From chassis no. 13306
-	691342	Air drying neoprene	as reqd	
-	692088	Screw, hexagonal head, M6 x 16	4	
-	692056	Washer, plain, M6	4	
-	124383	Washer, large, plain, 1/4 in. ID	4	
-	692066	Washer, spring, M6	4	
-	692076	Nut, M6	4	
-	692210	Screw, Pozi., pan head, M4 x 12	2	
-	692054	Washer, plain, M4	2	
-	692074	Nut, M4	2	
-	89.11401	Gasket, blower motor	1	
-	691883	Adhesive	as reqd	
-	692056	Washer, plain, M6	2	} Blower motor assembly
-	692076	Nut, M6	2	
-	692046	Washer, spring, M6	2	} to bulkhead
-	691342	Air drying neoprene	as reqd	
-	692317	Rivet, 1/8 in. dia., copper	3	
30	432645	Casing, RH	1	} Supply as a pair
31	432645	Casing, LH	1	
32	89.16722	Fresh air door	1	
33	89.19237	Hinge	2	
34	89.18156	Closure panel	1	
35	89.16725	Recirculation door	1	
36	89.16721	Grille	1	
37	89.19847	Bush	1	
38	-	Split pin	2	

# AIR CONDITIONING

## LHD- Blower Unit



Cars to 1985



## AIR CONDITIONING

LHD - Blower Unit  
Cars to 1985

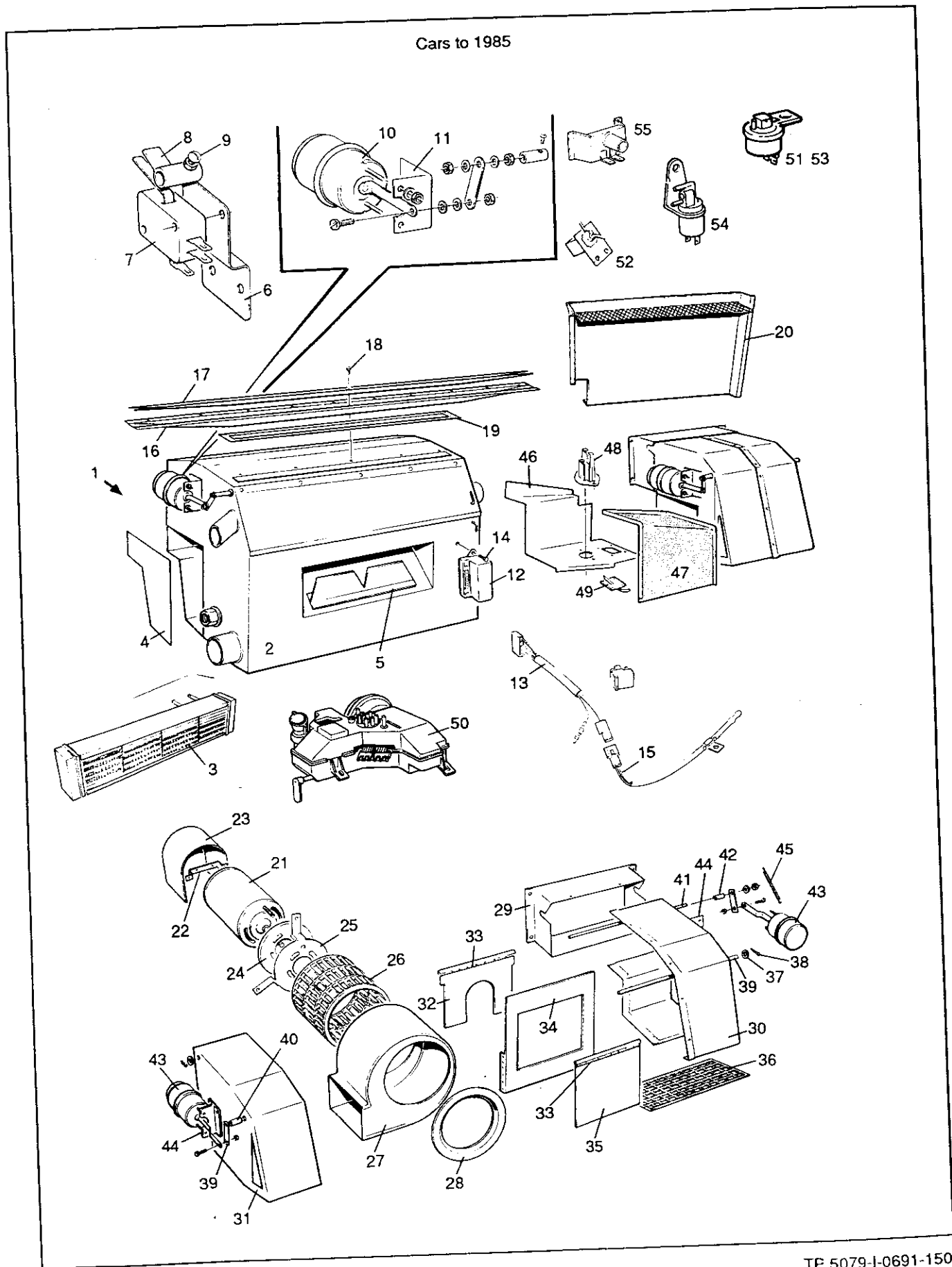
Illus No.	Part Number	Description	Qty	Remarks
39	89.18147	Rod assembly, recirculation door	1	
40	-	Spacer	1	
41	89.18146	Rod assembly, fresh air door	1	
42	-	Spacer	1	
43	89.16459	Vacuum motor, fresh air and recirculation doors	2	
44	89.16766	Bracket	2	
45	021.029.0139	Return spring	1	Cut in half when fitting
46	89.15842	Inlet duct, front section	1	} Later cars } from August 1980
47	89.15844	Inlet duct, rear section	1	
-	89.11668	Inlet duct	1	
48	89.11386	Resistor assembly	1	Early cars
-	692004	Silicone sealant	as reqd	
-	691729	Spire clip, No 6	2	
-	627.000.0605	Screw, pozi., No.6 x 5/8 in.	2	
-	-	Sound insulation	as reqd	
-	691883	Adhesive	as reqd	
-	691342	Air drying neoprene	as reqd	
-	692317	Rivet, 1/8 in. dia., copper	7	
49	89.11183	Air bleed assembly, single pipe	1	
-	692004	Silicone sealant	as reqd	
-	692205	Rivet, 1/8 in. dia., copper	4	
-	691950	Bleed tube	as reqd	Blower to elbow
-	89.11871	Elbow	1	
-	691950	Bleed tube	as reqd	Elbow to programmer
-	692133	Sealer	as reqd	
-	89.15676	Programmer mounting bracket assembly	1	
-	89.15678	Pressure pot assembly	1	
50	89.26621	Programmer assembly	1	
-	691504	Vacuum pipe	as reqd	Main feed and programmer to heater valve
-	692279	Vacuum pipe, black	as reqd	
-	692133	Sealer	as reqd	Main vacuum pipes
-	692466	Grommet	1	Vacuum pipe through bulkhead
-	08.21067	Tee-piece, vacuum pipe	1	
-	89.11882	Link mounting plate assembly	1	
-	692242	Screw, Pozi, pan head, M5 x 12	2	
-	690257	Washer, plain, 3/16 in. ID x 3/4 in. OD x 16 SWG	2	
-	692065	Washer, shakeproof, M5	2	
-	89.11845	Link rod, 2BA	1	Threaded right and left hand
-	125525	Ball-joint, C/W peg, RH	1	
-	125526	Ball-joint, C/W peg, LH	1	
-	112941	Locknut, 2BA, RH	1	Joint to rod
-	110980	Locknut, 2BA, LH	1	Joint to rod
-	690484	Nut, Nyloc, 2BA	1	Link peg to programmer
-	690484	Nut, Nyloc, 2BA	1	Link peg to main unit
-	89.15723	Lever, control unit	1	
-	692267	Bolt, M6 x 30	1	
-	692151	Nut, Nyloc, M6	1	
-	627.000.0803	Screw, Pozi, pan head, No.6 x 1/2 in.	4	Programmer attach

# AIR CONDITIONING

## LHD- Blower Unit



Cars to 1985



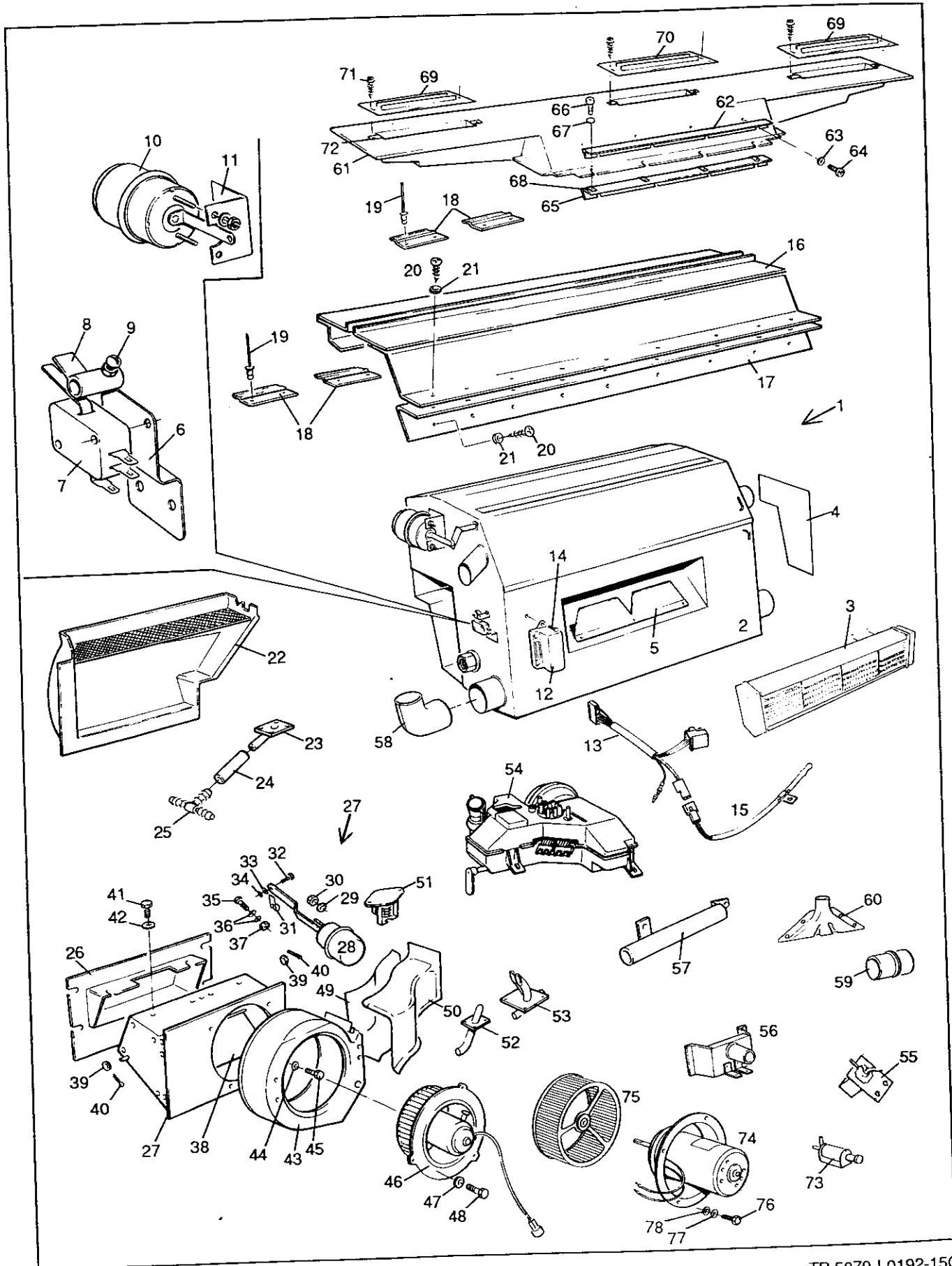
## AIR CONDITIONING

LHD - Blower Unit  
Cars to 1985

Illus No.	Part Number	Description	Qty	Remarks	
-	89.13934	Mounting bracket assembly	1	Electro-vacuum switches	
-	692317	Pop rivet 1/8 in. dia., copper	3	Mounting bracket attach	
51	89.11851	Electro-vacuum switch No 6	2	Early cars	
52	07.14870	Electro-vacuum switch No 6	2	} From chassis no. 13171	
-	89.17784	Mounting plate, flat.(Replaces early plate with bend)	1		
-	692279	Pipe, vacuum black	as reqd	} Vacuum switches fixing	
-	692090	Screw, M5 x 12 pan head	8		
-	692055	Washer, plain, M5	8		
-	692045	Washer, shakeproof, M5	8		
-	020.037.0189	'P' clip	2		} Vacuum pipes to main unit
-	627.000.0804	Screw, Pozi., pan head, No.8 x 1/2 in.	2		
-	122422	Washer, plain, 3/16 in.	2		} 'P' clip to main unit
-	020.037.0189	'P' clip	2		
-	627.000.0804	Screw, Pozi., pan head, No.8 x 1/2 in.	1	} Conduit to blower assembly	
-	122422	Washer, plain, 3/16 in.	1		
-	08.21067	Tee piece	1	} 'P' Clip to blower	
-	89.11892	Electro-vacuum switch No 4	as reqd		
53	07.14870	Electro-vacuum switch No 4 (item 52)	1	Marked '4' - Early cars	
-	692433	Junction piece, 4 way	2	From chassis no. 13171	
54	89.11889	Electro-vacuum switch No 2	1	Early cars	
-	07.14870	Electro-vacuum switch No 2 (item 52)	1	From chassis no. 13171	
-	691469	Shear pin	1	Use as pipe blank	
-	692004	Silicone sealant	as reqd	Blank to pipe	
-	691950	Tube	as reqd		
-	89.11871	Elbow	3	Elbows and sensor to pipe	
-	692133	Sealer	as reqd		
-	020.037.0189	'P' clip	2	Pipe elbow to long elbow	
55	89.11388	In-car sensor	1	Trunking to cross member	
-	691728	Screw, Pozi., pan head, No.6 x 3/8 in.	2		
-	692320	Air trunking, 1.1/4 in. ID., PVC, wire reinforced	as reqd	'P' clip to cross member	
-	89.12192	'P' clip	1		
-	627.000.0804	Screw, Pozi., pan head, No.8 x 1/2 in.	1	'P' clip to cross member	
-	122422	Washer, plain, 3/16 in.	1		
-	89.13384	Y Junction moulding	2	Trunking to inlet duct	
-	89.12192	'P' clip	1		
-	627.000.0804	Screw, Pozi., pan head, No.8 x 1/2 in.	1	'P' clip to inlet duct	
-	122422	Washer, plain, 3/16 in.	1		
-	692321	Air trunking, 2 in. ID., PVC, wire reinforced	as reqd	'P' clip to inlet duct	
-	89.11942	Facia air outlet	4		
-	89.13308	Rear centre console air outlet	1	Modify to suit car	
-	89.12556	Bracket, socket mounting	1	Early cars without rear air conditioning	
-	692317	Rivet, 1/8 in. dia., copper	5		
-	539.000.0808	Screw, Pozi., pan head, No.8 x 1 in.	2	See section 6.3D	
-	-	Harness	1		

# AIR CONDITIONING

RHD - Blower Unit  
Cars from 1985







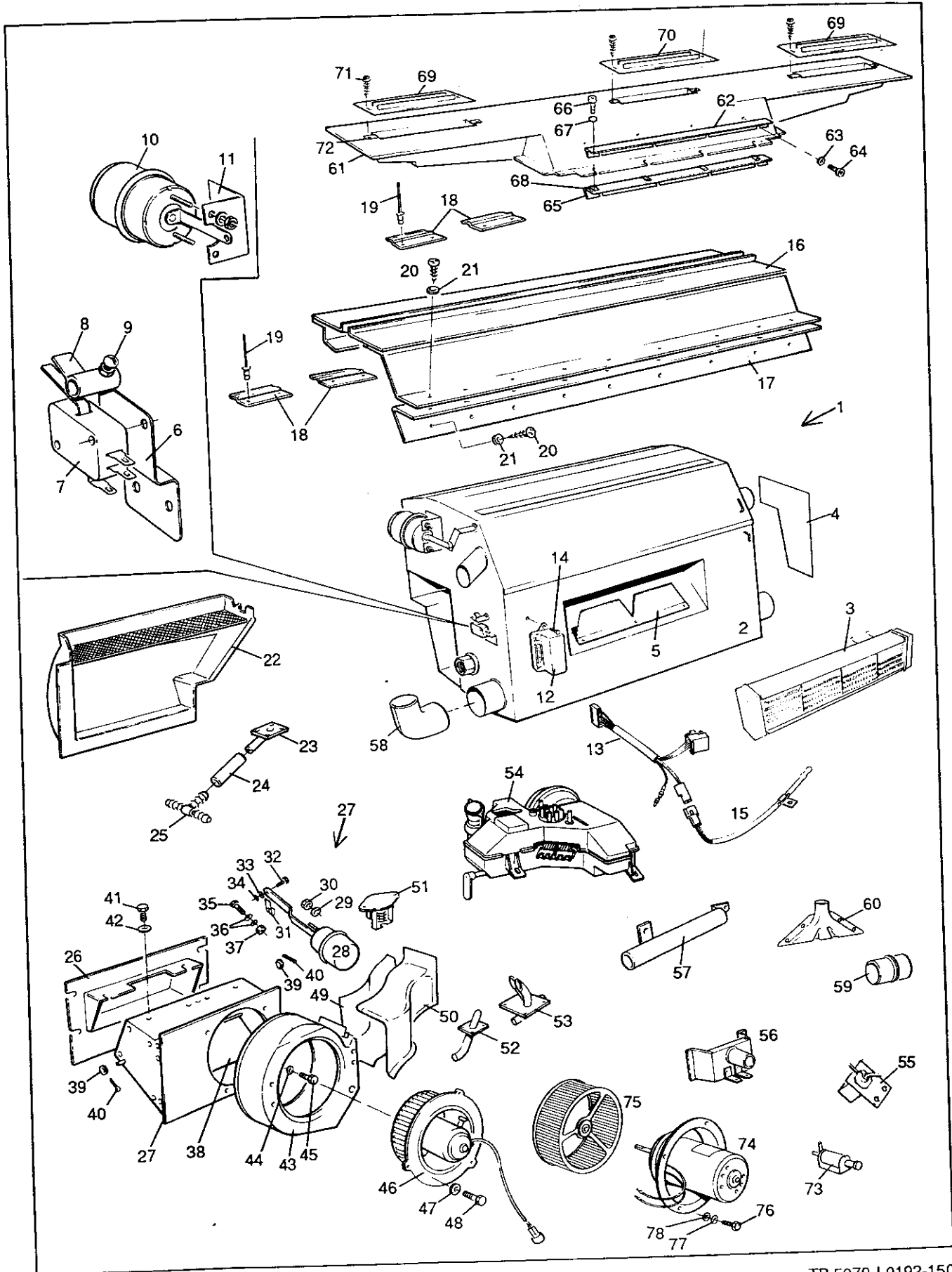
**AIR CONDITIONING**

**RHD - Blower Unit  
Cars from 1985**

Illus No.	Part Number	Description	Qty	Remarks
1	89.20858	Air conditioning main unit assembly	1	
2	89.11661	Air conditioning main unit	1	Unmodified
-	89.16458	Servo, footwell and facelevel vents	2	
3	89.20045	Heater matrix	1	
4	89.16807	Blanking plate	1	
-	691342	Air drying neoprene	as reqd	
-	692317	Rivet, 1/8 in., copper	7	
5	89.13564	Hot air restrictor	1	Main flap
6	89.14708	Mounting bracket, microswitch	1	Qty. 2
-	692317	Pop rivet, 1/8 in. dia., copper	2	Qty. 4
7	095.038.0107	Microswitch	1	Qty. 2
-	691160	Screw, 6BA x 3/4 in.	2	Qty. 4
-	691348	Washer, plain, 6BA	2	Qty. 4
-	691350	Washer, shakeproof, 6BA	2	Qty. 4
-	691347	Nut, 6BA	2	Qty. 4
8	89.16584	Operating lever, microswitch	1	From October 1989 Switch to bracket
9	692126	Screw, M4 x 8	1	
10	89.20165	Servo, demist duct	1	
11	89.20086	Bracket	1	
-	691401	Pop rivet, 1/8 in.	2	
-	89.20167	Lever, demist flap	1	Servo to demist flap
-	692228	Screw, M4 x 10	1	
-	692314	Nut, Nyloc, M4	1	
-	89.20786	Lever assembly, mixer flap	1	
-	89.20571	Footwell outlet	1	} Fixed to side of casing. } Not VF instruments.
-	691401	Pop rivet, 1/8 in.	4	
-	89.23301	Seal strip, 30 mm wide x 6 mm thick	as reqd	Air conditioning unit top flap Seal to flap
-	691883	Adhesive	as reqd	
-	89.11468	Gasket, main unit	1	Made from 691732
-	691883	Adhesive	as reqd	
-	89.14302	Distance-piece, air conditioning unit	4	} Air conditioning unit } to bulkhead
-	690407	Washer, large, plain, 5/16 in. ID	4	
-	692135	Nut, Nyloc, M8	4	
-	691950	Drain tube, 100mm long	2	
-	89.11871	Elbow	2	
-	691950	Drain tube, 300mm long	2	
-	020.037.0189	'P' clip	2	} 'P' clip } to chassis
-	627.000.0804	Screw, pozi, pan head, No.8 x 1/2 in.	2	
-	122422	Washer, plain, 3/16 in.	2	
-	069.037.0140	Grommet	2	Drain tube through tunnel Main unit pipes
-	691851	Insulation tape	as reqd	
12	37.19385	Thermostat control unit	1	
13	37.19387	Harness	1	
14	627.000.0803	Screw, Pozi, pan head, No.8 x 3/8 in.	2	
15	37.19386	Sensor probe	1	
-	692397	Grommet, probe through casing	1	
16	89.20144	Demist duct assembly	1	} Not on cars } with VF inst. } Demist duct } to main } air } conditioning } unit.
17	89.20848	Angle bracket	1	
18	89.20849	Clip	2	
19	550.000.1410	Rivet, 1/8 in., clips to air conditioning unit	4	
20	691112	Screw, No.6 x 3/8 in.	9	} Not on cars } with VF inst.
21	692055	Washer, plain, M5	9	
-	692004	Sealer, demist duct to main air conditioning unit	as reqd	

# AIR CONDITIONING

RHD - Blower Unit  
Cars from 1985



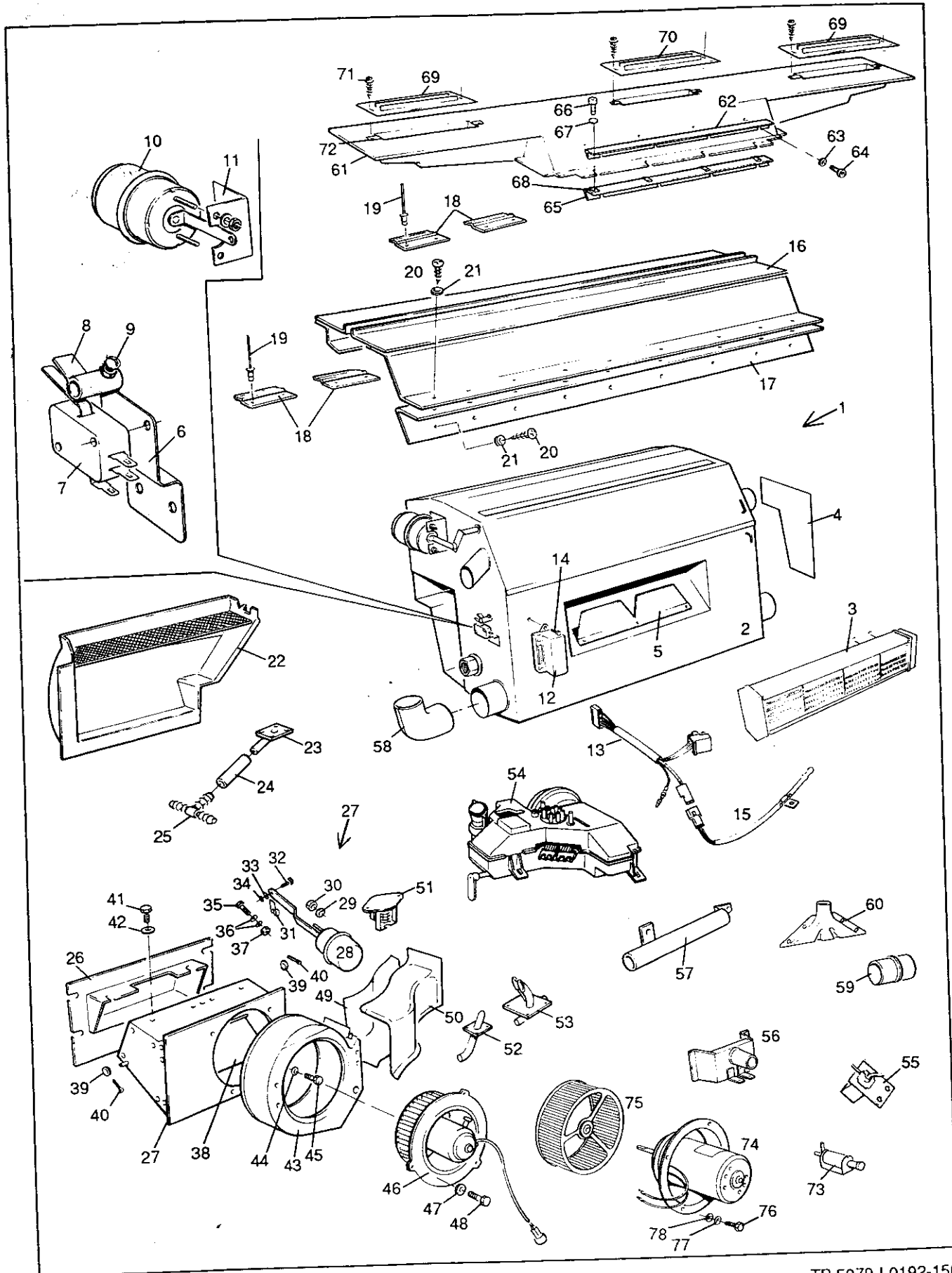
## AIR CONDITIONING

RHD - Blower Unit  
Cars from 1985

Illus No.	Part Number	Description	Qty	Remarks
22	89.20062	Plenum chamber assembly	1	
-	-	Sound insulation	as reqd	
-	691883	Adhesive	as reqd	
-	691342	Air drying neoprene	as reqd	
-	692317	Rivet, 1/8 in. dia., copper	4	
-	627.000.0804	Screw, Posi, No.8 x 1/2 in.	4	
23	89.20645	Drain tube assembly	1	Plenum chamber drain
-	110859	Rivet, 1/8 in.	4	Drain tube assembly to plenum
24	691951	Drain tubing	as reqd	} See also section 7.5A
25	692789	Tee piece	1	
26	89.20106	Air inlet panel	1	
-	89.25836	Air inlet panel	1	For later blower motor and fan
-	692089	Screw, M8 x 16	3	} Air inlet panel to bulkhead
-	690270	Washer, plain, 1 in. OD.	5	
-	692067	Washer, shakeproof, M8	5	
-	692077	Nut, M8	2	
27	89.20078	Blower distribution box assembly	1	
28	89.16457	Vacuum motor	1	
29	692064	Washer, shakeproof, M4	2	} Vacuum motor to distribution box
30	691938	Nut, No.8 UNC	2	
31	89.20085	Lever, recirculation flap	1	
32	692228	Screw, M4 x 10	1	} Lever to vacuum motor
33	692074	Nut, M4	1	
34	692314	Nut, Nyloc, M4	1	
35	693046	Screw, M4 x 20	1	} Lever closing
36	692054	Washer, plain, M4	2	
37	692314	Nut, Nyloc, M4	1	
38	-	Recirculation flap	1	
39	692056	Washer, plain, M6	2	
40	110823	Splitpin, 3/64 in. x 1/2 in.	2	
-	691342	Air drying neoprene	as reqd	
41	692262	Screw, M6 x 12	2	} Air inlet panel to distribution box
42	692056	Washer, plain, M6	2	
43	89.20098	Blower housing, metal	1	
-	89.21702	Blower housing, metal	1	EFI cars. Made from 89.20098
-	89.25811	Blower housing, GRP	1	For later blower motor and fan
44	692054	Washer, plain, M4	4	} Blower housing to distribution box
45	692228	Screw, M4 x 10	4	
-	692184	'Loctite'	as reqd	
46	89.20100	Blower motor and fan assembly	1	
47	692056	Washer, plain, M6	3	} Blower assembly to housing
48	692262	Screw, M6 x 12	3	
-	691342	Air drying neoprene	as reqd	
49	89.20059	Inlet duct, front section	1	
-	89.25822	Inlet duct, front section	1	For later blower motor and fan
50	89.20060	Inlet duct, rear section	1	
-	89.25823	Inlet duct, rear section	1	For later blower motor and fan
-	692527	Edge clip	8	

# AIR CONDITIONING

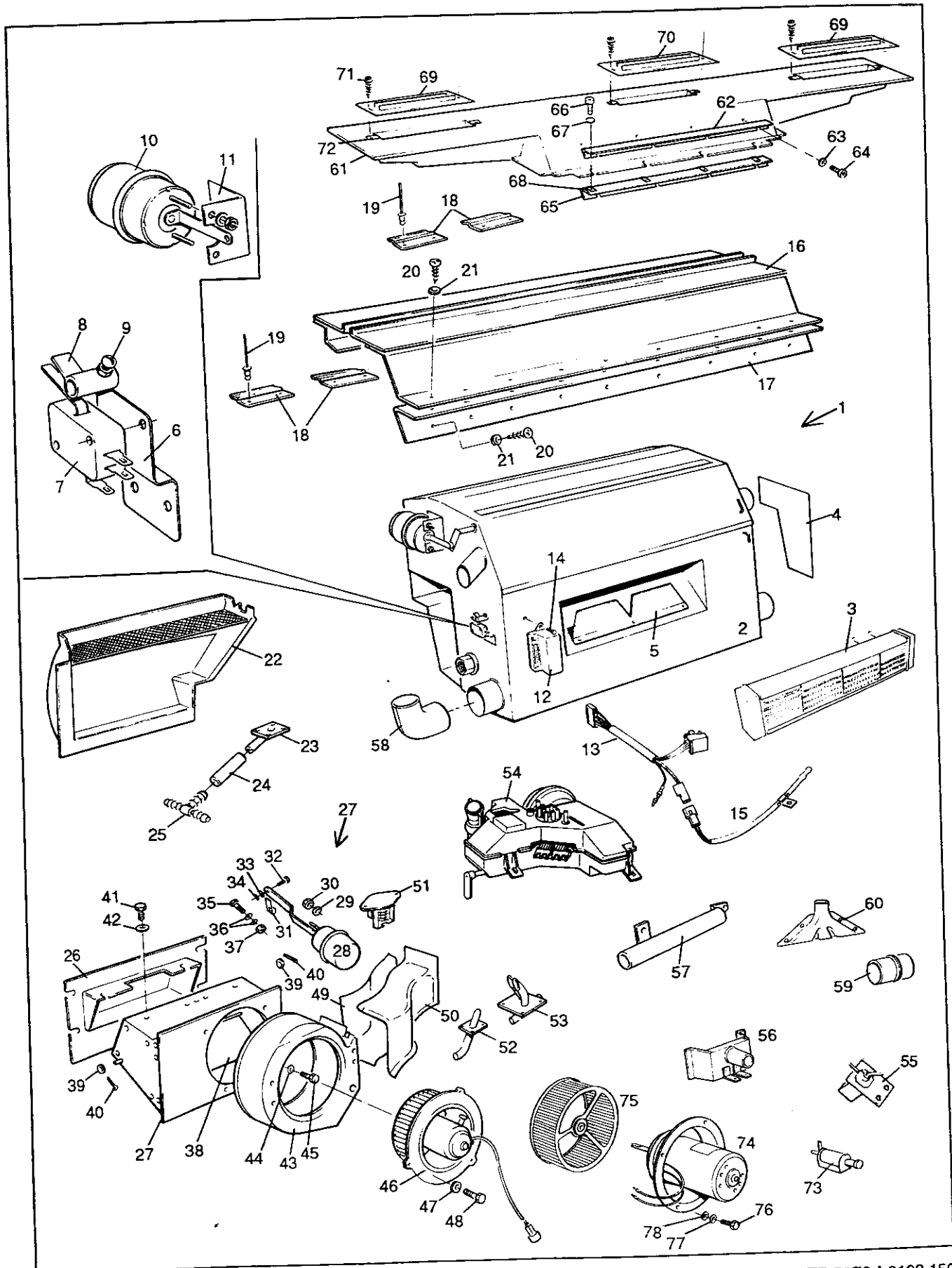
RHD - Blower Unit  
Cars from 1985





# AIR CONDITIONING

RHD - Blower Unit  
Cars from 1985





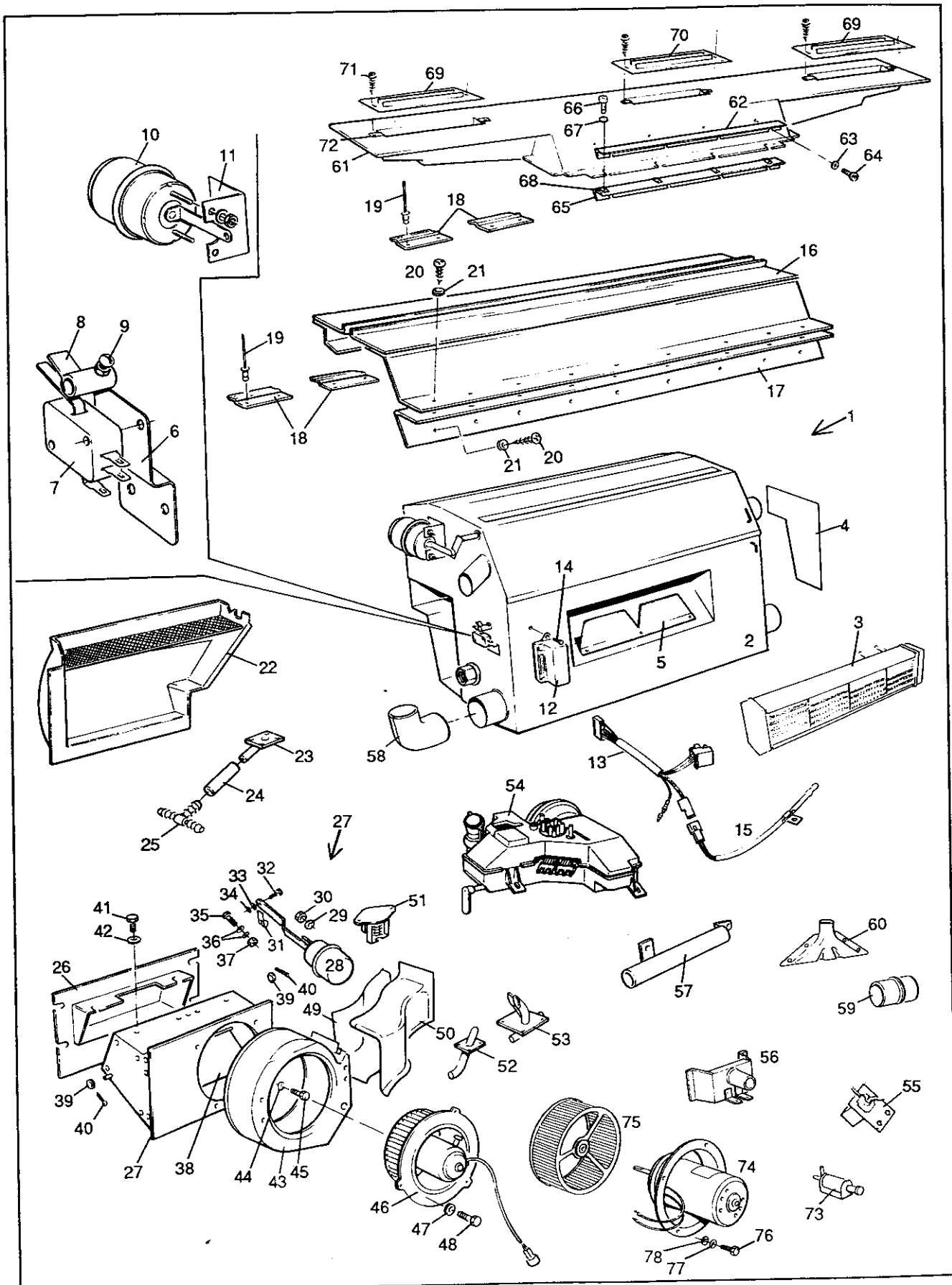
## AIR CONDITIONING

RHD - Blower Unit  
Cars from 1985

Illus No.	Part Number	Description	Qty	Remarks
-	692279	Pipe, vacuum, black	as reqd	
-	020.037.0189	'P' clip	2	Vacuum pipes to main unit
-	627.000.0804	Screw, Pozi., pan head, No.8 x 1/2 in.	2	
-	122422	Washer, plain, 3/16 in.	2	'P' clip to main unit
-	020.037.0189	'P' clip	1	
-	627.000.0804	Screw, Pozi., pan head, No.8 x 1/2 in.	1	Conduit to blower assembly
-	122422	Washer, plain, 3/16 in.	1	
-	08.21067	Tee piece	as reqd	
-	692433	Junction piece, 4 way	2	
-	691469	Shear pin	1	Use as pipe blank
-	692004	Silicone sealant	as reqd	Blank to pipe
-	691950	Tube	as reqd	
-	89.11871	Elbow	3	
-	692133	Sealer	as reqd	Elbows and sensor to pipe
-	020.037.0189	'P' clip	2	Pipe elbow to long elbow
56	89.11388	In-car sensor	1	
-	691728	Screw, Pozi., pan head, No.6 x 3/8 in.	2	
-	692320	Air trunking, 1.1/4 in. ID., PVC, wire reinforced	as reqd	
-	693389	Air trunking, 1.1/4 in. ID., Kopex type	as reqd	Cars with VF instruments
-	89.12192	'P' clip	1	Trunking to cross member
-	627.000.0804	Screw, Pozi., pan head, No.8 x 1/2 in.	1	'P' clip to cross member
-	122422	Washer, plain, 3/16 in.	1	'P' clip to cross member
-	89.13384	Y Junction moulding	2	
-	89.12192	'P' clip	1	Trunking to inlet duct
-	627.000.0804	Screw, Pozi., pan head, No.8 x 1/2 in.	1	'P' clip to inlet duct
-	122422	Washer, plain, 3/16 in.	1	'P' clip to inlet duct
-	692321	Air trunking, 2 in. ID., PVC, wire reinforced	as reqd	
-	693388	Air trunking, 2 in. ID., Kopex type	as reqd	Cars with VF instruments
57	89.19866	Heater tube	1	
-	692213	Screw, M8 x 12	1	Heater tube to bulkhead cross-member
-	692260	Bolt, M8 x 70	1	
-	692047	Washer, spring, M8	2	
-	692057	Washer, plain, M8	1	
-	692077	Nut, M8	1	
-	89.11942	Facia air outlet	4	Modify to suit car
-	69.21987	Facia air outlet, outer	2	Cars with vacuum flourescent instruments.
-	69.21986	Facia air outlet, centre	2	
-	89.22148	Adaptor, air trunking to outer air outlet	2	From chassis no.13505 approx
-	89.12556	Bracket, socket mounting	1	
-	692317	Rivet, 1/8 in. dia., copper	5	
-	539.000.0808	Screw, Pozi., pan head, No.8 x 1 in.	2	
-	-	Harness	1	See section 6.3D

# AIR CONDITIONING

RHD - Blower Unit  
Cars from 1985





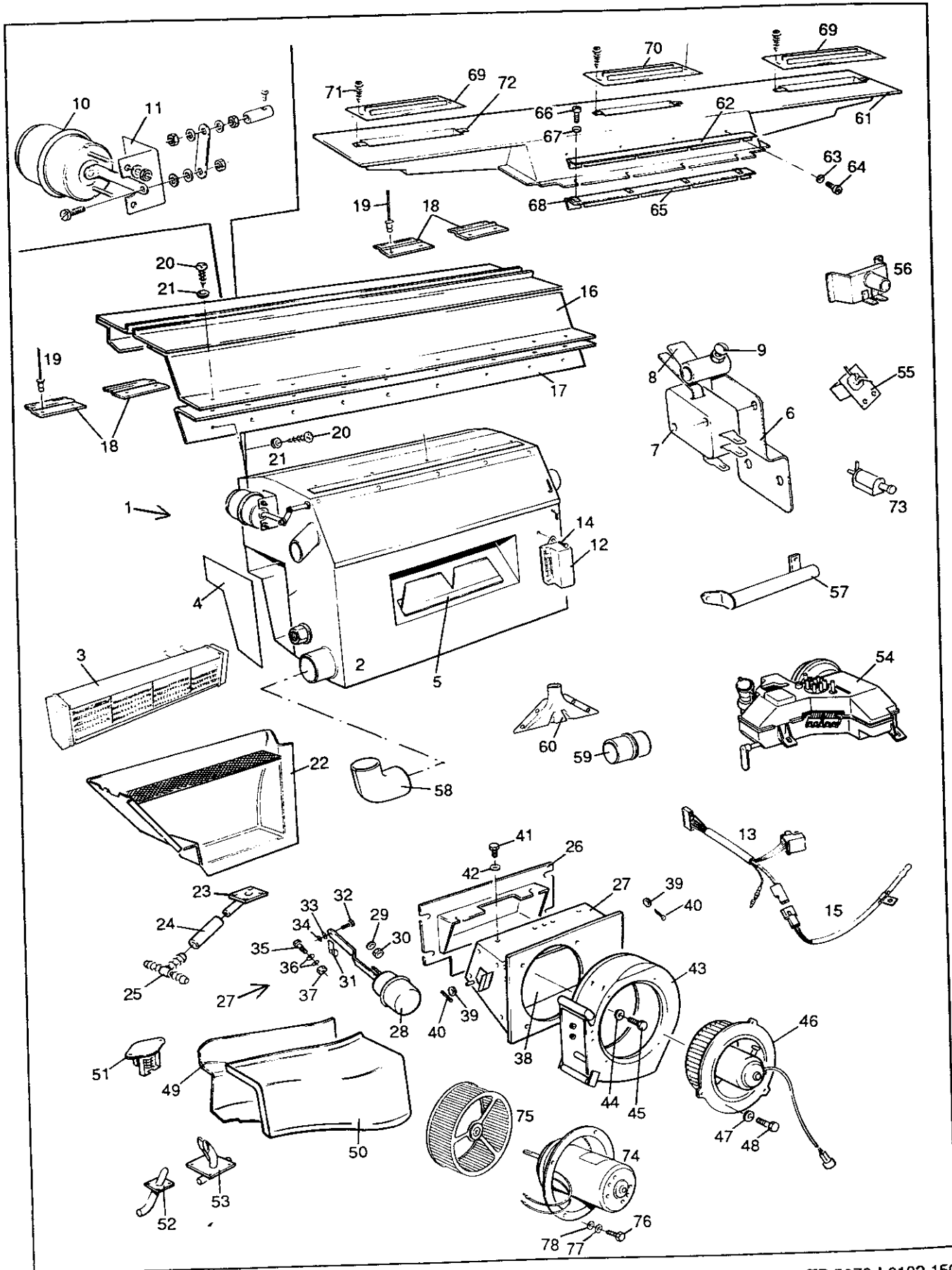
## AIR CONDITIONING

RHD - Blower Unit  
Cars from 1985

Illus No.	Part Number	Description	Qty	Remarks
58	89.23217	Elbow, 90°, hot air intake	2	
59	89.23228	Air trunking connector, 53 mm OD, 70 mm long	2	
60	89.22428	Air outlet, fishtail, footwell	2	
-	89.22578	Bracket, fishtail air outlet	2	
-	550.000.1410	Pop rivet, 1/8 in. Air outlet to bracket	4	
-	692090	Screw, M5 x 12	2	
-	692045	Washer, spring, M5	2	
-	692055	Washer, plain, M5	2	
61	89.22124	Demist duct assembly	1	Cars with Vacuum Fluorescent instruments. From chassis no. 13505 approx.
62	69.20542	Fixing angle, crash pad support	1	
63	692054	Washer, plain, M4	4	
64	692126	Screw, M4 x 8	4	
65	89.22150	Fixing angle, demist duct to air conditioning unit	1	
66	691782	Screw, PK, No.6 x 3/8 in.	9	
67	692054	Washer, plain, M4	9	
68	692172	Spire clip, No.6	4	
-	692004	Sealer, demist duct to main air conditioning unit	as reqd	
69	89.22457	Demist duct assembly, side, 9.1 in. long	2	
70	89.22458	Demist duct assembly, centre, 7.1 in. long	1	
71	691782	Screw, PK, No. 6 x 3/8 in.	6	
72	692172	Spire clip, No.6	6	
73	89.26545	Vacuum valve	1	Later cars from June 1989. Replaces 1 off 07.14870, item 55
-	89.26554	Mounting bracket for vacuum valve	1	Later cars from June 1989
74	89.25793	Blower motor	1	Fitted to certain cars only - (13551 and 13556 ?)
75	89.25806	Fan	1	
76	692315	Screw, M4 x 16	3	
77	692064	Washer, shakeproof, M4	3	
78	692054	Washer, plain, M4	3	
-	691342	Air drying neoprene	as reqd	

# AIR CONDITIONING

LHD - Blower Unit  
Cars from 1985



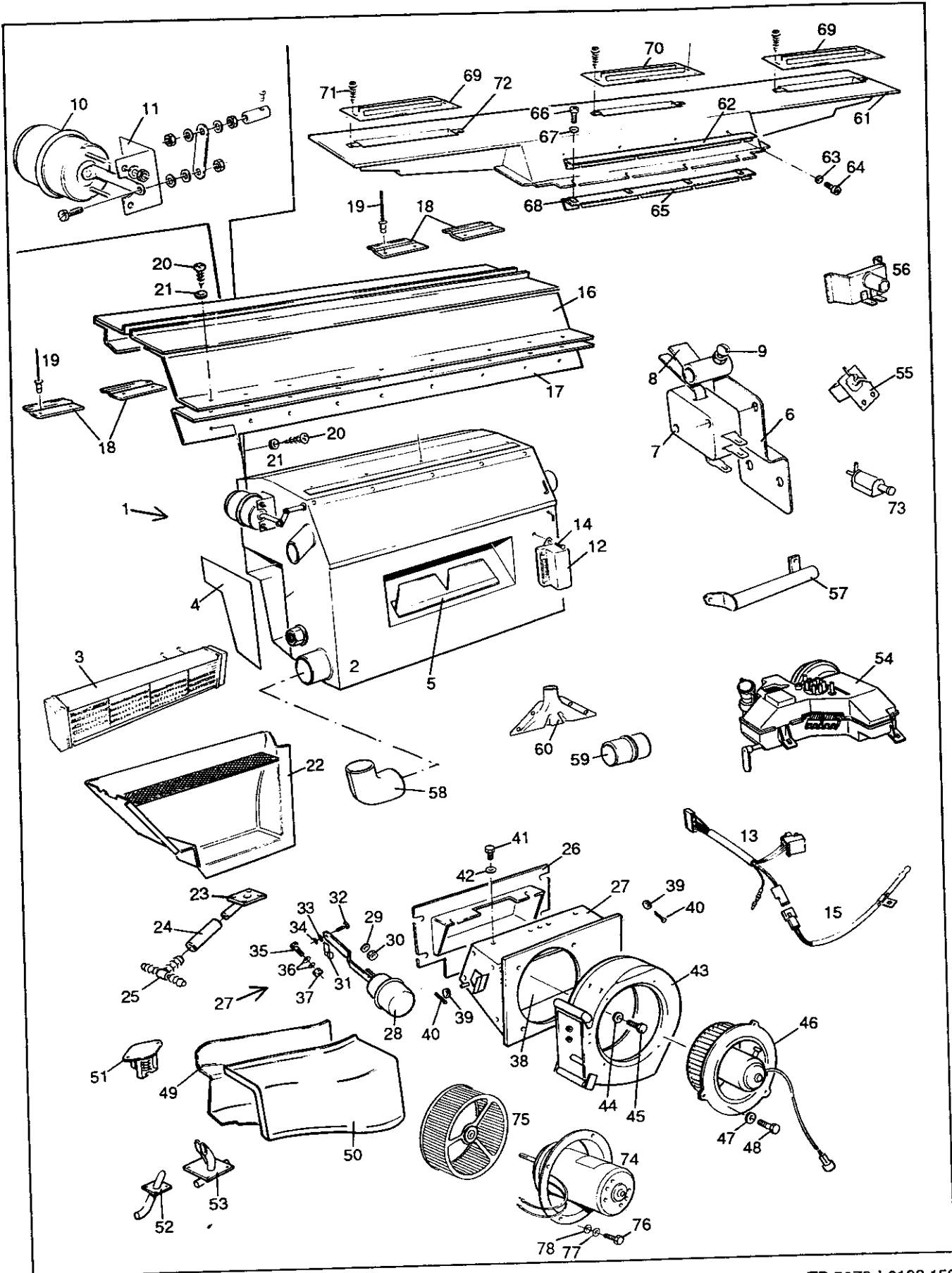
## AIR CONDITIONING

LHD - Blower Unit  
Cars from 1985

Illus No.	Part Number	Description	Qty	Remarks
1	89.20857	Air conditioning main unit assembly	1	
2	89.11661	Air conditioning main unit	1	Unmodified
-	89.16458	Servo, footwell and facelevel vents	2	
3	89.20045	Heater matrix	1	
4	89.16808	Blanking plate	1	
-	691342	Air drying neoprene	as reqd	
-	692317	Rivet, 1/8 in., copper	7	
5	89.13564	Hot air restrictor	1	Main flap
6	89.14708	Mounting bracket, microswitch	1	Qty. 2
-	692317	Pop rivet, 1/8 in. dia., copper	2	Qty. 4
7	095.038.0107	Microswitch	1	Qty. 2 } From
-	691160	Screw, 6BA x 3/4 in.	2	Qty. 4 } October
-	691348	Washer, plain, 6BA	2	Qty. 4 } 1989
-	691350	Washer, shakeproof, 6BA	2	Qty. 4 } Switch
-	691347	Nut, 6BA	2	Qty. 4 } to bracket
8	89.16584	Operating lever, microswitch	1	
9	692126	Screw, M4 x 8	1	
10	89.20165	Servo, demist duct	1	
11	89.20086	Bracket	1	
-	691401	Pop rivet, 1/8 in.	2	
-	89.20167	Lever, demist flap	1	Servo to demist flap
-	692228	Screw, M4 x 10	1	
-	692314	Nut, Nyloc, M4	1	
-	89.20787	Lever assembly, mixer flap	1	
-	89.20571	Footwell outlet	1	
-	691401	Pop rivet, 1/8 in.	4	} Fixed to side of casing.
-	89.23301	Seal strip, 30 mm wide x 6 mm thick	as reqd	} Not VF instruments.
-	691883	Adhesive	as reqd	Air conditioning unit top flap
-	89.11468	Gasket, main unit	as reqd	Seal to flap
-	691883	Adhesive	1	Made from 691732
-	89.14302	Distance-piece, air conditioning unit	as reqd	
-	690407	Washer, large, plain, 5/16 in. ID	4	
-	692135	Nut, Nyloc, M8	4	Air conditioning unit
-	691950	Drain tube, 100mm long	4	to bulkhead
-	89.11871	Elbow	2	
-	691950	Drain tube, 300mm long	2	
-	020.037.0189	'P' clip	2	
-	627.000.0804	Screw, Pozi, pan head, No.8 x 1/2 in.	2	'P' clip
-	122422	Washer, plain, 3/16 in.	2	} to chassis
-	069.037.0140	Grommet	2	Drain tube through tunnel
-	691851	Insulation tape	as reqd	Main unit pipes
12	37.19385	Thermostat control unit	1	
13	37.19387	Harness	1	
14	627.000.0803	Screw, pozi, pan head, No.8 x 3/8 in.	2	
15	37.19386	Sensor probe	1	
-	692397	Grommet, probe through casing	1	
16	89.20143	Demist duct assembly	1	
17	89.20848	Angle bracket	1	Demist duct } Not on cars
18	89.20849	Clip	2	to main } with VF inst.
19	550.000.1410	Rivet, 1/8 in., clip to air conditioning unit	4	air
20	691112	Screw, No.6 x 3/8 in.	9	conditioning
21	692055	Washer, plain, M5	9	unit } Not on cars
-	692004	Sealer, demist duct to main air conditioning unit	as reqd	} with VF inst.

# AIR CONDITIONING

LHD - Blower Unit  
Cars from 1985



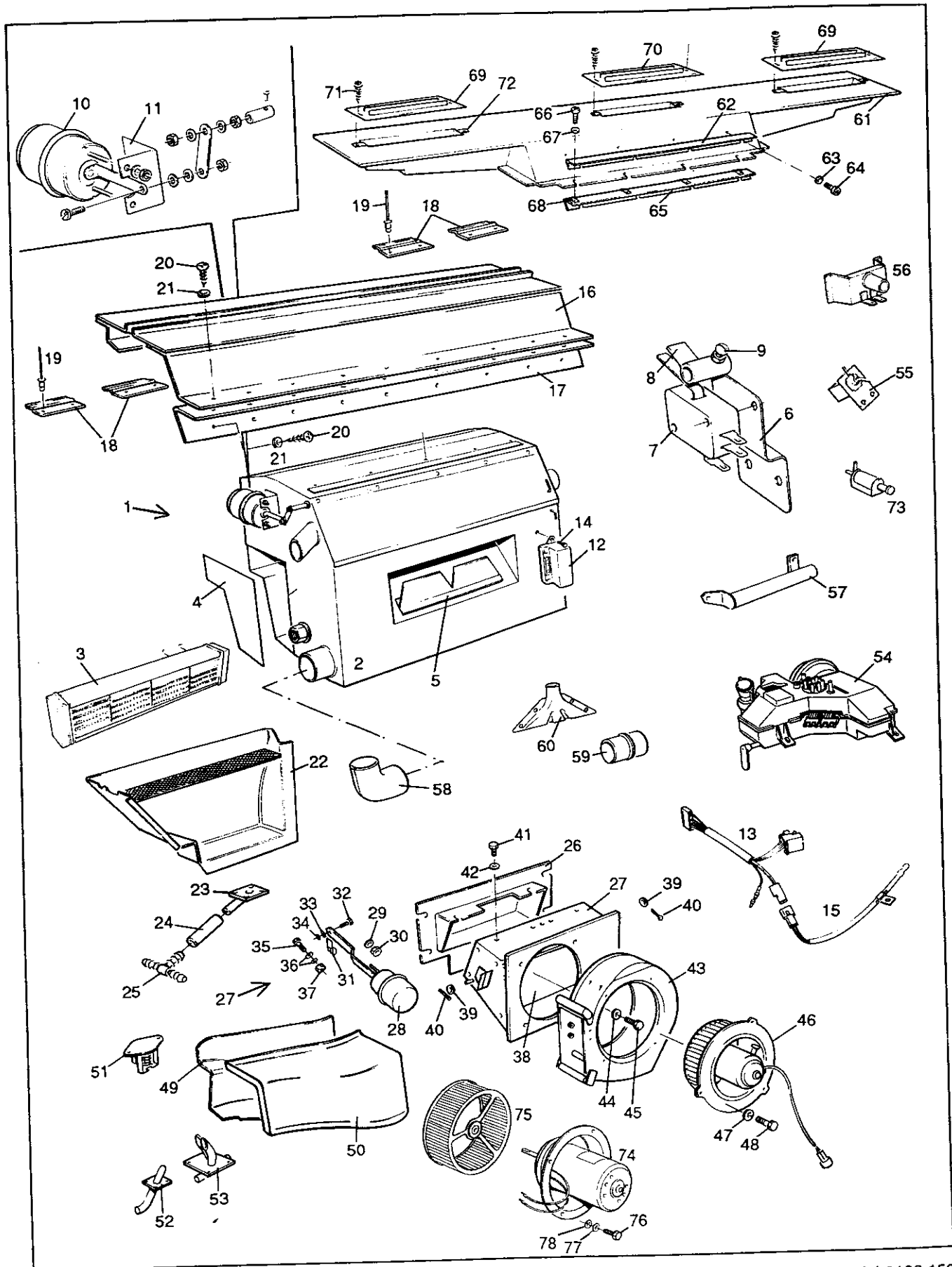
## AIR CONDITIONING

LHD - Blower Unit  
Cars from 1985

Illus No.	Part Number	Description	Qty	Remarks
22	89.20061	Plenum chamber assembly	1	
-	-	Sound insulation	as reqd	
-	691883	Adhesive	as reqd	
-	691342	Air drying neoprene	as reqd	
-	692317	Rivet, 1/8 in. dia., copper	4	
-	627.000.0804	Screw, Posi, No.8 x 1/2 in.	4	
23	89.20645	Drain tube assembly	1	Plenum chamber drain
-	110859	Rivet, 1/8 in.	4	Drain tube assembly to plenum
24	691951	Drain tubing	as reqd	} See also } section 7.5A
25	692789	Tee piece	1	
26	89.20107	Air inlet panel	1	} For later blower motor and fan
-	89.25827	Air inlet panel	1	
-	692089	Screw, M8 x 16	3	
-	690270	Washer, plain, 1 in. OD.	5	
-	692067	Washer, shakeproof, M8	5	
-	692077	Nut, M8	2	
27	89.20077	Blower distribution box assembly	1	
28	89.16457	Vacuum motor	1	} Vacuum motor } to distribution box
29	692064	Washer, shakeproof, M4	2	
30	691938	Nut, No.8 UNC	2	} Lever to vacuum motor
31	89.20085	Lever, recirculation flap	1	
32	692228	Screw, M4 x 10	1	
33	692074	Nut, M4	1	
34	692314	Nut, Nyloc, M4	1	
35	693046	Screw, M4 x 20	1	
36	692054	Washer, plain, M4	2	} Lever closing
37	692314	Nut, Nyloc, M4	1	
38	-	Recirculation flap	1	
39	692056	Washer, plain, M6	2	
40	110823	Splitpin, 3/64 in. x 1/2 in.	2	
-	691342	Air drying neoprene	as reqd	
41	692262	Screw, M6 x 12	2	} Air inlet panel } to distribution box
42	692056	Washer, plain, M6	2	
43	89.20097	Blower housing, metal	1	
-	89.21703	Blower housing, metal	1	EFI cars. Made from 89.20097
-	89.25810	Blower housing, GRP	1	For later blower motor and fan
44	692054	Washer, plain, M4	4	} Blower housing } to } distribution box
45	692228	Screw, M4 x 10	4	
-	692184	'Loctite'	as reqd	
46	89.20099	Blower motor and fan assembly	1	} Blower assembly to housing
47	692056	Washer, plain, M6	3	
48	692262	Screw, M6 x 12	3	
-	691342	Air drying neoprene	as reqd	
49	89.20057	Inlet duct, front section	1	} For later blower motor and fan
-	89.25820	Inlet duct, front section	1	
50	89.20058	Inlet duct, rear section	1	} For later blower motor and fan
-	89.25821	Inlet duct, rear section	1	
-	692527	Edge clip	8	

# AIR CONDITIONING

LHD - Blower Unit  
Cars from 1985





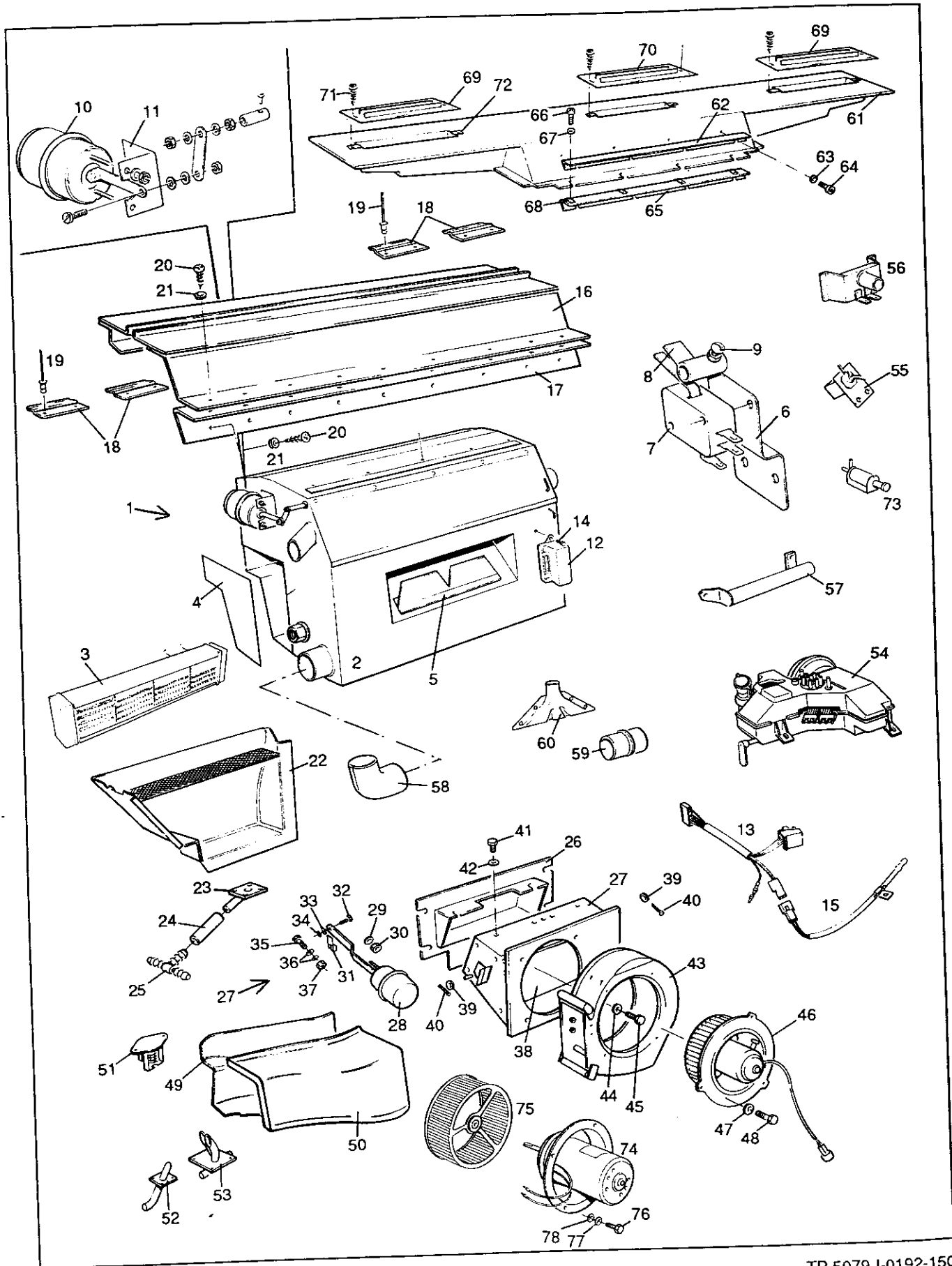
**AIR CONDITIONING**

**LHD - Blower Unit  
Cars from 1985**

Illus No.	Part Number	Description	Qty	Remarks
51	89.11386	Resistor assembly	1	
-	692004	Silicone sealant	as reqd	
-	691729	Spire clip, No 6	2	
-	627.000.0605	Screw, pozi., No.6 x 5/8 in.	2	
-	-	Sound insulation	as reqd	
-	691883	Adhesive	as reqd	
-	691342	Air drying neoprene	as reqd	
-	692317	Rivet, 1/8 in. dia., copper	7	
52	89.11183	Air bleed assembly, single pipe	1	Carb. cars. Used on EFI cars fitted with later blower motor/fan
53	89.21690	Air bleed assembly, twin pipes	1	EFI cars. Not used with later blower motor and fan
-	692004	Silicone sealant	as reqd	
-	692205	Rivet, 1/8 in. dia., copper	4	
-	691950	Bleed tube	as reqd	Blower to elbow
-	89.11871	Elbow } Not with later blower motor and fan	1	
-	691950	Bleed tube	as reqd	Elbow to programmer
-	692133	Sealer	as reqd	
-	89.20187	Programmer mounting bracket assembly	1	
-	89.20182	Pressure pot assembly	1	
54	89.26621	Programmer assembly	1	Remove 22mm from chimney Main feed and programmer to heater valve
-	691504	Vacuum pipe	as reqd	
-	692279	Vacuum pipe, black	as reqd	Main vacuum pipes Vacuum pipe through bulkhead
-	692133	Sealer	as reqd	
-	692466	Grommet	1	
-	08.21067	Tee-piece, vacuum pipe	1	
-	89.11882	Link mounting plate assembly	1	
-	692242	Screw, Pozi, pan head, M5 x 12	2	
-	690257	Washer, plain, 3/16 in. ID x 3/4 in. OD x 16 SWG	2	
-	692065	Washer, shakeproof, M5	2	
-	89.11845	Link rod, 2BA	1	Threaded right and left hand
-	125525	Ball-joint, C/W peg, RH	1	
-	125526	Ball-joint, C/W peg, LH	1	
-	112941	Locknut, 2BA, RH	1	Joint to rod
-	110980	Locknut, 2BA, LH	1	
-	690484	Nut, Nyloc, 2BA	1	Link peg to programmer
-	690484	Nut, Nyloc, 2BA	1	
-	89.15723	Lever, control unit	1	Link peg to main unit
-	692267	Bolt, M6 x 30	1	
-	692151	Nut, Nyloc, M6	1	
-	627.000.0803	Screw, Pozi, pan head, No.8 x 3/8 in.	4	Programmer attach
-	89.13934	Mounting bracket assembly	1	
-	692317	Pop rivet 1/8 in. dia., copper	3	Electro-vacuum switches Mounting bracket attach
55	07.14870	Electro-vacuum switch No.6	2	
-	07.14870	Electro-vacuum switch No.4	1	One only from June 1989 Marked '4'
-	07.14870	Electro-vacuum switch No.2	1	
-	07.14870	Electro-vacuum switch No.7	1	From October 1989 Fixed to dash support tubes
-	89.17784	Mounting plate, flat	1	
-	692090	Screw, M5 x 12 pan head	8	Vacuum switches fixing
-	692055	Washer, plain, M5	8	
-	692045	Washer, shakeproof, M5	8	

# AIR CONDITIONING

LHD - Blower Unit  
Cars from 1985







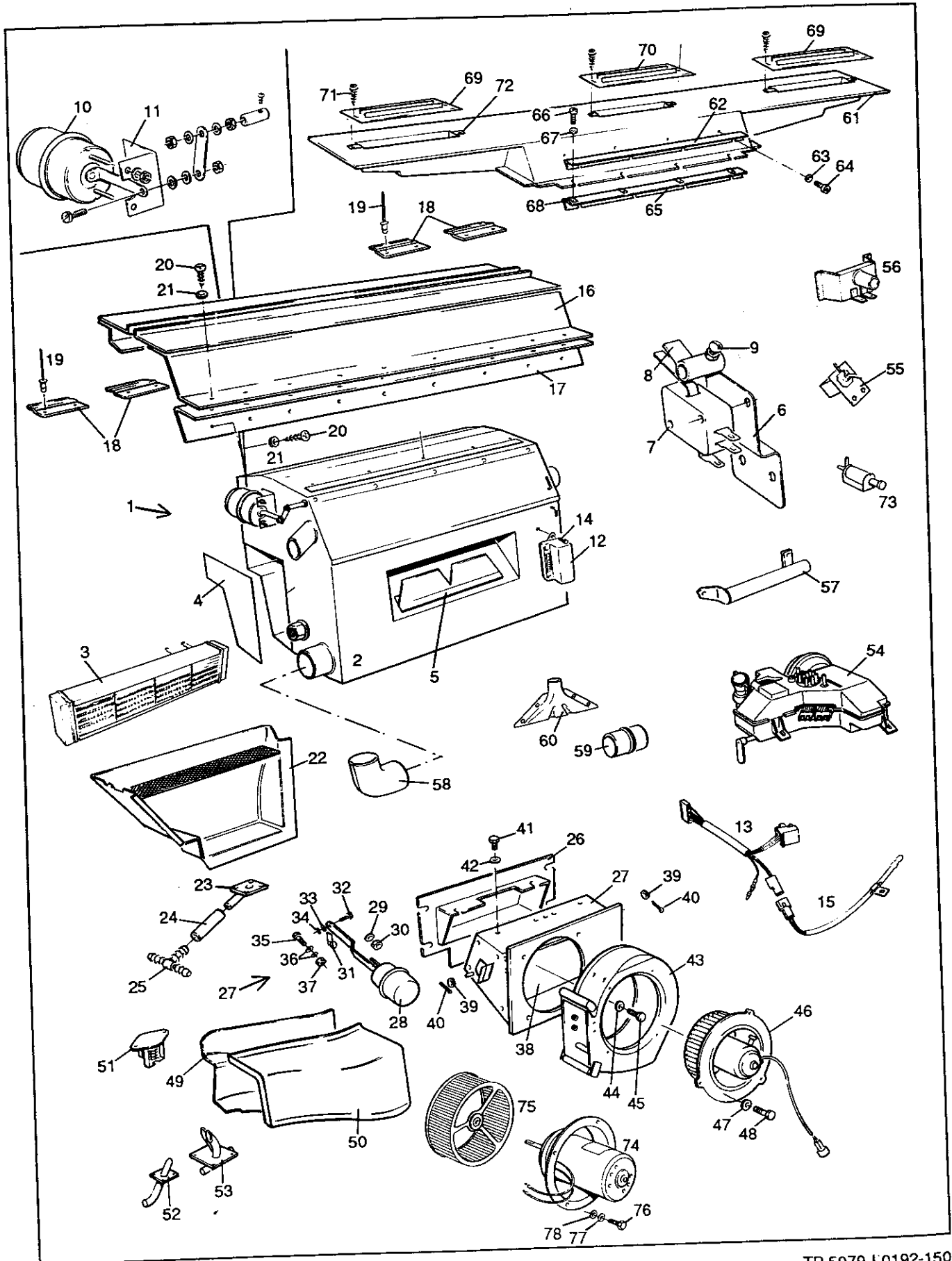
**AIR CONDITIONING**

**LHD - Blower Unit  
Cars from 1985**

Illus No.	Part Number	Description	Qty	Remarks
-	692279	Pipe, vacuum black	as reqd	
-	020.037.0189	'P' clip	2	Vacuum pipes to main unit
-	627.000.0804	Screw, Pozi., pan head, No.8 x 1/2 in.	2	
-	122422	Washer, plain, 3/16 in.	2	'P' clip to main unit
-	020.037.0189	'P' clip	1	
-	627.000.0804	Screw, Pozi., pan head, No.8 x 1/2 in.	1	Conduit to blower assembly
-	122422	Washer, plain, 3/16 in.	1	
-	08.21067	Tee piece	as reqd	'P' Clip to blower
-	692433	Junction piece, 4 way	2	
-	691469	Shear pin	1	Use as pipe blank
-	692004	Silicone sealant	as reqd	
-	691950	Tube	as reqd	Blank to pipe
-	89.11871	Elbow	3	
-	692133	Sealer	as reqd	Elbows and sensor to pipe
-	020.037.0189	'P' clip	2	
56	89.11388	In-car sensor	1	Pipe elbow to long elbow
-	691728	Screw, Pozi., pan head, No.6 x 3/8 in.	2	
-	692320	Air trunking, 1.1/4 in. ID., PVC, wire reinforced	as reqd	Cars with VF instruments
-	693389	Air trunking, 1.1/4 in. ID, Kopex type	as reqd	
-	89.12192	'P' clip	1	Trunking to cross member
-	627.000.0804	Screw, Pozi., pan head, No.8 x 1/2 in.	1	
-	122422	Washer, plain, 3/16 in.	1	'P' clip to cross member
-	89.13384	Y Junction moulding	2	
-	89.12192	'P' clip	1	Trunking to inlet duct
-	627.000.0804	Screw, Pozi., pan head, No.8 x 1/2 in.	1	
-	122422	Washer, plain, 3/16 in.	1	'P' clip to inlet duct
-	692321	Air trunking, 2 in. ID., PVC, wire reinforced	as reqd	
-	693388	Air trunking, 2 in. ID, Kopex type	as reqd	Cars with VF instruments
57	89.19867	Heater tube	1	
-	692260	Bolt, M8 x 70	2	Heater tube to bulkhead cross-member
-	692047	Washer, spring, M8	2	
-	692057	Washer, plain, M8	2	
-	692077	Nut, M8	2	Modify to suit car
-	89.11942	Facia air outlet	4	
-	69.21987	Facia air outlet, outer	2	Cars with vacuum flourescent instruments.
-	69.21986	Facia air outlet, centre	2	
-	89.22148	Adaptor, air trunking to outer air outlet	2	From chassis no.13505 approx
-	89.12556	Bracket, socket mounting	1	
-	692317	Rivet, 1/8 in. dia., copper	5	See section 6.3D
-	539.000.0808	Screw, Pozi., pan head, No.8 x 1 in.	2	
-	-	Harness	1	

# AIR CONDITIONING

LHD - Blower Unit  
Cars from 1985



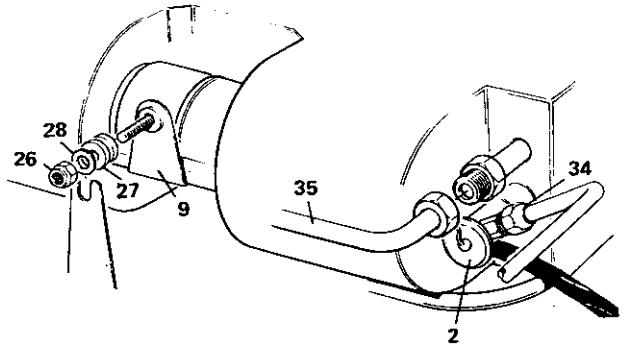
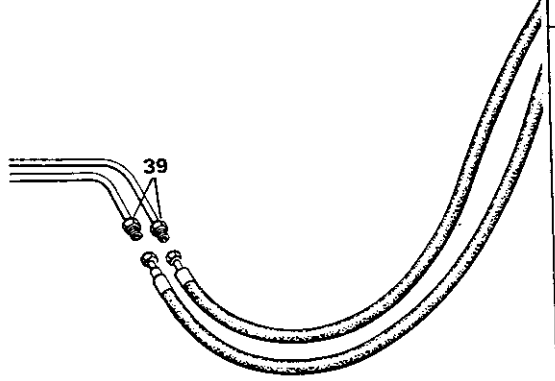
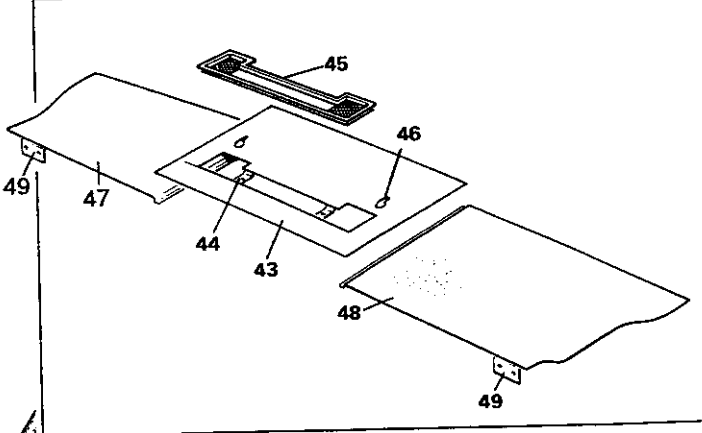
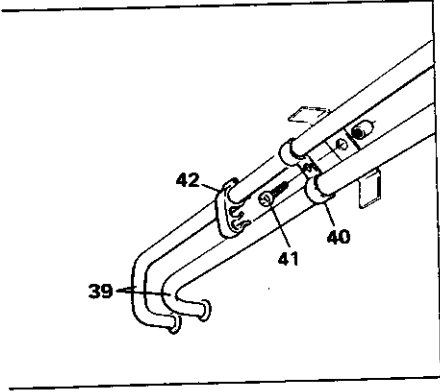
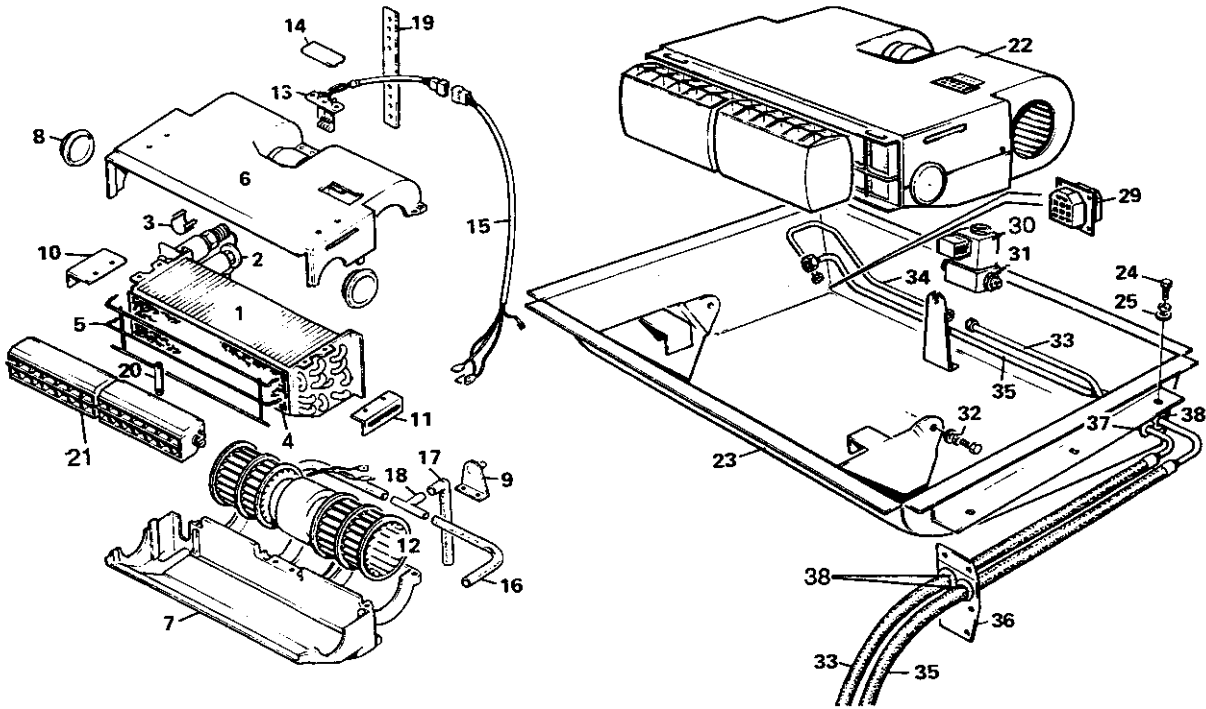
## AIR CONDITIONING

LHD - Blower Unit  
Cars from 1985

Illus No.	Part Number	Description	Qty	Remarks
58	89.23217	Elbow, 90°, hot air intake	2	
59	89.23228	Air trunking connector, 53 mm OD, 70 mm long	2	
60	89.22428	Air outlet, fishtail, footwell	2	
-	89.22578	Bracket, fishtail air outlet	2	
-	550.000.1410	Pop rivet, 1/8 in. Air outlet to bracket	4	
-	692090	Screw, M5 x 12	2	} Bracket to chassis cross tubes
-	692045	Washer, spring, M5	2	
-	692055	Washer, plain, M5	2	
61	89.22125	Demist duct assembly	1	Cars with Vacuum Fluorescent instruments. From chassis no. 13505 approx.
62	69.20542	Fixing angle, crash pad support	1	
63	692054	Washer, plain, M4	4	
64	692126	Screw, M4 x 8	4	
65	89.22150	Fixing angle, demist duct to air conditioning unit	1	
66	691782	Screw, PK, No.6 x 3/8 in.	9	
67	692054	Washer, plain, M4	9	
68	692172	Spire clip, No.6	4	
-	692004	Sealer, demist duct to main air conditioning unit	as reqd	
69	89.22457	Demist duct assembly, side, 9.1 in. long	2	
70	89.22458	Demist duct assembly, centre, 7.1 in. long	1	
71	691782	Screw, PK, No. 6 x 3/8 in.	6	} Demist duct fixings
72	692172	Spire clip, No.6	6	
73	89.26545	Vacuum valve	1	Later cars from June 1989. Replaces 1 off 07.14870. item 55
-	89.26554	Mounting bracket for vacuum valve	1	Later cars from June 1989
74	89.25793	Blower motor	1	} Cars from chassis no. 13543
75	89.25805	Fan	1	
76	692315	Screw, M4 x 16	3	
77	692064	Washer, shakeproof, M4	3	
78	692054	Washer, plain, M4	3	
-	691342	Air drying neoprene	as reqd	} Blower motor to housing

# AIR CONDITIONING

## Rear System Pack





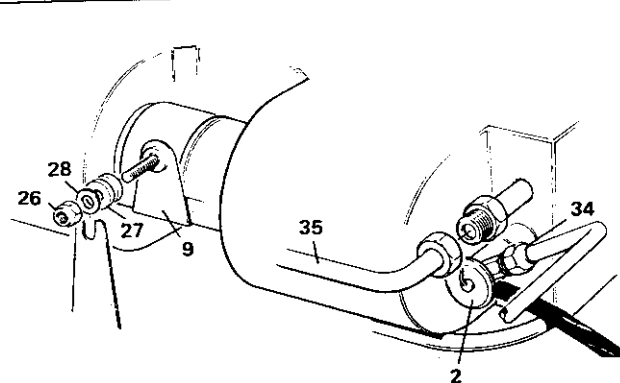
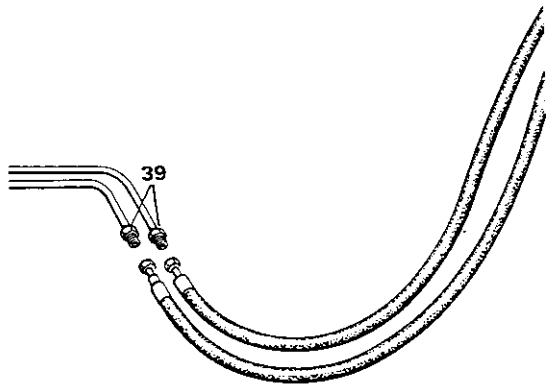
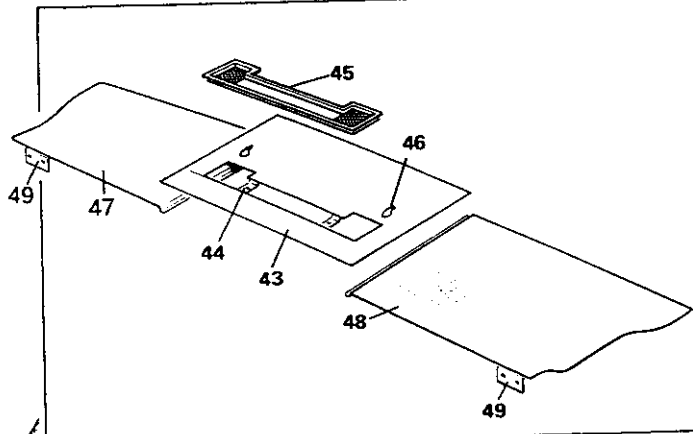
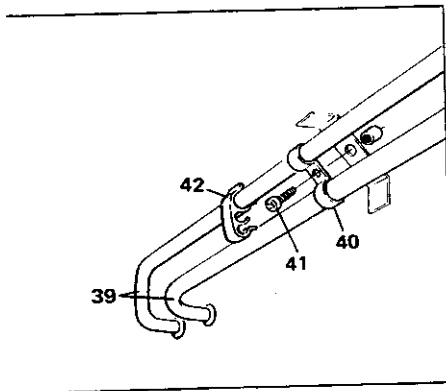
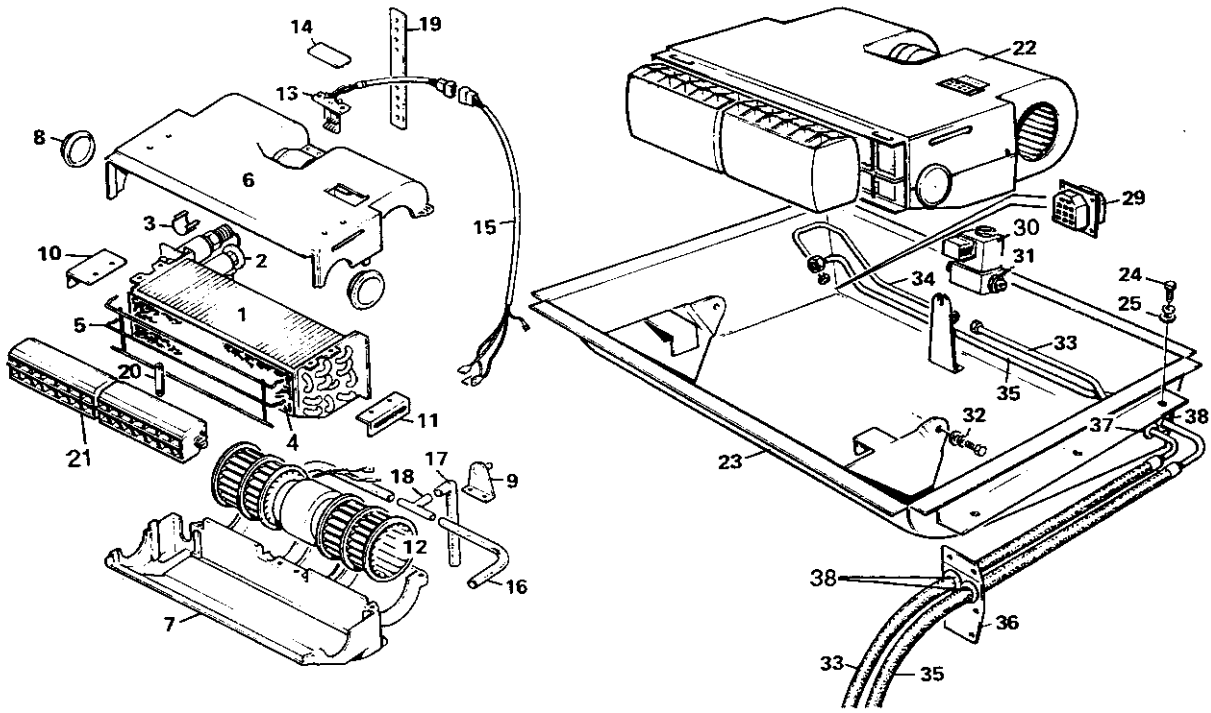
**AIR CONDITIONING**

**Rear System Pack**

Illus No.	Part Number	Description	Qty	Remarks
1	89.18093	Evaporator coil	1	Spares for item 22
2	89.18094	Expansion valve	1	
3	89.18095	Clip	1	
4	89.18096	Evaporator foam	1	
5	89.18097	Evaporator grid	1	
6	89.18098	Evaporator case, upper	1	
7	89.18099	Evaporator case, lower	1	
8	89.18100	Evaporator case, side plug	2	
9	89.18101	Evaporator case, rear bracket	1	
10	89.18102	Evaporator coil, side bracket	1	
11	89.18103	Evaporator coil, side bracket	1	
12	89.18104	Blower motor and fans assembly	1	
13	89.18105	Blower resistor	1	
14	89.18106	Blower resistor cover	1	
15	89.18107	Blower resistor lead	1	
16	89.18108	Drain tube	2	
17	89.18109	Drain tube, to housing	1	
18	89.18110	Tee-piece	1	
19	89.18111	Strap	1	
20	89.18113	Plate	1	
21	89.18112	Air outlet	2	
-	89.18173	Clip	1	
-	89.17205	Bush, air outlet pivot, outer	2	
-	692256	Screw, PK, No.4 x 3/8 in.	2	Air outlet attach
22	89.17117	Air conditioning unit	1	Cars from chassis nos.13540/1
23	89.17126	Housing assembly	1	
-	89.24011	Housing assembly	1	
-	691898	Tubing, housing drain	as reqd	
-	692182	Tee-piece, 8 mm	1	
24	692090	Screw, M5 x 12	6	Cars up to 1983
25	690257	Washer, plain, 3/16 in. ID	6	
26	692076	Nut, M6	1	
27	690150	Spacer washer, 9/32 in. ID	2	
-	692046	Washer, spring, M6	1	
28	692056	Washer, plain, M6	1	
29	37.17150	Harness, rear air-conditioning unit	1	
-	37.17354	Harness, rear air-conditioning	1	
30	89.17118	Solenoid valve	1	
31	692664	Adaptor	2	
-	690641	Washer, copper, 1/4 in. BSP.	2	
32	692088	Screw, M6 x 16	2	
-	692046	Washer, spring, M6	2	
-	692056	Washer, plain M6	2	
33	89.17143	Hose assembly, tunnel pipe to solenoid valve	1	
34	89.17142	Pipe assembly, solenoid valve to expansion valve	1	
35	89.17144	Hose assembly, rear unit to tunnel pipe	1	
-	691851	Pipe insulation tape	as reqd	

# AIR CONDITIONING

## Rear System Pack



## AIR CONDITIONING

## Rear System Pack



Illus No.	Part Number	Description	Qty	Remarks
36	89.17331	Plate, rear bulkhead	1	} Plate to bulkhead
-	692547	Loctite	as reqd	
-	692353	Screw, M4 x 8	4	
-	692054	Washer, plain, M4	4	
-	692044	Washer, spring, M4	4	
37	122010	Grommet, 1/4 in. ID for 3/4 in. hole	1	
38	020.037.0182	Grommet, 1/2 in. ID for 1.3/8 in. hole	3	
39	-	Tunnel pipes	2	See section 8.1
-	692665	Grommet, tunnel pipes, 3/8 in. ID for 1 in. hole	2	
-	020.037.0182	Grommet, tunnel pipes, 1/2 in. ID for 1.3/8 in. hole	1	
40	080.034.0111	Pipe clip	5	} Pipe clips to chassis
41	690191	Screw, 2BA x 1/2 in.	5	
-	119488	Washer, spring, 3/16 in.	5	
-	691976	Rivnut, 2BA	5	
42	692663	Pipe clip, tunnel pipes to brake pipes	7	
43	83.17084	Trim panel centre	1	
44	83.17086	Bracket, panel fixing	2	
-	627.000.0604	Screw, No.6 x 1/2 in.	2	
45	83.17206	Bezel assembly	1	} Bezel to trim panel
-	110854	Washer, plain, 4BA	10	
-	690077	Nut, plain, 4BA	10	
-	83.25927	Finisher plate	2	Leather trimmed to suit car
46	476142	Hook, untrimmed	2	
-	110750	Screw, No.4 x 1/2 in.	4	
47	83.17088	Speaker trim panel, RH	1	} Cars to chassis no. 13539
48	83.17093	Speaker trim panel, LH	1	
-	83.25554	Speaker trim panel, RH	1	} Cars from chassis no. 13540
-	83.25553	Speaker trim panel, LH	1	
49	83.17090	Bracket, panel fixing, front	2	
-	83.17089	Bracket, panel fixing, rear	2	
-	69.12848	Speaker grille	2	Cars to chassis no. 13539
-	83.26205	Speaker grille	2	Cars from chassis no. 13540
-	87.17225	Wooden spacer/speaker mounting, 15 mm thick	2	
-	88.18608	Foam spacer/speaker mounting, 7 mm thick	4	} Cars from 1983
-	88.18609	Distance tube, 24 mm long	6	
-	37.17241	Rear speaker	2	
-	37.23922	Rear speaker	2	Cars from chassis no. 13540
-	692668	Screw, M4 x 30	6	} Rear speakers attach to trim panels
-	692054	Washer, plain, M4	6	
-	692314	Nut, Nyloc, M4	6	
-	692460	Stud, self clinching, M4 x 30	6	
-	110727	Screw, No.6 x 1/2 in.	6	Cars from 1983
-	653.000.0603	Screw, No.6 x 3/8 in.	4	Cars from chassis no. 13540
-	110750	Screw, No.4 x 1/2 in.	6	Rear speakers to trim panels Speaker trim panels to rear bulkhead Speaker trim panels to air conditioning housing





**MISCELLANEOUS**

**Contents**

**MISCELLANEOUS** 9

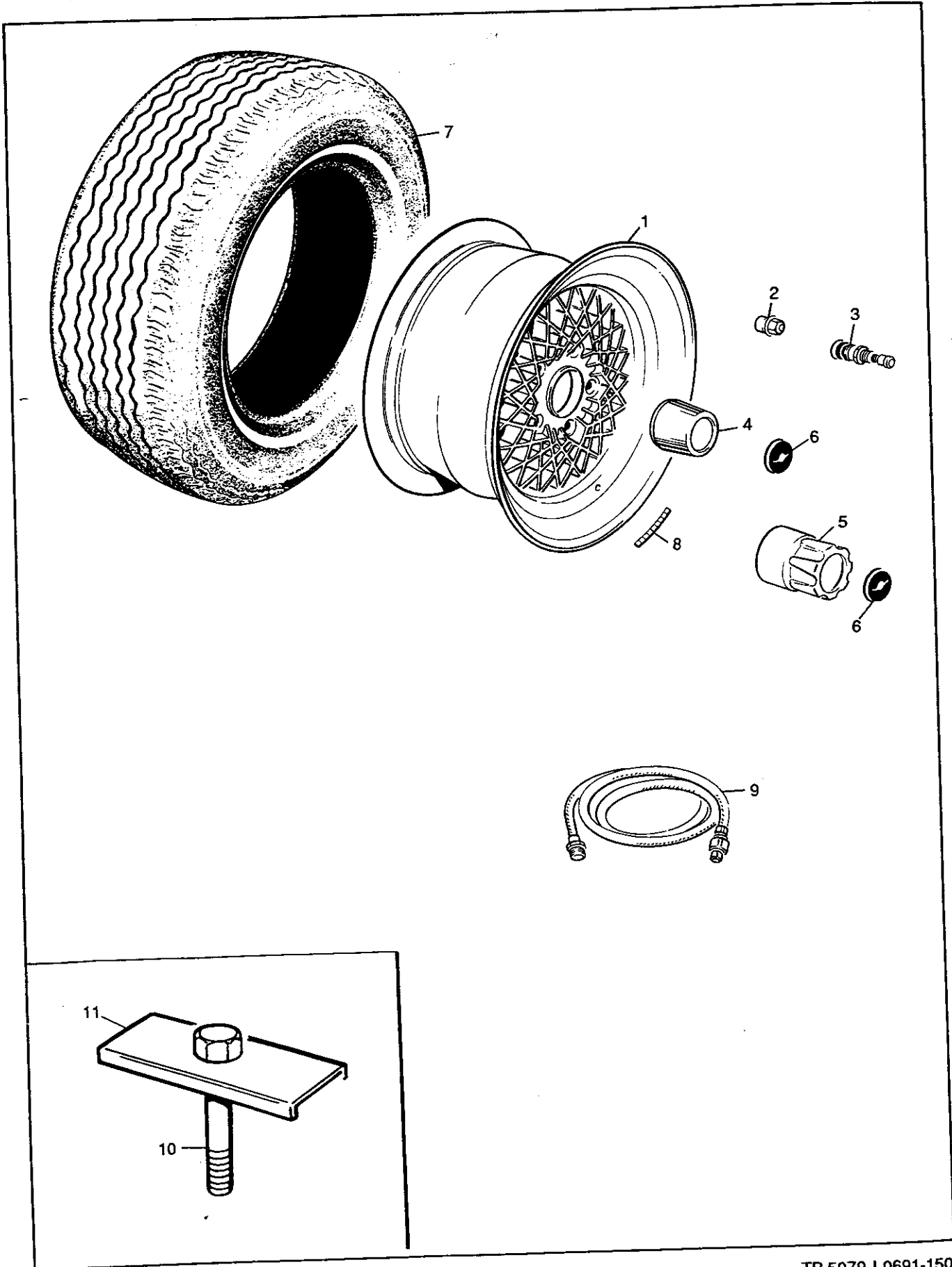
**Optional Equipment** 9.1



**SECTION 9**  
**MISCELLANEOUS**

MISCELLANEOUS

Optional Equipment and Kits





## MISCELLANEOUS

## Optional Equipment and Kits

Illus No.	Part Number	Description	Qty	Remarks
1	36.23618	Road wheel (7J x 15H2)	5	
2	36.23619**	Wheel nut	20	(Items marked ** are normally supplied with road wheels.)
3	36.18436**	Tyre valve, threaded stem	5	
4	36.23620**	Wheel centre, metal, silver	4	Later cars
5	36.18432	Wheel centre, metal, silver	4	Early cars
6	36.19068	Wheel centre badge, round	4	
-	692454	'Loctite'	as reqd	Badge to wheel centre
7	36.17631	Tyre, 255/60VR x 15 (Now obsolete)	5	Use 36.23581 in sets of 5
-	36.23581	Tyre, 255/65VR x 15	5	
8	095.036.0101	Wheel weight strip, stick-on	as reqd	Cut to weight required
-	23.15060	Wheel stud, front	10	
-	26.10786	Wheel stud, rear	10	
-	26.10626	Rear hub	2	
9	36.12807	Spare tyre extension hose, see-through	1	
-	36.21483	Spare tyre extension hose, rubber, 90 deg.end	1	From 1986
10	36.19048	Spare wheel retaining bolt, 1/2 in. UNF x 3.1/4 in.	1	
11	36.19079	Retaining plate	1	
-	97.19371	Tyre label, USA, 255/60VR15	1	Tyre pressures: 36
-	40.13980	Fire extinguisher	1	
-	627.000.0804	Screw, No.8 x 1/2 in.	4	
-	83.17179	Cover, trim panel, fire extinguisher	1	
-	83.17183	Housing, fire extinguisher	1	RHD
-	83.17181	Housing, fire extinguisher	1	LHD
-	83.17184	Housing trim ring, fire extinguisher	1	
-	690734	Screw, 4BA x 1 in.	6	} Trim ring to housing
-	691623	Washer, 1/8 in. ID	6	
-	115521	Nut, 4BA	6	
-	78.17581	Finisher, petrol aperture, RH	1	} Painted body colour
-	78.17582	Finisher, petrol aperture, LH	1	
-	692359	Screw, No. 4 x 5/16 in.	24	
-	78.17579	Edge finisher, RH	1	} For cars with vinyl covered roofs.
-	78.17580	Edge finisher, LH	1	
-	692693	Clip	10	
-	68.17978	Striker, fuel filler flap	2	
-	TBA	Fuel filler flap, solid, RH	1	
-	TBA	Fuel filler flap, solid, LH	1	
-	37.18989	Cassette player	1	
-	37.18990	Remote control unit, cassette player	1	
-	37.18991	Radio tuner	1	
-	37.18992	Graphic equalizer	1	
-	37.18993	Amplifier, 20W/20W	2	Use one only when fitting 60W amplifier. Rear speakers.
-	37.18994	Amplifier, 60W/60W, optional	1	} Stacking system from 1982. Note: some cars are fitted with non-standard equipment.
-	80.19000	Centre console wood frame	1	
-	80.18863	Fuse box lid	1	
-	80.19815	Centre console mounting bracket, front	1	
-	80.18861	Radio mounting panel	1	
-	80.18866	Wooden packing	1	
-	692368	Screw, No.4 x 3/4 in.	2	
-	80.18744	Bracket, cable guard	1	
-	-	Lambswool floor rugs, RHD and LHD	1 set	
-	-	Lambswool front seat covers	2	



## MISCELLANEOUS

## Tools and Equipment

Illus No.	Part Number	Description	Qty	Remarks
-	40.14231	Toolkit, complete, comprises:	1	Cars to 1988
-	40.26143	Toolkit, complete, comprises:	1	Cars from chassis nos: 13540/1. (1988)
-	40.14237	Case	1	
-	40.14232	Foam pad, upper	1	
-	40.14233	Foam pad, lower	1	
-	40.14234	Combination spanner, 10 mm	1	
-	40.14235	Combination spanner, 11 mm	1	
-	40.14236	Combination spanner, 1/2 in. AF	1	
-	40.14238	Open ended spanner, 12 mm x 13 mm	1	
-	40.14239	Open ended spanner, 14 mm x 15 mm	1	
-	40.14240	Open ended spanner, 9/16 in. x 5/8 in.	1	
-	40.14241	Open ended spanner, 11/16 in. x 3/4 in.	1	
-	40.14242	Open ended spanner, 2 BA x 4 BA	1	
-	40.14243	Adjustable spanner, 6 in.	1	
-	40.14244	Socket, jack and spark plug	1	
-	40.15614	Socket, 22 mm, wheel nuts	1	For later wheel nuts, up to 1988
-	40.14247	Tee-bar assembly	1	
-	40.14246	Extension	1	
-	40.14256	Ratchet, 1/2 in. drive	1	
-	40.14250	Screwdriver, 4 in. blade	1	
-	40.14251	Screwdriver, 4 in. blade, intermediate	1	
-	40.14252	Screwdriver, 6 in. blade, large	1	
-	800010	Screwdriver, 'Posidriv' No. 1	1	
-	800011	Screwdriver, 'Posidriv' No. 2	1	
-	080.040.0105	Tyre pressure gauge, 5 - 50 lb/in., 0.5 - 3.4 bar	1	
-	40.14248	Torch	1	
-	40.14249	Pliers	1	
-	40.14051	First aid kit	1	
-	000068	Gloves	1 pr	
-	000291	Black tape	1	
-	111760	Grease nipple	1	
-	40.22718	Security spanner, wheel centre, M503	2	Cars from Mid 1985 to 1988
-	095.037.0708	Bulb, 12V, 60/55W	1	
-	37.13274	Bulb, 12V, 55W, H1	1	
-	37.13275	Bulb, 12V, 55W, H2	1	
-	020.037.0703	Bulb, 12V, 5/21W	1	
-	020.037.0704	Bulb, 12V, 21W	1	
-	048.037.0835	Bulb, 12V, 5W	1	
-	069.050.0881	Bulb, 12V, 55W, H3	1	Cars from chassis nos. 13540/1
-	694428	Socket, 21 mm AF, wheel nuts,	1	
-	694156	Allen key, 5 mm AF, wheel centre cap screw	1	
-	37.23420	Fuse, 3 amp	1	
-	37.23422	Fuse, 5 amp	1	
-	37.23424	Fuse, 10 amp	1	Cars from chassis nos: 13540/1. (1988)
-	37.23425	Fuse, 15 amp	1	
-	37.23426	Fuse, 20 amp	1	
-	37.23427	Fuse, 25 amp	1	
-	37.23429	Fuse extraction tool	1	
-	40.14375	Socket, 3/4 in. AF, wheel nuts	1	Early cars with open ended wheel nuts
-	40.20368	Security spanner, wheel centre, M123	2	Early 1985 cars



MISCELLANEOUS

Tools and Equipment

Illus No.	Part Number	Description	Qty	Remarks
-	83.14196	Tool case retainer	1	Cars to chassis no. 13539
-	83.14199	Strap	1	
-	83.25982	Tool case strap	1	Cars from chassis nos.13540/1
-	40.13989	Vehicle jack, scissor type	1	
-	83.23998	Strap, vehicle jack	1	Cars from chassis nos.13540/1
-	40.15379	Warning triangle	1	
-	40.15361	Case, warning triangle	1	Not Japan
-	40.16417	Case, warning triangle	1	
-	83.17364	Case support bracket	1	Japan
-	83.17456	Strap	1	
-	40.14863/3	Driver's instruction book, all models	1	Cars to 1988
-	40.25774	Driver's instruction book, all models	1	
-	43.14866	Workshop manual	1	Cars from 1988
-	43.26291	Parts catalogue	1	
-	43.19423	Service voucher booklet	2	0- 100,000 miles
				0- 160,000 km.





MISCELLANEOUS

Engineering Department

Illus No.	Part Number	Description	Qty	Remarks
-	095.043.0007	DECARBONISING GASKET SET, comprising:		Carburettor engine
-		Gasket, header tank/timing case	1	
-		Gasket, cylinder head	2	
-		Sealing washer	2	
-		Seal plug	4	
-		Gasket, front cover/head	2	
-		Gasket, top cover/head	2	
-		Gasket, cover plate	1	
-		Gasket, exhaust manifold/head	2	
-		Seal 'o' ring, inlet manifold/cylinder head	1	
-		Gasket, carburettor/inlet manifold	1	
-		Gasket, carburettor/airbox	1	
-		O' ring	2	
-	000,000 - 0	Seal strip, air box base	2 mtrs	
-	08.10920	Gasket, exhaust intermediate flange	2	
-	35.17930	Gasket, exhaust intermediate flange	2	USA cars, and all cars from 1983
-	08.14535	Gasket, carburettor/airbox	4	USA cars from 1980
-	095.043.0008	CONVERSION GASKET SET, comprising:		Carburettor engine
-		Cork seal	1	
-		O' ring, cylinder liner	16	
-		Gasket, oil filter/block	1	
-		Gasket, oil filter	1	
-		Gasket, oil pressure relief valve	1	
-		Gasket, timing case/block	1	
-		Gasket, header tank	1	
-		Gasket, oil pump feed	1	
-		Gasket, oil pump mounting	1	
-		Gasket, oil strainer/pump	1	
-		Gasket, sump/block	1	
-		Gasket, water pump/timing cover	1	
-		Sealing washer	3	
-		Oil seal, timing case	2	
-		Washer, drain plug	1	
-		Asbestos string	as reqd	
-		Washer, relief valve	1	
-		O' ring, timing case/block	1	
-		Gasket, cradle plate	2	
-		Oil filler cap seal 'o' ring	1	
-		O' ring, oil pump	1	
-	692125	O' Ring, oil strainer	1	

## MISCELLANEOUS



## Gaskets

Illus No.	Part Number	Description	Qty	Remarks
-	43.26858	DECARBONISING GASKET SET, comprising:		EFI engine
-		Gasket, cylinder head	2	
-		Seal 'O' ring	2	
-		Seal plug	4	
-		Gasket, exhaust manifold/head	2	
-		Seal 'O' ring, inlet manifold/cylinder head	8	
-		'O' ring	2	
-		Gasket, exhaust intermediate flange	2	
-		Seal 'O' ring, cylinder block breather	1	
-		Seal 'O' ring, oil filler cap	1	
-		Seal ring, front covers	28	
-		Sealer	1	
-		Seal 'O' ring, distributor	2	
-		Seal 'O' ring, injectors	16	
-		Seal 'O' ring, small, throttle body	2	
-		Seal 'O' ring, large, throttle body	2	
-		Seal, air hose adaptor/throttle body	2	
-	43.26859	CONVERSION GASKET SET, comprising:		EFI engine
-		Cork seal	2	
-		'O' ring, cylinder liner	16	
-		Gasket, oil filter/block	1	
-		Gasket, oil pressure relief valve	1	
-		Gasket, timing case/block	1	
-		Gasket, header tank	1	
-		Gasket, oil pump feed	1	
-		Gasket, oil pump mounting	1	
-		Gasket, oil strainer/pump	1	
-		Gasket, sump/block	1	
-		Gasket, water pump/timing cover	1	
-		Oil seal, timing case	2	
-		Washer, drain plug	1	
-		'O' ring, timing case/block	1	
-		'O' ring, oil pump	1	
-		Sealer	1	
-	692125	'O' Ring, oil strainer	1	